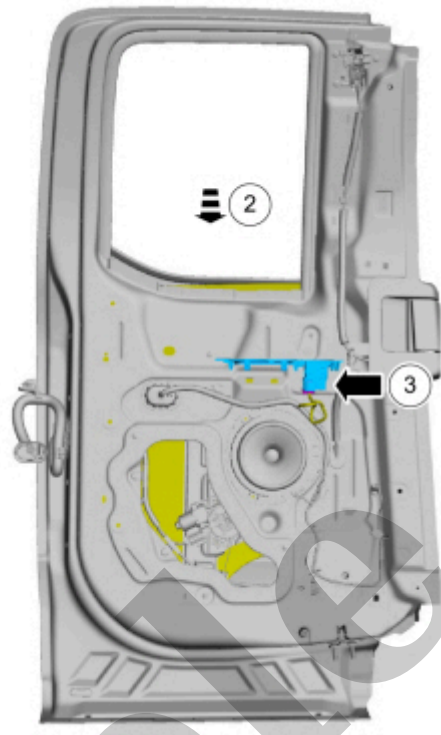
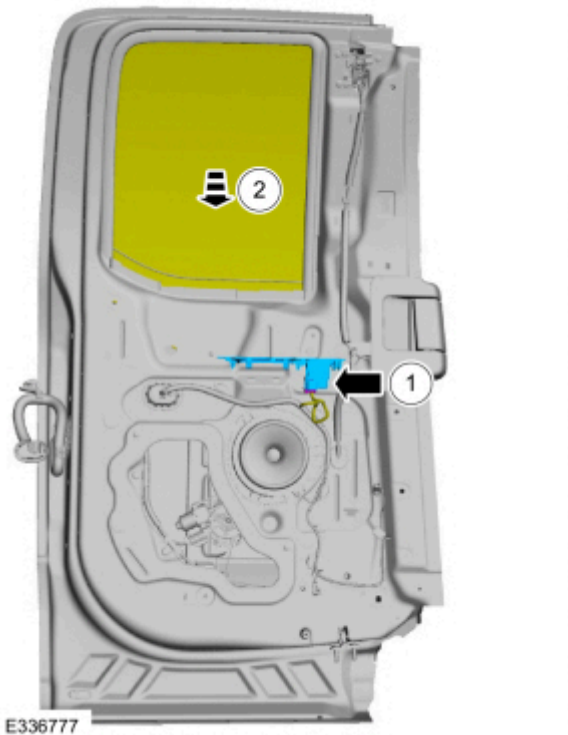


# Your Ultimate Source for OEM Repair Manuals

FactoryManuals.net is a great resource for anyone who wants to save money on repairs by doing their own work. The manuals provide detailed instructions and diagrams that make it easy to understand how to fix a vehicle.

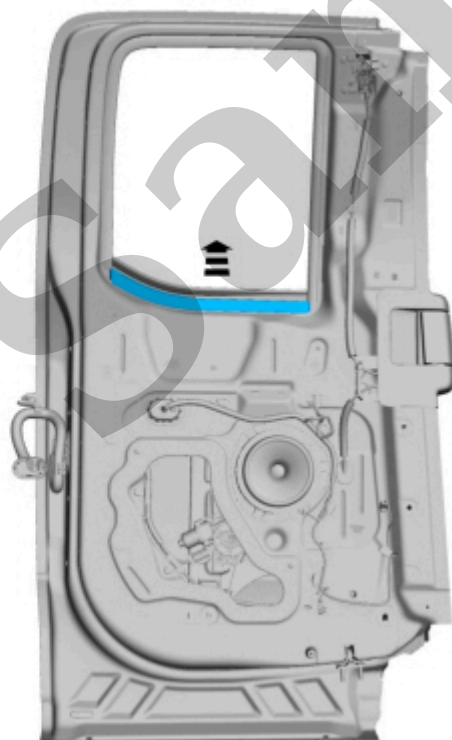
## 1995 FORD Bronco OEM Service and Repair Workshop Manual

[Go to manual page](#)



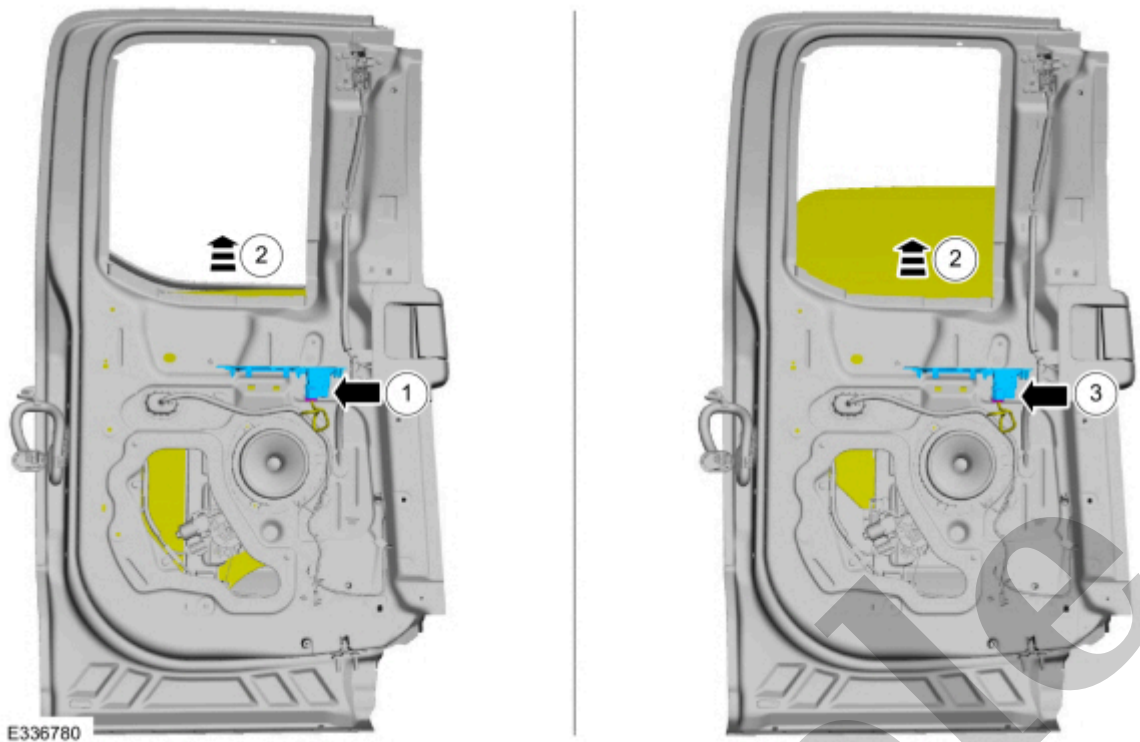
[Click here to learn about symbols, color coding, and icons used in this manual.](#)

6. Remove the rear door inner belt moulding.



[Click here to learn about symbols, color coding, and icons used in this manual.](#)

7. Remove the rear door upper moulding.



[Click here to learn about symbols, color coding, and icons used in this manual.](#)

10. Remove the rear door window glass.

1. Release the rear door window glass retaining clip.

Use the General Equipment: Interior Trim Remover

2. Remove the rear door window glass.



## Rear Door Window Glass - SuperCrew

<b>501-11 Glass, Frames and Mechanisms</b>	<b>2022 F-150</b>
<b>Removal and Installation</b>	<b>Procedure revision date: 10/2/2020</b>

### Rear Door Window Glass - SuperCrew

#### Removal

##### NOTE

Left hand (LH) shown, right hand (RH) similar.

##### NOTE

Removal steps in this procedure may contain installation details.

1. Remove the rear door glass top run.

Refer to: [Rear Door Glass Top Run - SuperCrew](#)(501-11 Glass, Frames and Mechanisms, Removal and Installation).

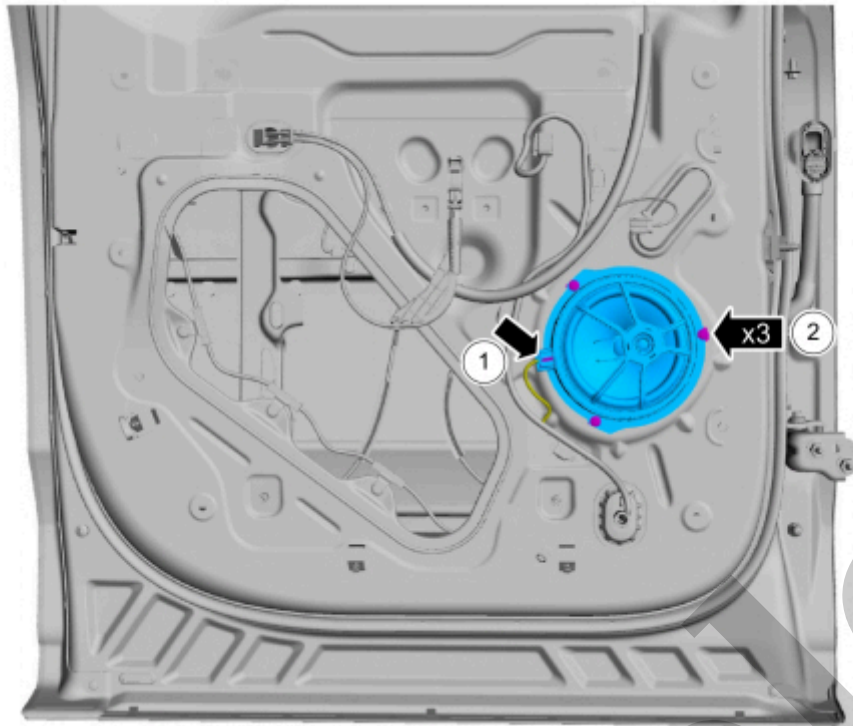
2. Remove the rear door upper moulding.

Refer to: [Rear Door Upper Moulding](#)(501-08 Exterior Trim and Ornamentation, Removal and Installation).

3. Remove the rear door window control switch.

Refer to: [Rear Door Window Control Switch - SuperCrew, Vehicles With: Rear Power Windows](#)(501-11 Glass, Frames and Mechanisms, Removal and Installation).

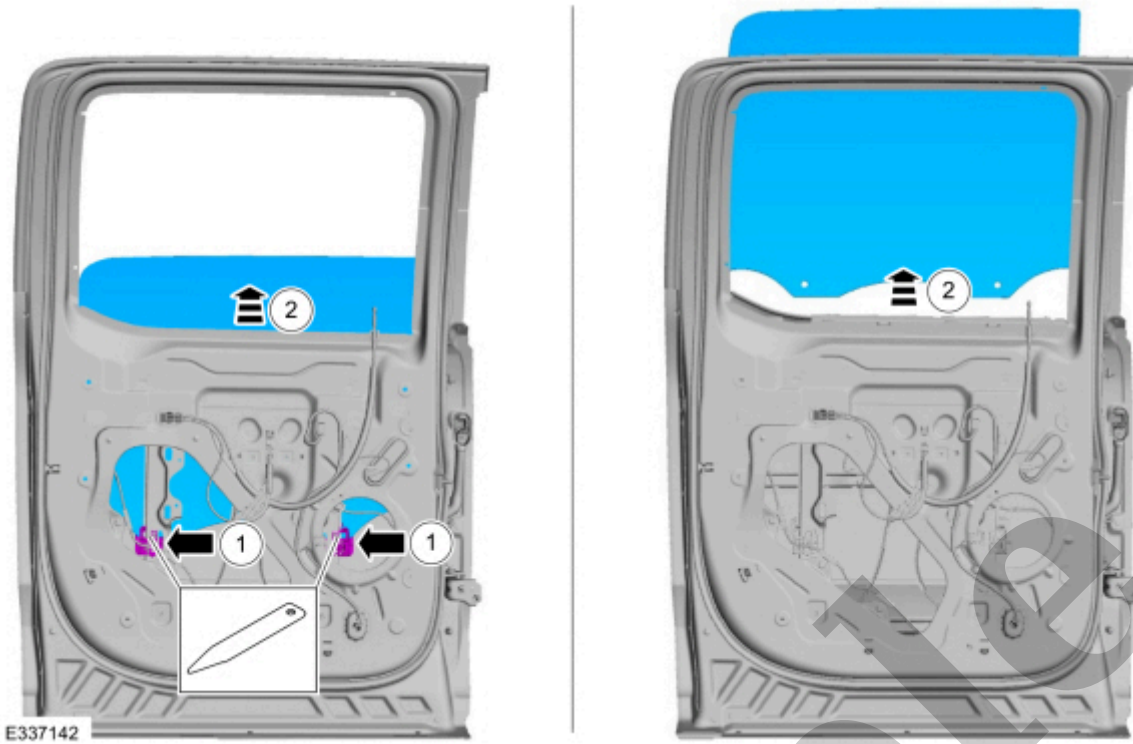
4. Remove the rear door watershield.



E336886

[Click here to learn about symbols, color coding, and icons used in this manual.](#)

6. Raise the rear door window glass to the one third up position.
  1. Connect the rear door window control switch.
  2. Raise the rear door window glass to the one third up position.
  3. Remove the rear door window control switch.



[Click here to learn about symbols, color coding, and icons used in this manual.](#)

### Installation

1. To install, reverse the removal procedure.

Copyright © Ford Motor Company

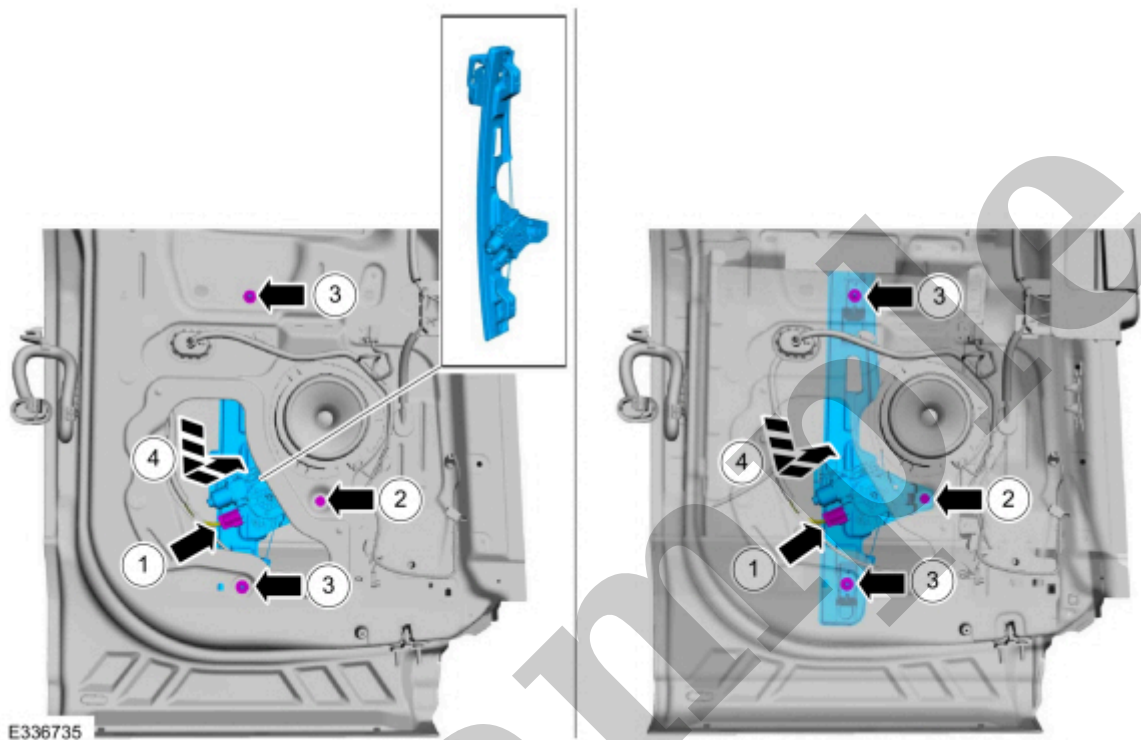
2. Remove the rear door window regulator bolt.

**Torque** : 93 lb.in (10.5 Nm)

3. Remove the rear door window regulator nuts.

**Torque** : 93 lb.in (10.5 Nm)

4. Remove the rear door window regulator and motor.

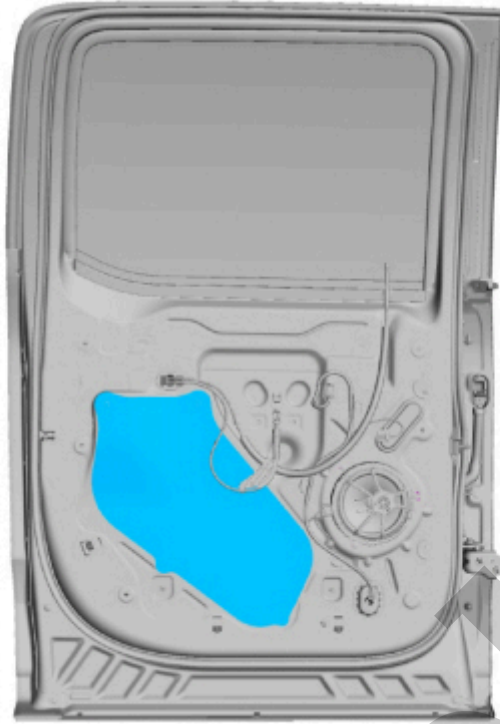


[Click here to learn about symbols, color coding, and icons used in this manual.](#)

## Installation

1. To install, reverse the removal procedure.

Copyright © Ford Motor Company



E334066

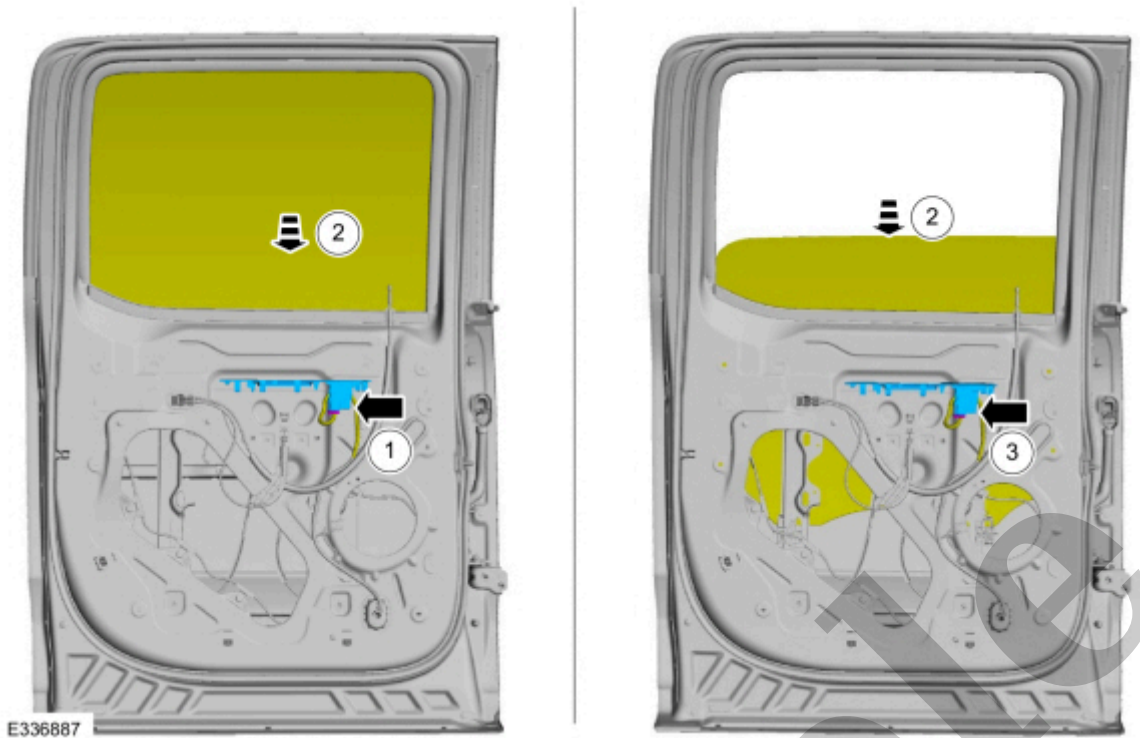
[Click here to learn about symbols, color coding, and icons used in this manual.](#)

4. Remove the rear door speaker.

1. Disconnect the rear door speaker electrical connector.
2. Remove the screws and the rear door speaker.

**Torque** : 22 lb.in (2.5 Nm)





E336887

[Click here to learn about symbols, color coding, and icons used in this manual.](#)

6. Raise the rear door window glass to the full up position and tape in place

1. Release the rear door window glass retaining clips.

Use the General Equipment: Interior Trim Remover

2. Raise the rear door window glass to the full up position.

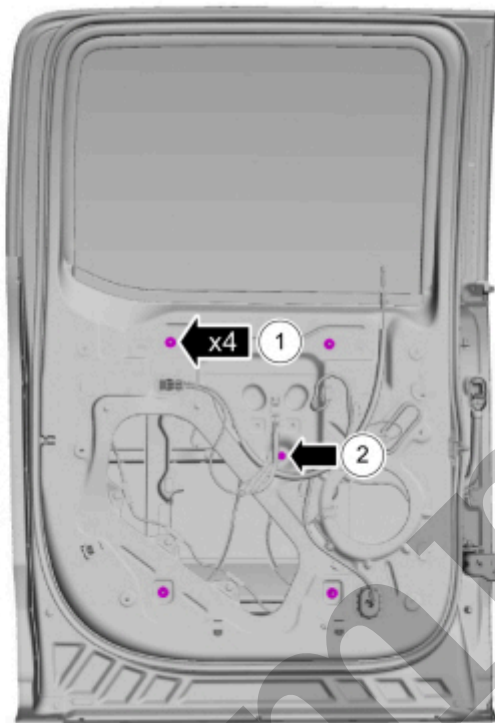
3. Tape the rear door window glass in place.

1. Remove the rear door window regulator nuts.

**Torque** : 93 lb.in (10.5 Nm)

2. Remove the rear door window regulator bolt.

**Torque** : 93 lb.in (10.5 Nm)



E336890

[Click here to learn about symbols, color coding, and icons used in this manual.](#)

9. Remove the rear door window regulator and motor.

1. Disconnect the rear door window regulator motor electrical connector.

2. Remove the rear door window regulator and motor.