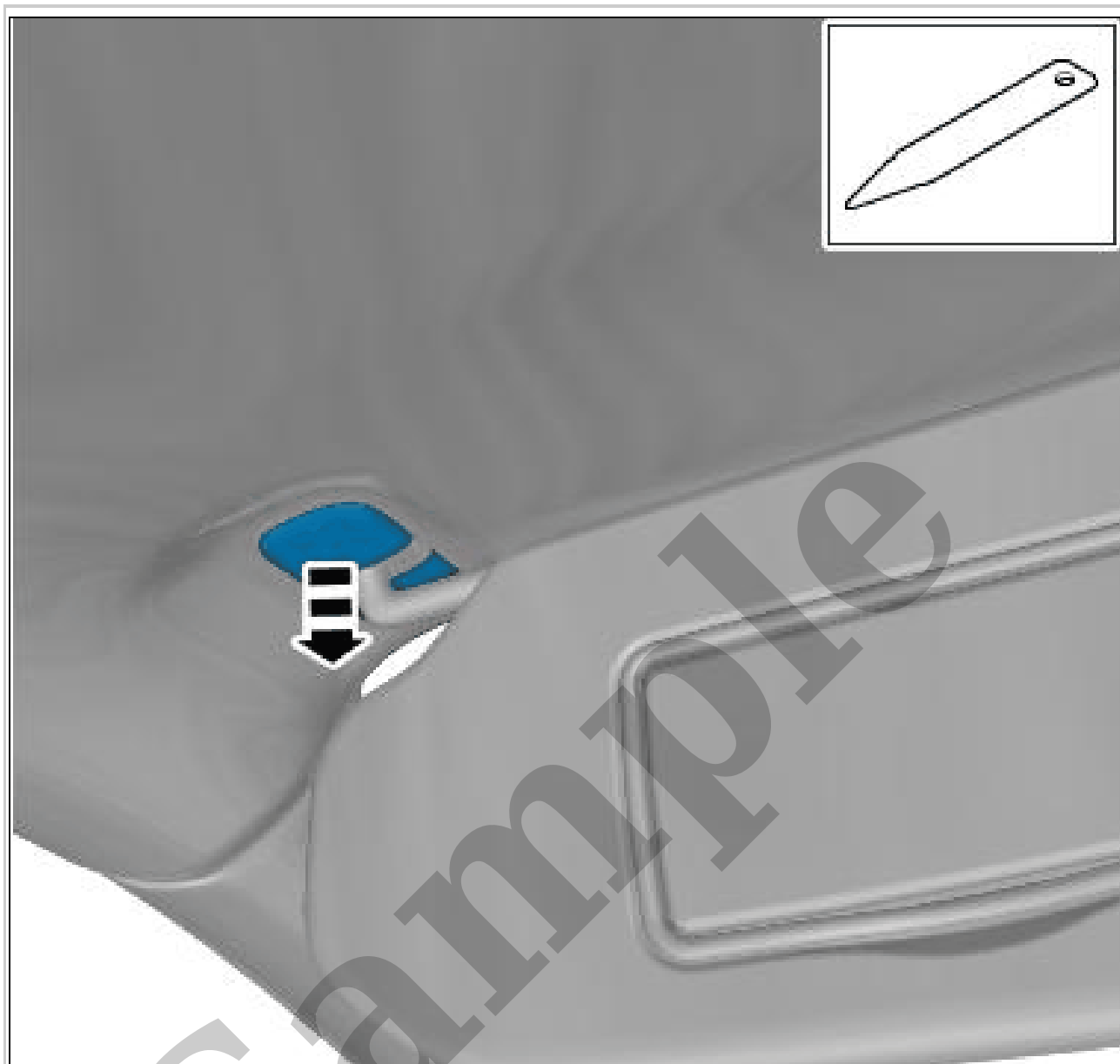


# Your Ultimate Source for OEM Repair Manuals

FactoryManuals.net is a great resource for anyone who wants to save money on repairs by doing their own work. The manuals provide detailed instructions and diagrams that make it easy to understand how to fix a vehicle.

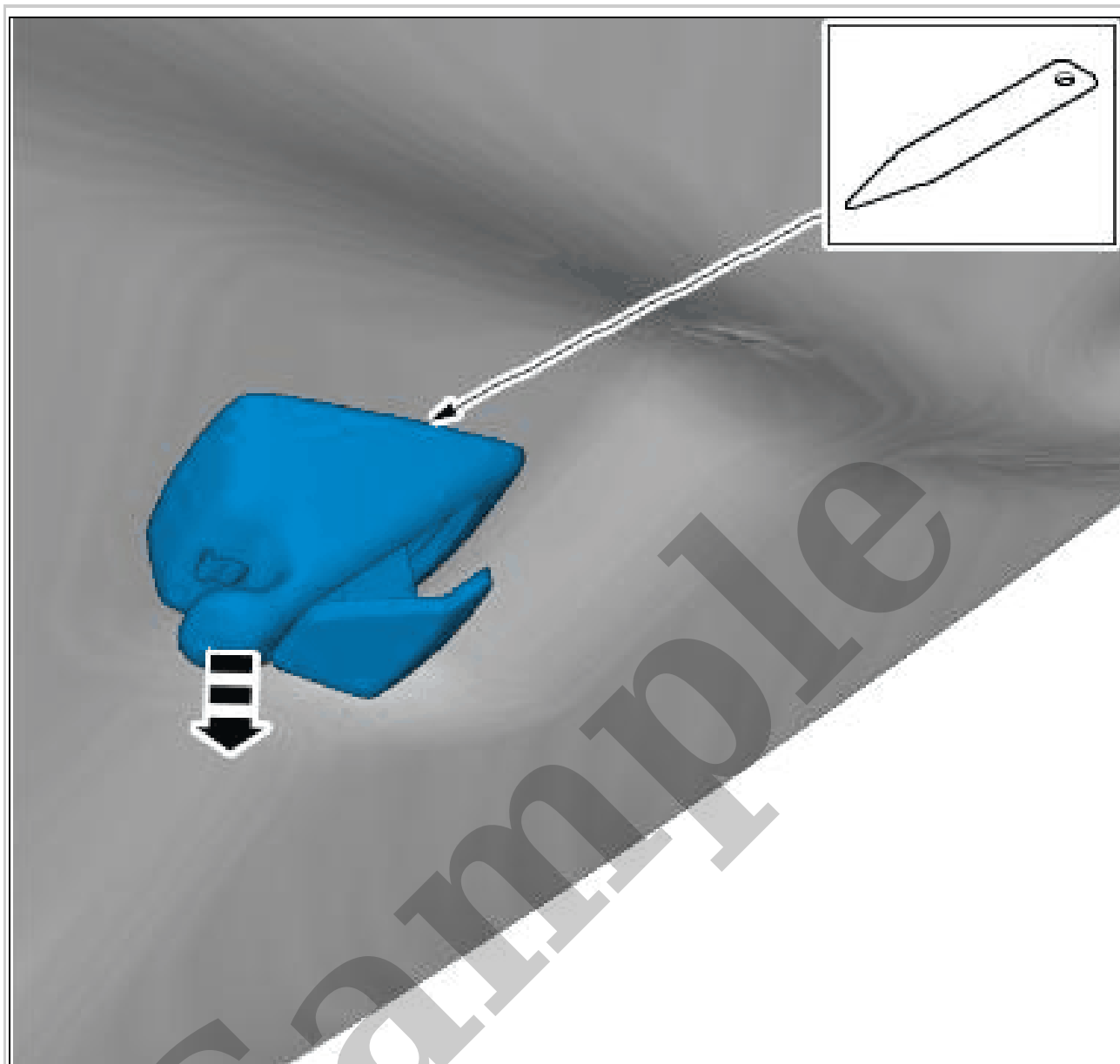
## 1994 VOLVO 960 OEM Service and Repair Workshop Manual

[Go to manual page](#)



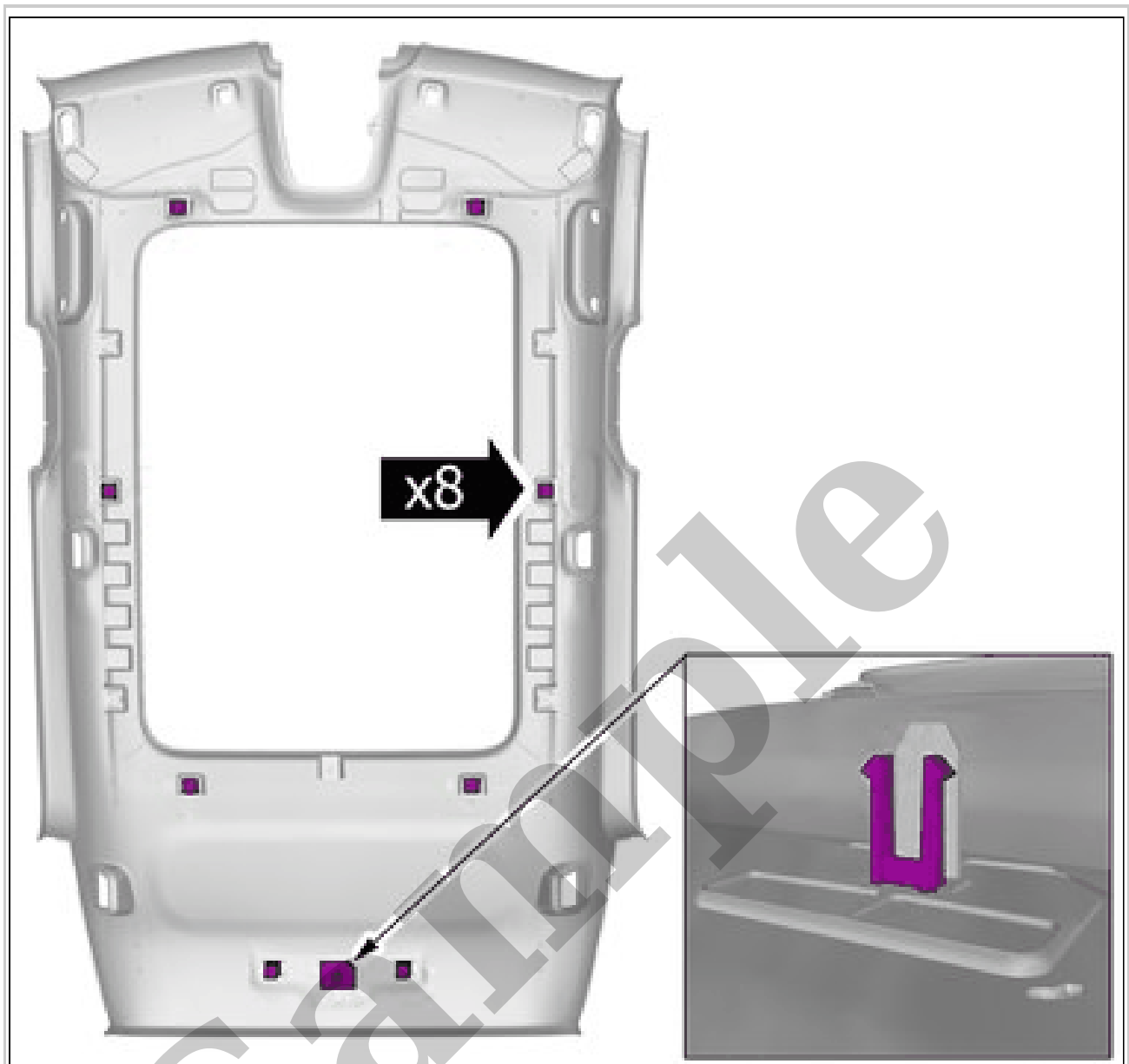
Courtesy of VOLVO CARS CORPORATION

Remove the marked part.  
On both sides.



Courtesy of VOLVO CARS CORPORATION

Remove the marked part.  
On both sides.



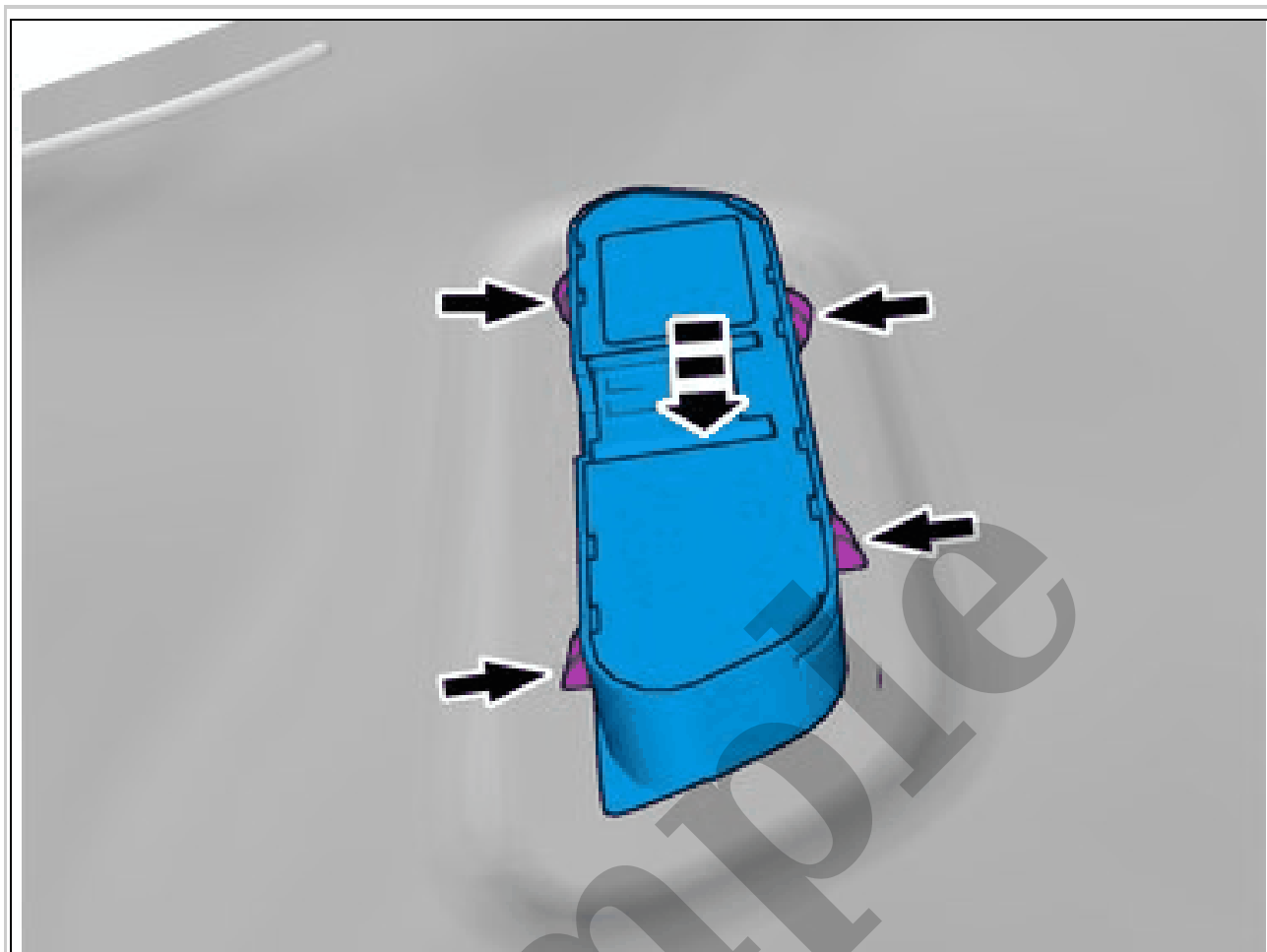
Courtesy of VOLVO CARS CORPORATION

**CAUTION:** *Take extra care not to crease the headliner.*

**NOTE:** *Velcro strip*

**NOTE:** *The graphic shows the back of the component before removal.*

**Use:** Interior trim remover



Courtesy of VOLVO CARS CORPORATION

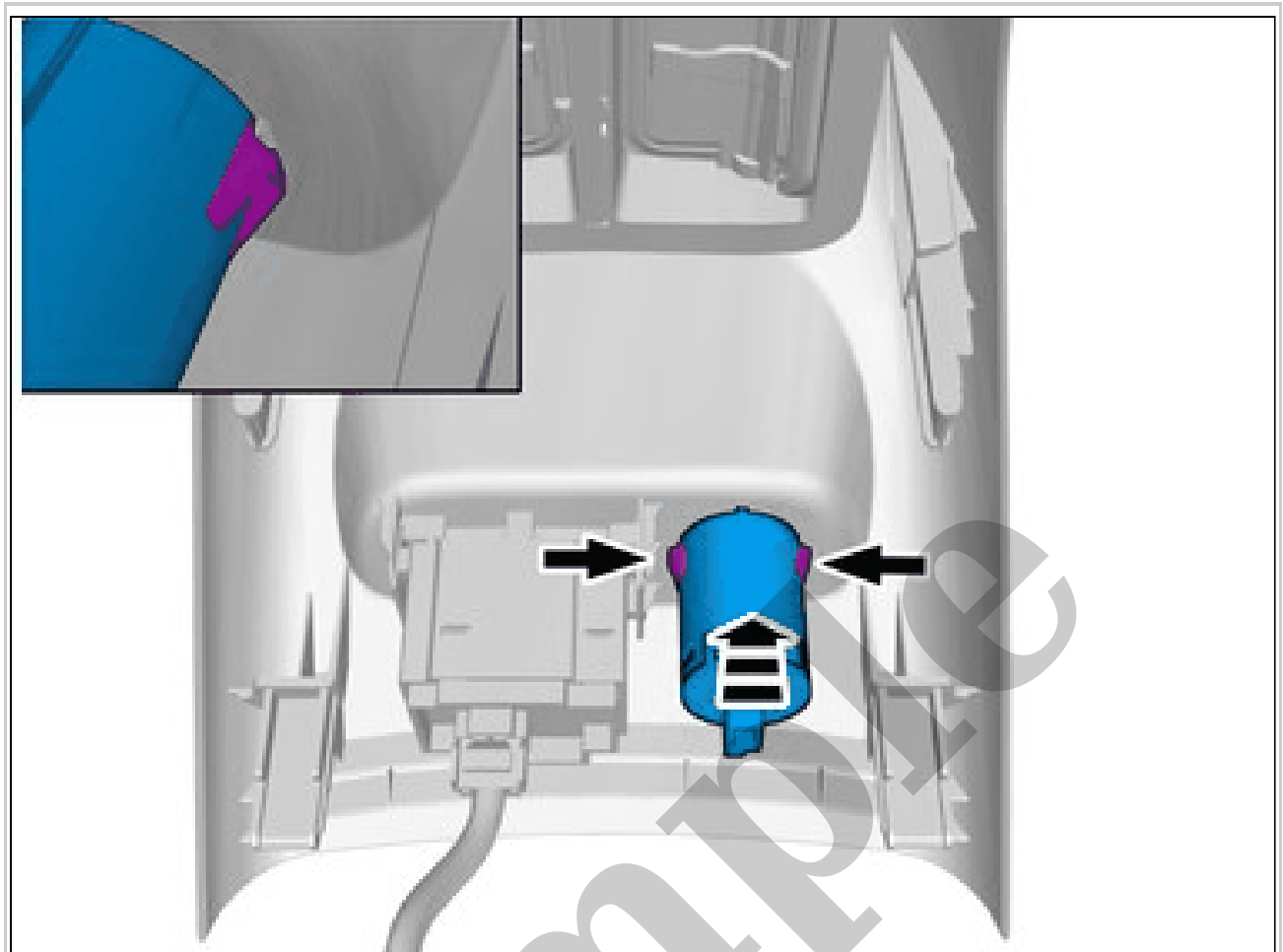
Remove the marked part.

**MICROPHONE, HANDSFREE / ACTIVE NOISE CONTROL ANC, FRONT >  
MICROPHONE, HANDSFREE / ACTIVE NOISE CONTROL ANC, FRONT [2018-2022] >  
INSTALLATION**

To install, reverse the removal procedure.

**USB CHARGING PORT, FLOOR CONSOLE > USB CHARGING PORT, FLOOR  
CONSOLE [2018-2021] > REMOVAL**

Set the vehicle to Inactive mode, described in user mode. Refer to: USAGE MODE



Courtesy of VOLVO CARS CORPORATION

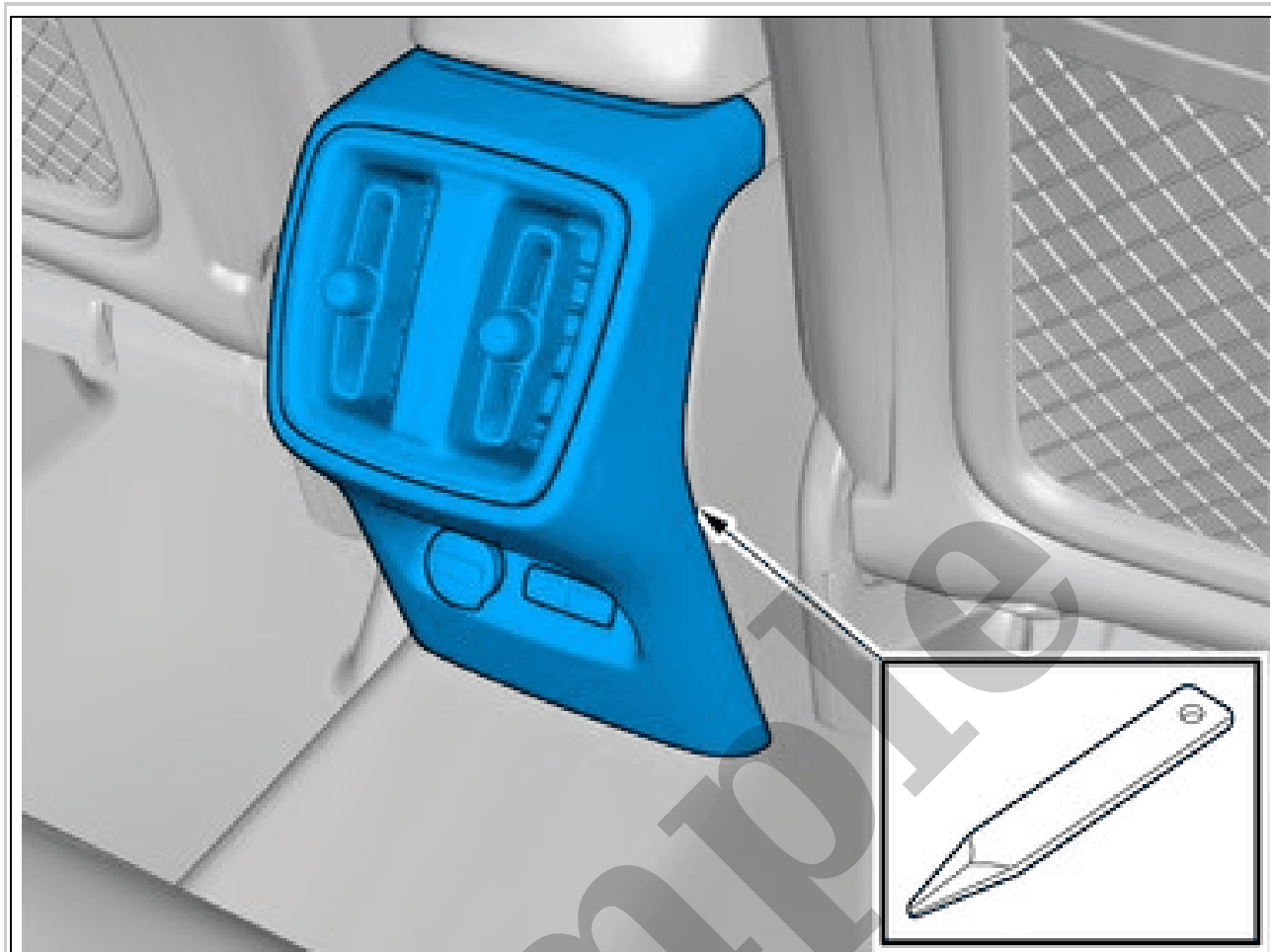
Release the locks.  
Remove the marked part.

### **USB CHARGING PORT, FLOOR CONSOLE > USB CHARGING PORT, FLOOR CONSOLE [2018-2021] > INSTALLATION**

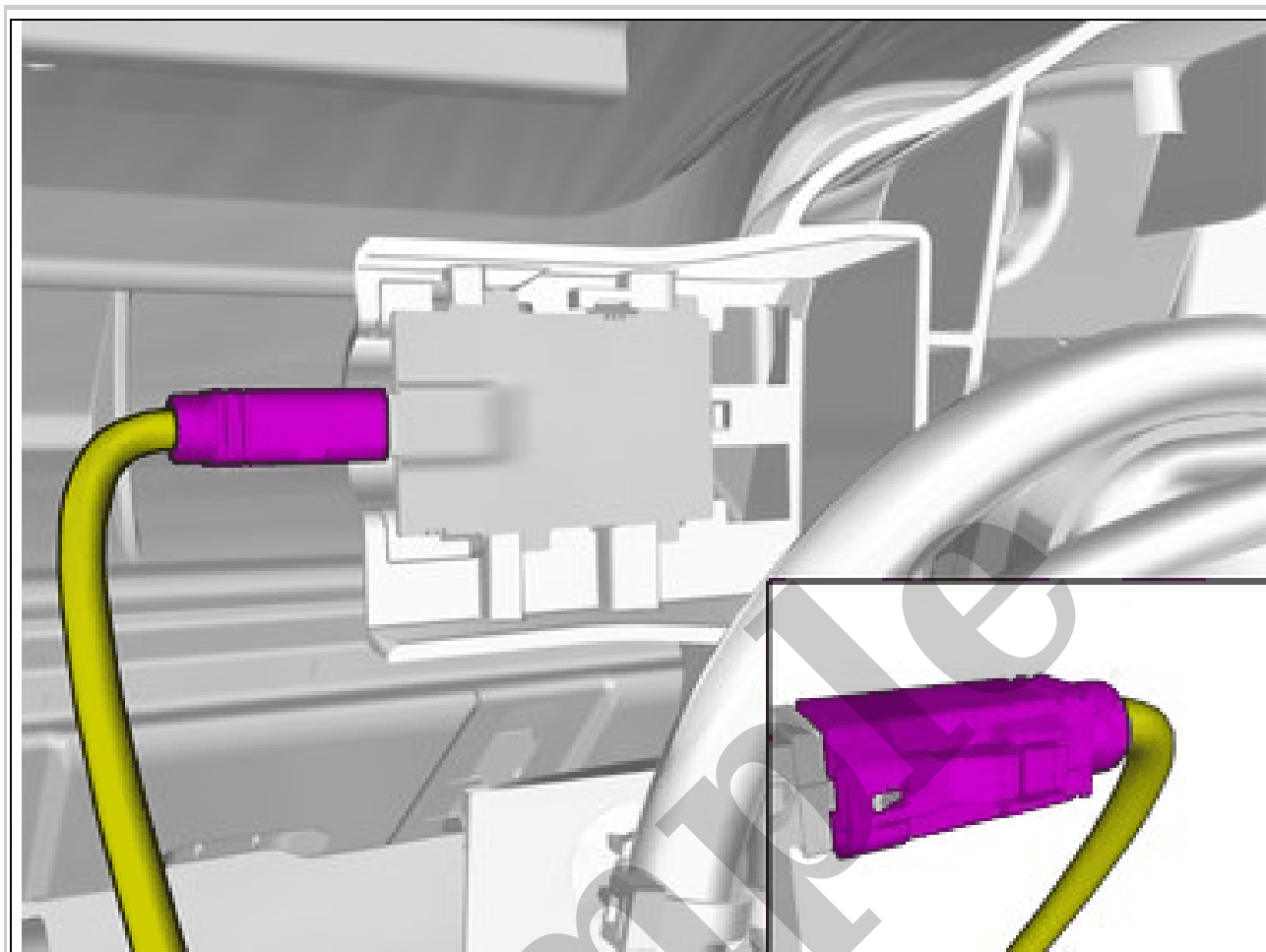
To install, reverse the removal procedure.

### **USB PORT FRONT, FLOOR CONSOLE > USB PORT FRONT, FLOOR CONSOLE [2018-2022] > REMOVAL**

Set the vehicle to Inactive mode, described in user mode. Refer to: USAGE MODE



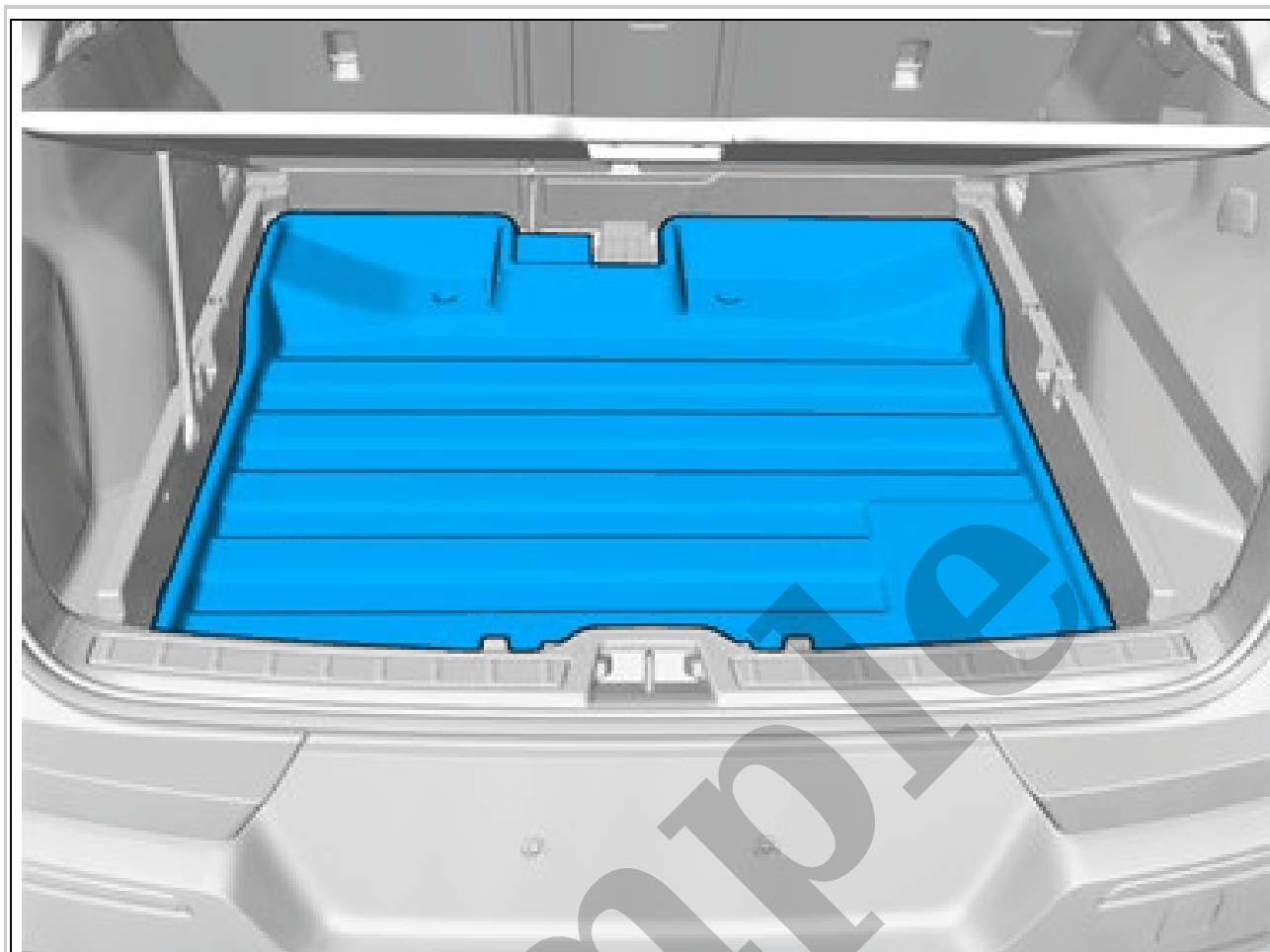
Courtesy of VOLVO CARS CORPORATION



Courtesy of VOLVO CARS CORPORATION

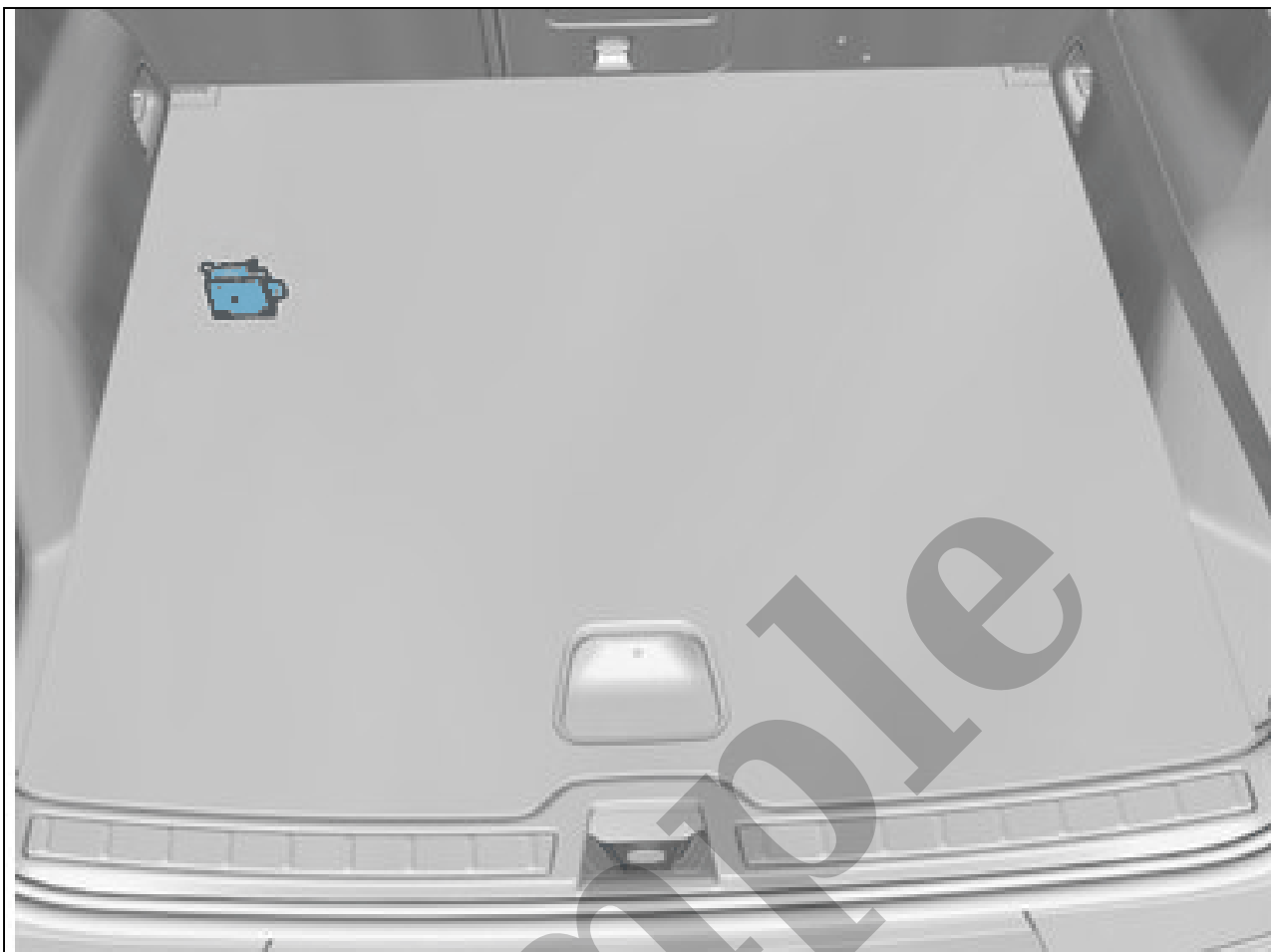
Disconnect the connector.





Courtesy of VOLVO CARS CORPORATION

Remove the marked part.



Courtesy of VOLVO CARS CORPORATION

**NOTE:** Orientation view