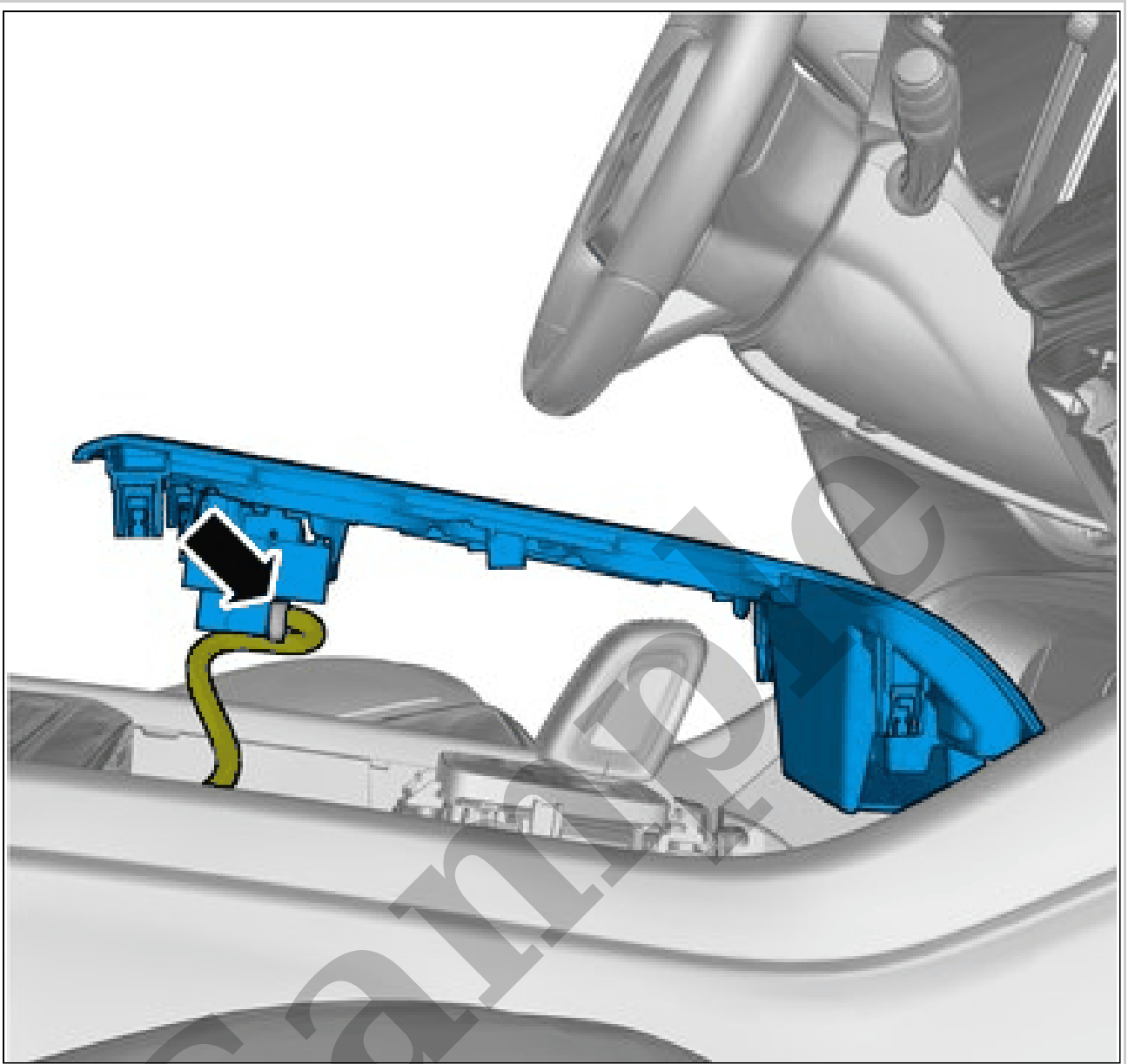


# Your Ultimate Source for OEM Repair Manuals

FactoryManuals.net is a great resource for anyone who wants to save money on repairs by doing their own work. The manuals provide detailed instructions and diagrams that make it easy to understand how to fix a vehicle.

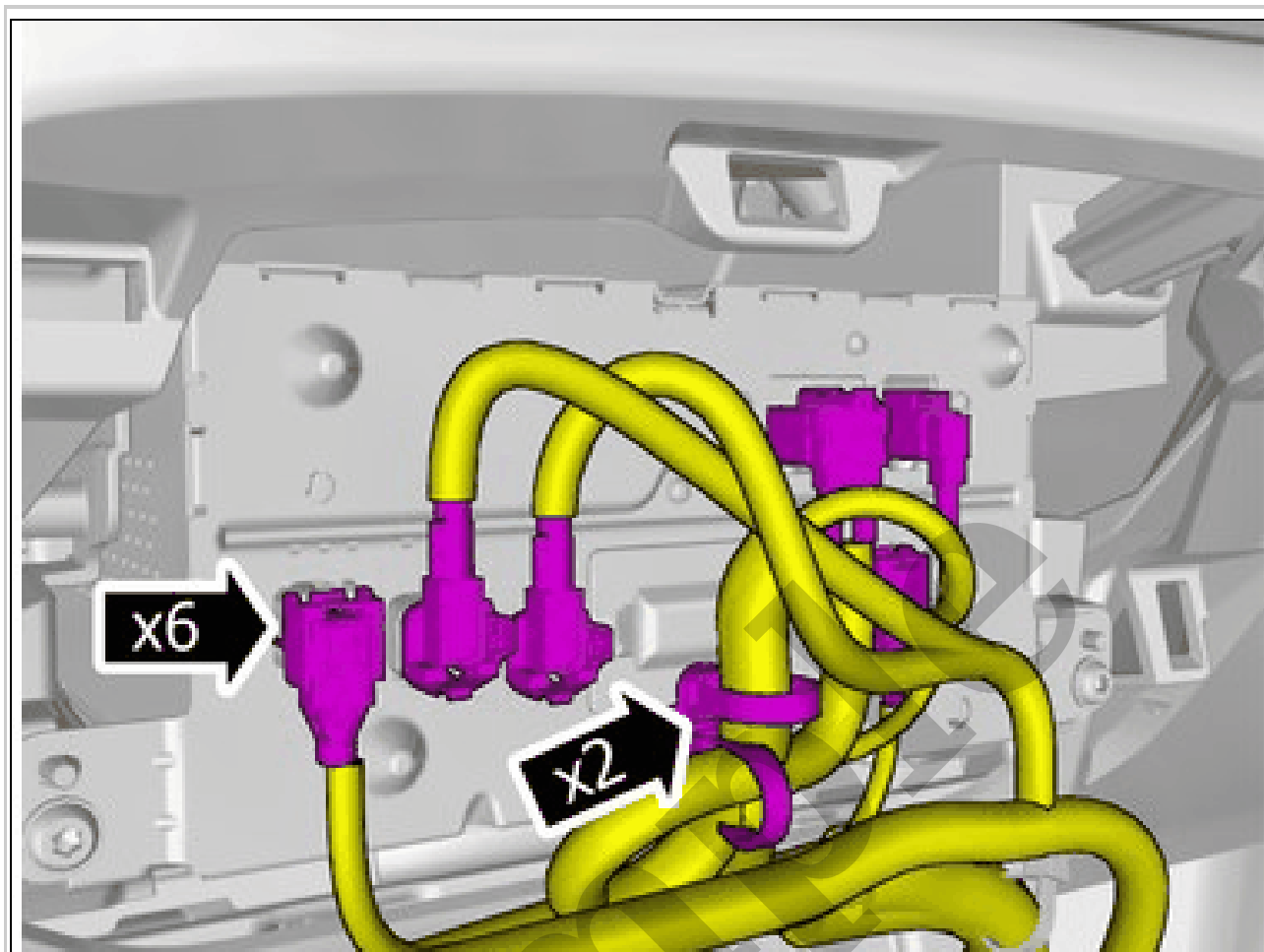
## 1994 VOLVO 960 Estate OEM Service and Repair Workshop Manual

[Go to manual page](#)



Courtesy of VOLVO CARS CORPORATION

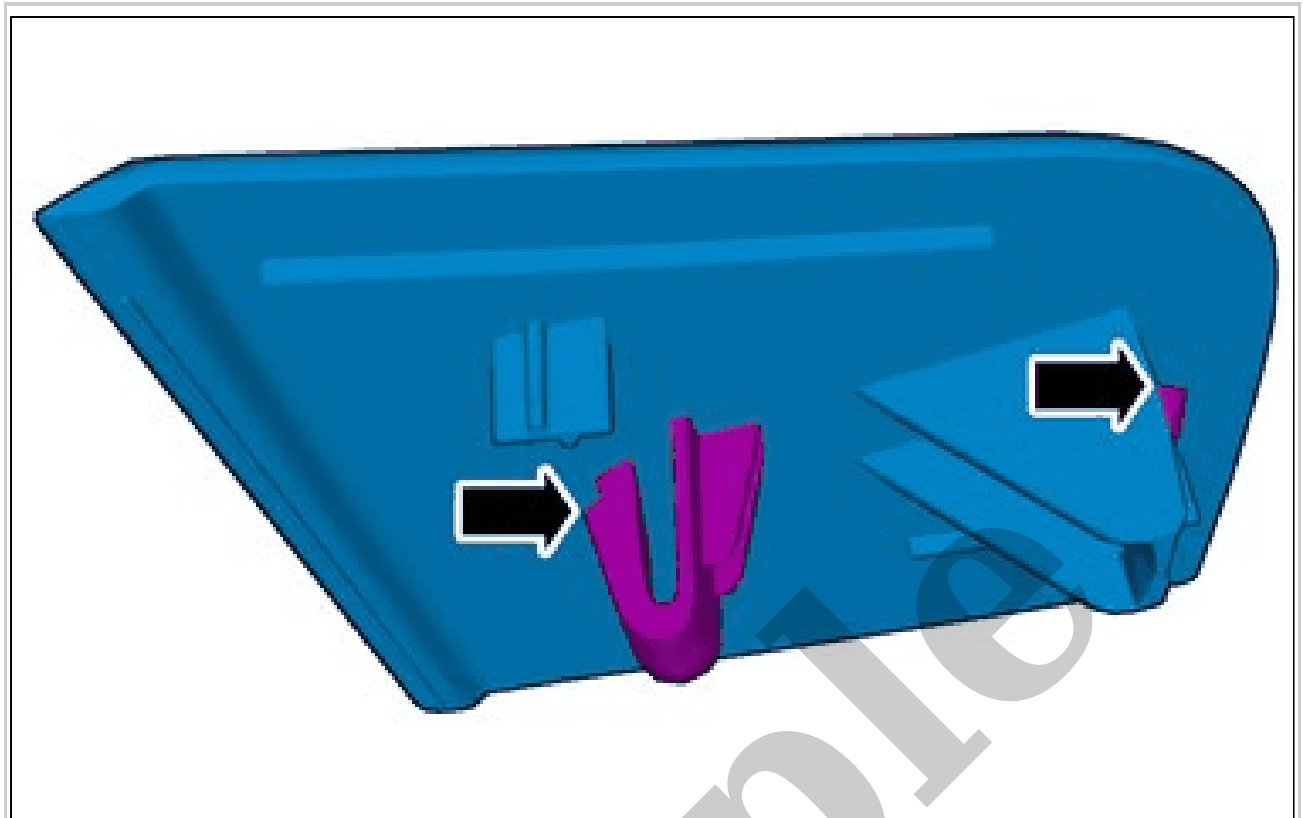
Disconnect the connector.  
Remove the marked part.



Courtesy of VOLVO CARS CORPORATION

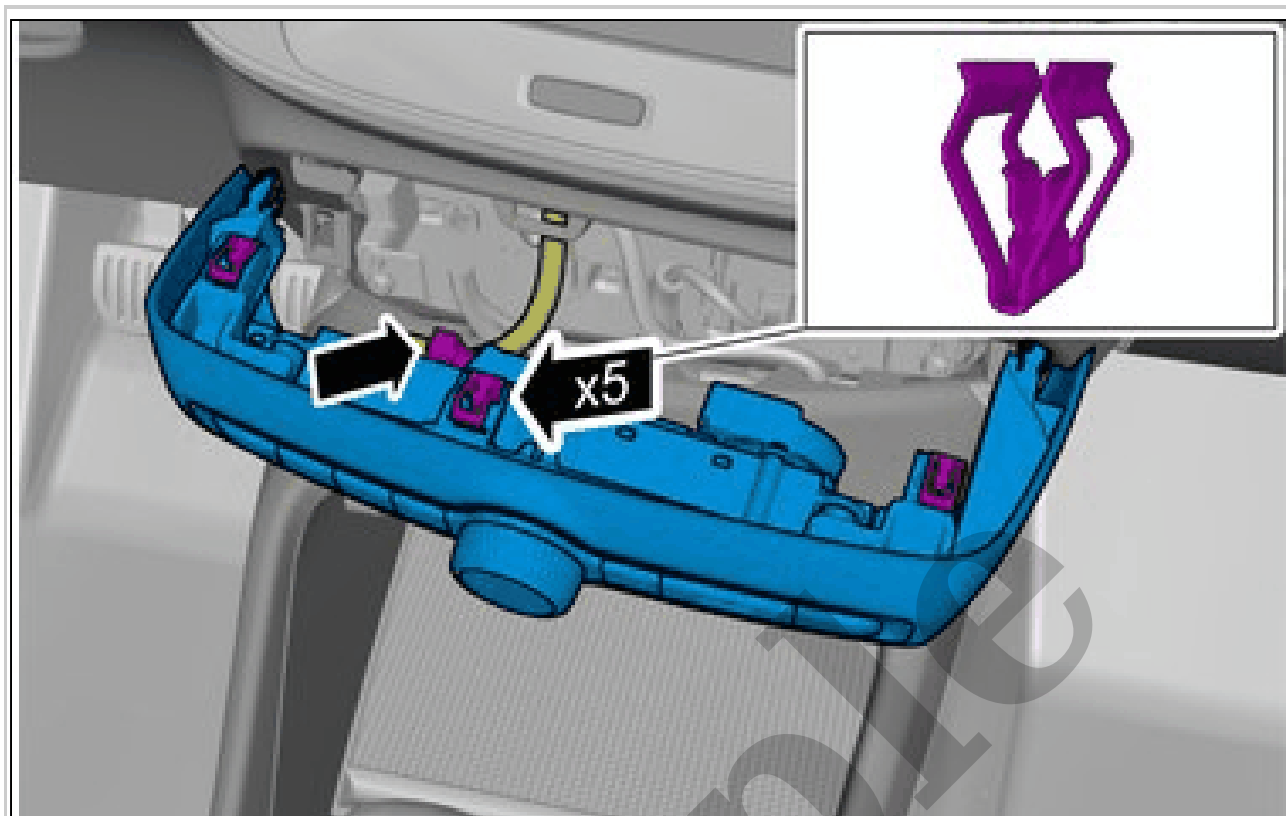
**CAUTION:** *The number of connectors, cables and cable ties may vary depending on the vehicle specification.*

Loosen the clips.  
Disconnect the connectors.



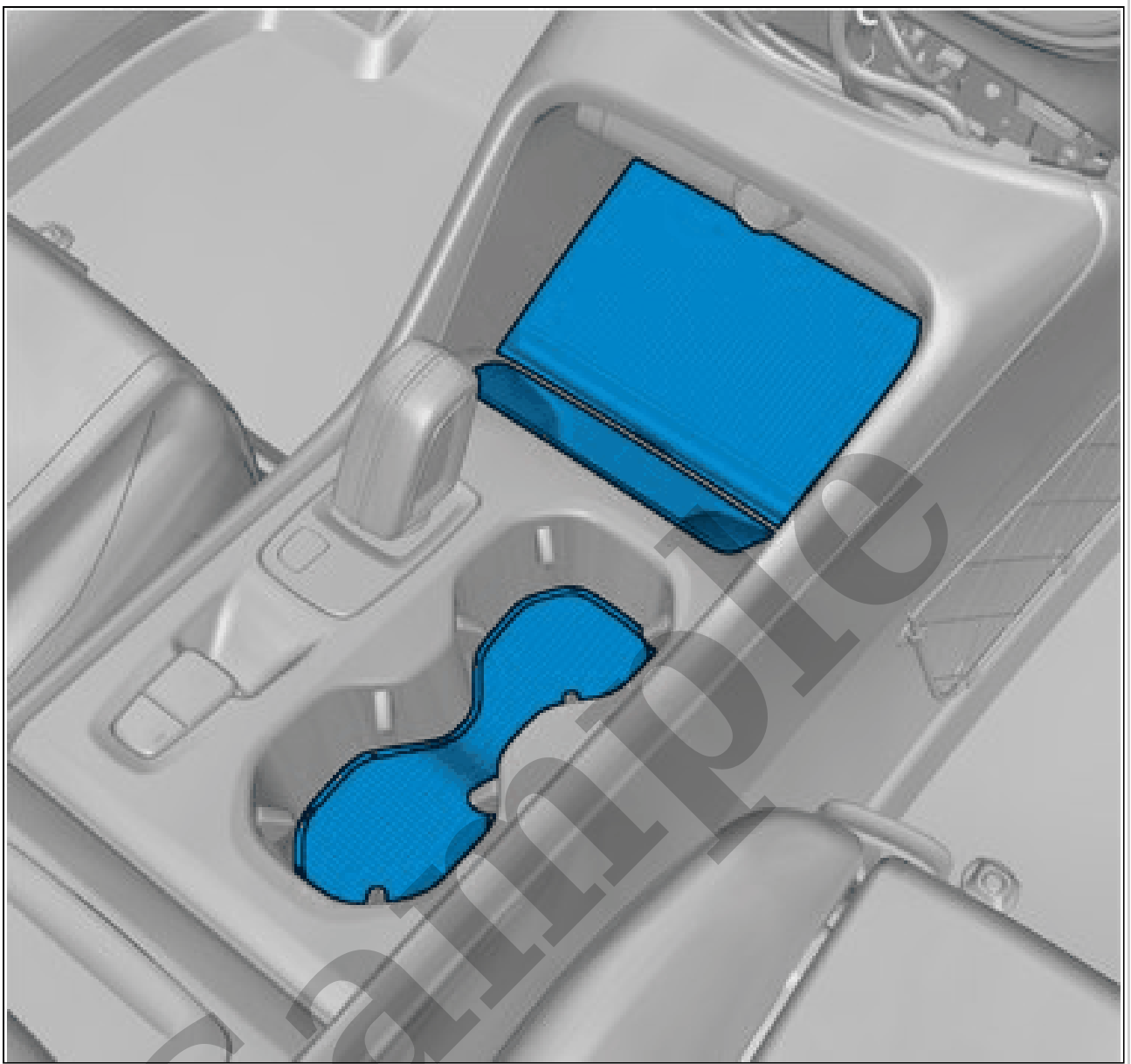
Courtesy of VOLVO CARS CORPORATION

**NOTE:** *The graphic shows the back of the component before removal.*



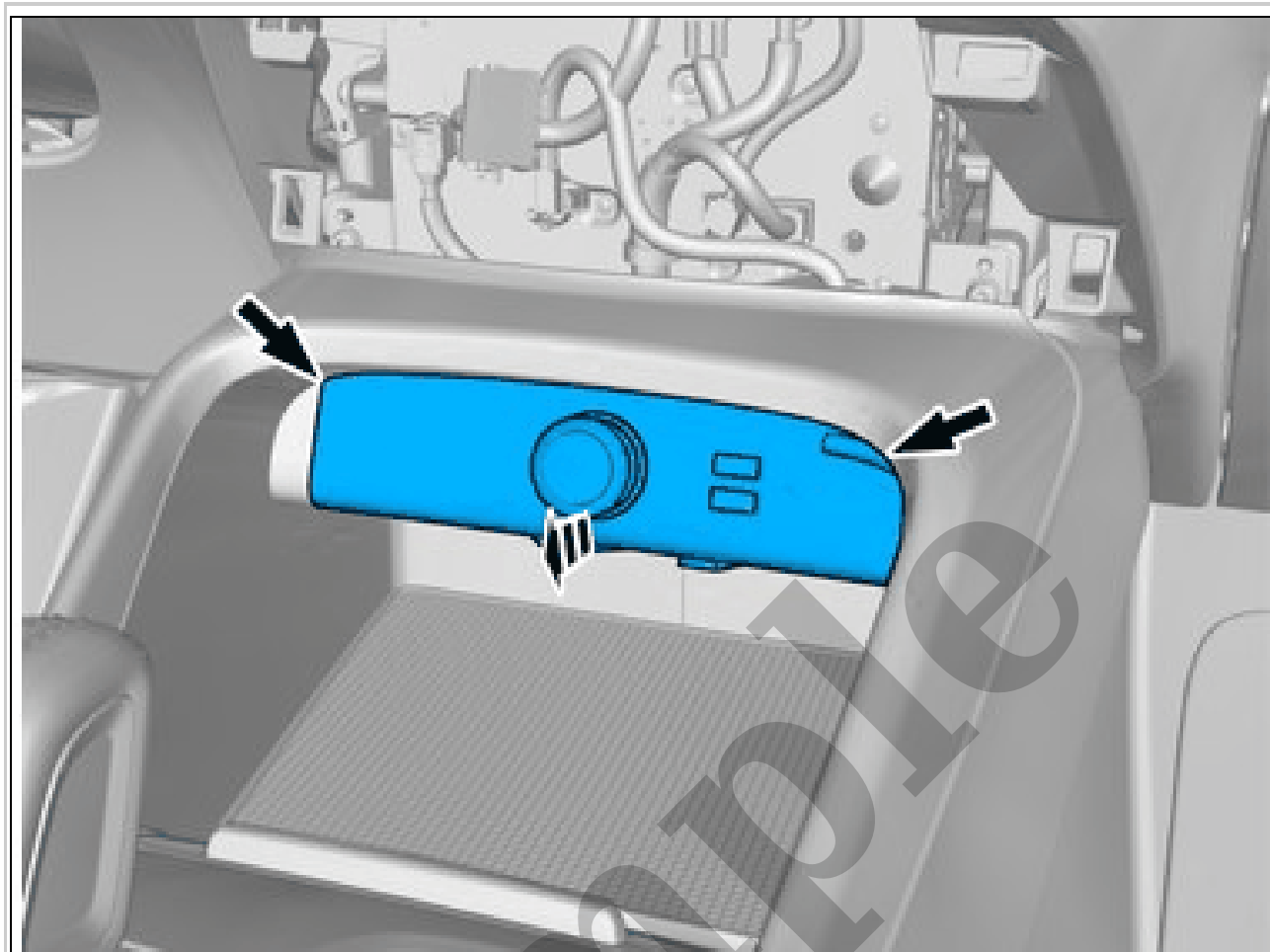
Courtesy of VOLVO CARS CORPORATION

Disconnect the connector.  
Remove the marked part.



Courtesy of VOLVO CARS CORPORATION

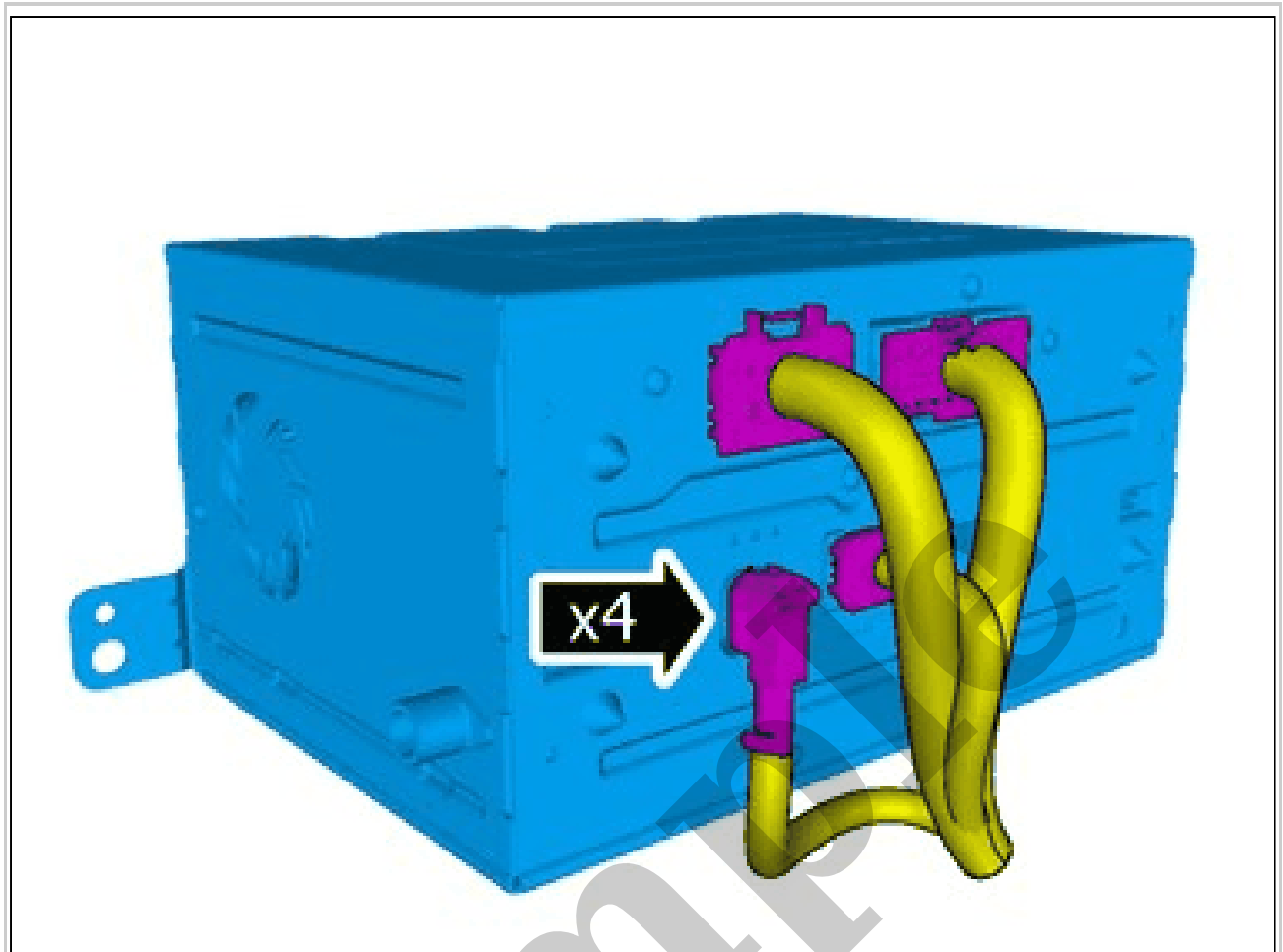
Remove the marked parts.



Courtesy of VOLVO CARS CORPORATION

Remove the marked part.

**Use:** Interior trim remover



Courtesy of VOLVO CARS CORPORATION

**CAUTION:** *The number of connectors, cables and cable ties may vary depending on the vehicle specification.*

Disconnect the connectors.

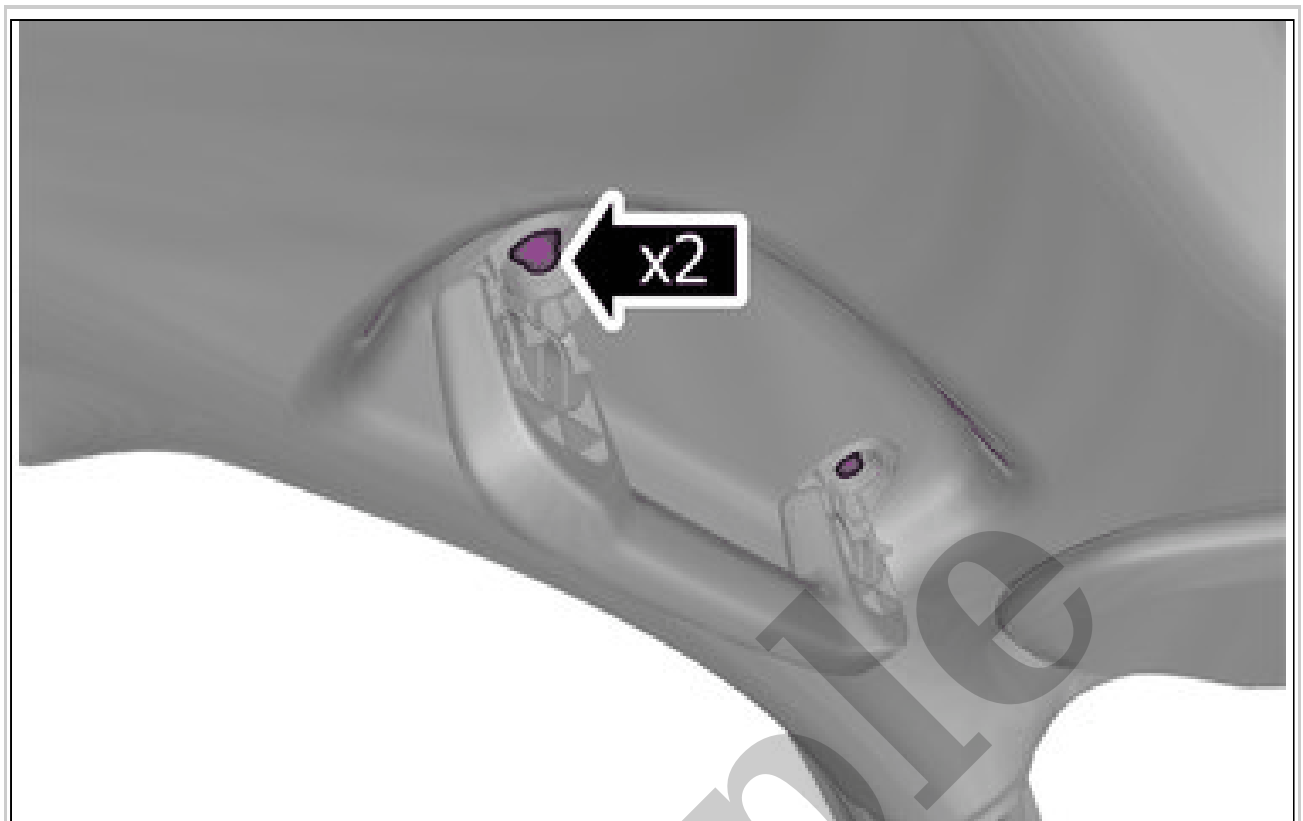
## **INFOTAINMENT HEAD UNIT > INFOTAINMENT HEAD UNIT (IHU) [2022, E400V6] > INSTALLATION**

To install, reverse the removal procedure.

**NOTE:** *The following steps are only necessary when installing a new component.*

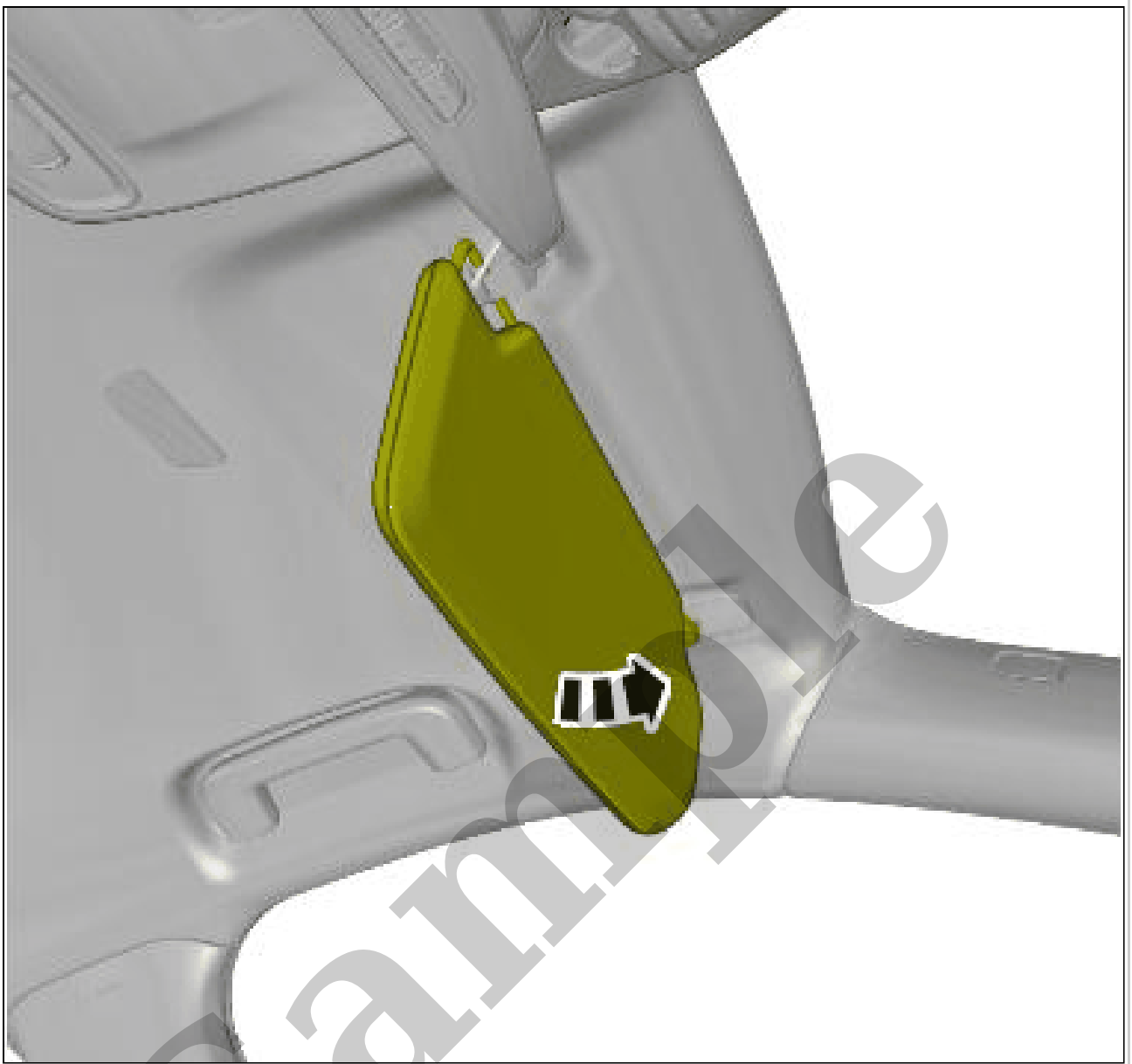
Order and download the appropriate software according to: VIDA/Software/Hardware Changes





Courtesy of VOLVO CARS CORPORATION

**Torque:** Entry handle, to bracket, 6Nm  
Remove the screws.  
On both sides.



Courtesy of VOLVO CARS CORPORATION

On both sides.