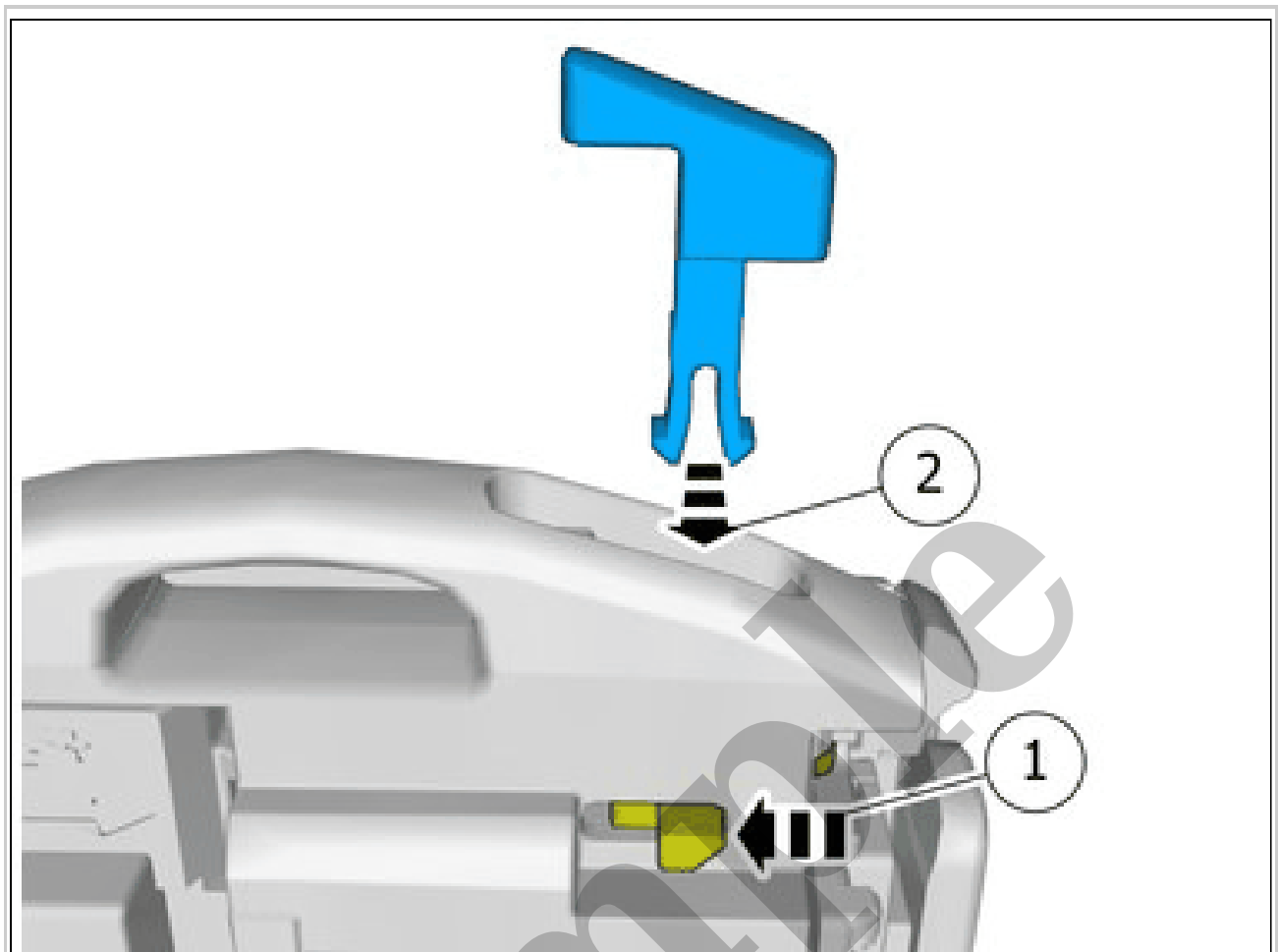


Your Ultimate Source for OEM Repair Manuals

FactoryManuals.net is a great resource for anyone who wants to save money on repairs by doing their own work. The manuals provide detailed instructions and diagrams that make it easy to understand how to fix a vehicle.

1994 VOLVO 850 OEM Service and Repair Workshop Manual

[Go to manual page](#)



Courtesy of VOLVO CARS CORPORATION

Release the lock.

Install the marked component.

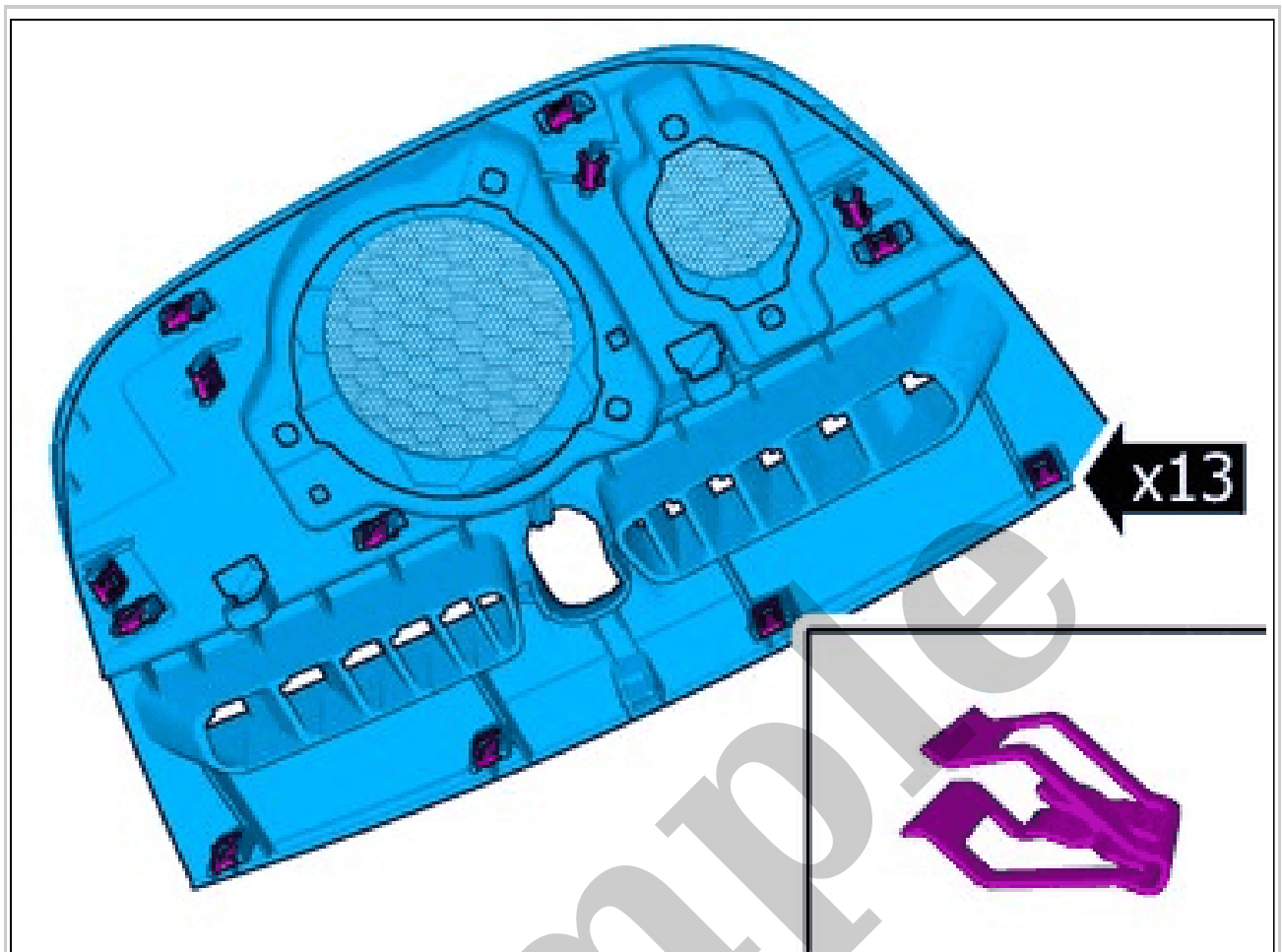
ALL VEHICLES

To install, reverse the removal procedure.

**SIDE OBSTACLE DETECTION CONTROL MODULE LEFT > SIDE OBSTACLE
DETECTION CONTROL MODULE LEFT (SODL) [2018-2022] > REMOVAL**

Set the vehicle to Inactive mode, described in user mode. Refer to: USAGE MODE

Remove casing bumper rear. Refer to: COVER BUMPER REAR



Courtesy of VOLVO CARS CORPORATION

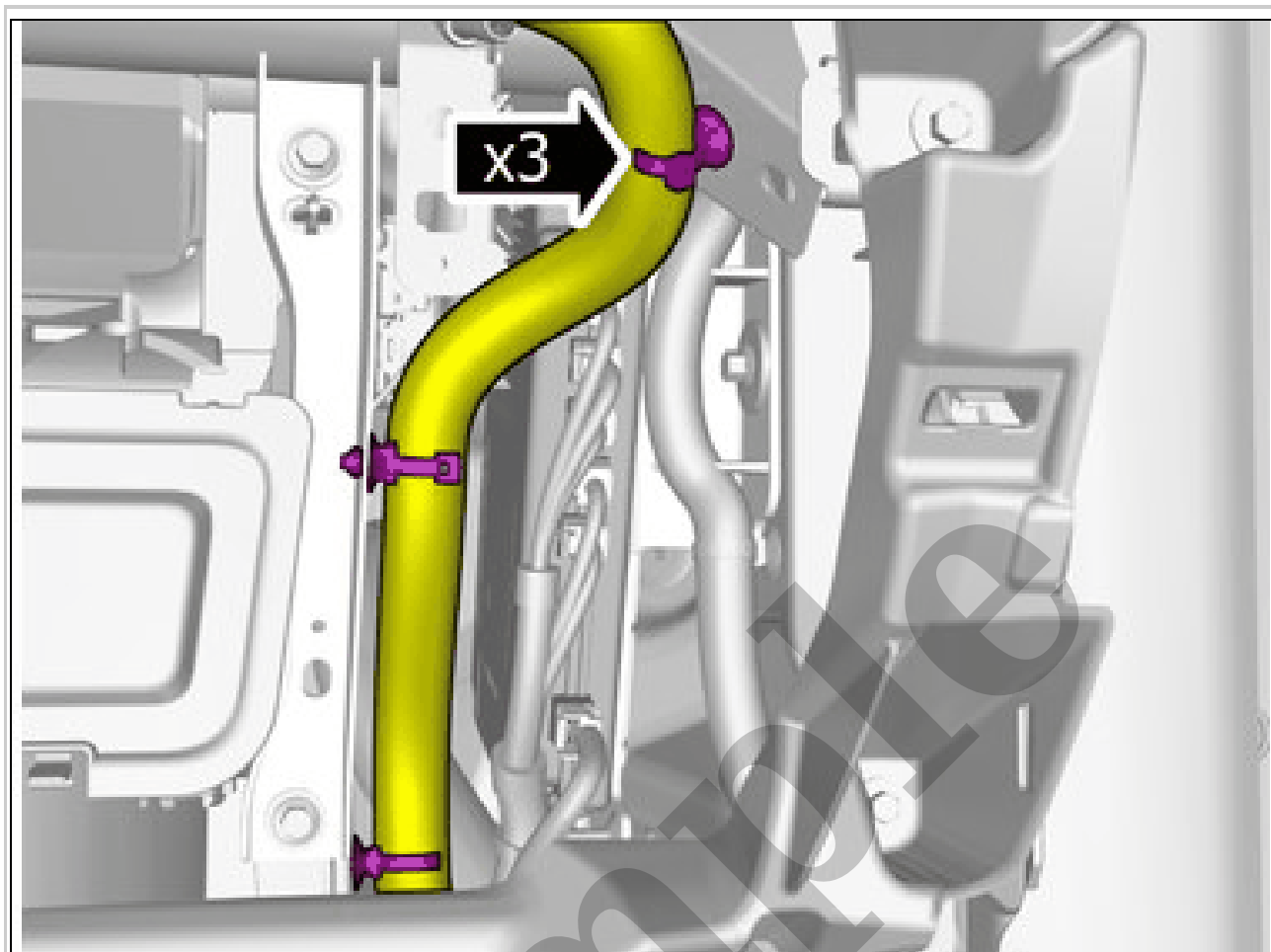
NOTE: The graphic shows the back of the component before removal.



Courtesy of VOLVO CARS CORPORATION

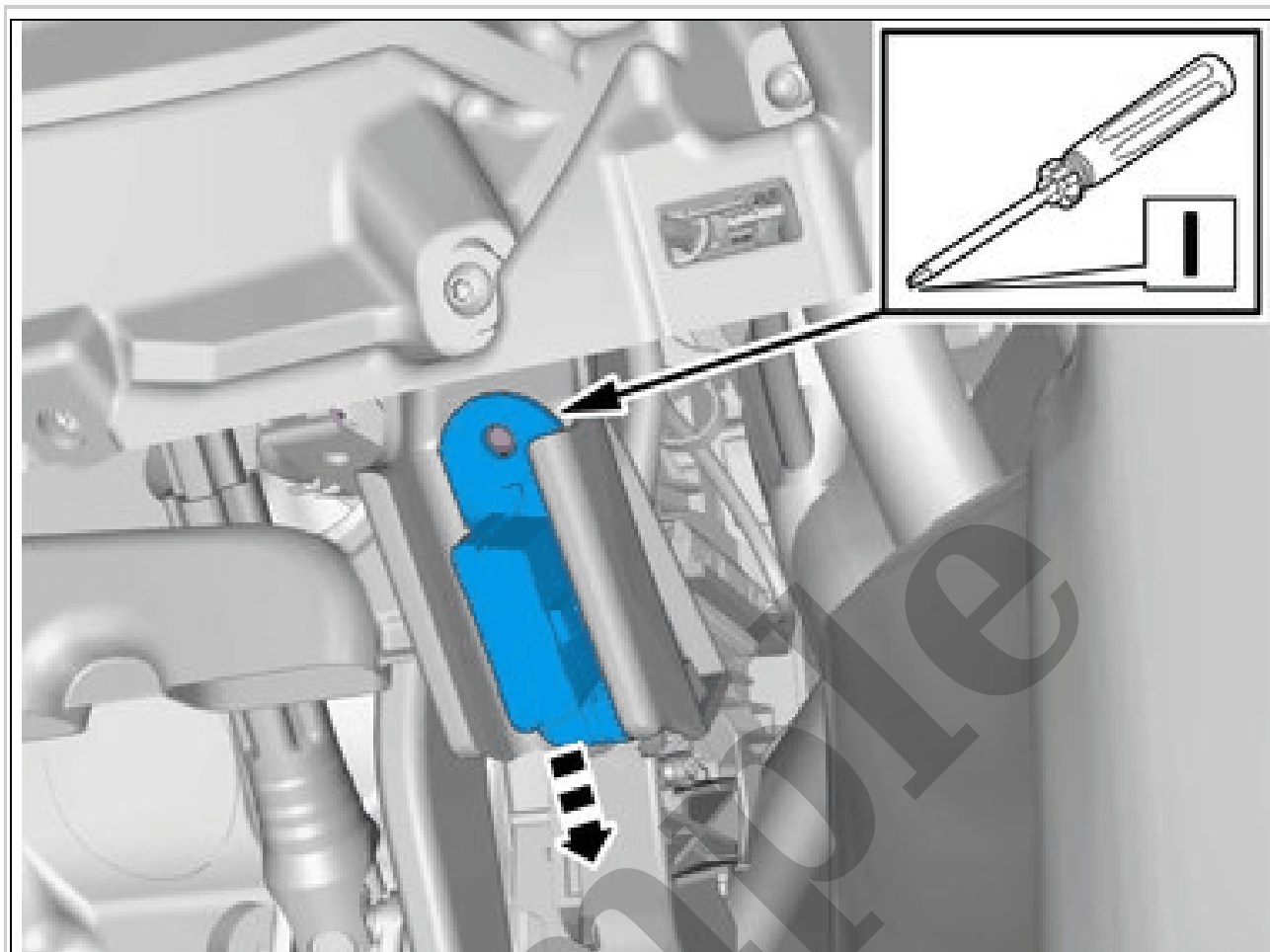
NOTE: *Orientation view*

Set the vehicle to Inactive mode, described in user mode. Refer to: USAGE MODE
Remove glove compartment. Refer to: GLOVE COMPARTMENT



Courtesy of VOLVO CARS CORPORATION

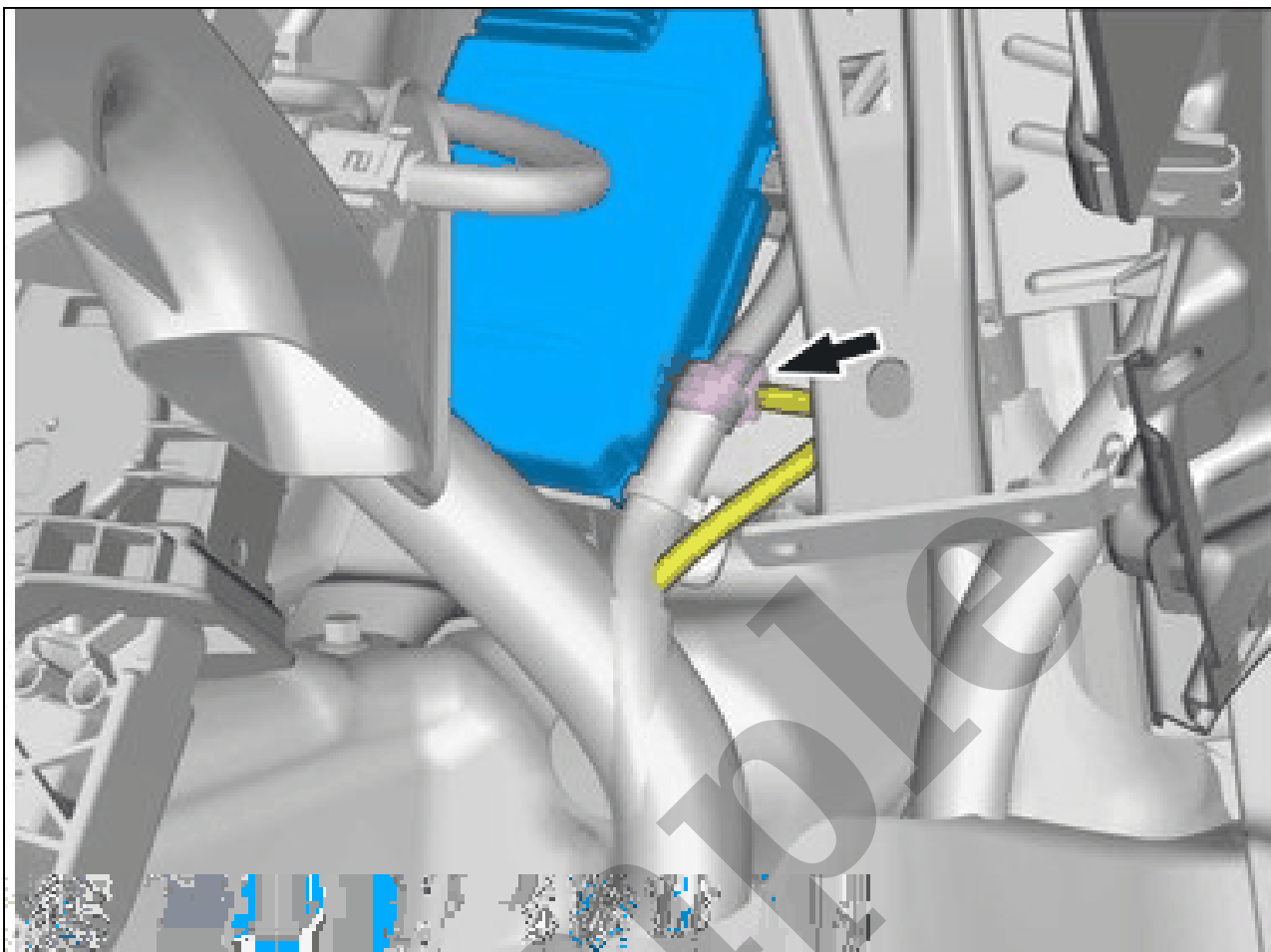
Loosen the clips.
Fold marked part aside.



Courtesy of VOLVO CARS CORPORATION

Remove the marked part.

Use: Electrician's screwdriver

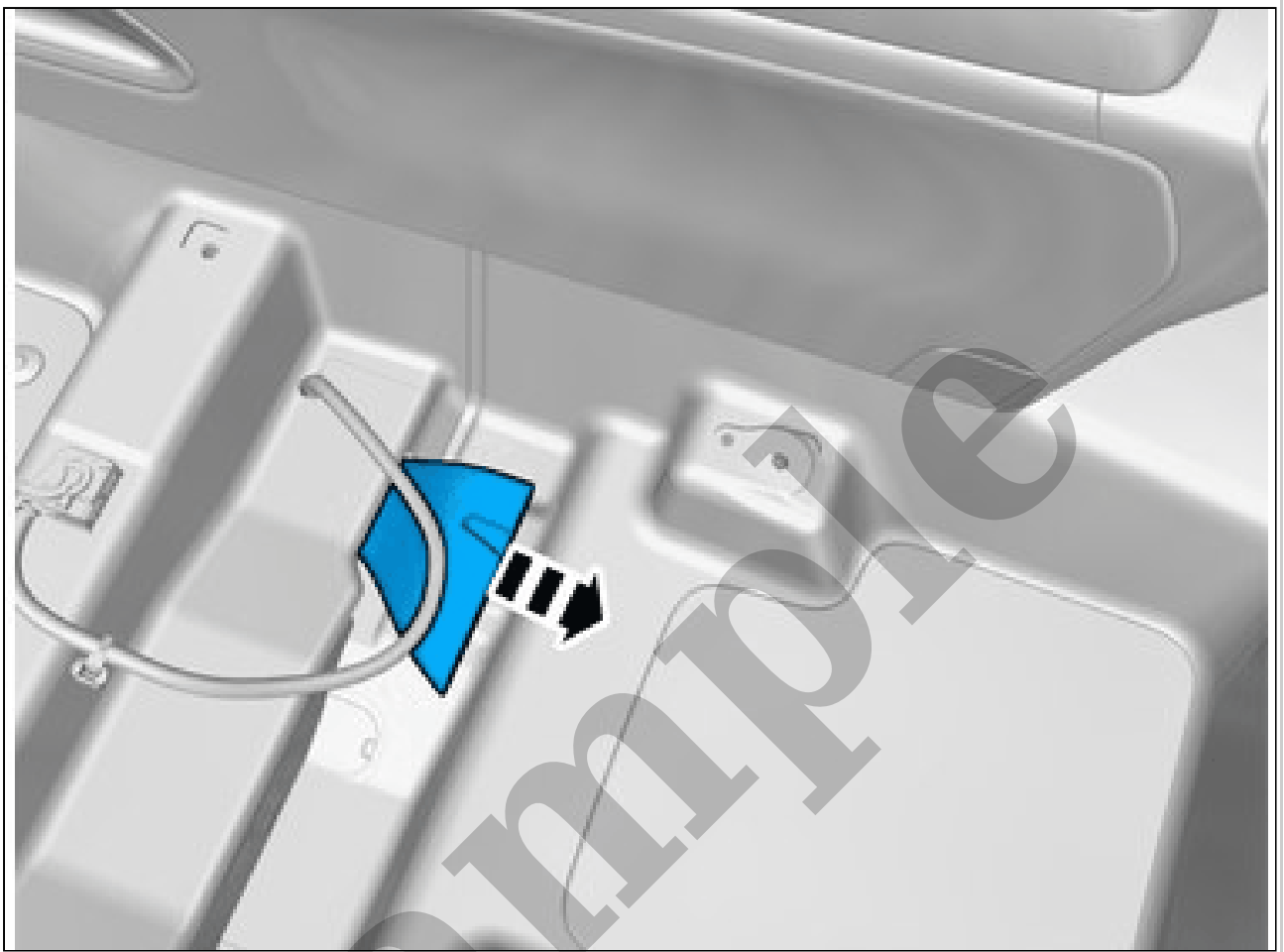


Courtesy of VOLVO CARS CORPORATION

View from below
Disconnect the connector.
VEHICLES EARLY VERSION

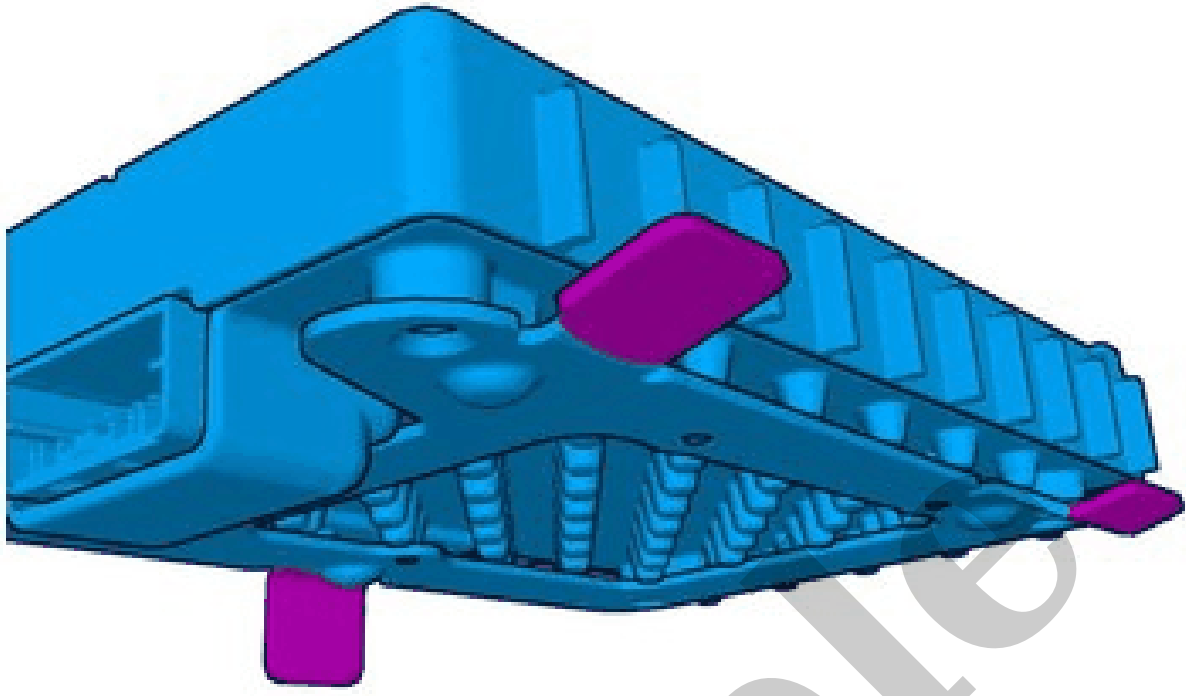
OBD FIREWALL MODULE > OBD FIREWALL MODULE (OFM) [2018-2020] > REMOVAL

Remove front seat. Refer to: FRONT SEAT

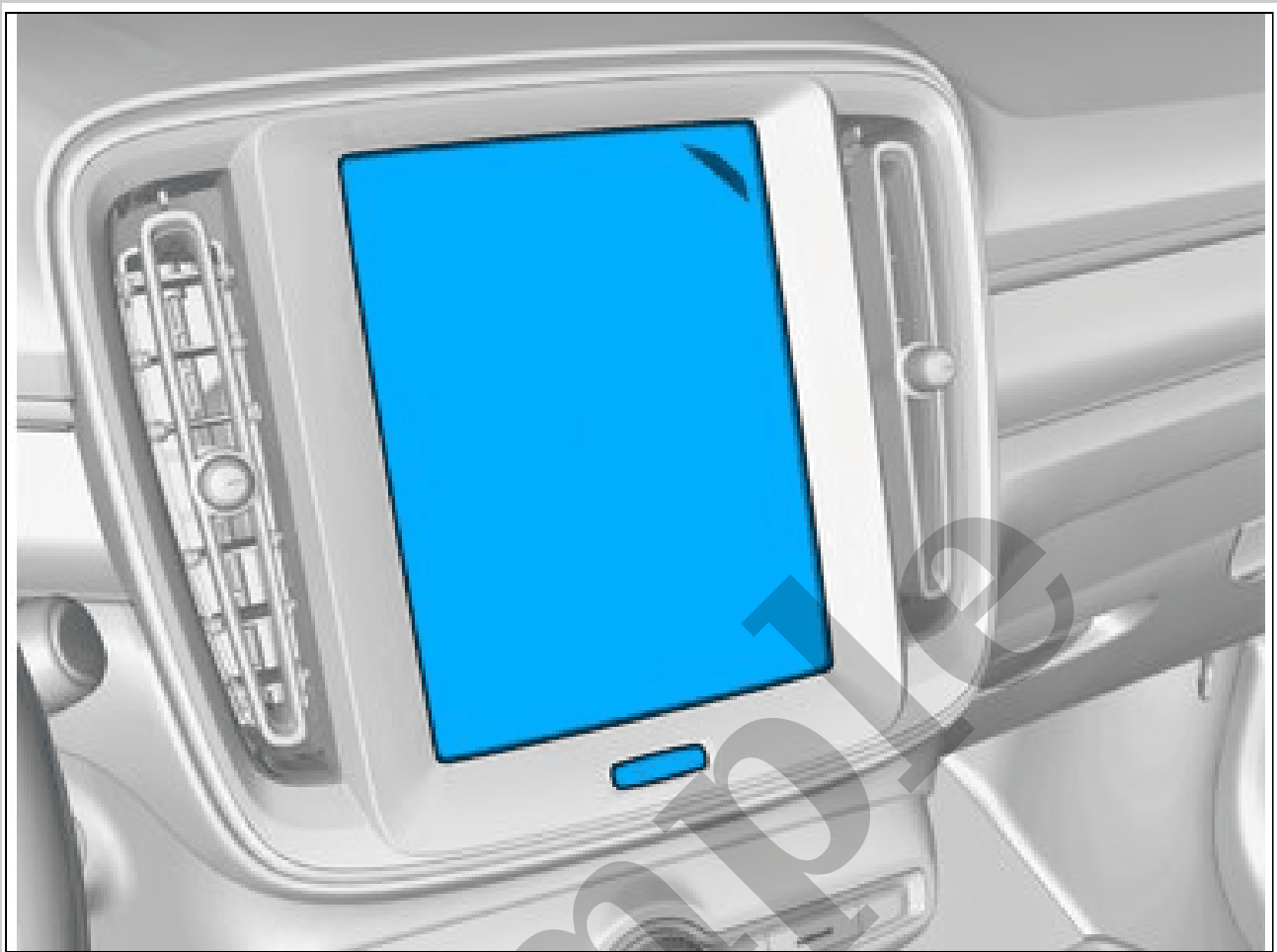


Courtesy of VOLVO CARS CORPORATION

Remove the marked part.



Courtesy of VOLVO CARS CORPORATION



Courtesy of VOLVO CARS CORPORATION

NOTE: *Orientation view*

PREPARATION