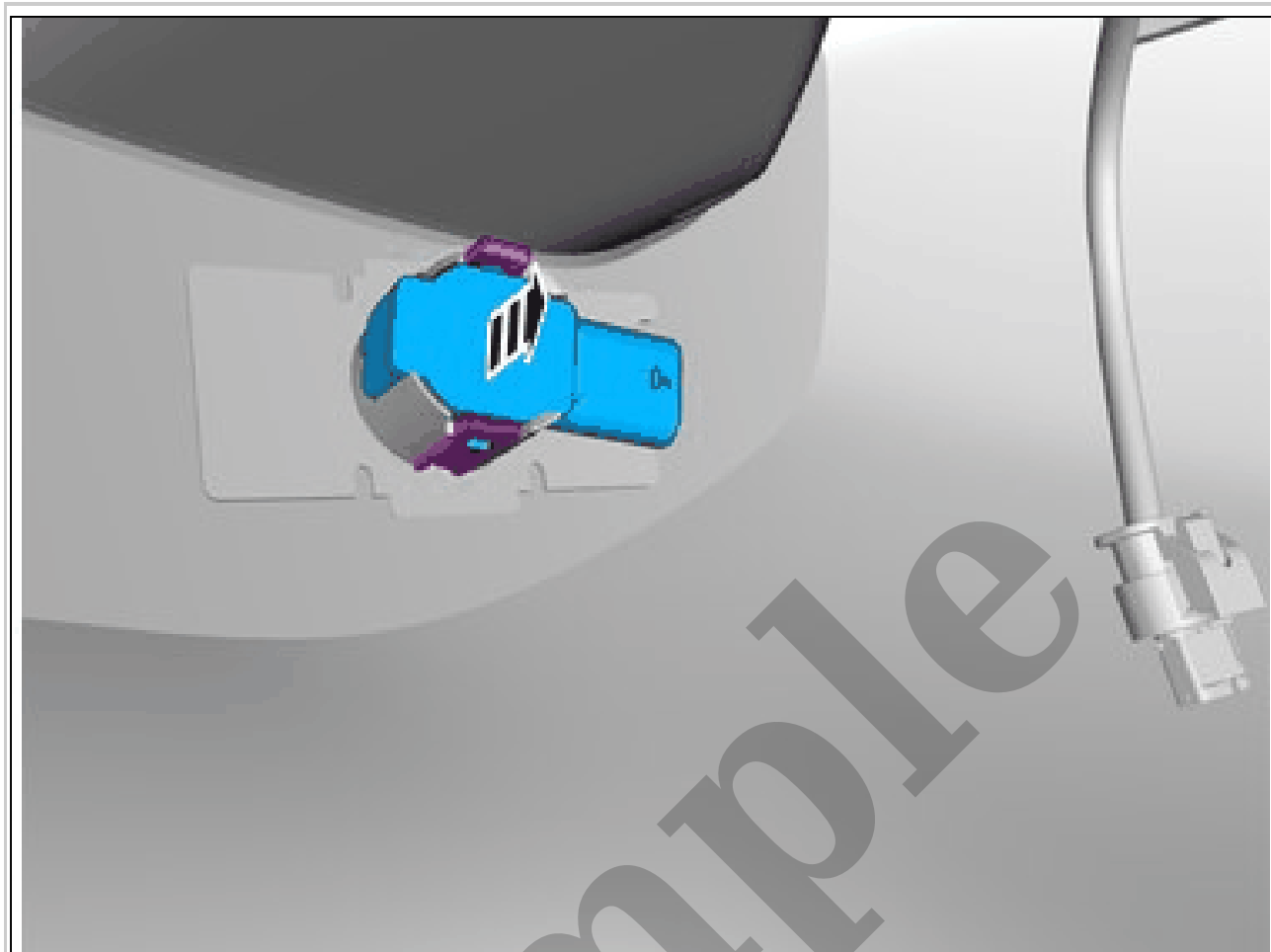


Your Ultimate Source for OEM Repair Manuals

FactoryManuals.net is a great resource for anyone who wants to save money on repairs by doing their own work. The manuals provide detailed instructions and diagrams that make it easy to understand how to fix a vehicle.

1994 VOLVO 850 Estate R OEM Service and Repair Workshop Manual

[Go to manual page](#)



Courtesy of VOLVO CARS CORPORATION

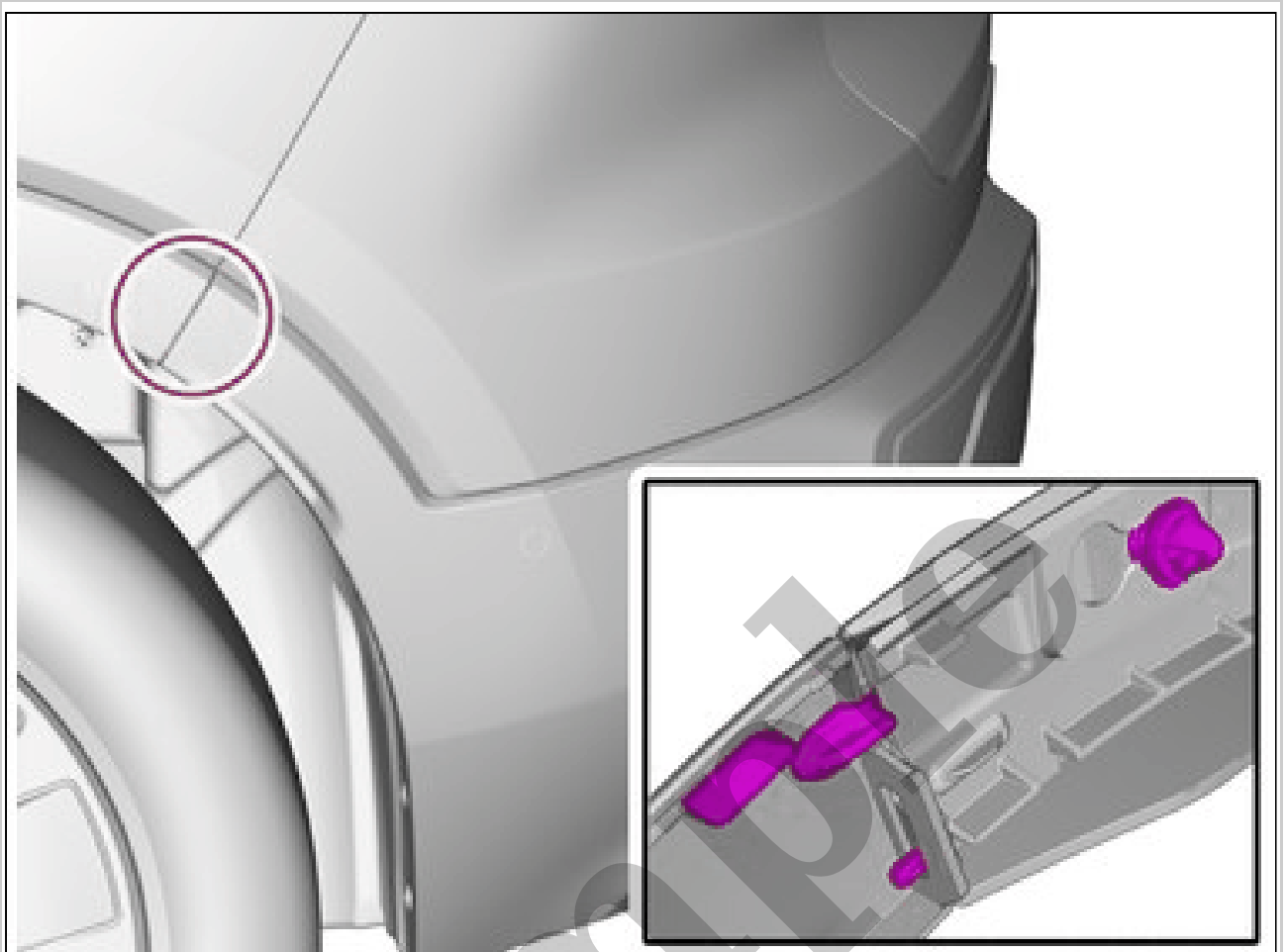
Release the catches.
Remove the marked part.

**PARKING ASSISTANCE SENSOR, REAR, OUTER > PARKING ASSISTANCE SENSOR,
REAR, OUTER [2021-2022, E400V6] > INSTALLATION**

To install, reverse the removal procedure.

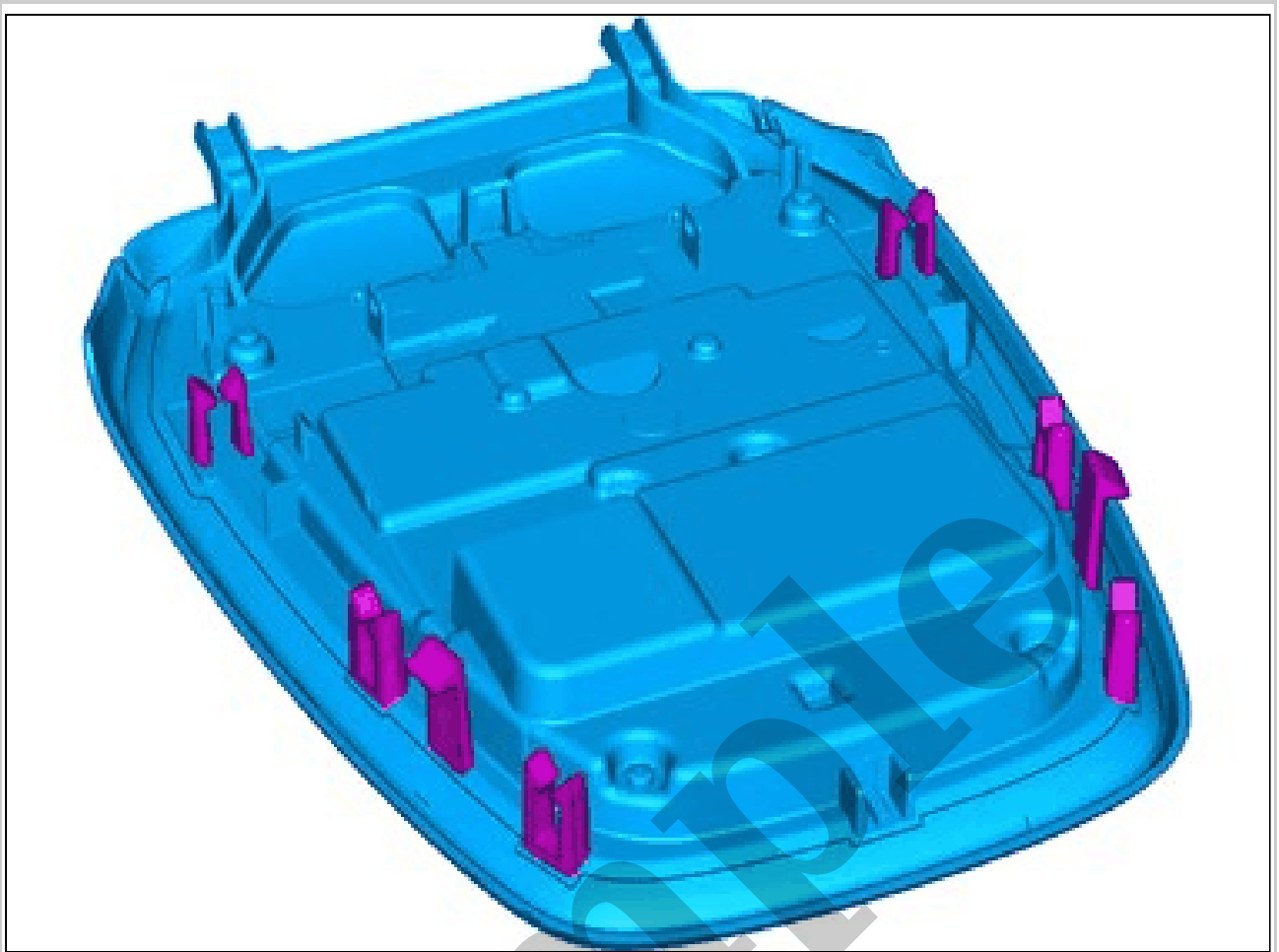
**PARKING ASSISTANCE SENSOR, REAR, OUTER > PARKING ASSISTANCE SENSOR,
REAR, OUTER [2021-2022, B4204T18 | 2021-2022, B4204T47] > REMOVAL**

Set the vehicle to Inactive mode, described in user mode. Refer to: USAGE MODE



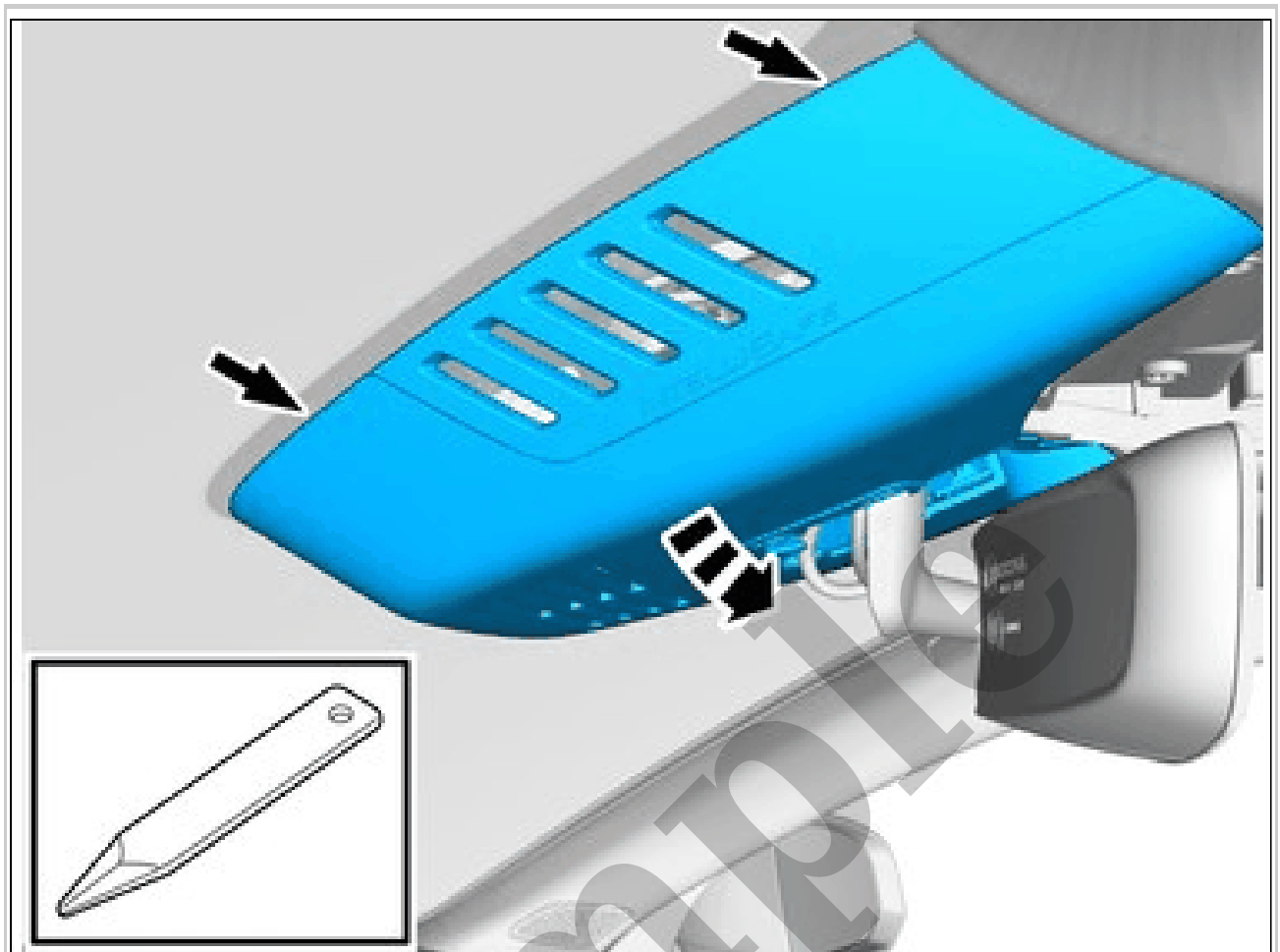
Courtesy of VOLVO CARS CORPORATION

NOTE: *The graphic shows the back of the component before removal.*



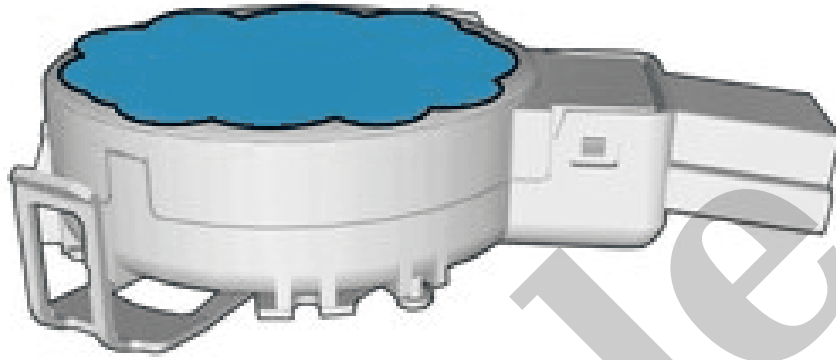
Courtesy of VOLVO CARS CORPORATION

NOTE: *The graphic shows the back of the component before removal.*



Courtesy of VOLVO CARS CORPORATION

Release the catches.
Repeat on the other side.
Remove the marked part.
Use: Interior trim remover

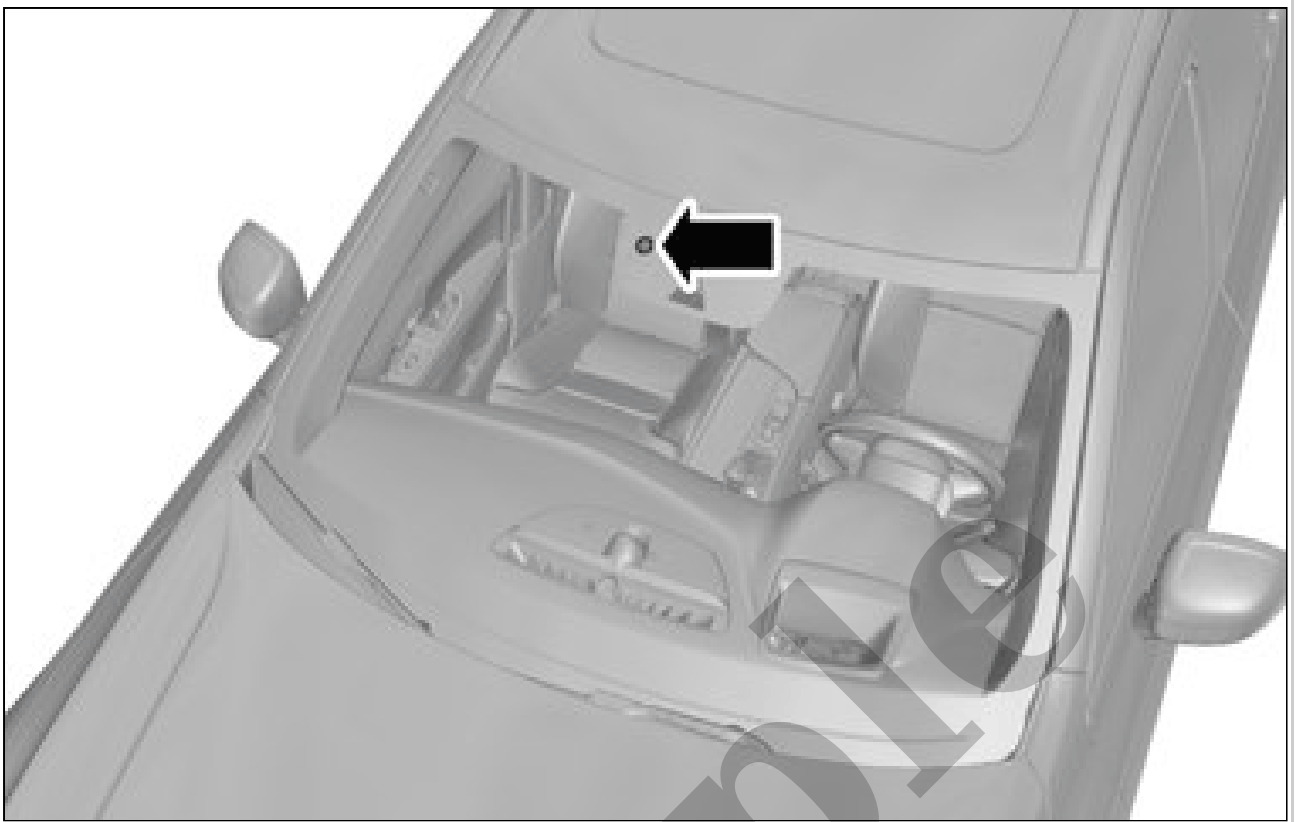


Courtesy of VOLVO CARS CORPORATION

NOTE: *This step is not necessary when installing a new component.*

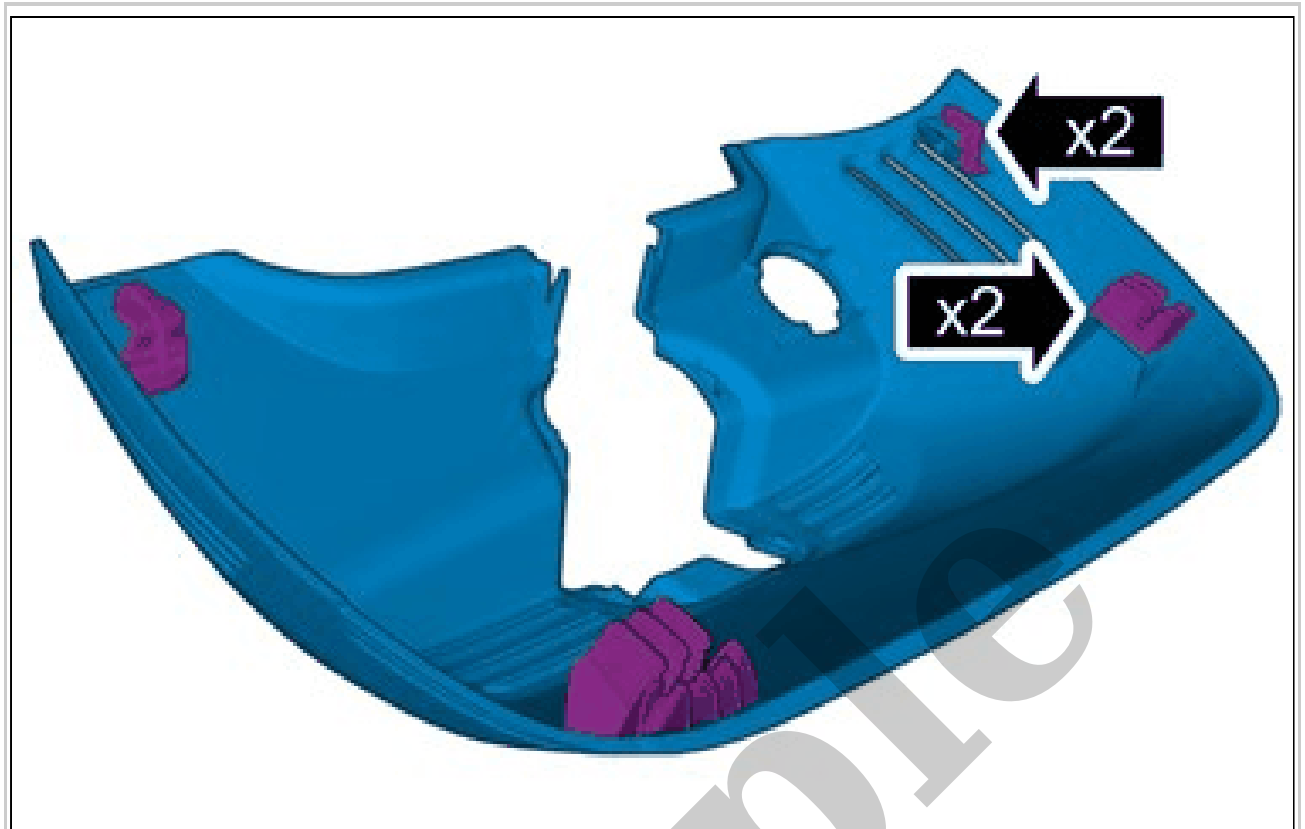
Clean the surface.

Use: Isopropanol, 1161721



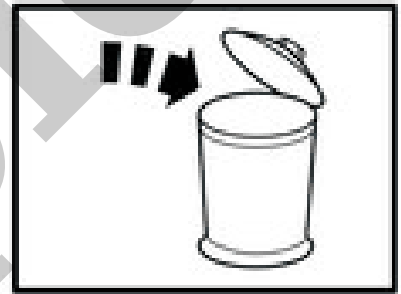
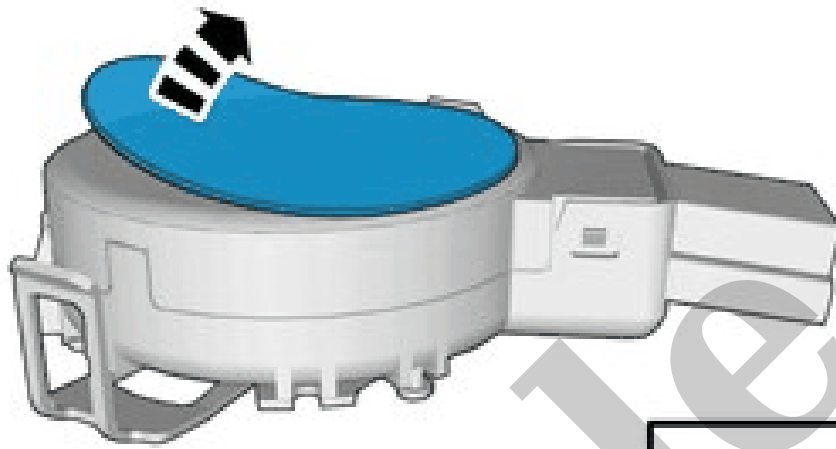
Courtesy of VOLVO CARS CORPORATION

NOTE: *Orientation view*



Courtesy of VOLVO CARS CORPORATION

Sample



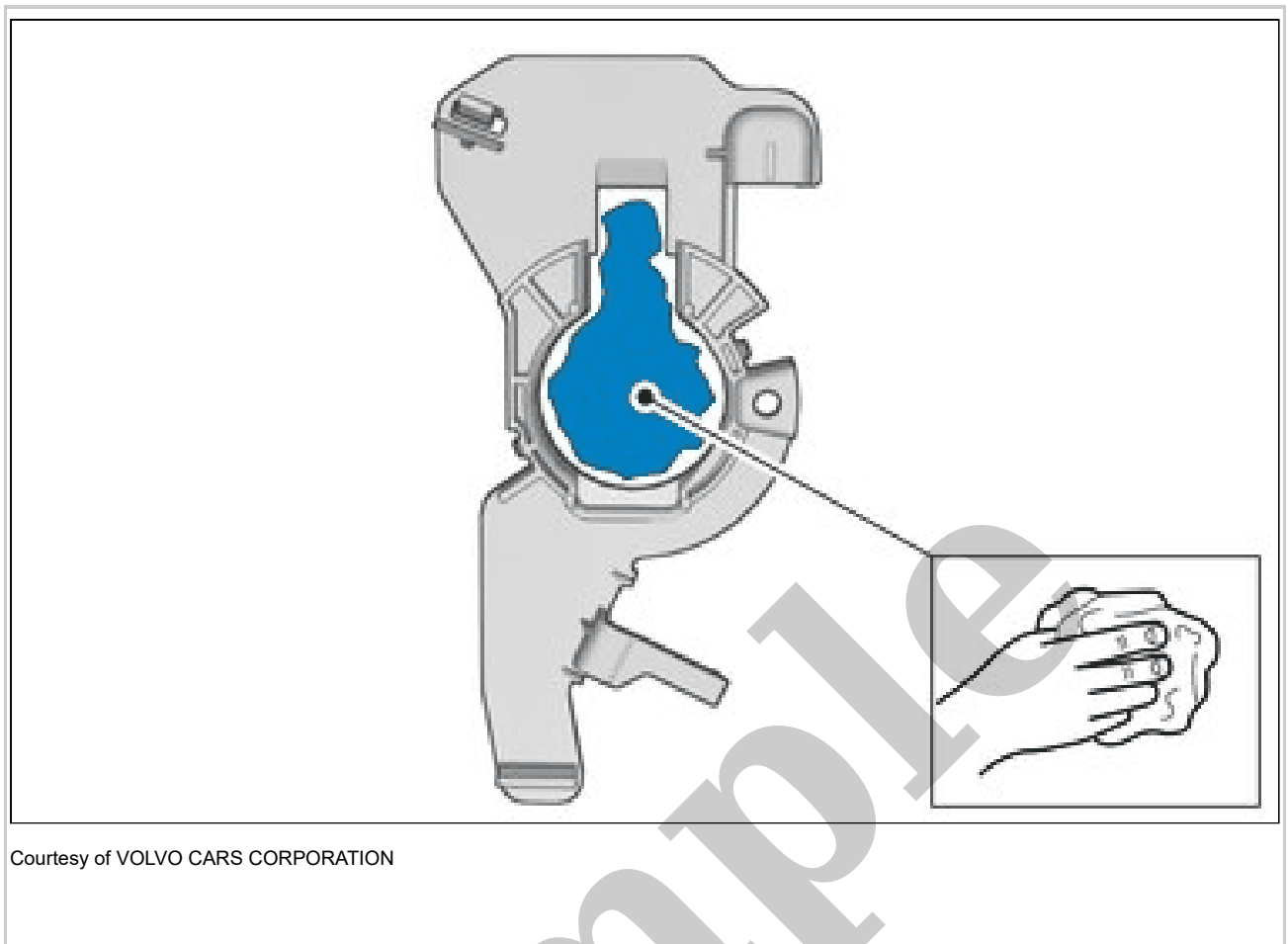
Courtesy of VOLVO CARS CORPORATION

NOTE: *This step is not necessary when installing a new component.*

NOTE: *Use a new seal.*

Remove the marked part.
The part is not to be reused.

RAIN AND LIGHT SENSOR RLSM > RAIN AND LIGHT SENSOR RLSM [2018-2020 | 2021-2022, B4204T18 | 2021-2022, B4204T47] > INSTALLATION



Courtesy of VOLVO CARS CORPORATION

CAUTION: Make sure that the surface is clean and free of foreign material.

CAUTION: Use lint free cloth.

Use: Cleaning agent, 1161721 **Use:** Window cleaner,
To install, reverse the removal procedure.
Perform rain sensor check. Refer to: RAIN SENSOR, CHECK

REMOTE KEY SLIDER > REMOTE KEY SLIDER [2018-2022] > REMOVAL