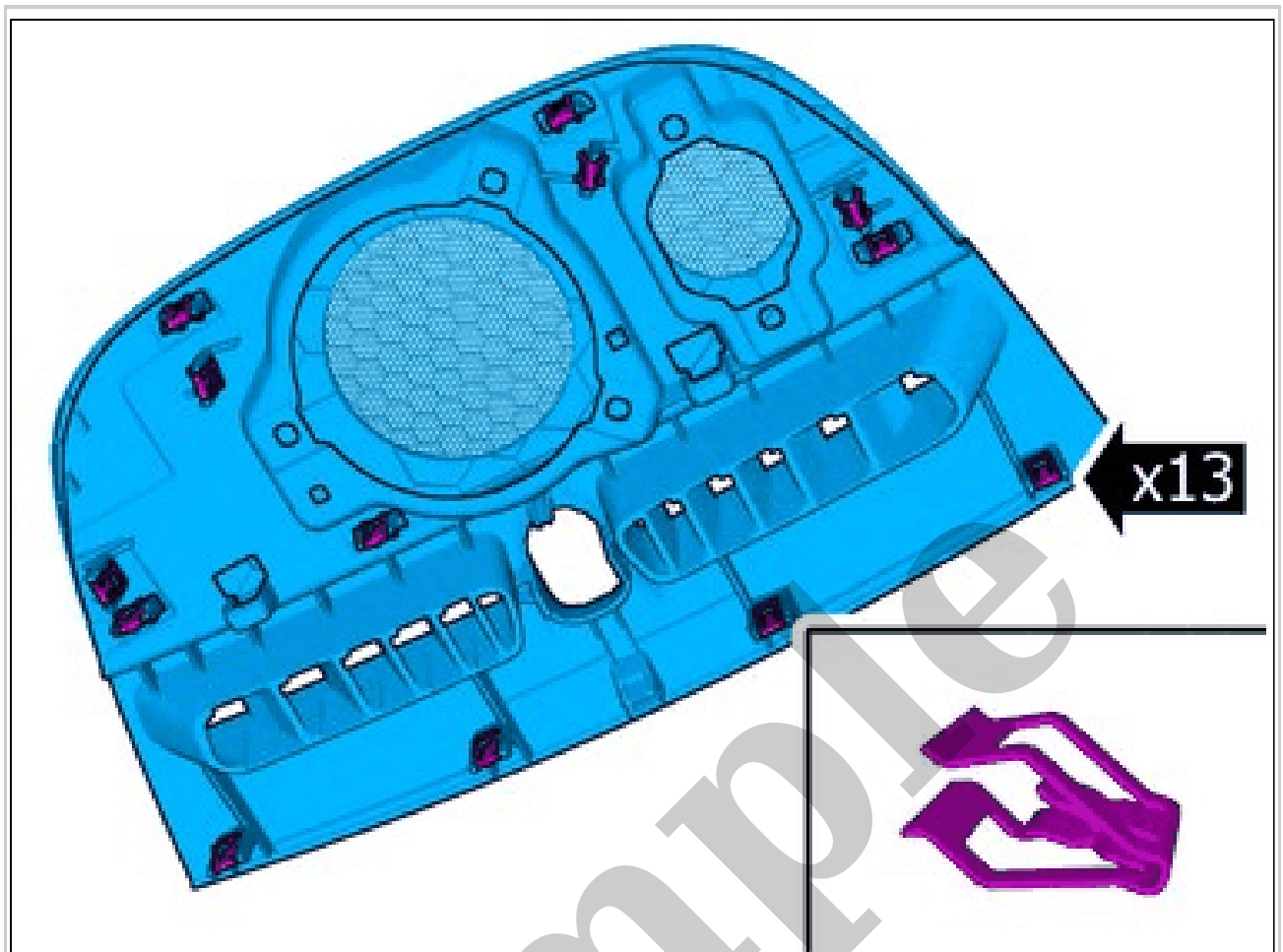


# Your Ultimate Source for OEM Repair Manuals

FactoryManuals.net is a great resource for anyone who wants to save money on repairs by doing their own work. The manuals provide detailed instructions and diagrams that make it easy to understand how to fix a vehicle.

## 1993 VOLVO 850 Estate OEM Service and Repair Workshop Manual

[Go to manual page](#)



Courtesy of VOLVO CARS CORPORATION

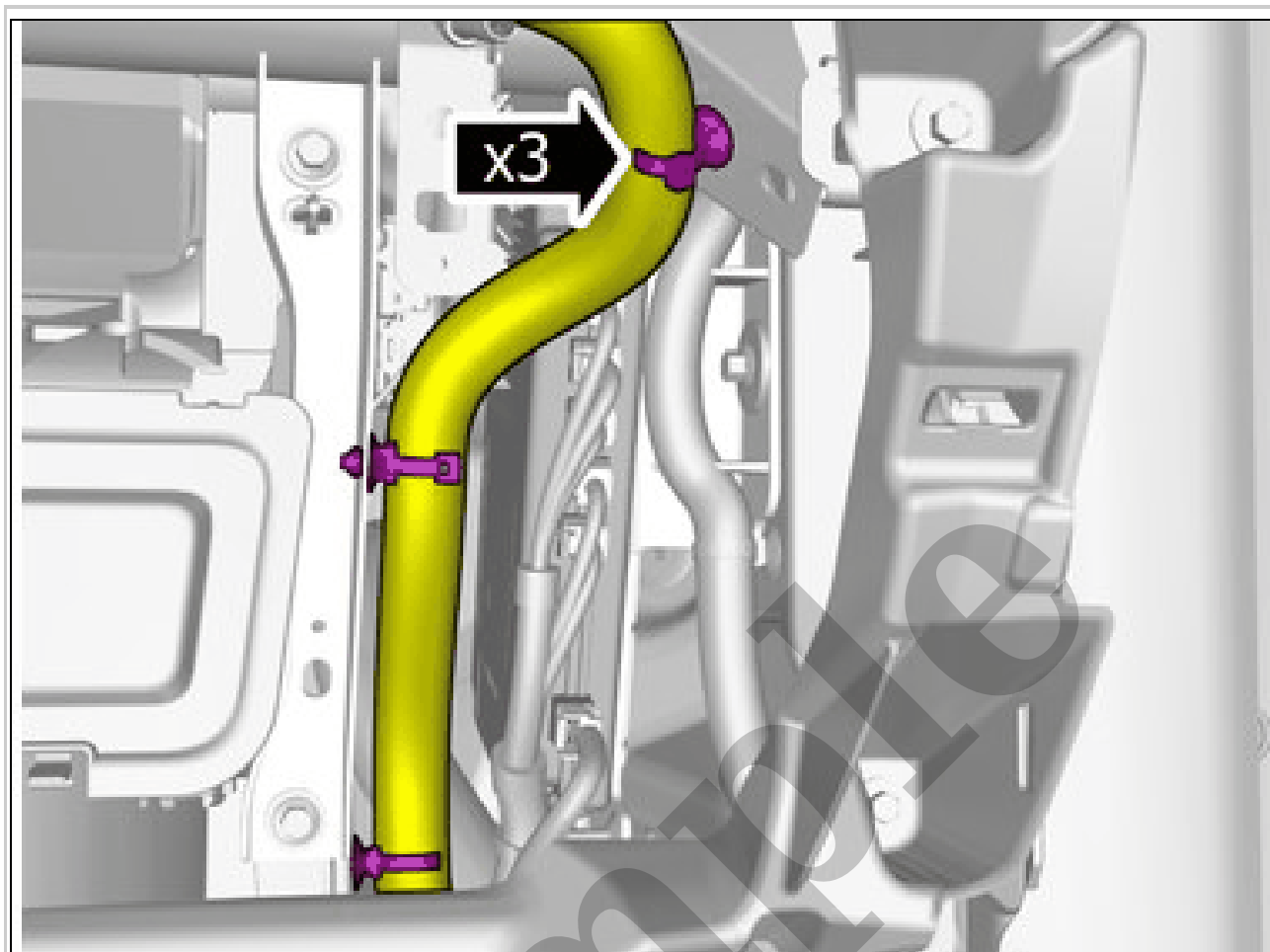
**NOTE:** *The graphic shows the back of the component before removal.*



Courtesy of VOLVO CARS CORPORATION

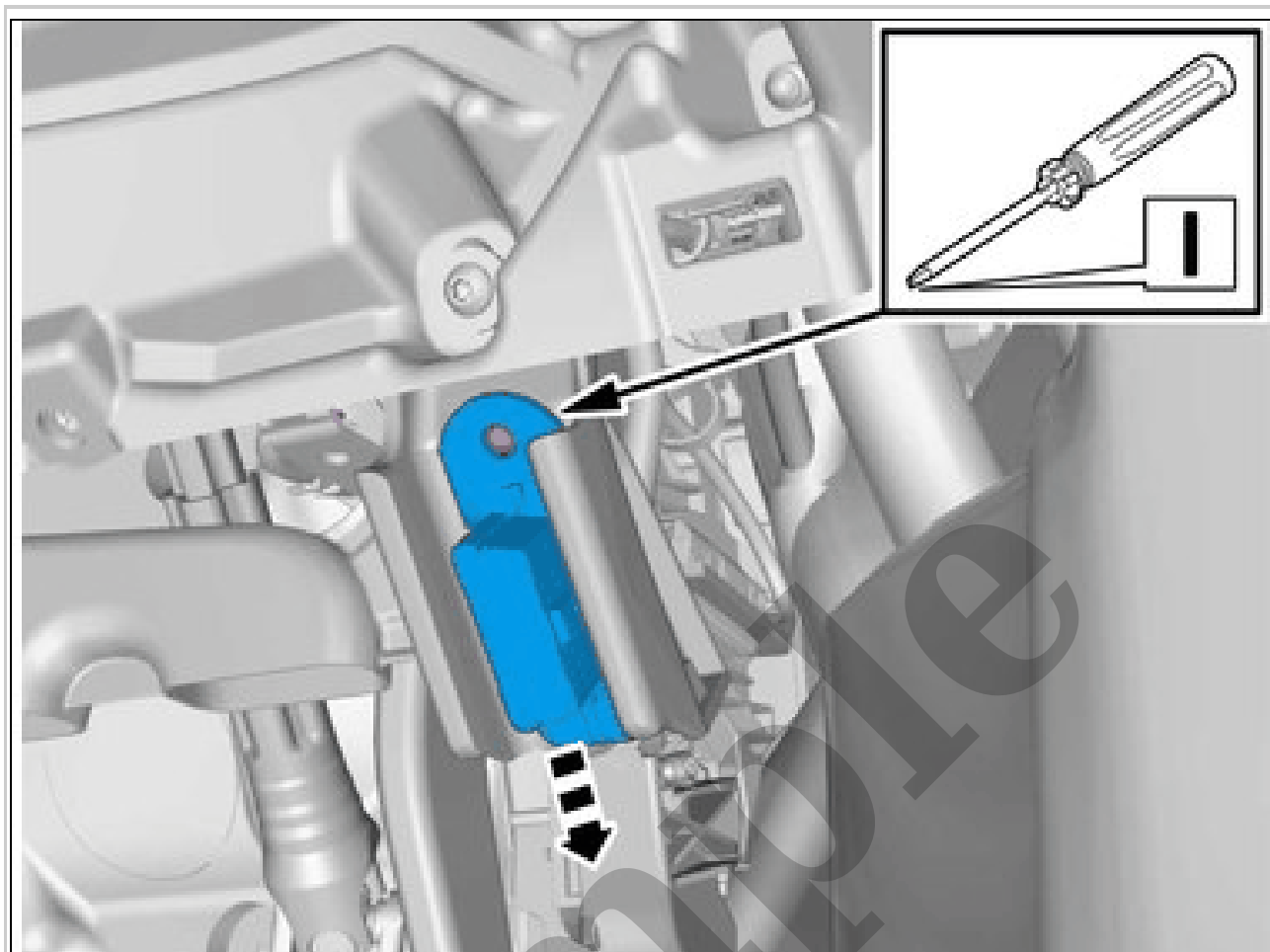
**NOTE:** *Orientation view*

Set the vehicle to Inactive mode, described in user mode. Refer to: USAGE MODE  
Remove glove compartment. Refer to: GLOVE COMPARTMENT



Courtesy of VOLVO CARS CORPORATION

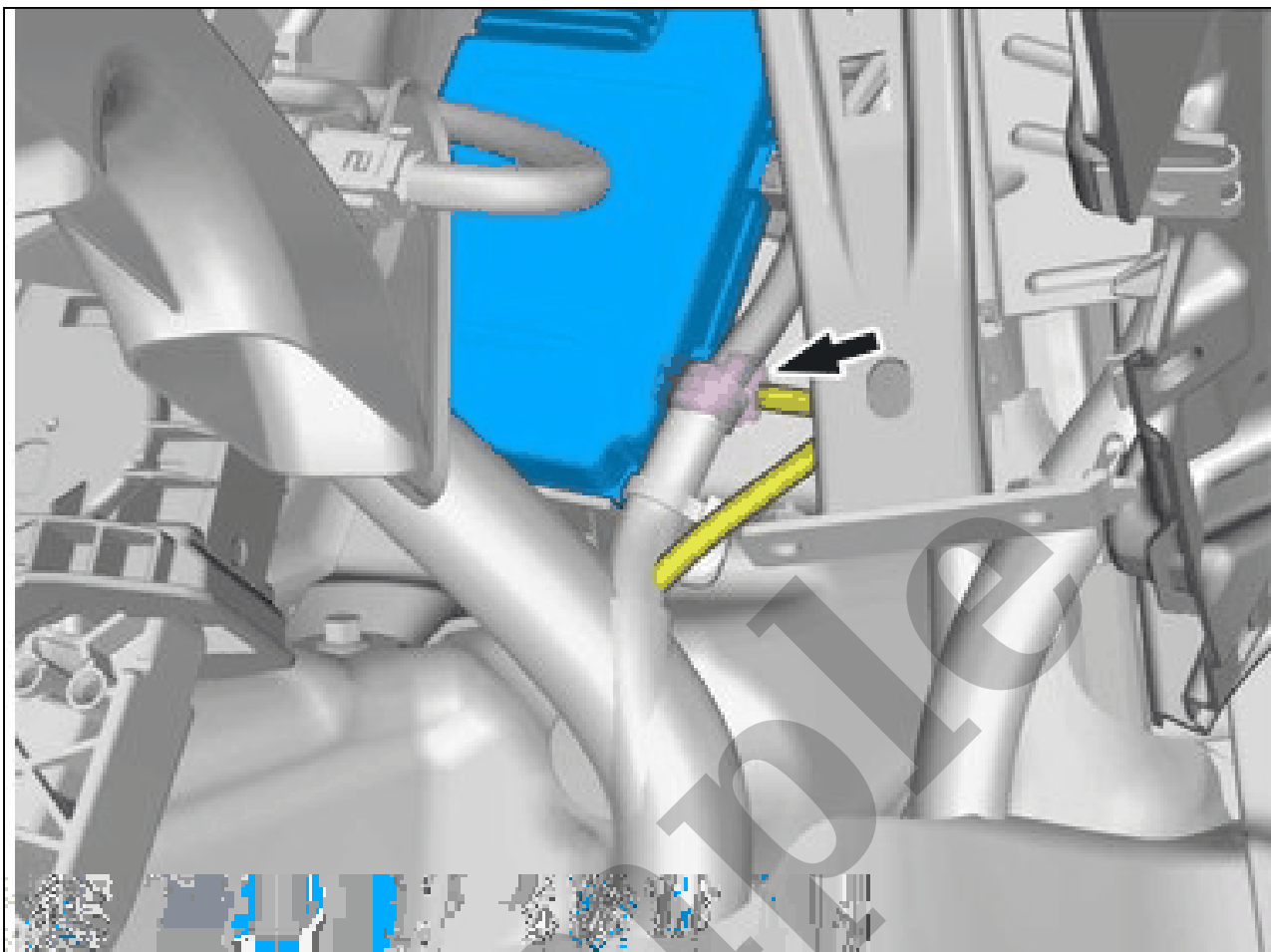
Loosen the clips.  
Fold marked part aside.



Courtesy of VOLVO CARS CORPORATION

Remove the marked part.

**Use:** Electrician's screwdriver

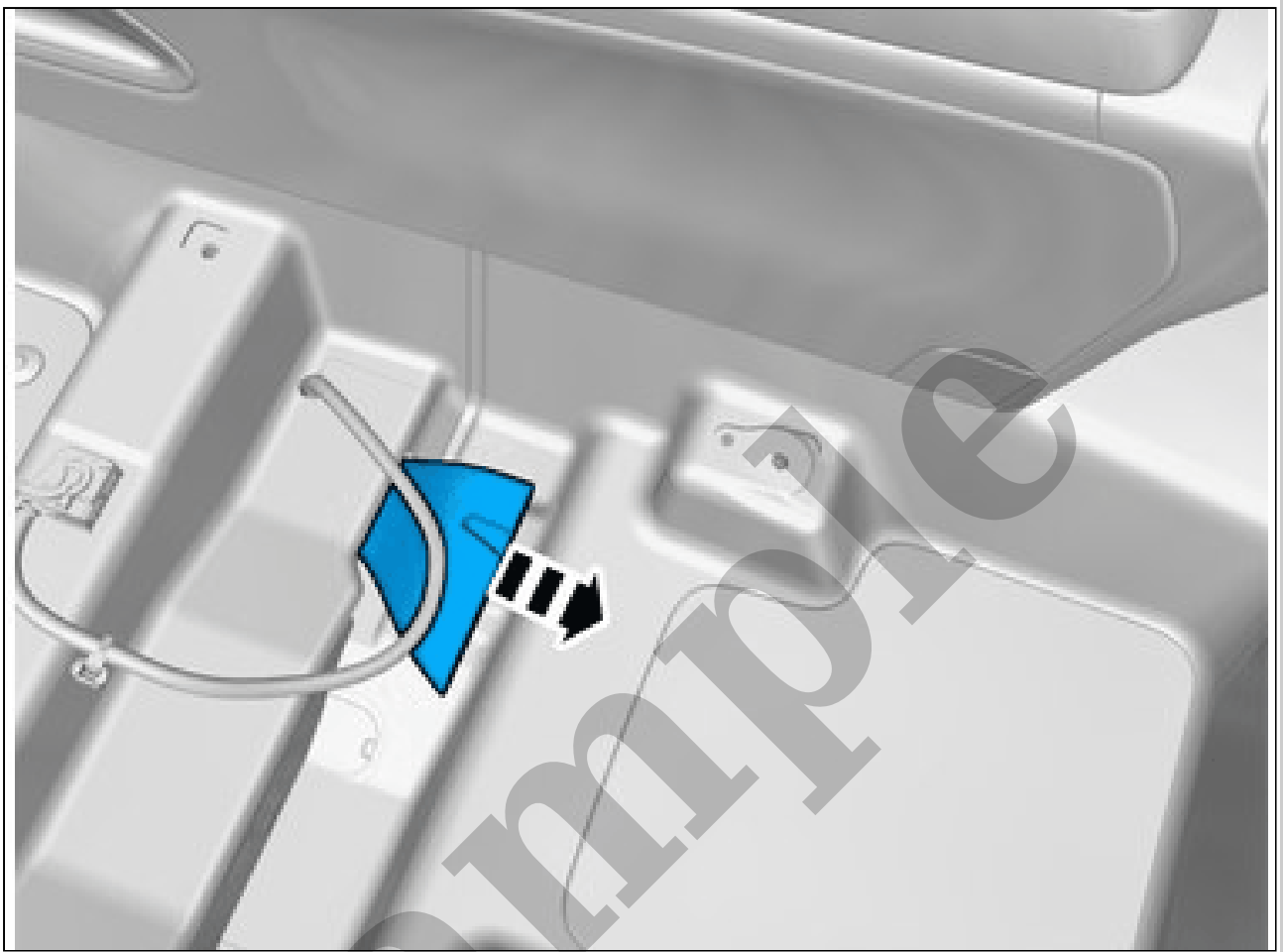


Courtesy of VOLVO CARS CORPORATION

View from below  
Disconnect the connector.  
**VEHICLES EARLY VERSION**

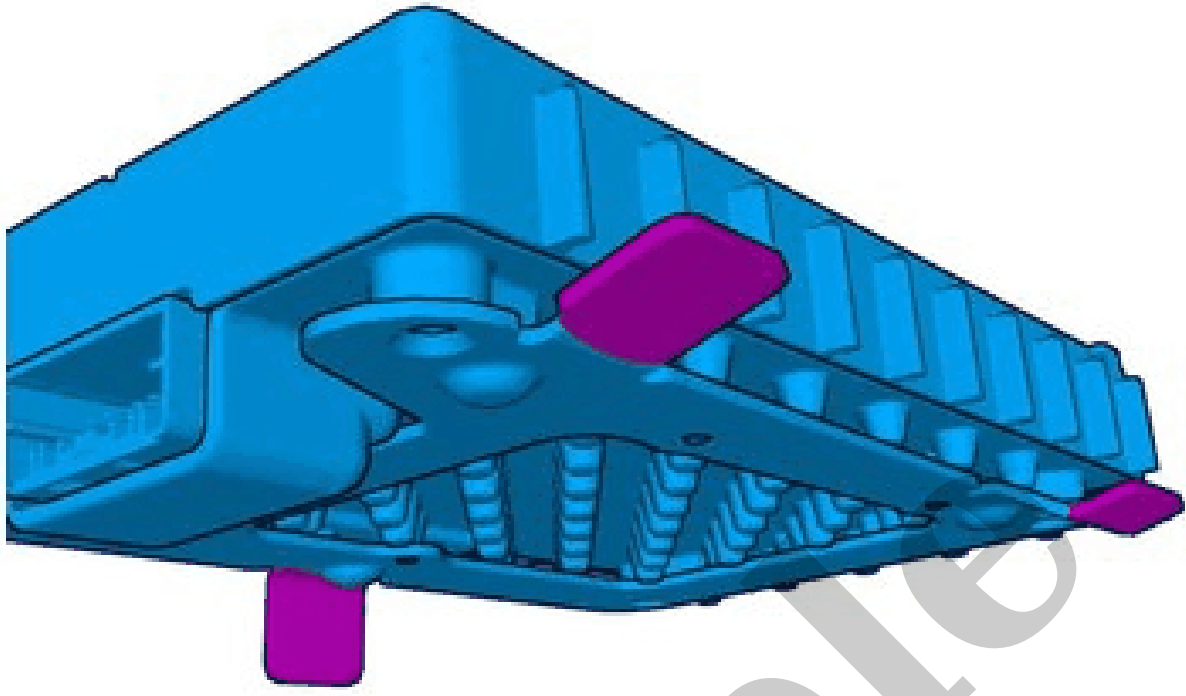
## OBDFIREWALLMODULE > OBDFIREWALLMODULE (OFM) [2018-2020] > REMOVAL

Remove front seat. Refer to: FRONT SEAT



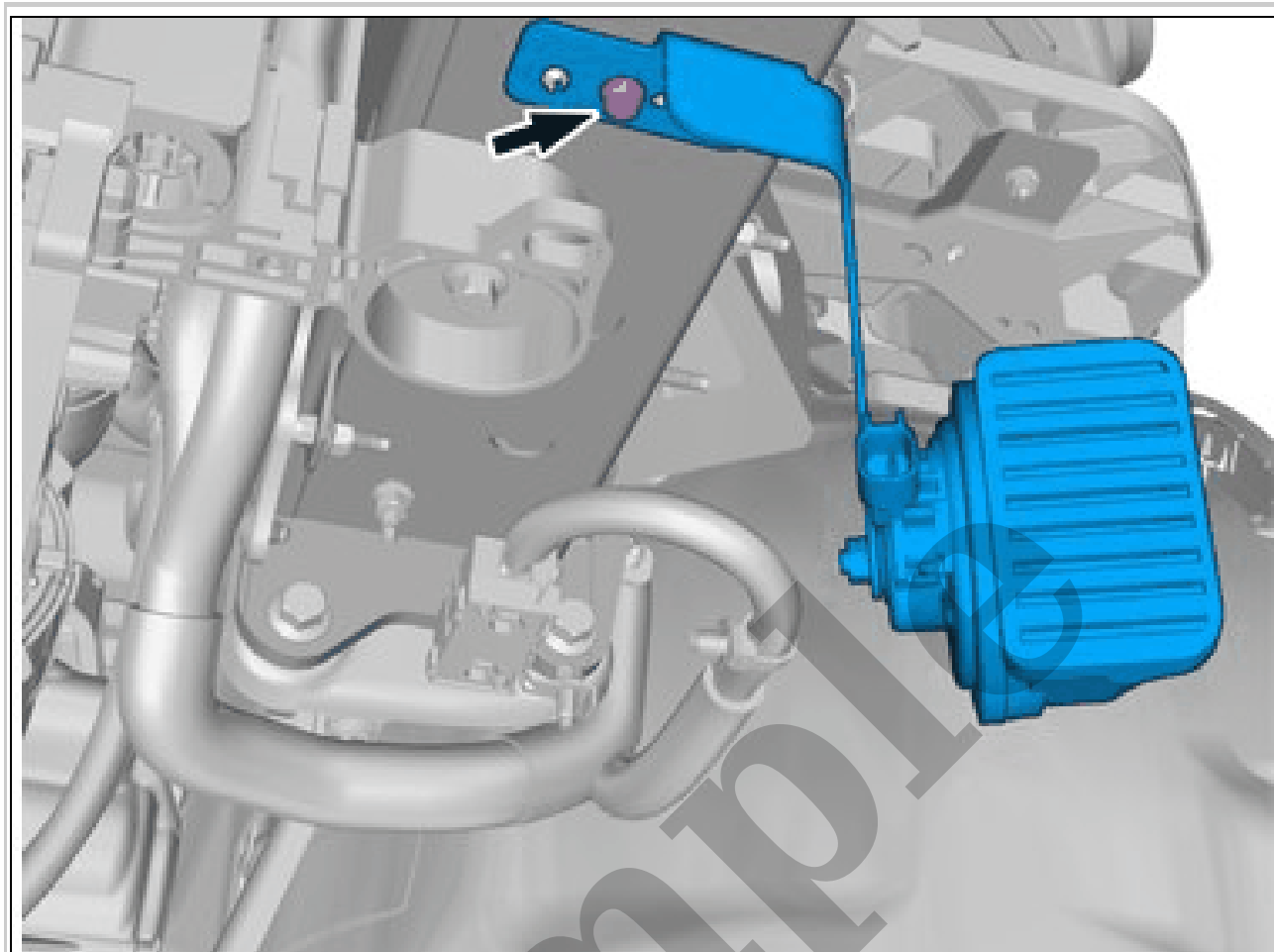
Courtesy of VOLVO CARS CORPORATION

Remove the marked part.



Courtesy of VOLVO CARS CORPORATION





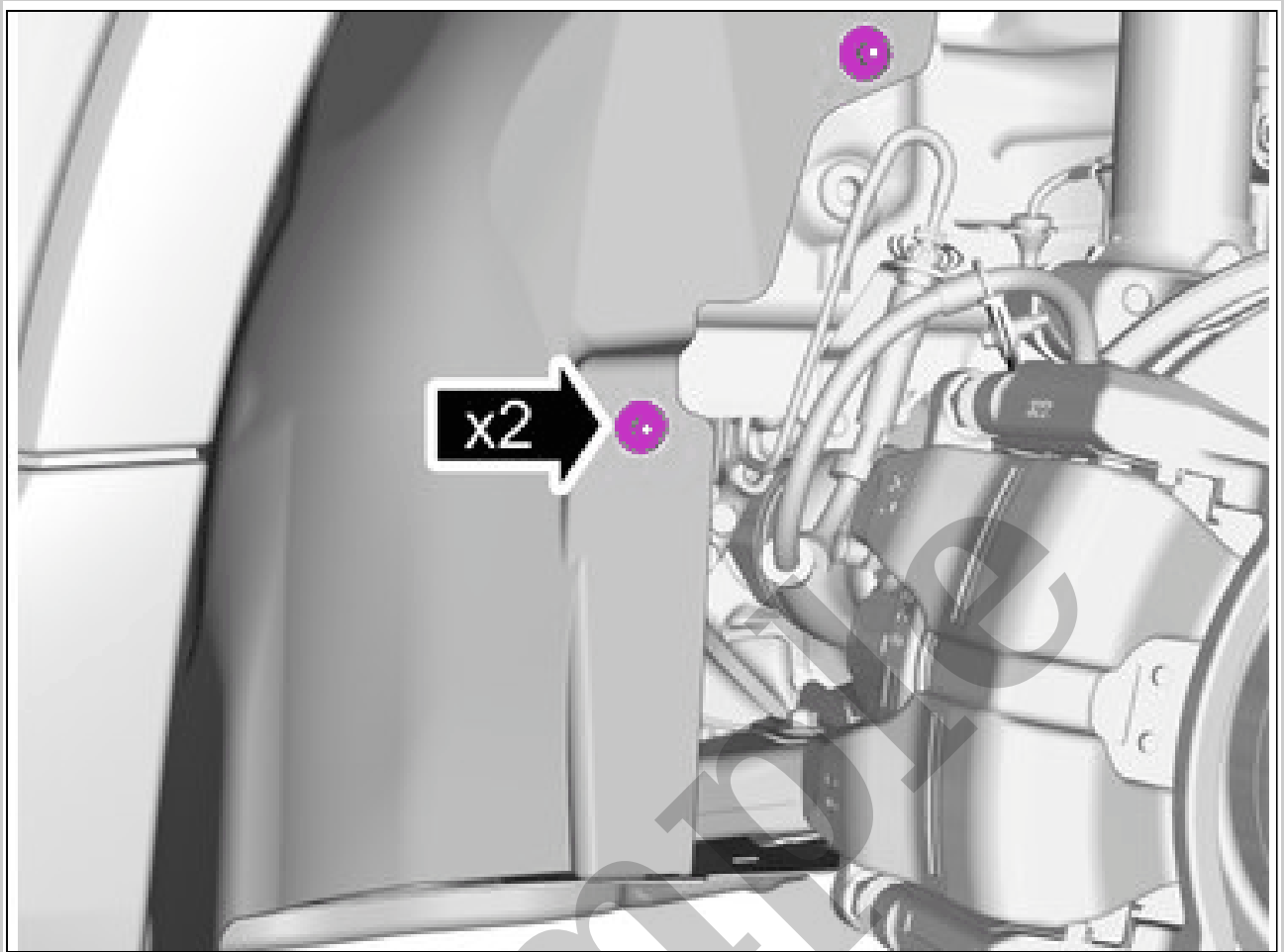
Courtesy of VOLVO CARS CORPORATION

Remove the screw.

**Torque:** M6, 10Nm

Remove the marked part.

**APPLIES TO THE RIGHT-HAND SIDE**



Courtesy of VOLVO CARS CORPORATION

Remove the nuts.