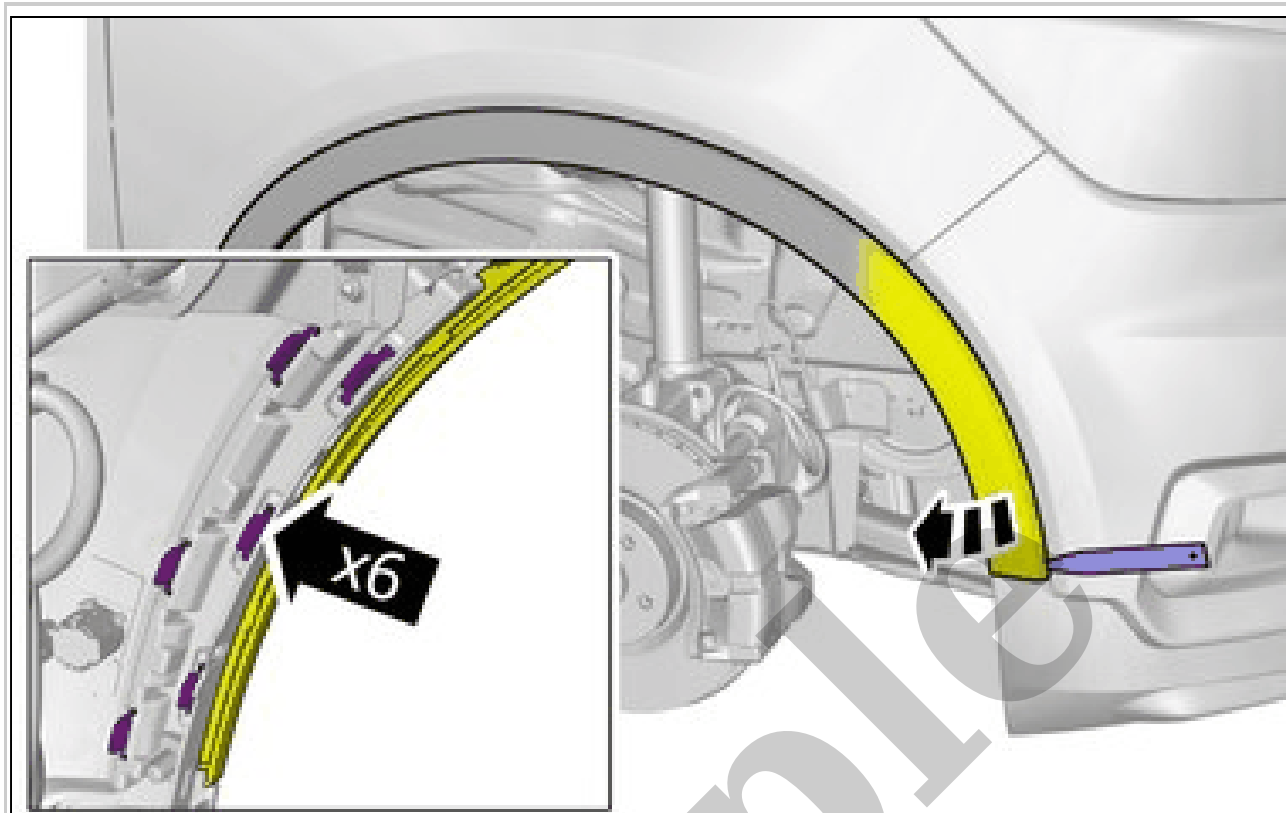


Your Ultimate Source for OEM Repair Manuals

FactoryManuals.net is a great resource for anyone who wants to save money on repairs by doing their own work. The manuals provide detailed instructions and diagrams that make it easy to understand how to fix a vehicle.

1993 VOLVO 460 OEM Service and Repair Workshop Manual

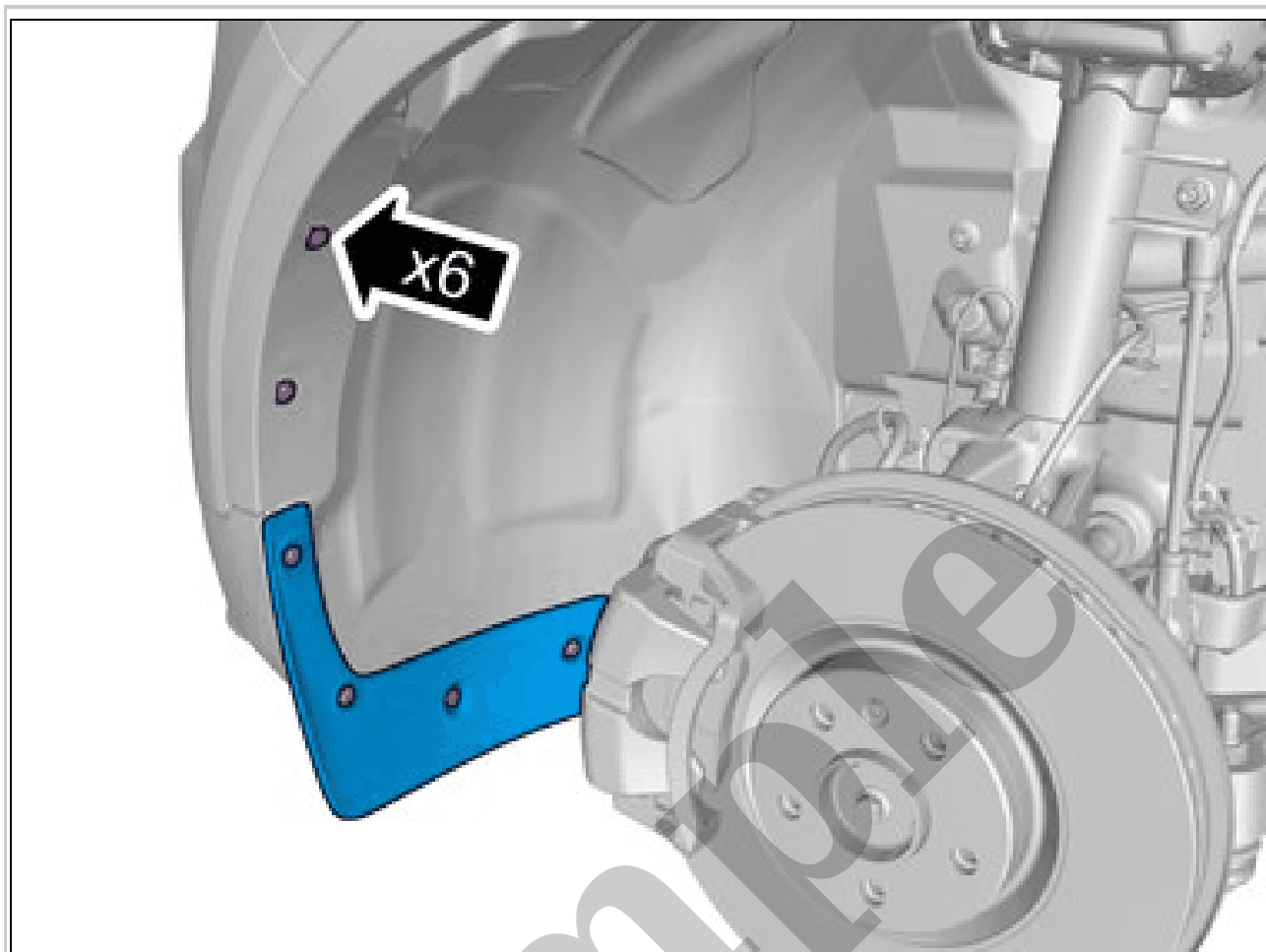
[Go to manual page](#)



Courtesy of VOLVO CARS CORPORATION

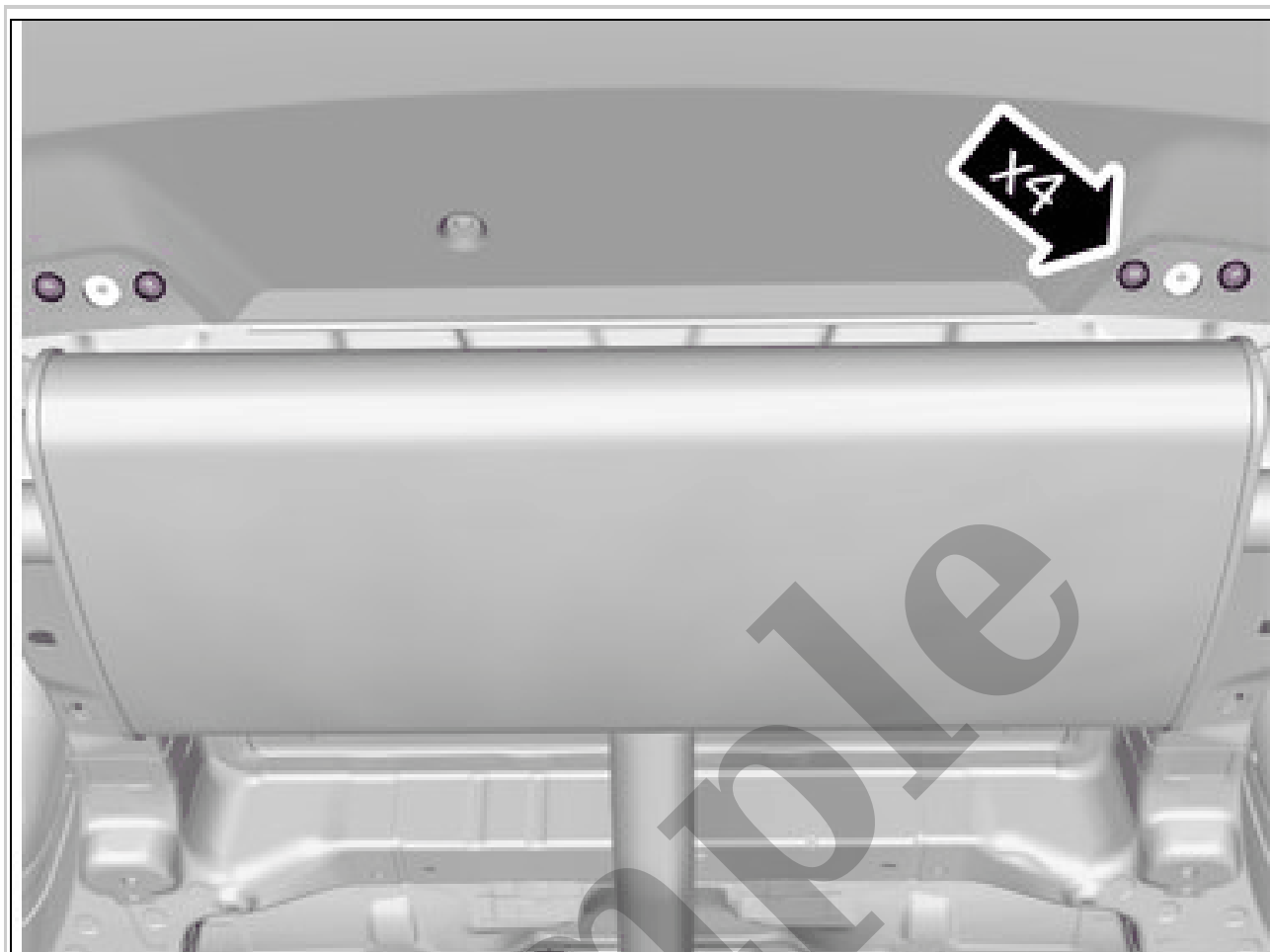
CAUTION: Make sure not to damage painted surfaces.

Loosen the component indicated. Do not remove it.
Use hands only.



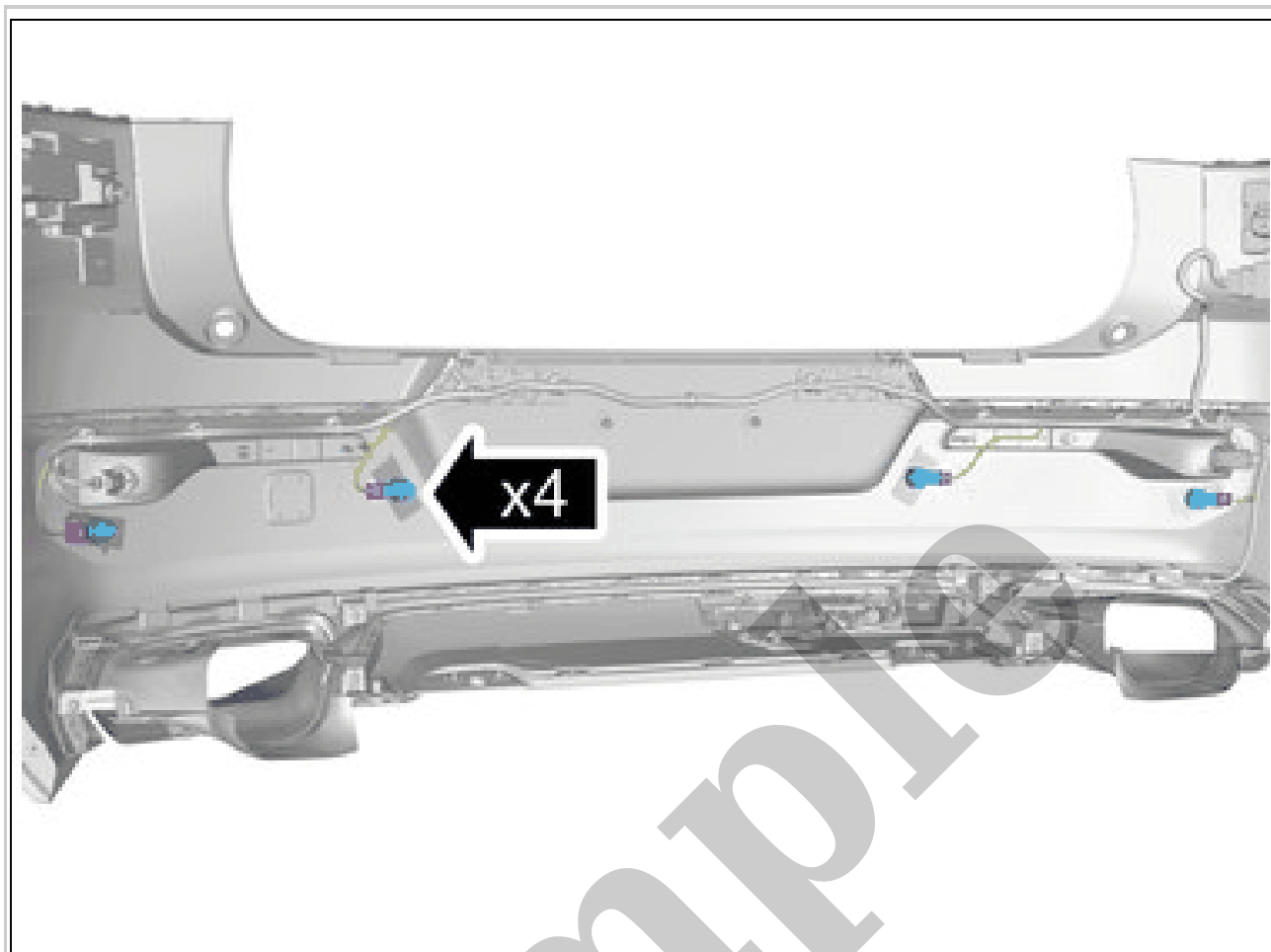
Courtesy of VOLVO CARS CORPORATION

Remove the screws.
Remove the marked part.

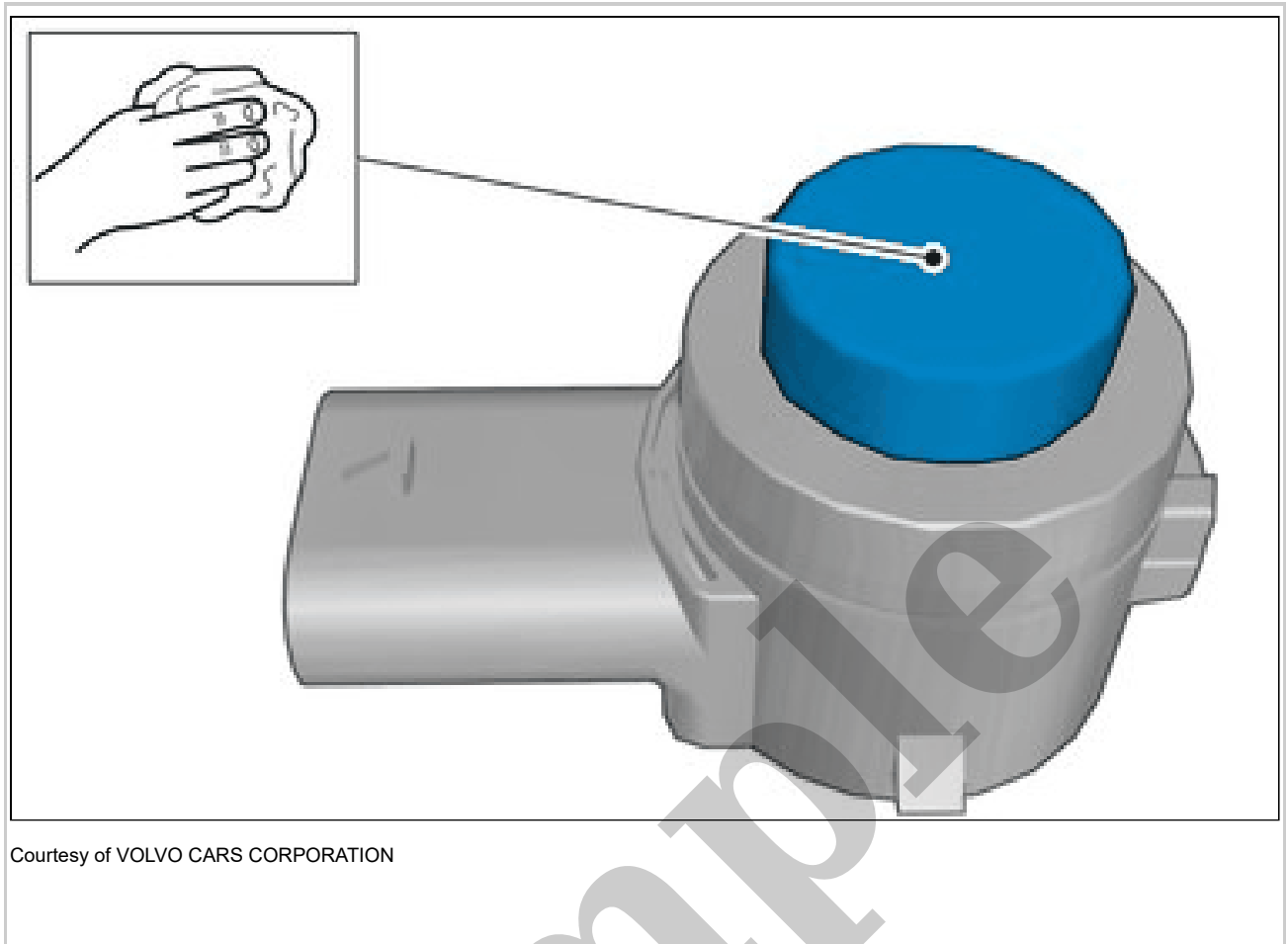


Courtesy of VOLVO CARS CORPORATION

Raise the car.
Remove the screws.

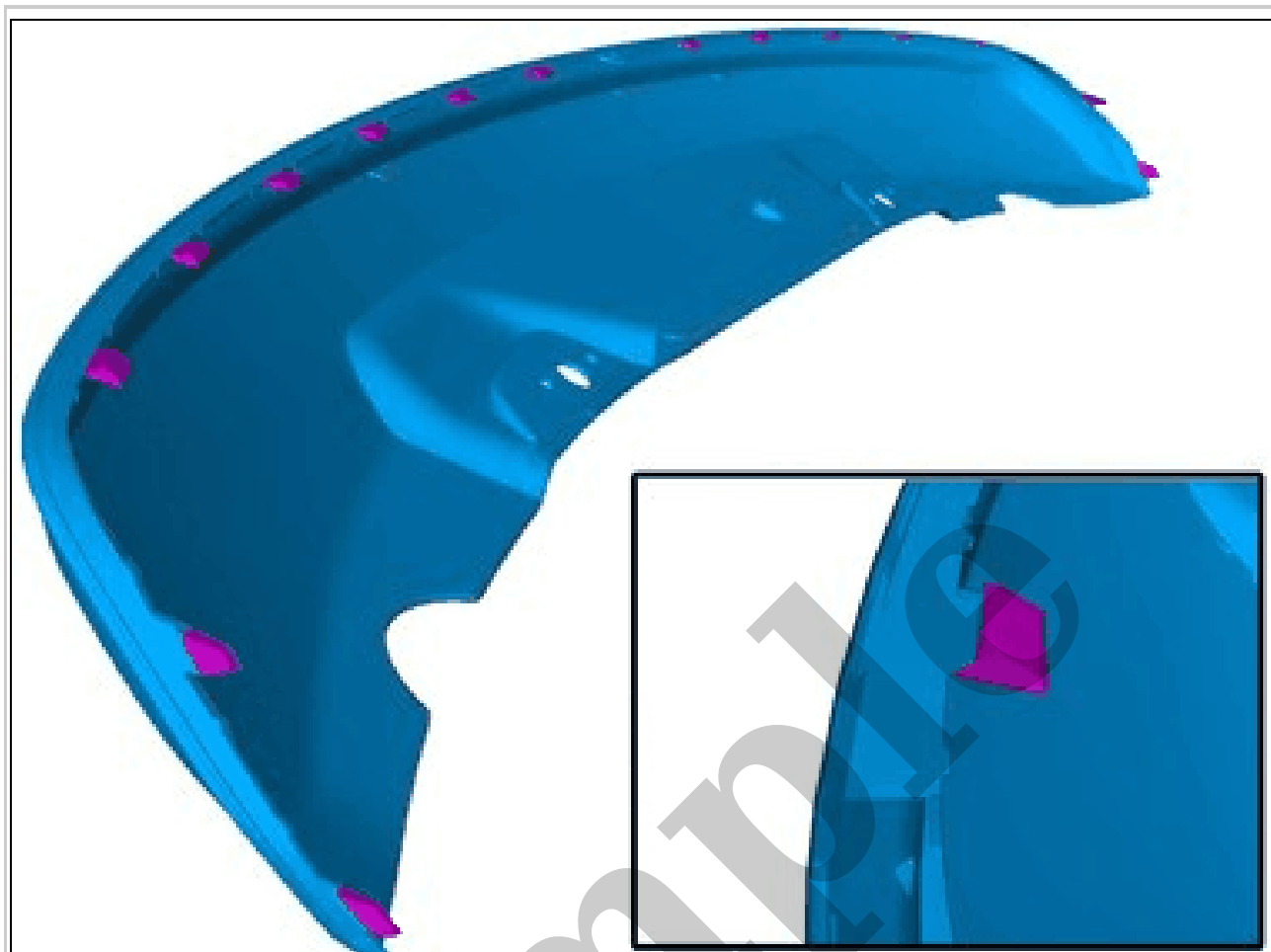


Courtesy of VOLVO CARS CORPORATION



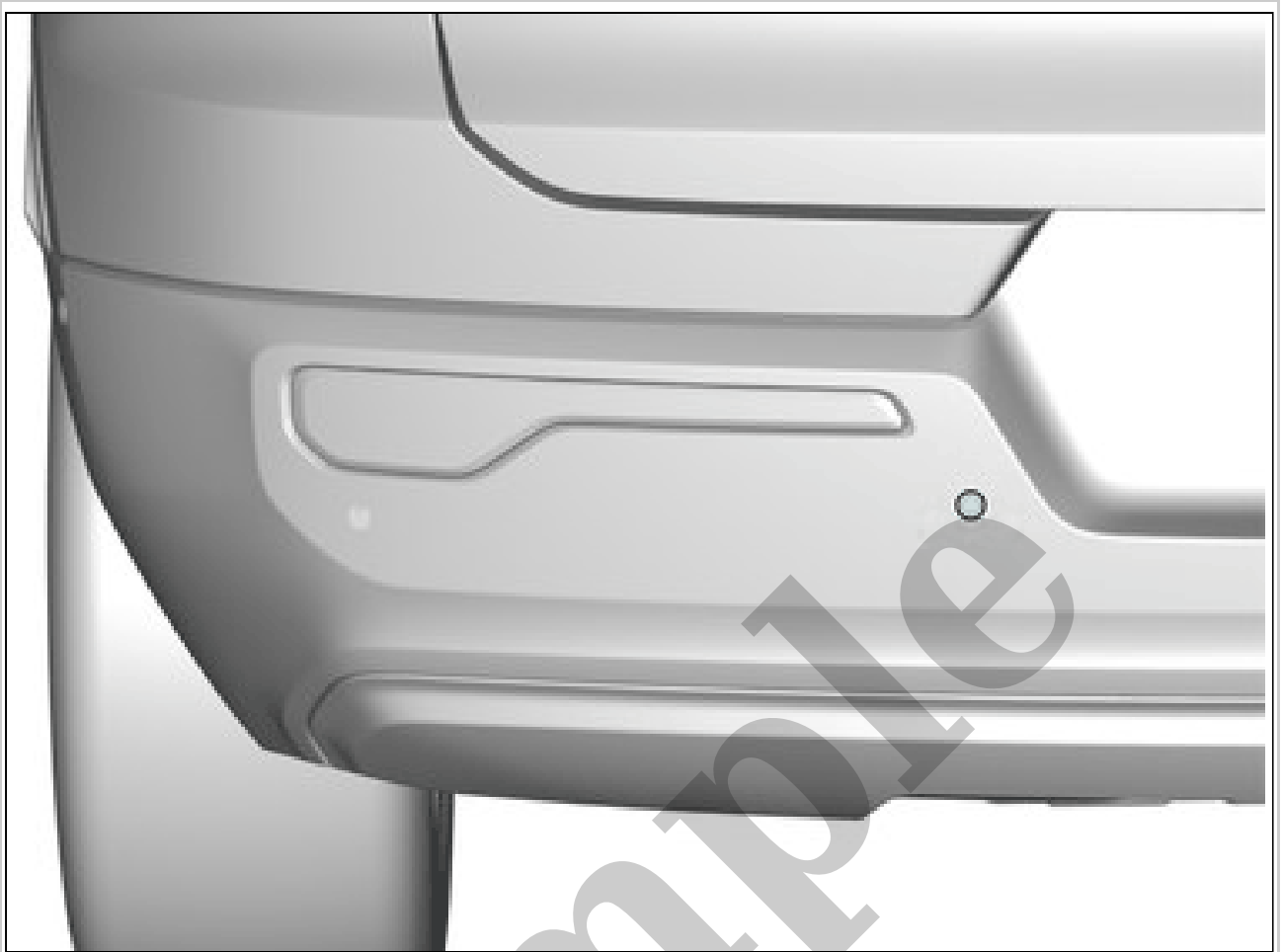
Courtesy of VOLVO CARS CORPORATION

Use: Cleaning agent, 1161721
Allow to dry.



Courtesy of VOLVO CARS CORPORATION

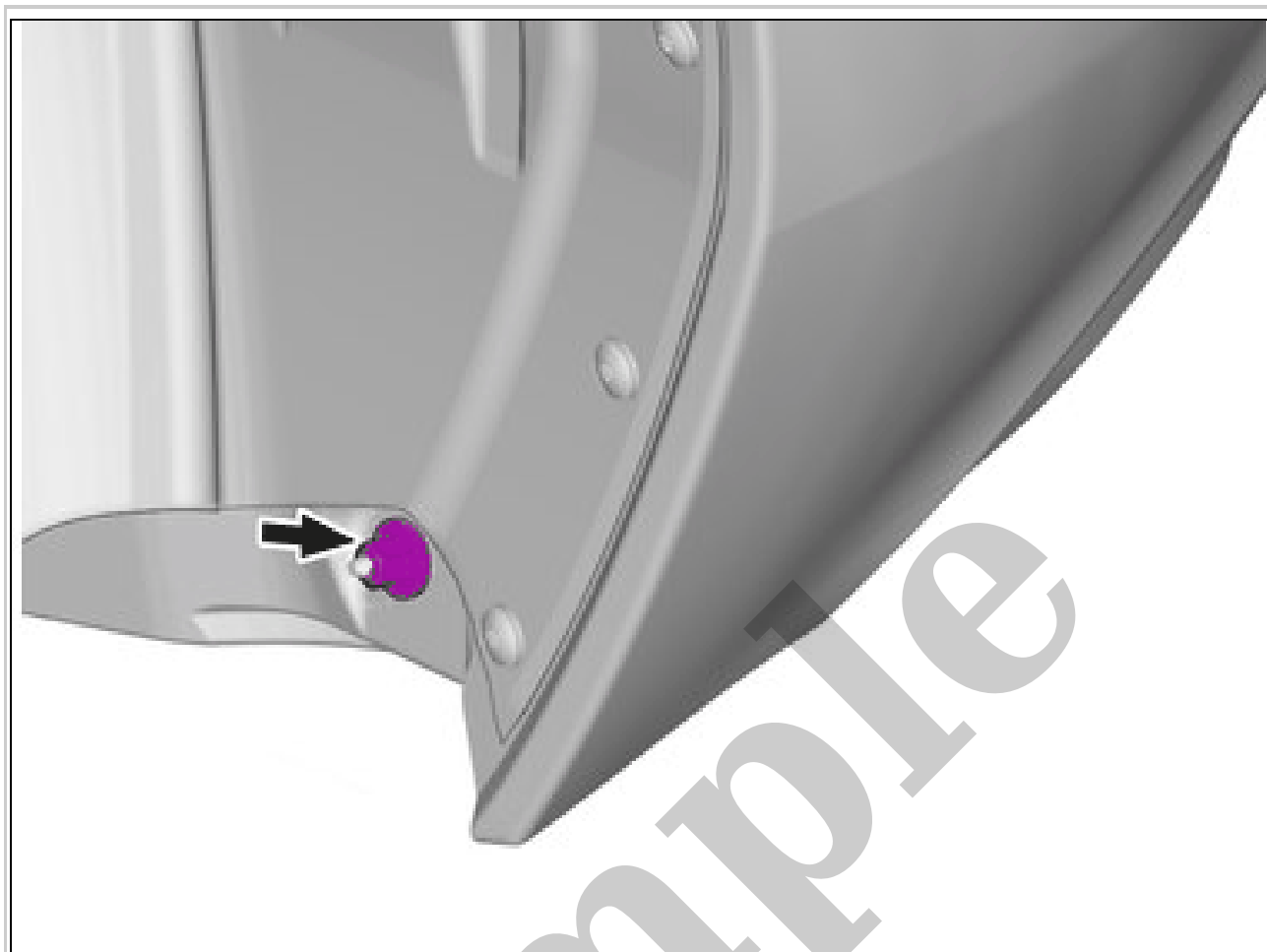
NOTE: *The graphic shows the back of the component before removal.*



Courtesy of VOLVO CARS CORPORATION

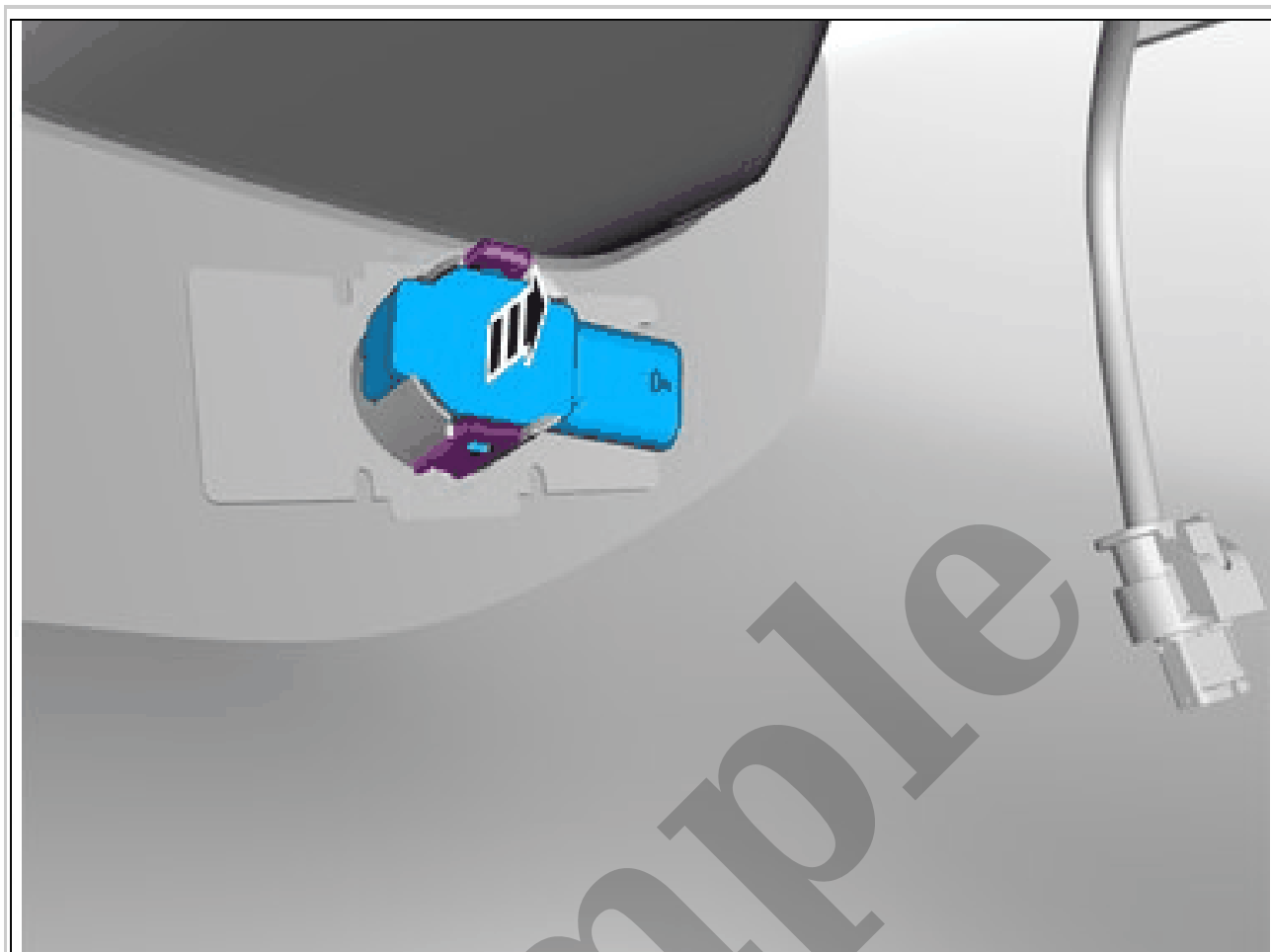
NOTE: *Orientation view*

Remove casing bumper rear. Refer to: COVER BUMPER REAR



Courtesy of VOLVO CARS CORPORATION

Remove the nut.
Repeat on the other side.



Courtesy of VOLVO CARS CORPORATION

Release the catches.
Remove the marked part.

**PARKING ASSISTANCE SENSOR, REAR, OUTER > PARKING ASSISTANCE SENSOR,
REAR, OUTER [2021-2022, E400V6] > INSTALLATION**

To install, reverse the removal procedure.

**PARKING ASSISTANCE SENSOR, REAR, OUTER > PARKING ASSISTANCE SENSOR,
REAR, OUTER [2021-2022, B4204T18 | 2021-2022, B4204T47] > REMOVAL**

Set the vehicle to Inactive mode, described in user mode. Refer to: USAGE MODE