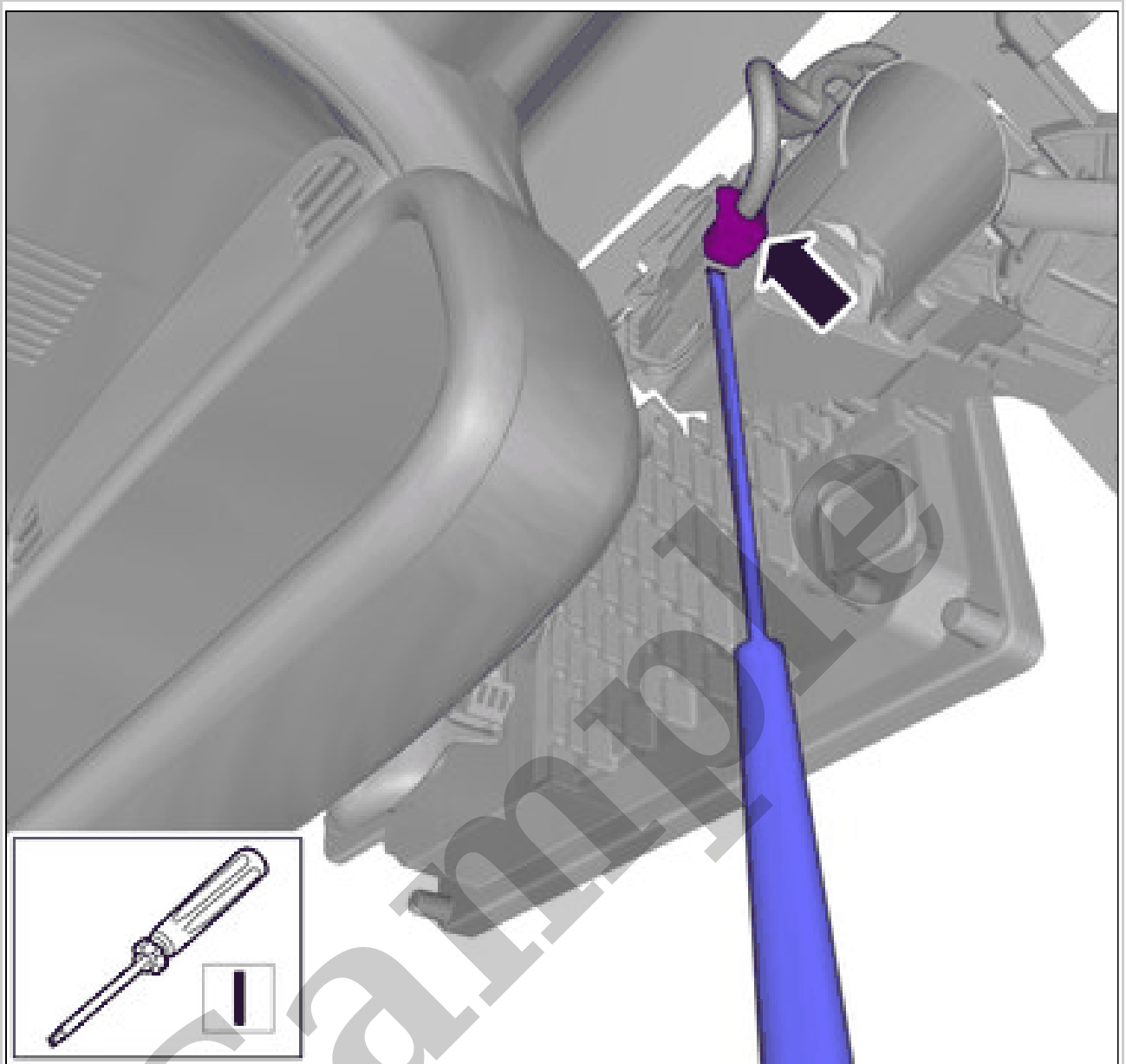


Your Ultimate Source for OEM Repair Manuals

FactoryManuals.net is a great resource for anyone who wants to save money on repairs by doing their own work. The manuals provide detailed instructions and diagrams that make it easy to understand how to fix a vehicle.

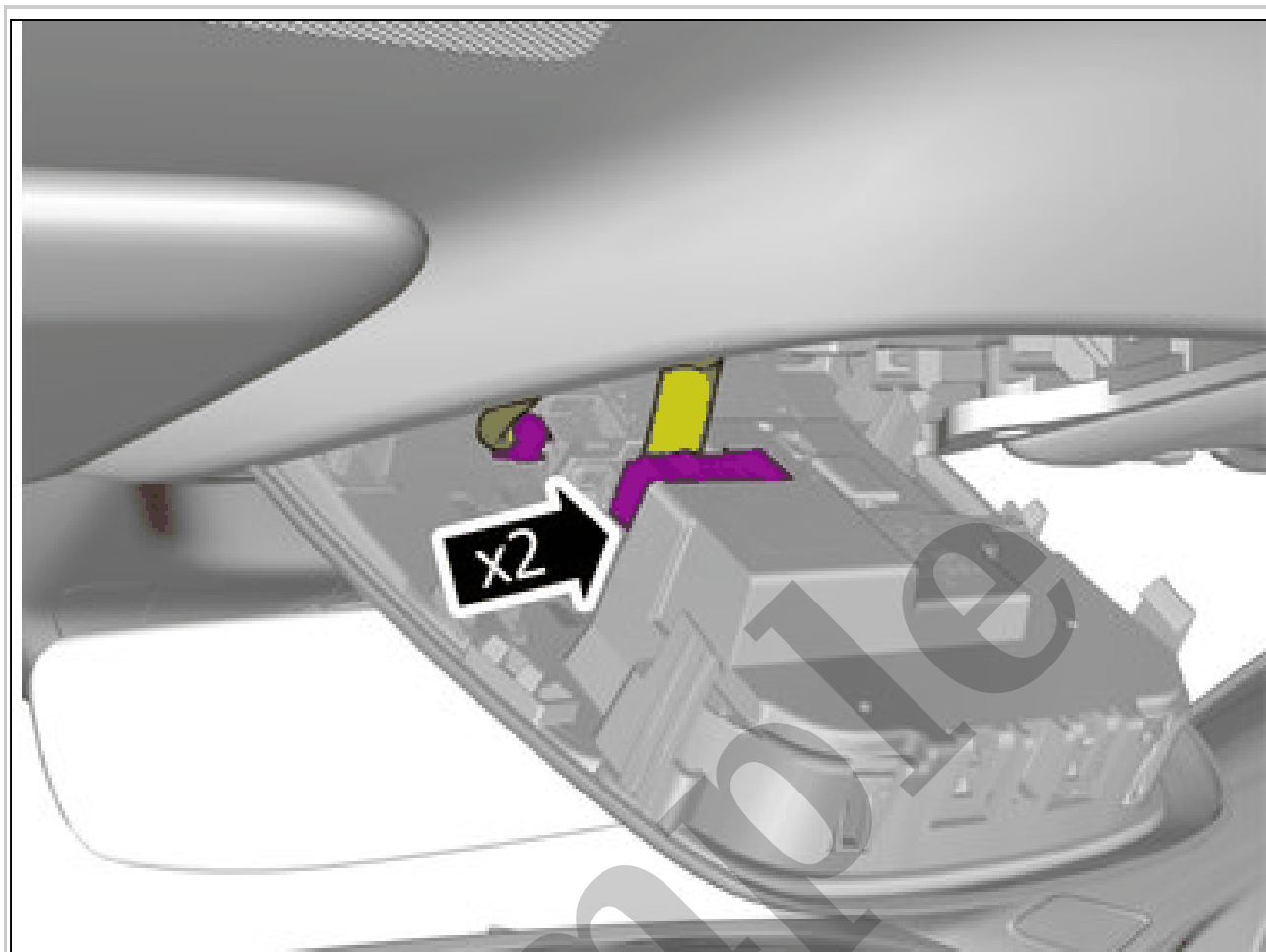
1992 VOLVO 940 OEM Service and Repair Workshop Manual

[Go to manual page](#)



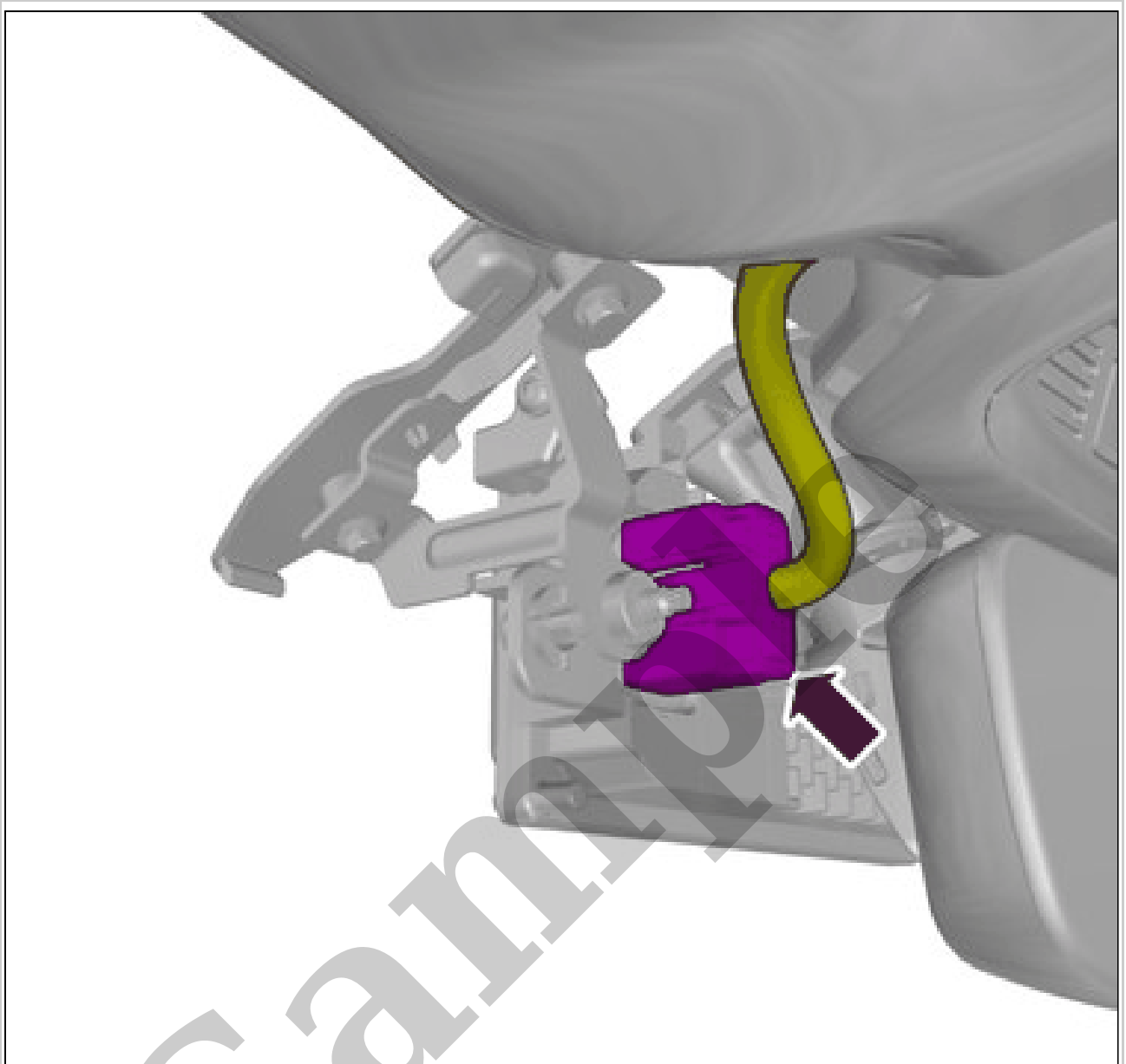
Courtesy of VOLVO CARS CORPORATION

Disconnect the connector.
Fold marked part aside.



Courtesy of VOLVO CARS CORPORATION

Disconnect the connectors.



Courtesy of VOLVO CARS CORPORATION

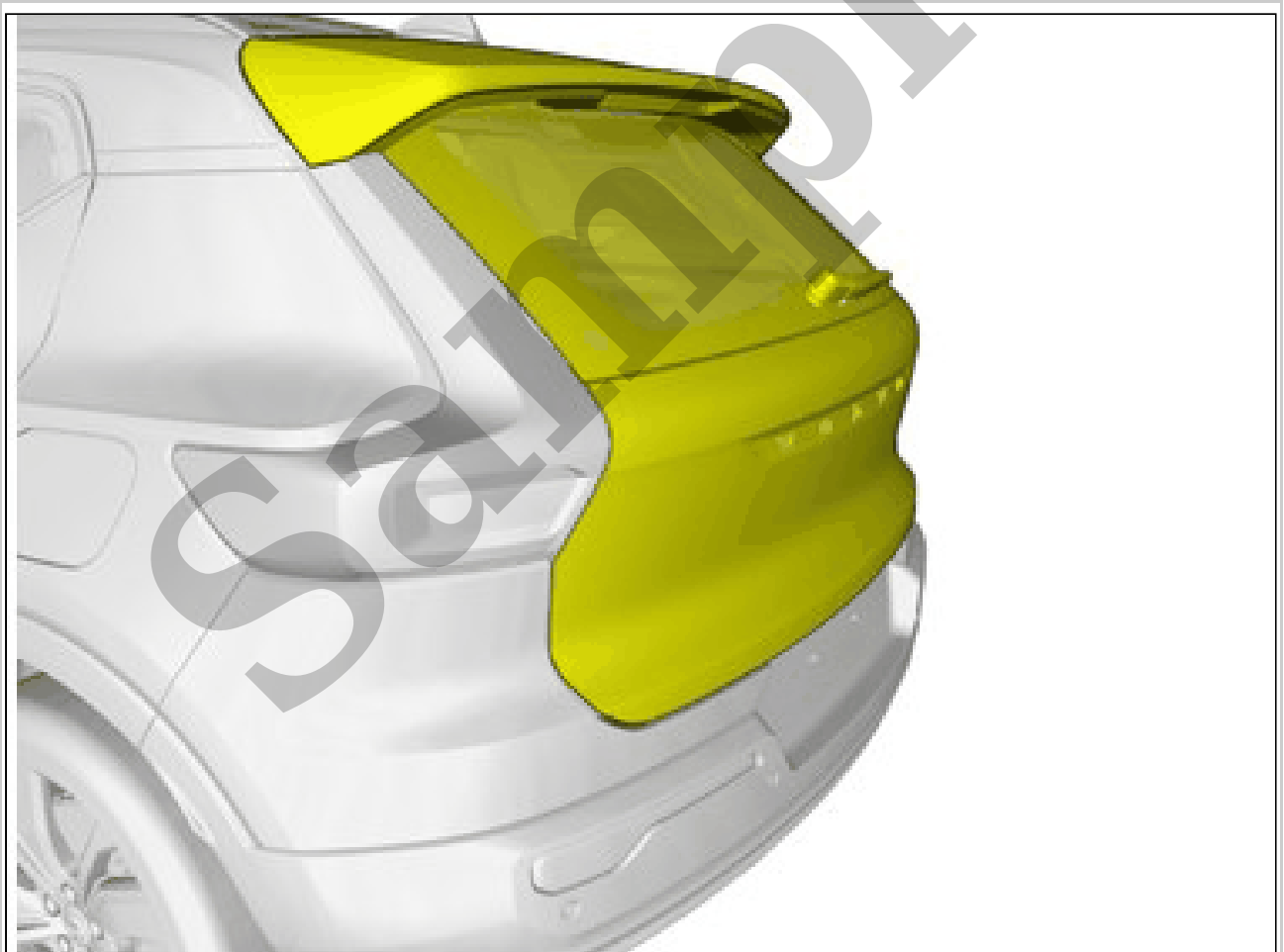
Disconnect the connector.

NOTE: The following steps are only necessary when installing a new component.

Order and download the appropriate software according to: VIDA/Software/Hardware Changes
Calibrate ASDM according to: Diagnostics / Components / Control modules /Active Safety Domain Master (ASDM) / Diagnostic sequences / ASDM radar and camera calibration

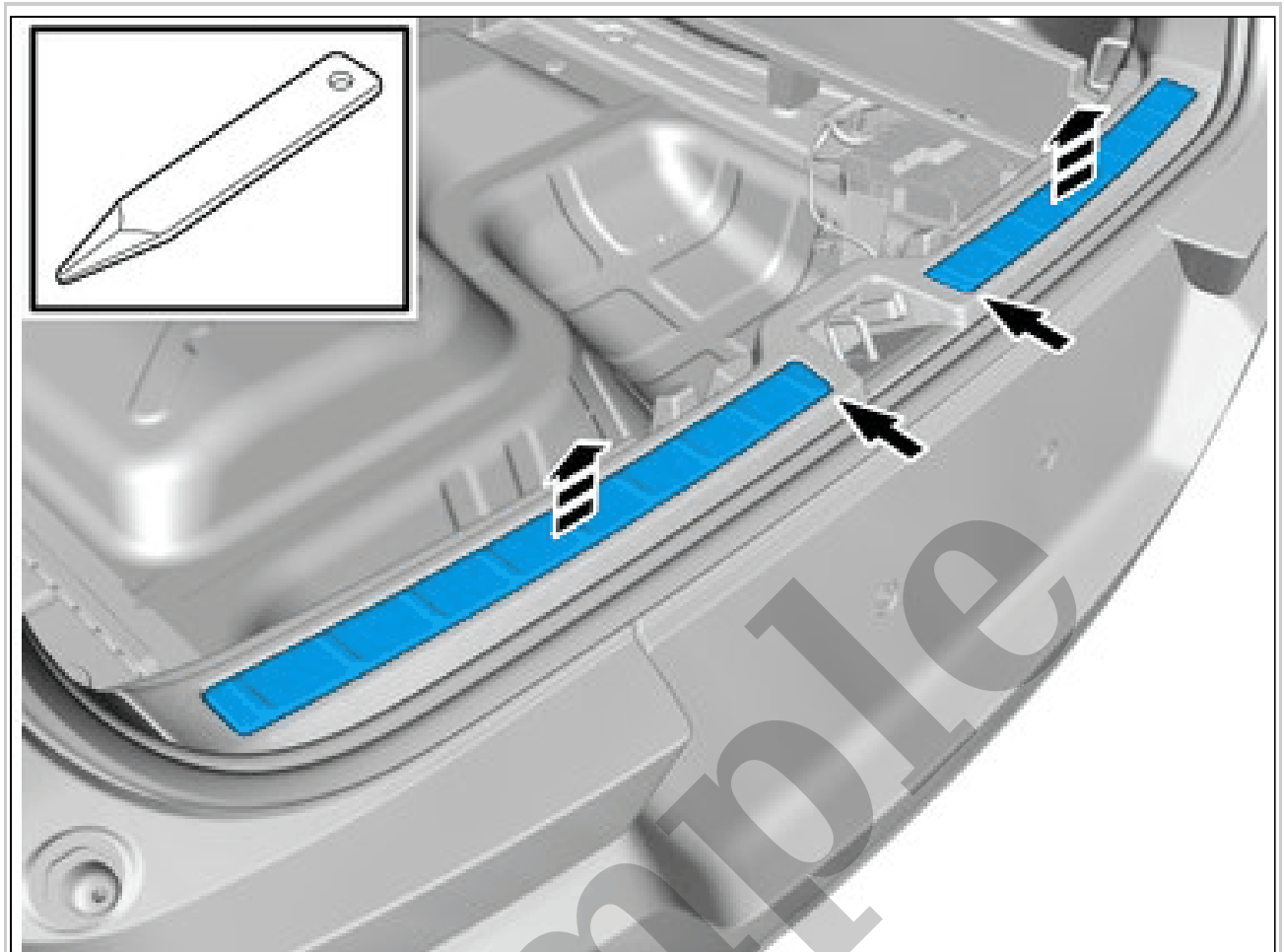
ACTIVE SAFETY DOMAIN MASTER > ACTIVE SAFETY DOMAIN MASTER (ASDM) [2021-2022, E400V6] > REMOVAL

NOTE: Removal steps in this procedure may contain installation details.



Courtesy of VOLVO CARS CORPORATION

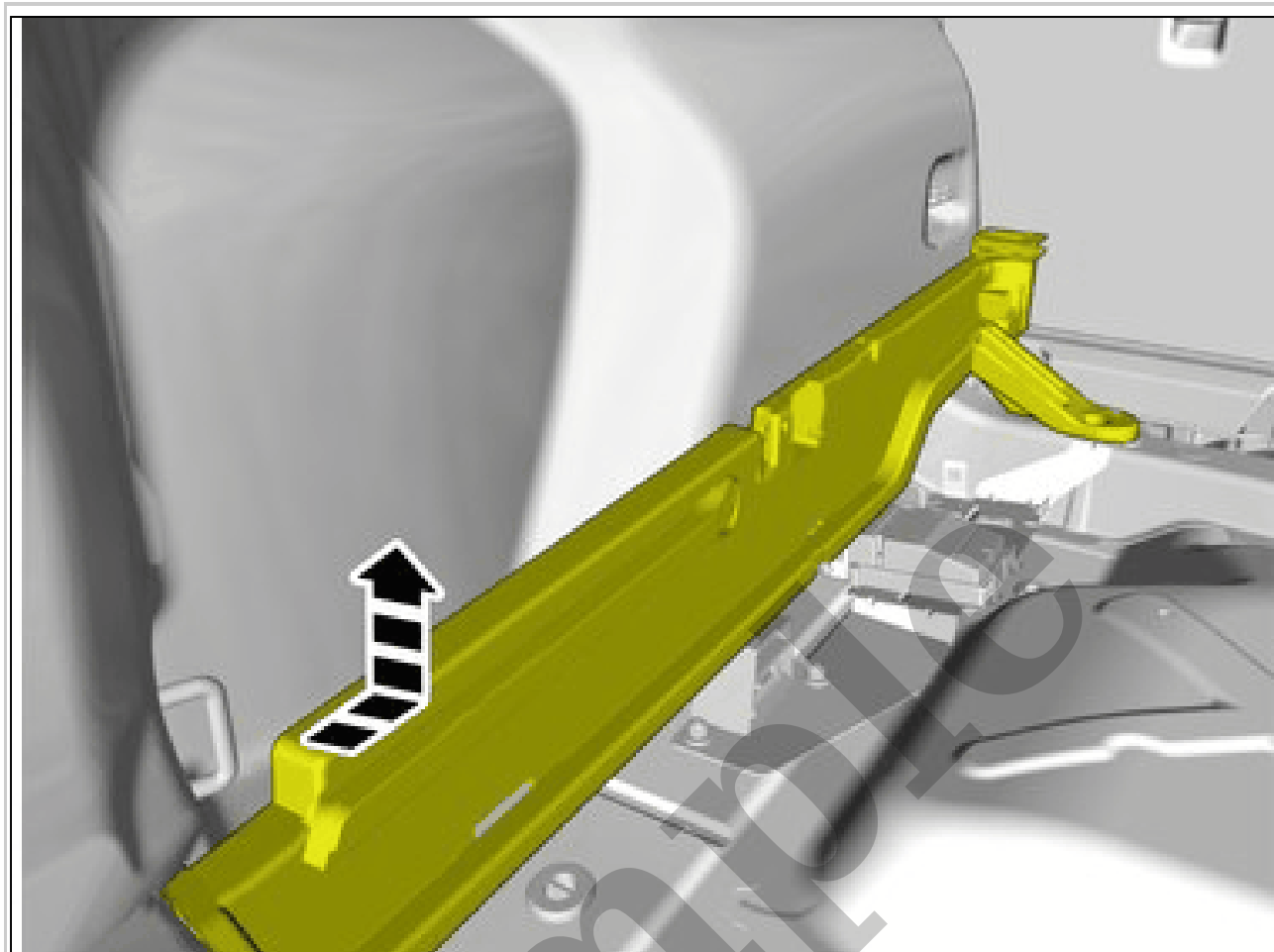
Open the tailgate.



Courtesy of VOLVO CARS CORPORATION

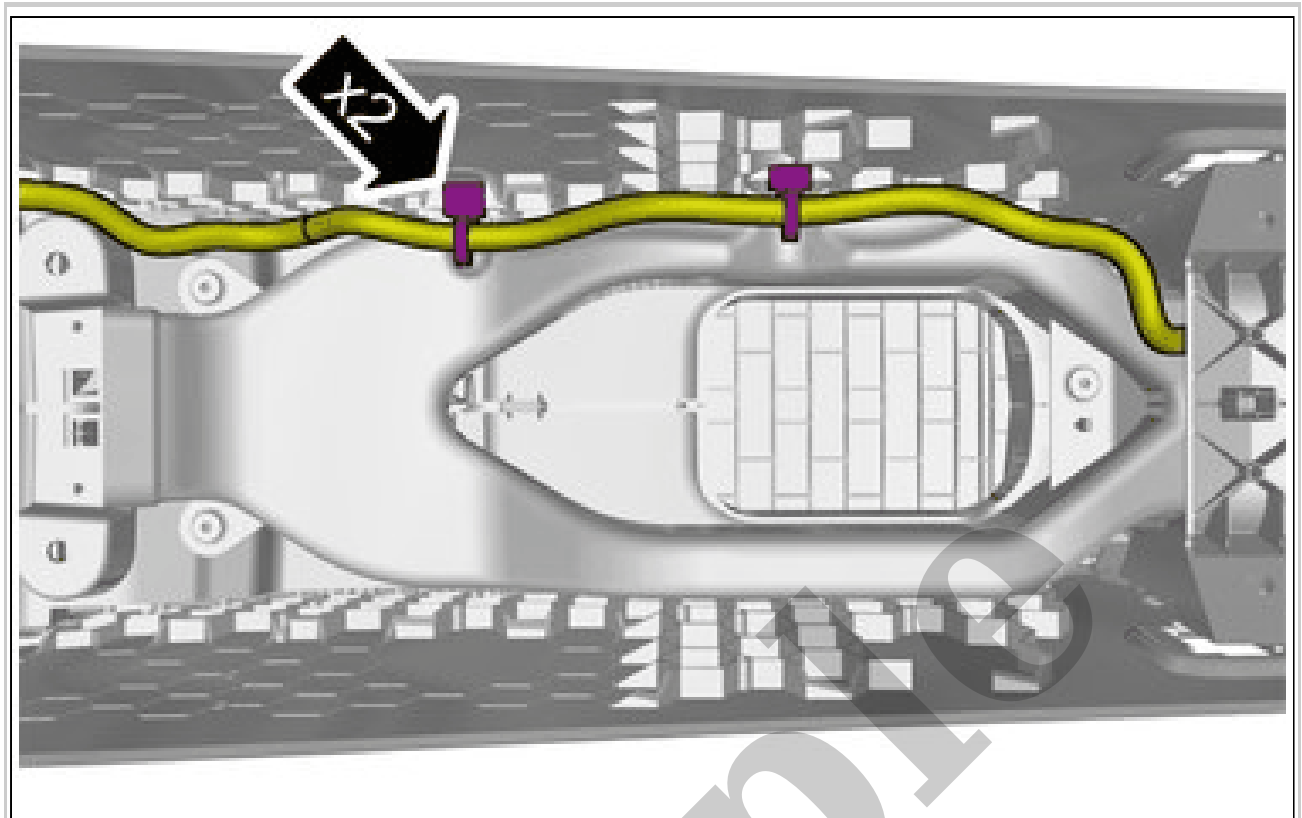
Remove the marked parts.

Use: Interior trim remover



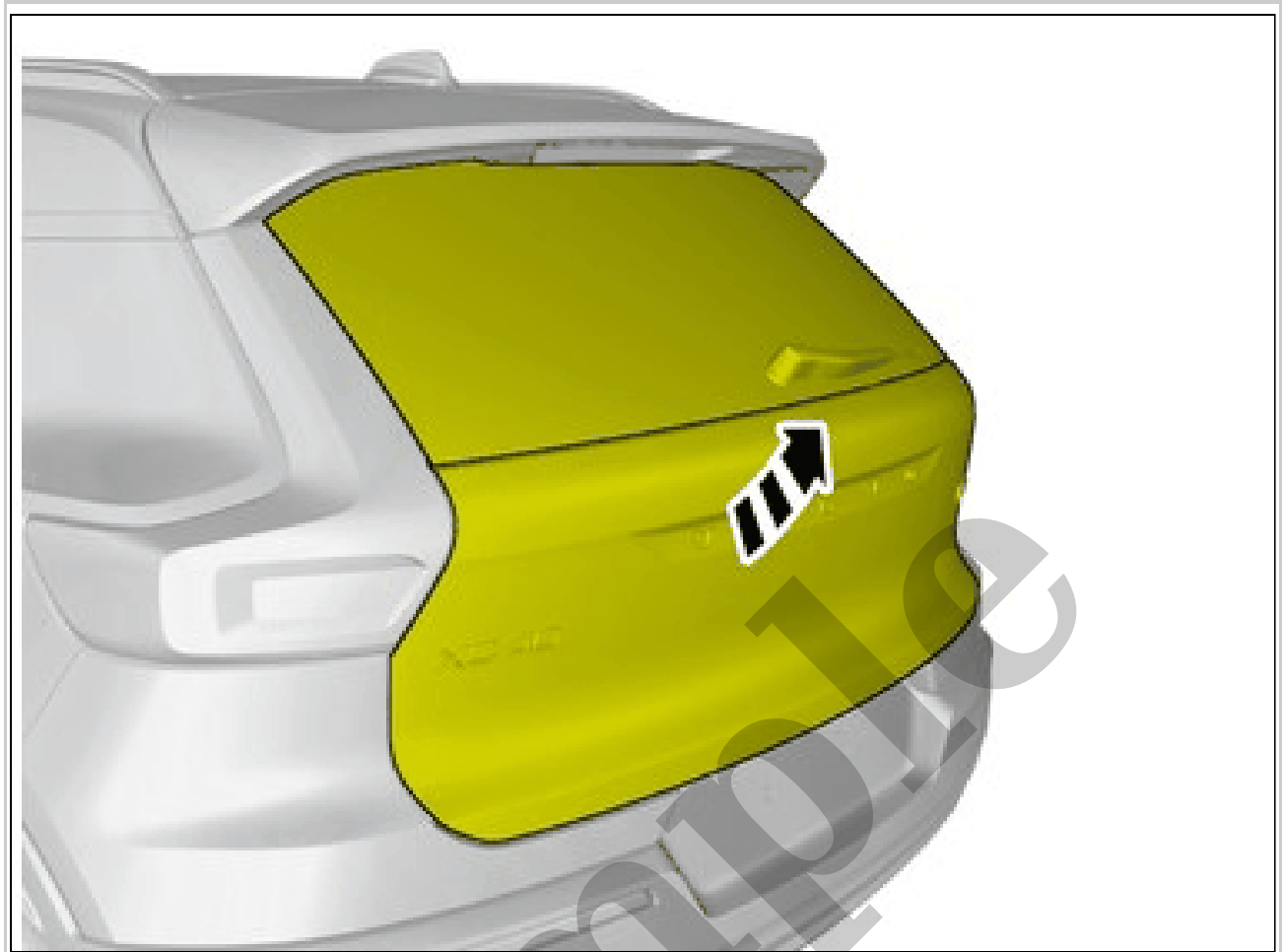
Courtesy of VOLVO CARS CORPORATION

Loosen the marked detail.
Tilt the component somewhat.



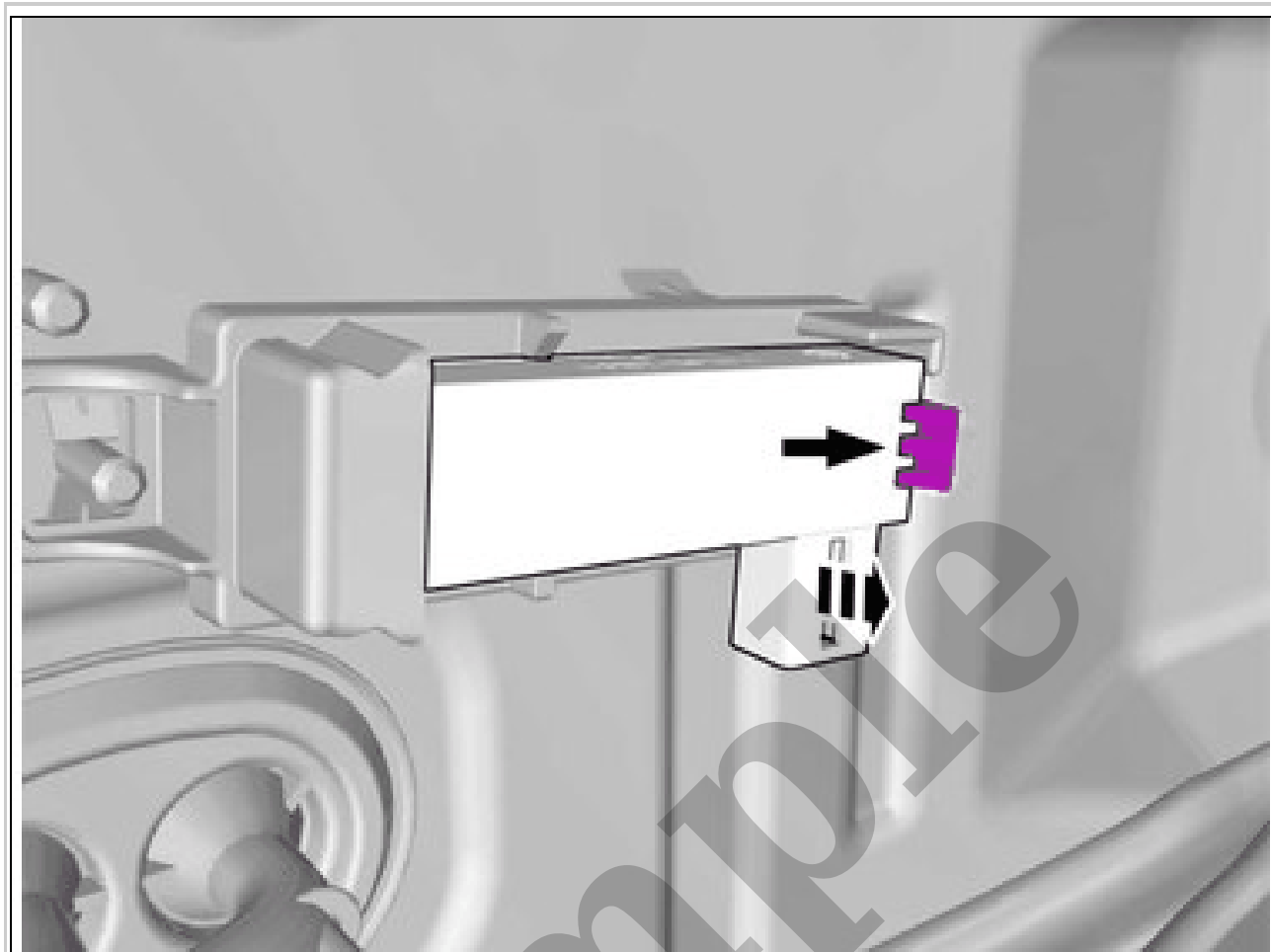
Courtesy of VOLVO CARS CORPORATION

Remove the cable harness clips.



Courtesy of VOLVO CARS CORPORATION

Sample



Courtesy of VOLVO CARS CORPORATION

Release the lock.
Remove the marked part.

ANTENNA, KEYLESS VEHICLE, REAR > ANTENNA, KEYLESS VEHICLE, REAR [2018-2022] > INSTALLATION

To install, reverse the removal procedure.

ANTENNA, KEYLESS VEHICLE, REAR DOOR > ANTENNA, KEYLESS VEHICLE, REAR DOOR [2018-2022] > REMOVAL

Set the vehicle to Inactive mode, described in user mode. Refer to: USAGE MODE
Remove panel side door rear. Refer to: PANEL REAR DOOR