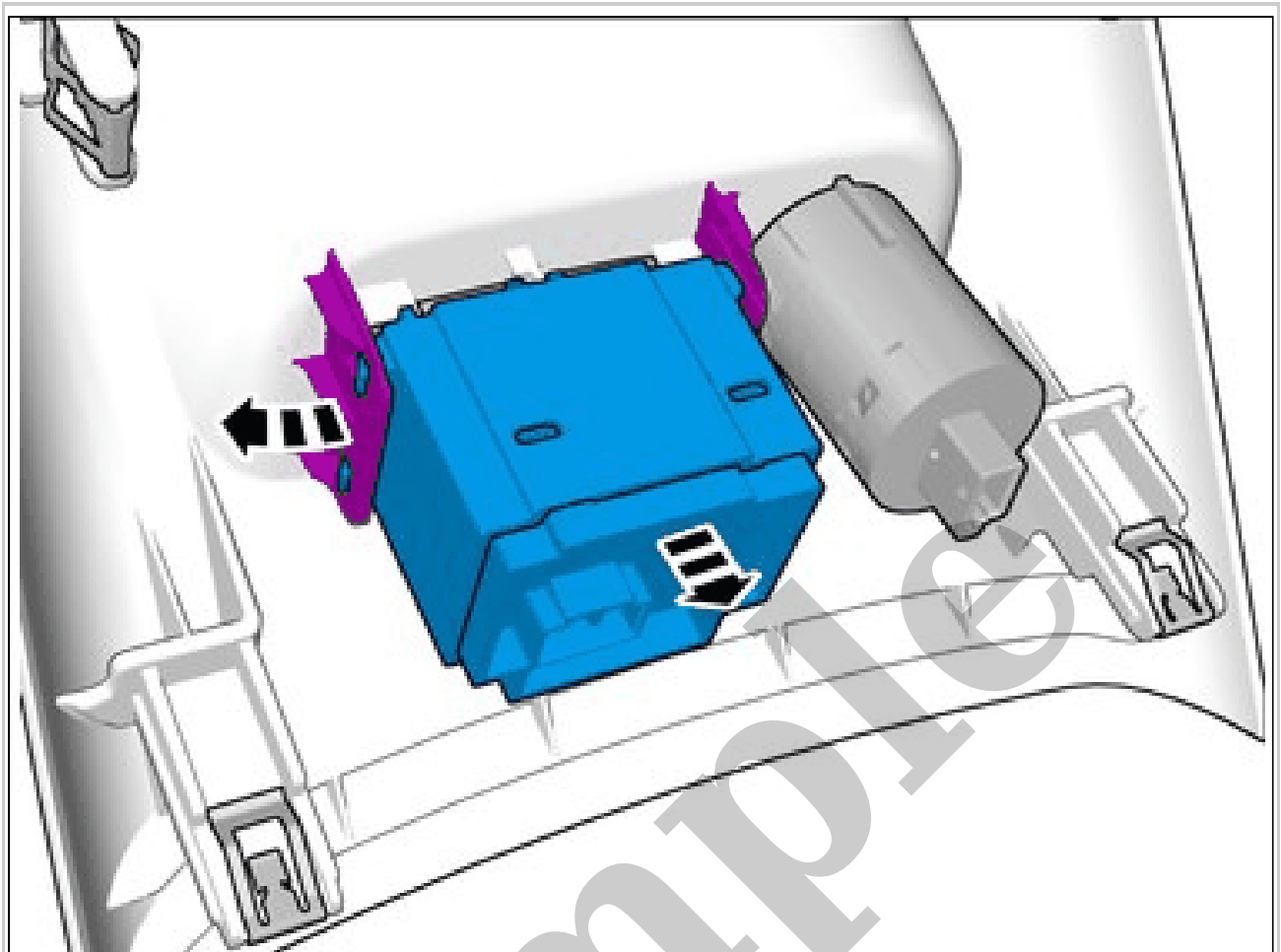


Your Ultimate Source for OEM Repair Manuals

FactoryManuals.net is a great resource for anyone who wants to save money on repairs by doing their own work. The manuals provide detailed instructions and diagrams that make it easy to understand how to fix a vehicle.

1992 VOLVO 940 Estate OEM Service and Repair Workshop Manual

[Go to manual page](#)



Courtesy of VOLVO CARS CORPORATION

Caution
Release the catches.
Remove the part carefully

HEATED REAR SEAT SWITCH > HEATED REAR SEAT SWITCH [2018-2022] > INSTALLATION

To install, reverse the removal procedure.

HEATED STEERING WHEEL MODULE > HEATED STEERING WHEEL MODULE (HSWM) [2018-2022] > REMOVAL

Remove steering wheel module (SWM). Refer to: STEERING WHEEL MODULE

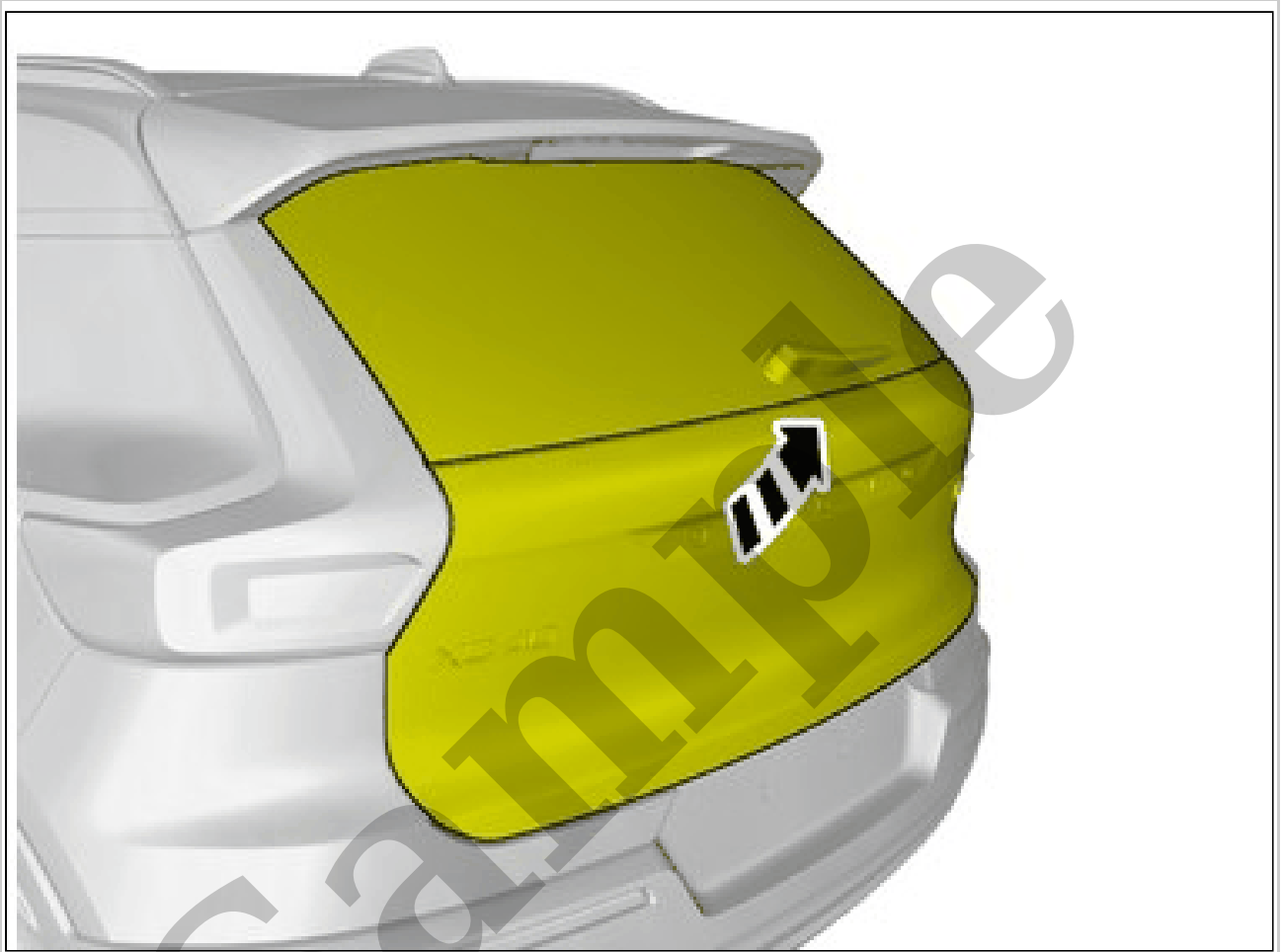
PASSENGER DOOR MODULE > PASSENGER DOOR MODULE (PDM) [2018-2022] > REMOVAL

Set the vehicle to Inactive mode, described in user mode. Refer to: USAGE MODE
Remove panel side door front. Refer to: PANEL FRONT DOOR

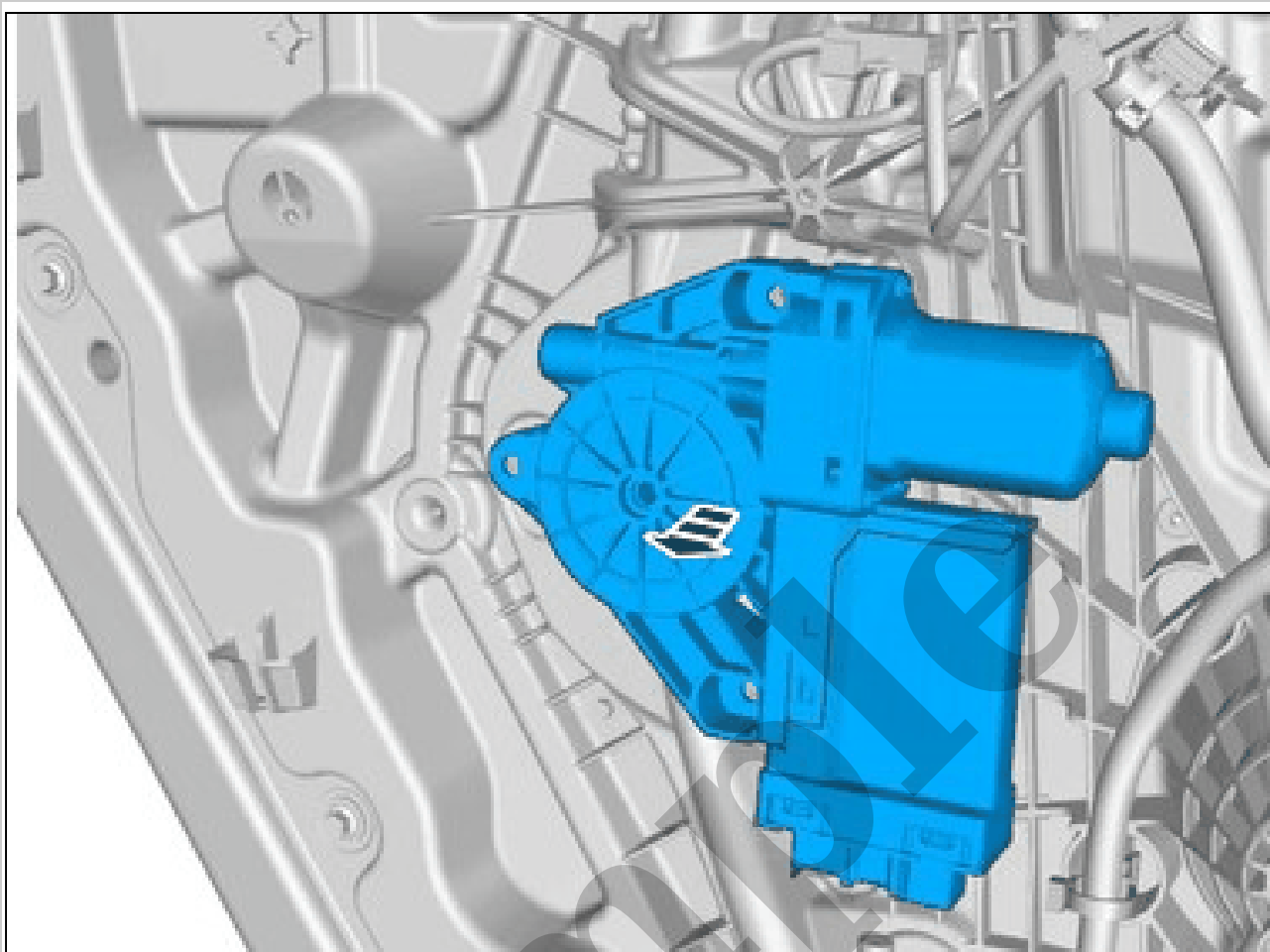
Perform power window motor, initiation. Refer to: DOOR WINDOW MOTOR INITIALIZATION

POWER OPERATED TAILGATE SWITCH > POWER OPERATED TAILGATE SWITCH [2018-2022] > REMOVAL

Set the vehicle to Inactive mode, described in user mode. Refer to: USAGE MODE

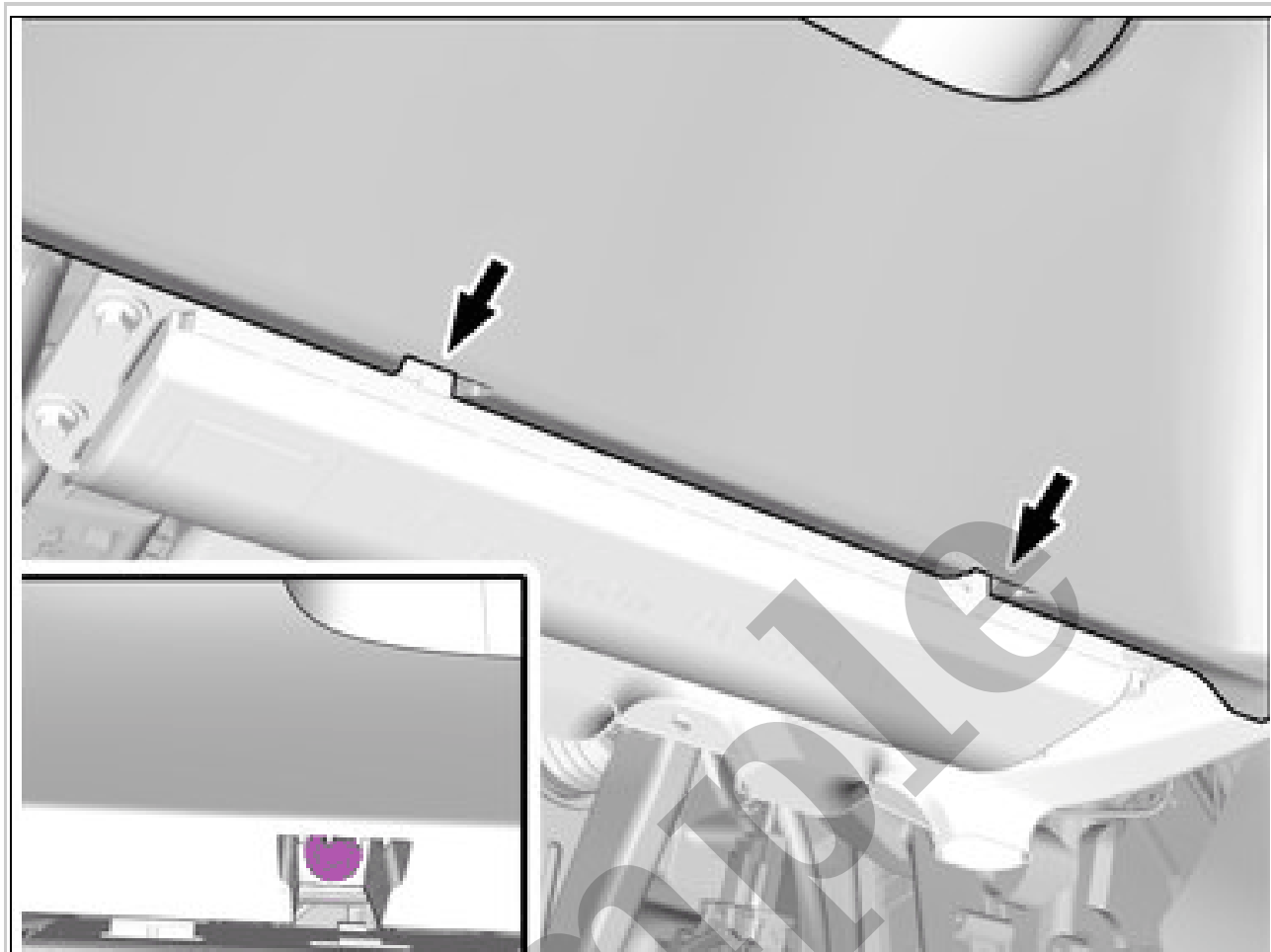


Courtesy of VOLVO CARS CORPORATION



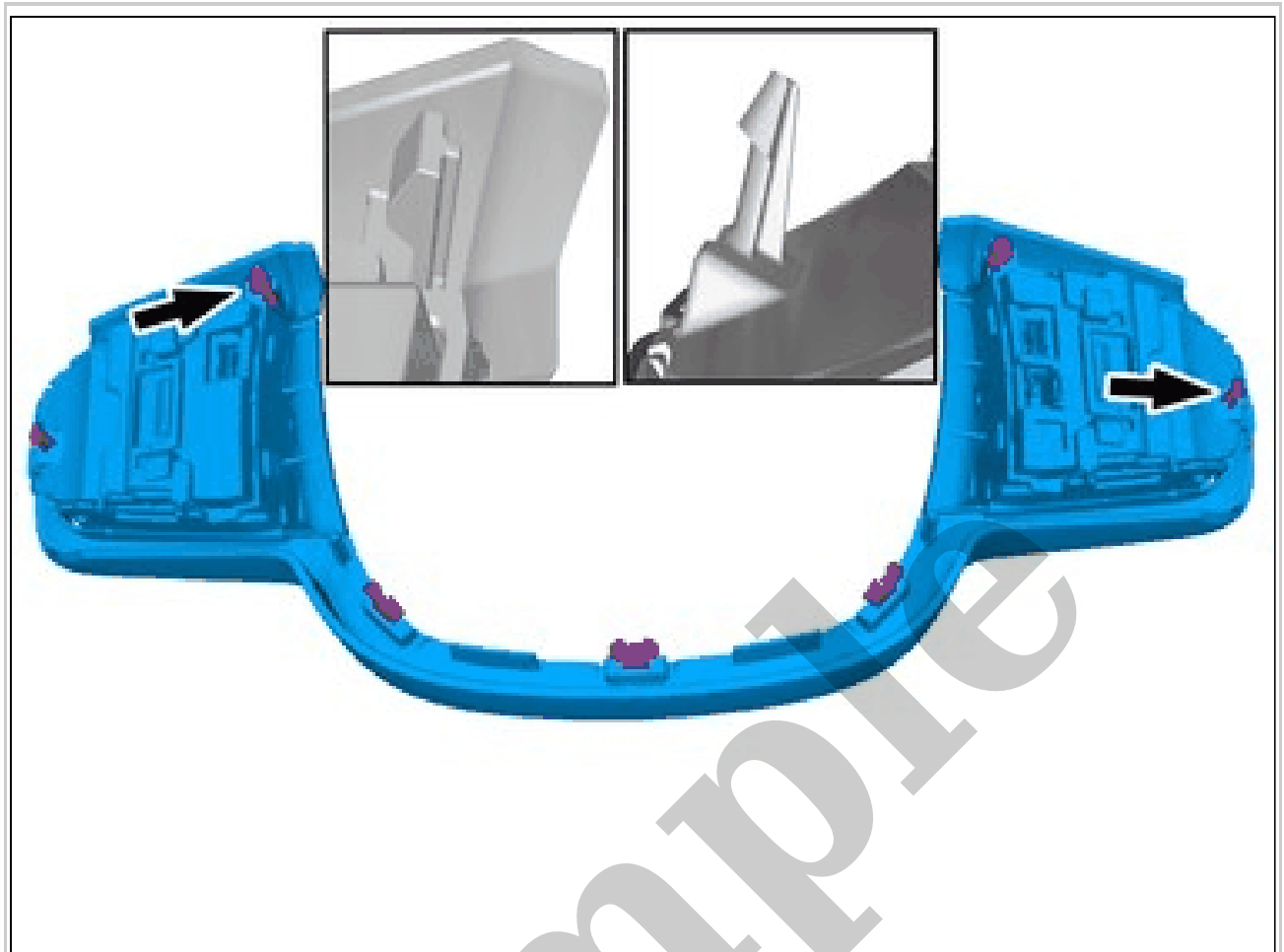
Courtesy of VOLVO CARS CORPORATION

Remove the marked part.



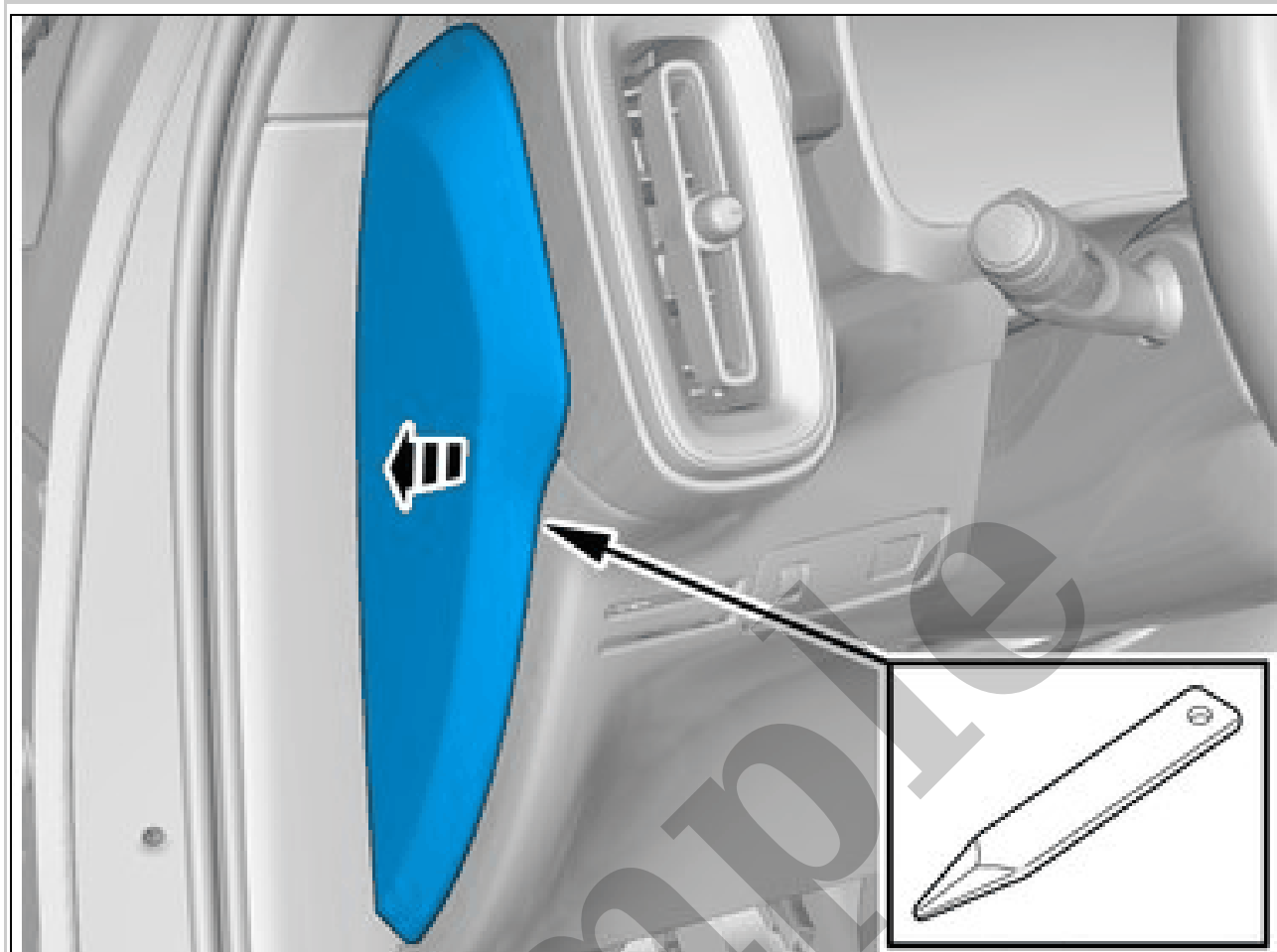
Courtesy of VOLVO CARS CORPORATION

Remove the screws.

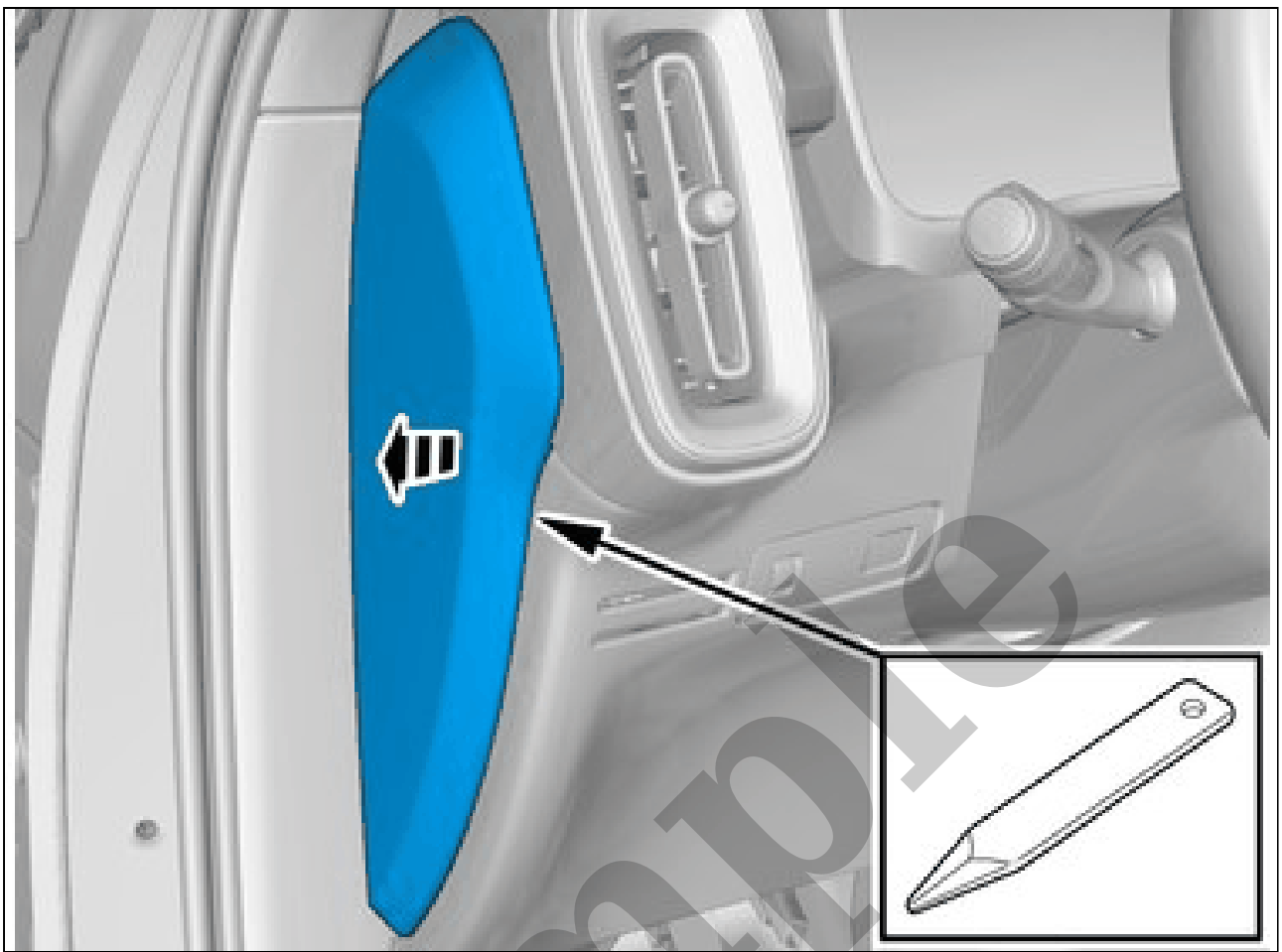


Courtesy of VOLVO CARS CORPORATION

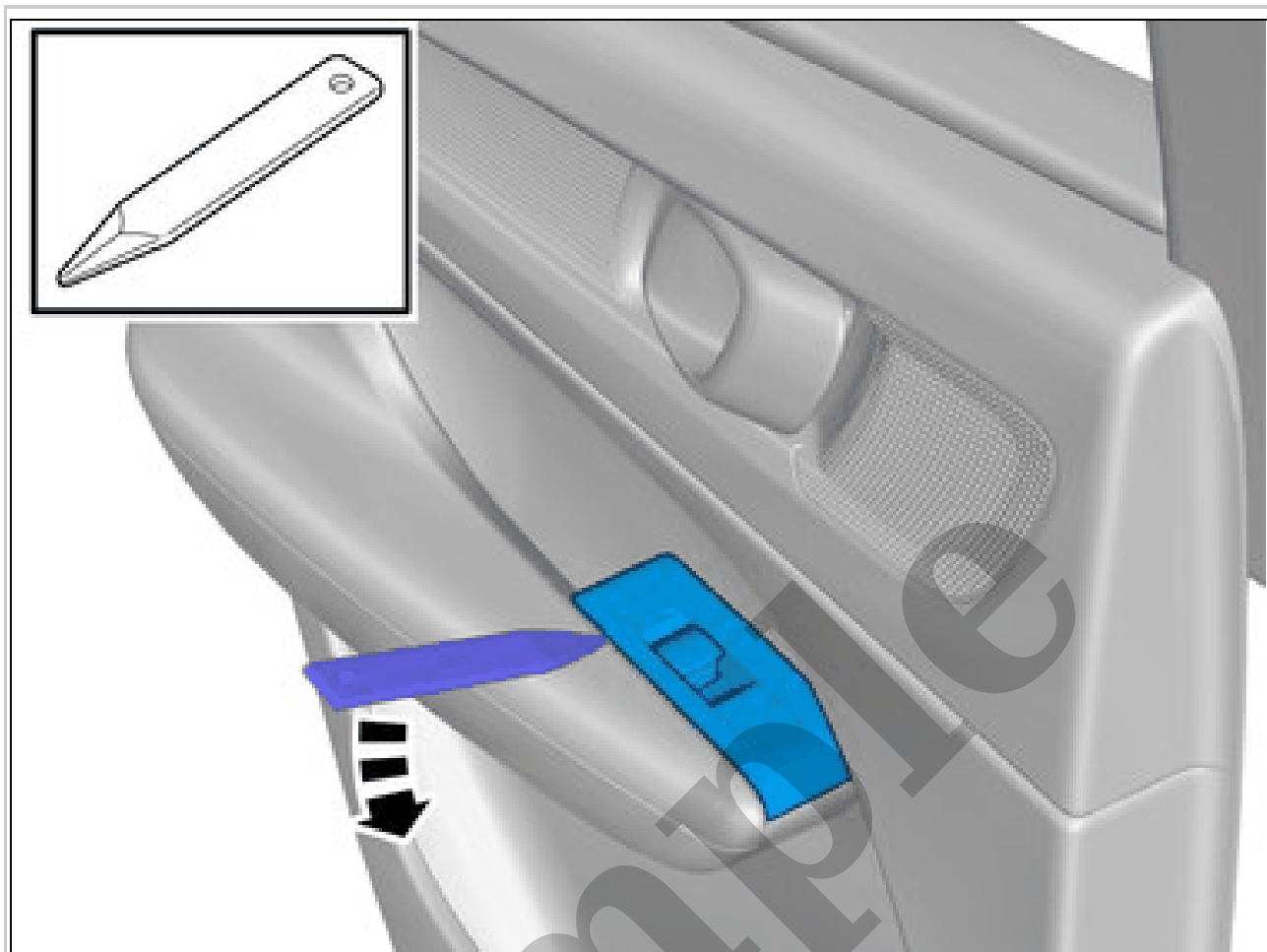
NOTE: *The graphic shows the back of the component before removal.*



Courtesy of VOLVO CARS CORPORATION

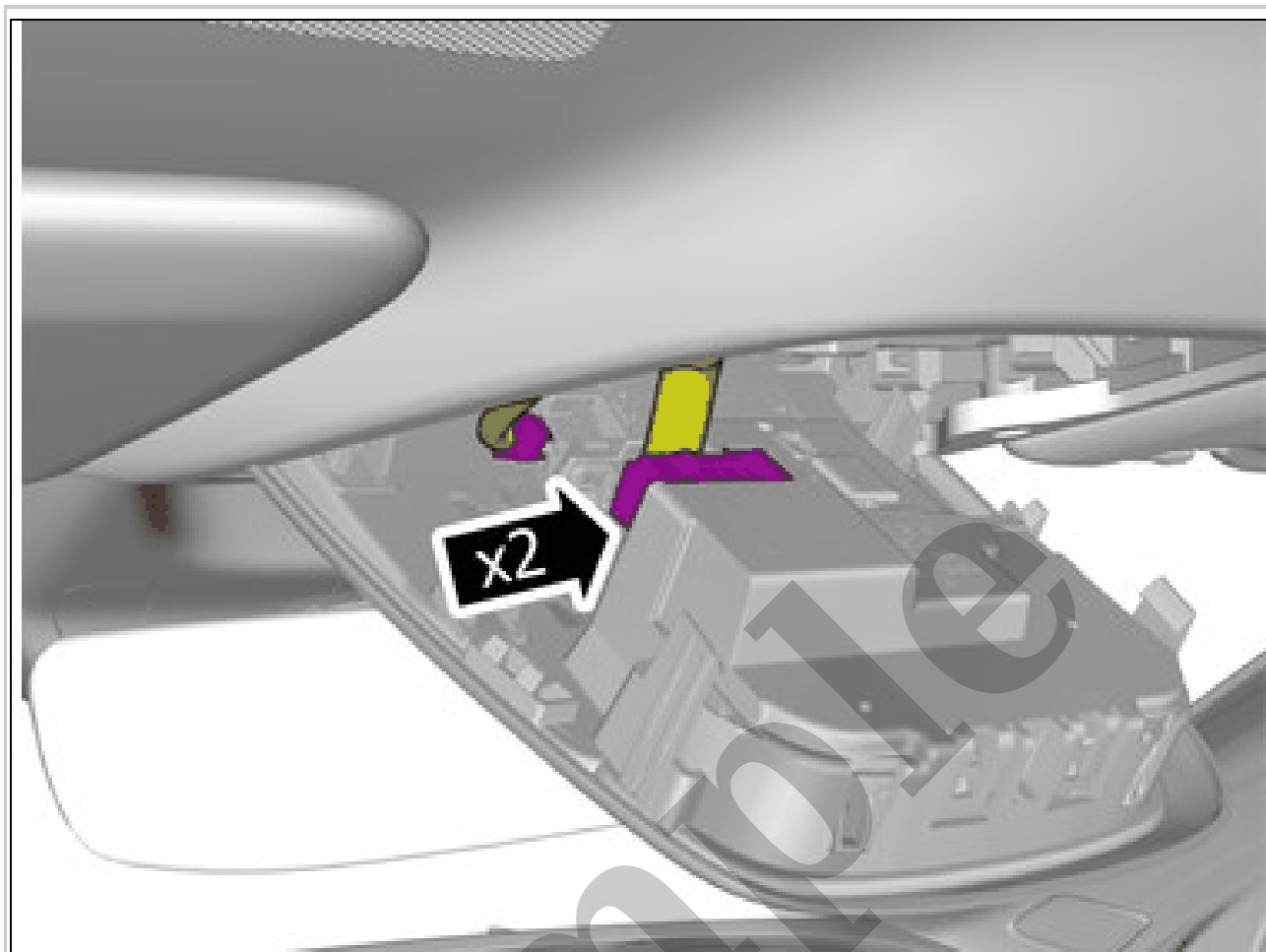


Courtesy of VOLVO CARS CORPORATION



Courtesy of VOLVO CARS CORPORATION

Remove the marked part.



Courtesy of VOLVO CARS CORPORATION

NOTE: *The number of connectors may vary depending on the vehicle's equipment level.*

Disconnect the connectors.