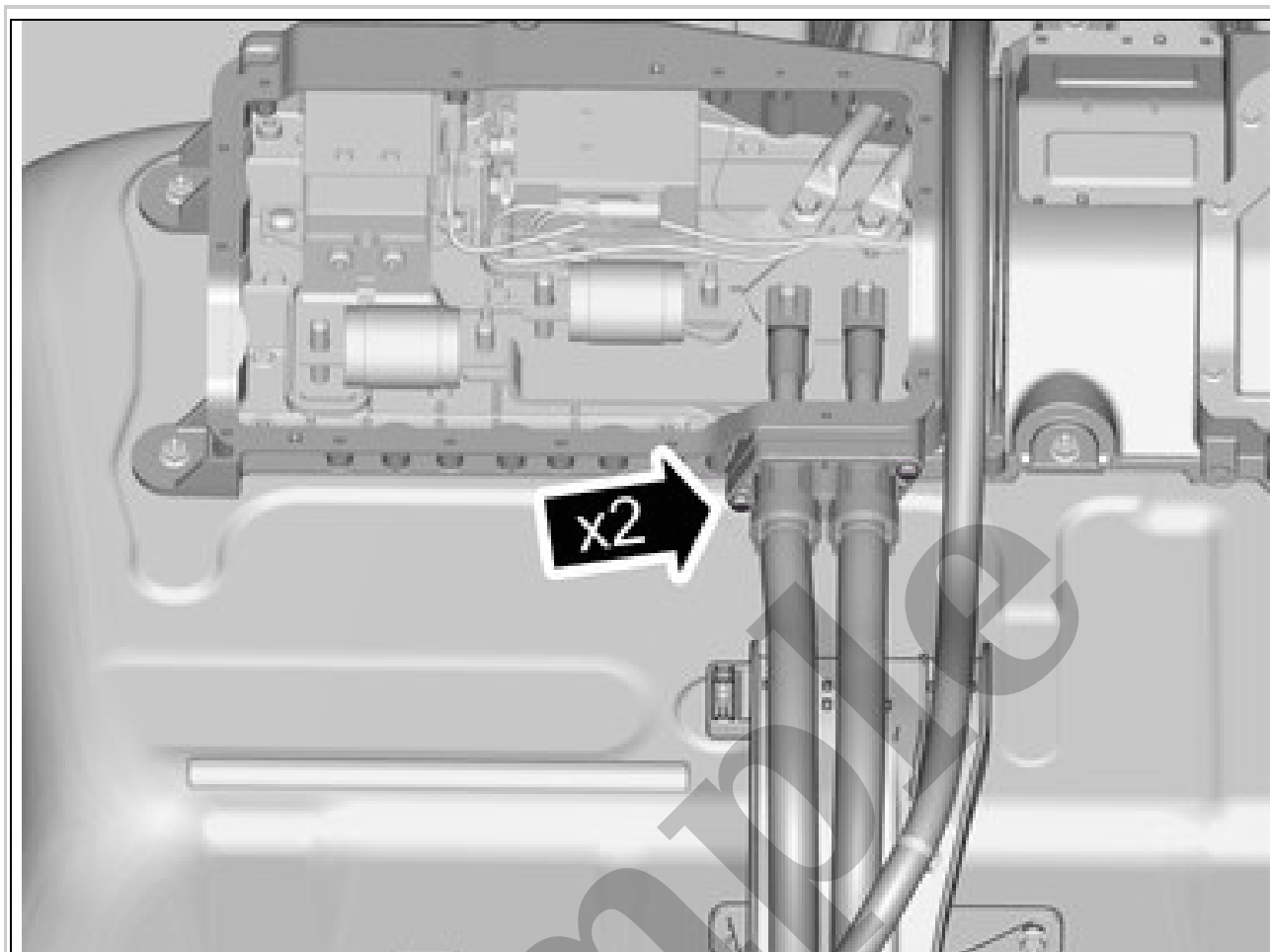


# Your Ultimate Source for OEM Repair Manuals

FactoryManuals.net is a great resource for anyone who wants to save money on repairs by doing their own work. The manuals provide detailed instructions and diagrams that make it easy to understand how to fix a vehicle.

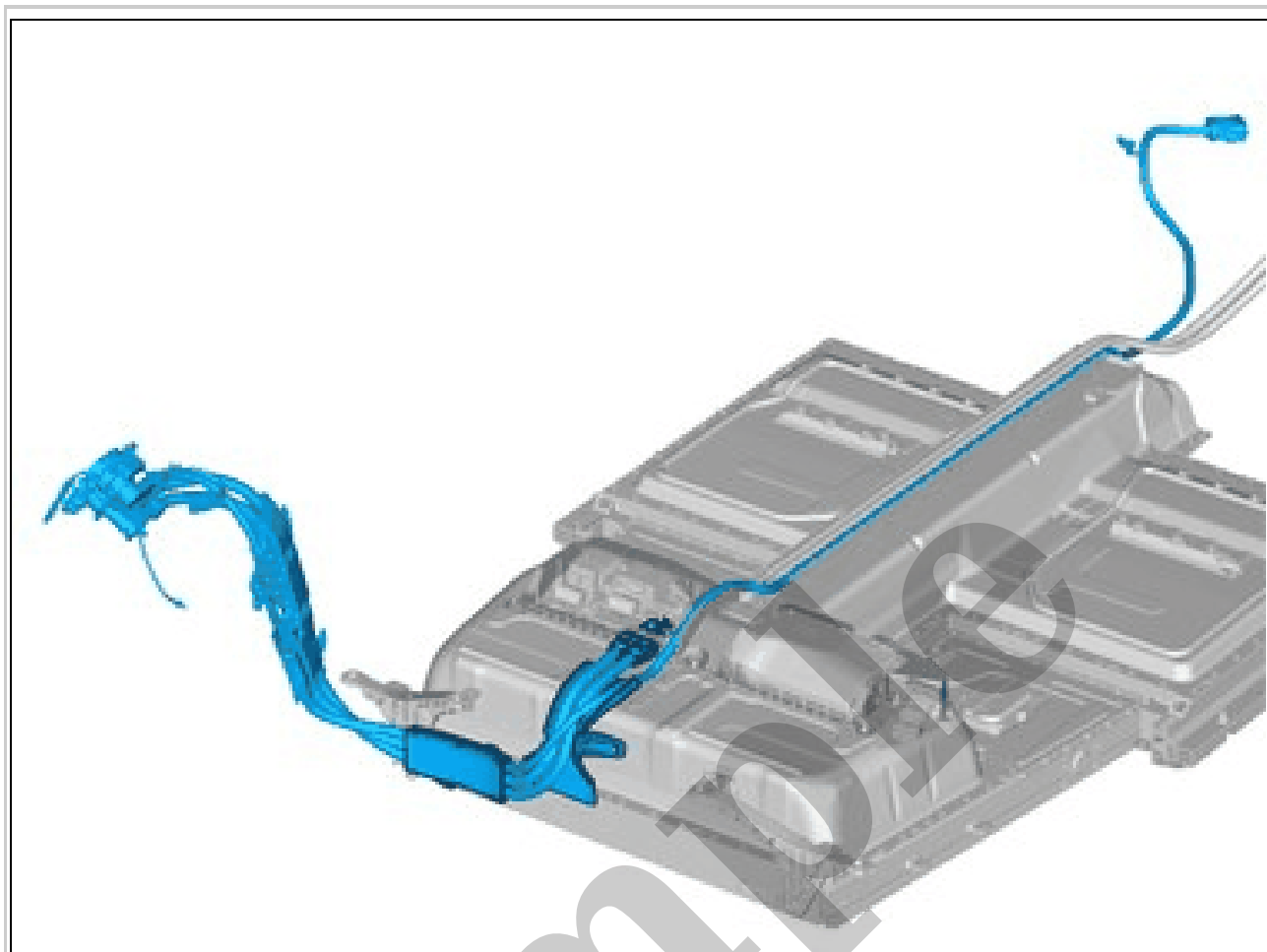
## 1992 VOLVO 850 OEM Service and Repair Workshop Manual

[Go to manual page](#)



Courtesy of VOLVO CARS CORPORATION

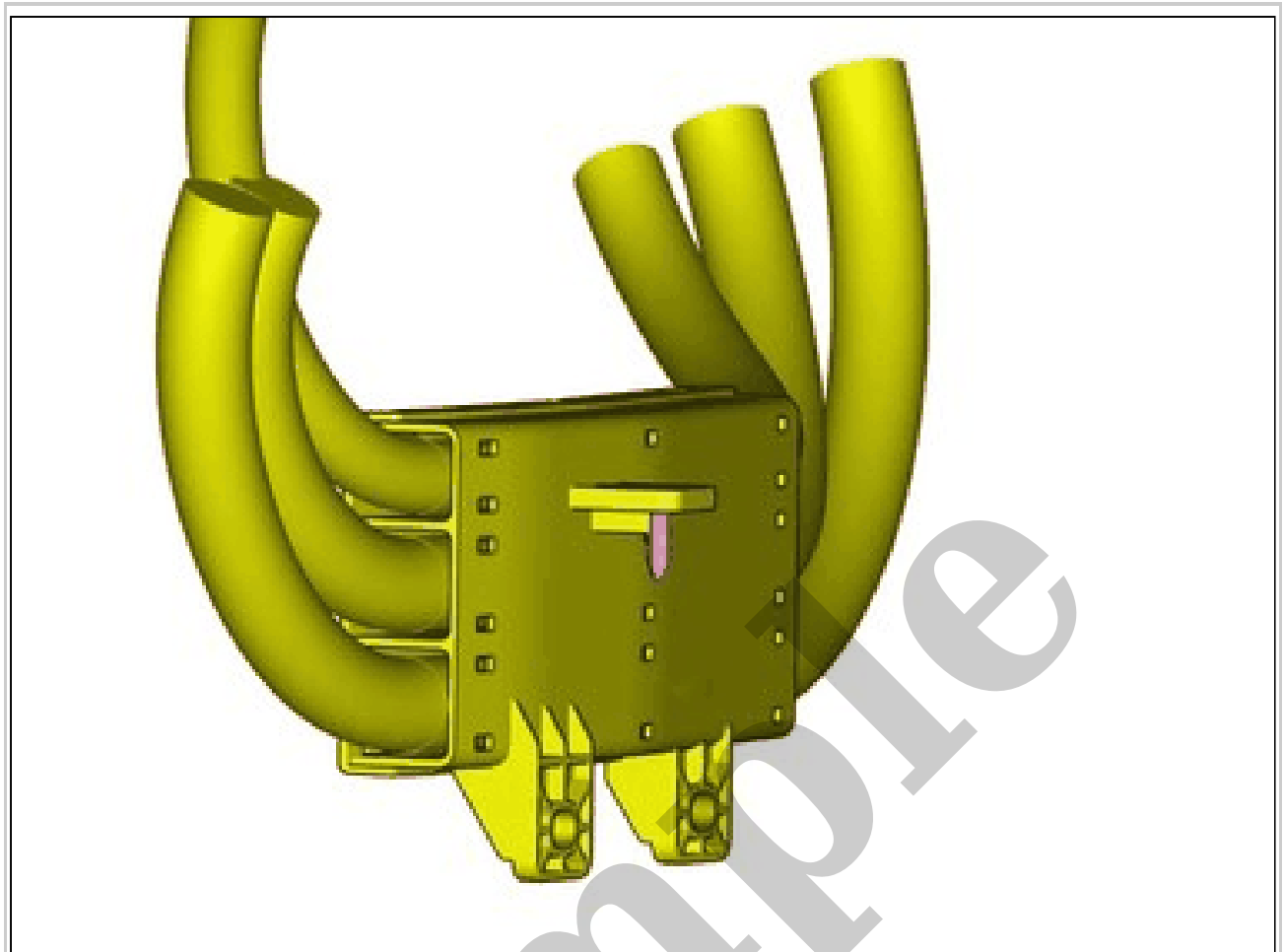
Remove the screws.



Courtesy of VOLVO CARS CORPORATION

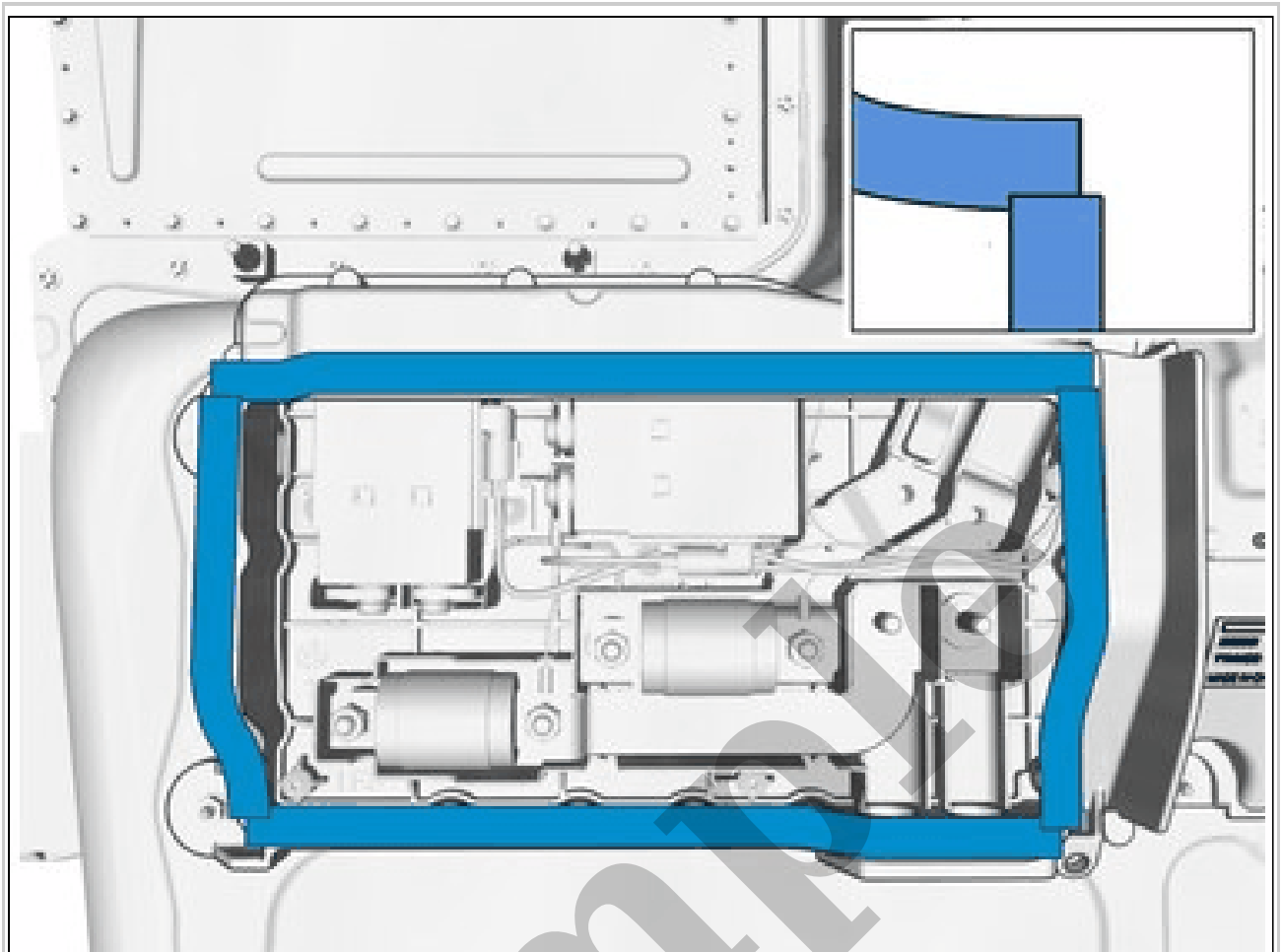
Remove the marked part.

**INSTALLATION**



Courtesy of VOLVO CARS CORPORATION

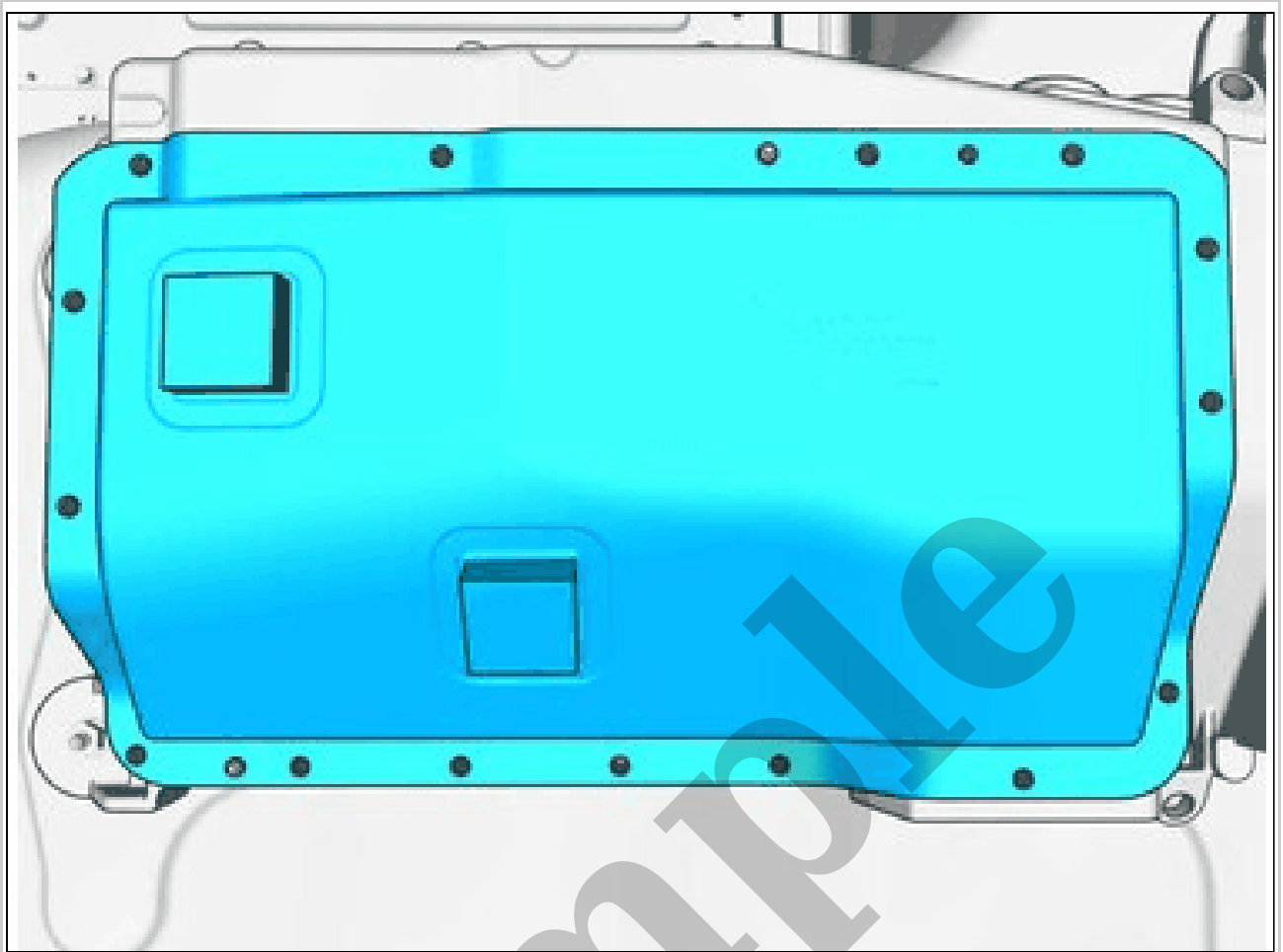
The graphic shows the back of the component.



Courtesy of VOLVO CARS CORPORATION

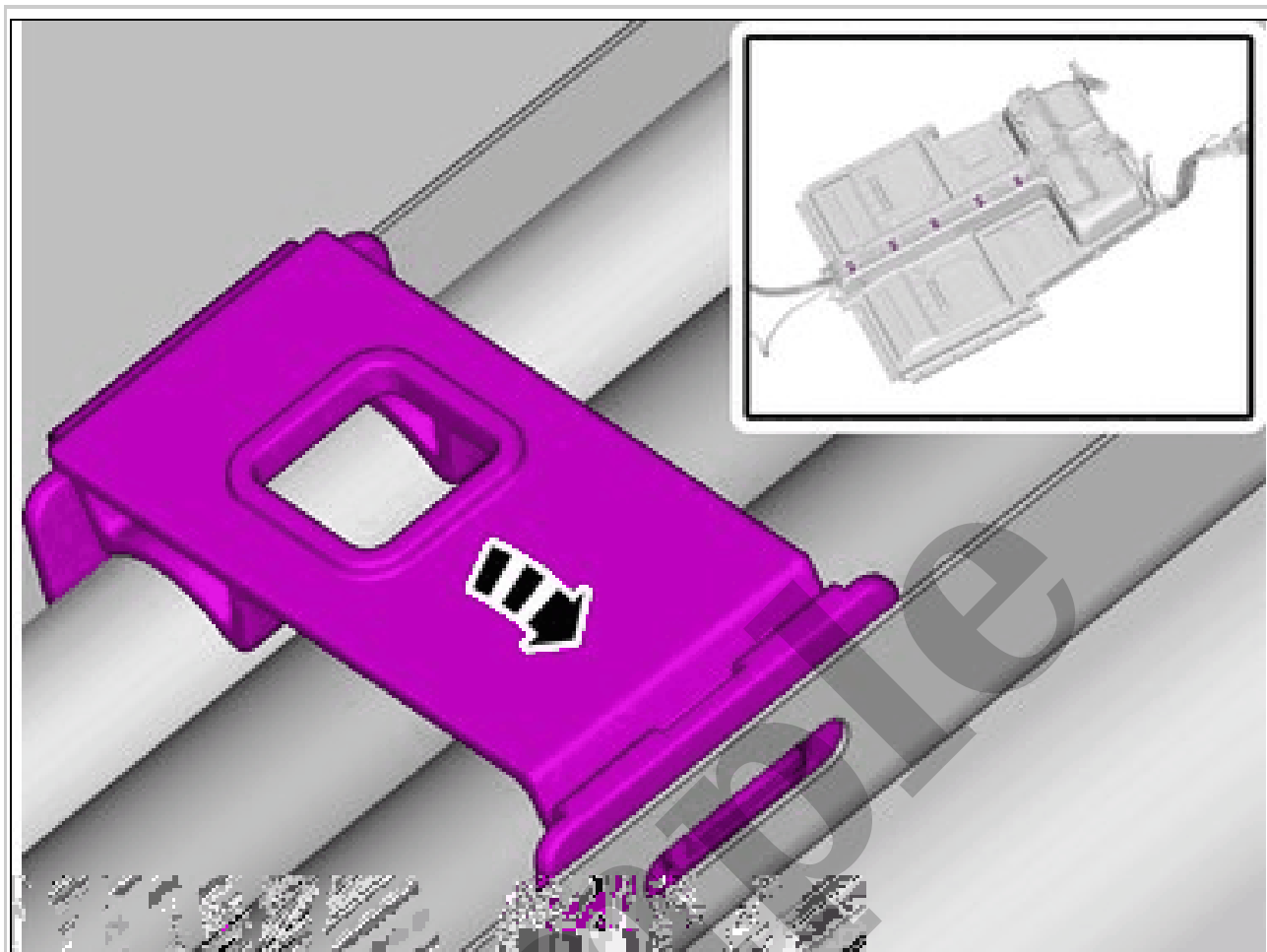
**NOTE:** Do not remove the protective film.

New sealing.  
Note the position.  
**Use:** Butyl tape,



Courtesy of VOLVO CARS CORPORATION

Remove the marked part.

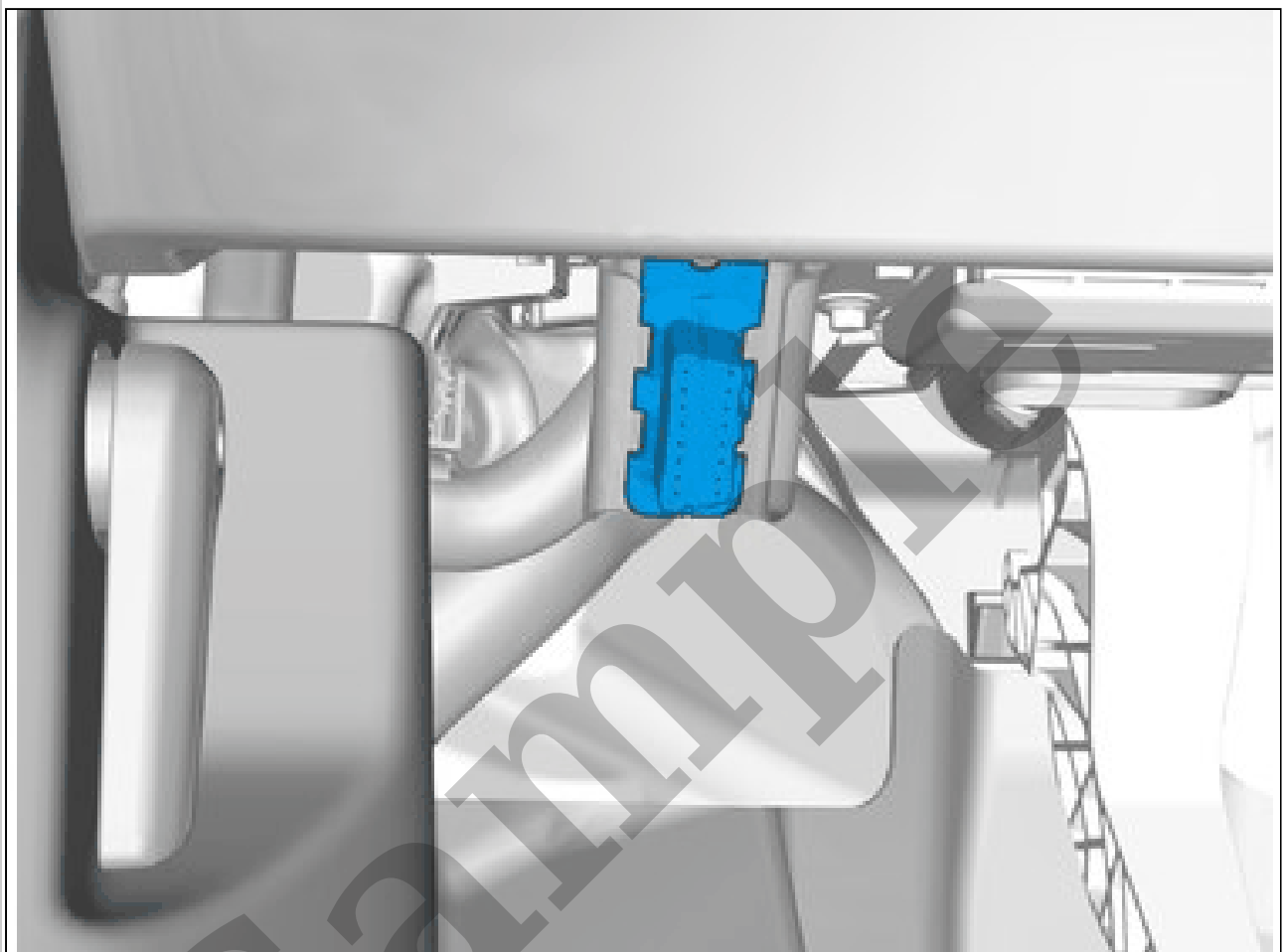


Courtesy of VOLVO CARS CORPORATION

Press the clip(s) into position.

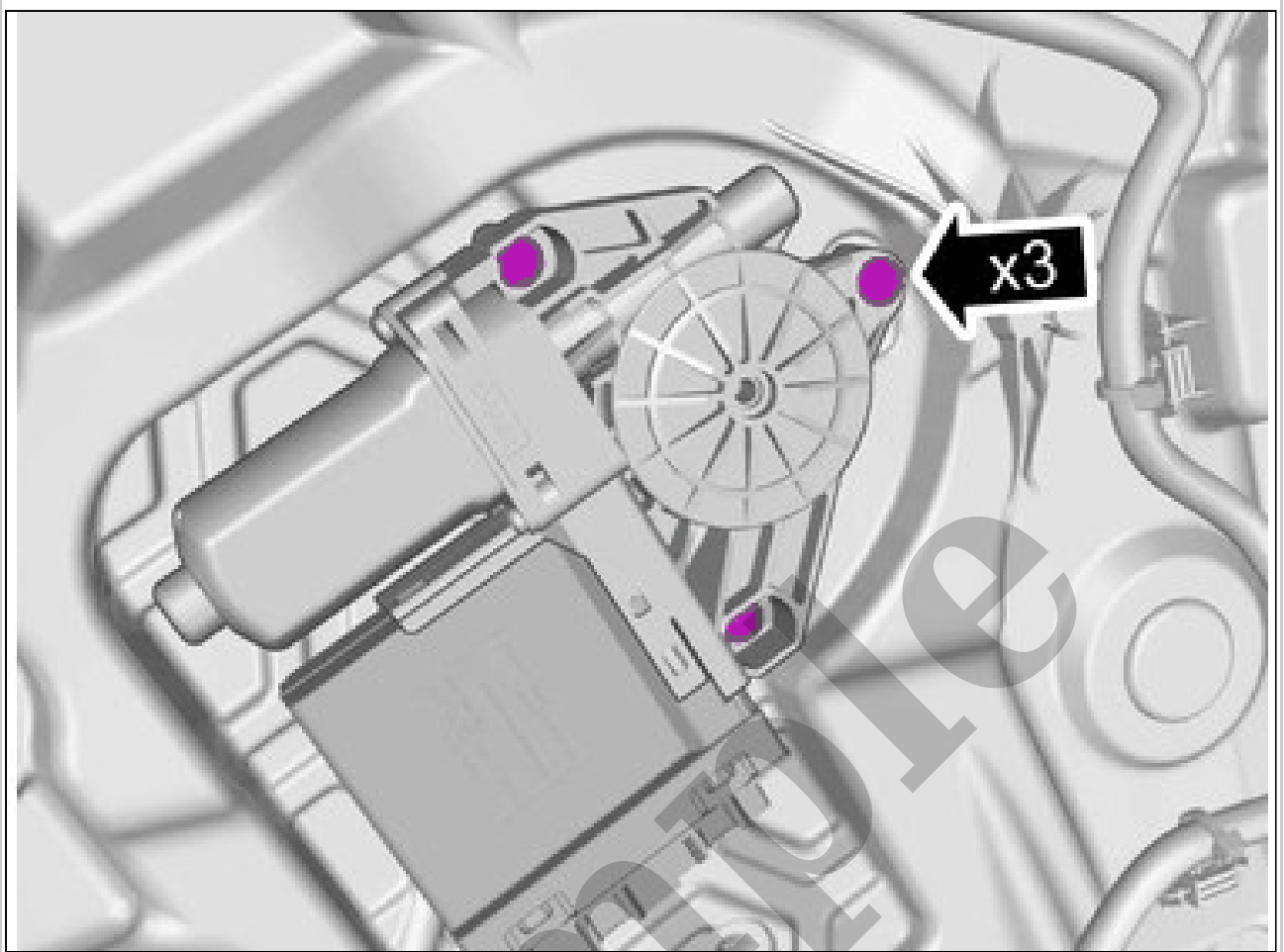
## DIAGNOSTIC SOCKET OBD 2 > DIAGNOSTIC SOCKET OBD 2 [2018-2022] > REMOVAL

Set the vehicle to Inactive mode, described in user mode. Refer to: USAGE MODE



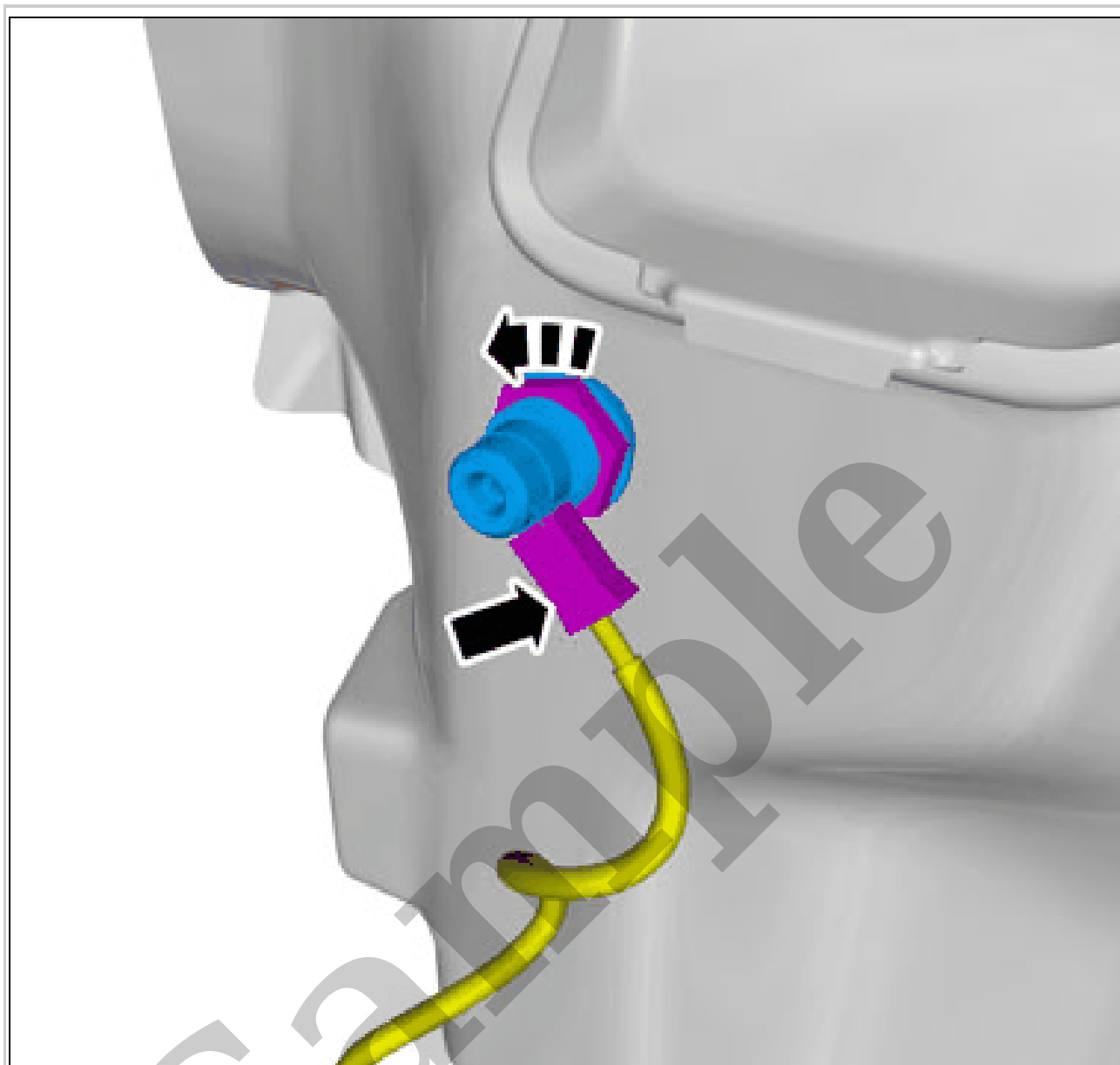
Courtesy of VOLVO CARS CORPORATION





Courtesy of VOLVO CARS CORPORATION

Remove the screws.



Courtesy of VOLVO CARS CORPORATION

Loosen the nut.  
Disconnect the connector.

### **EXTRA POWER SOCKET 12V, LUGGAGE COMPARTMENT > EXTRA POWER SOCKET 12V, LUGGAGE COMPARTMENT [2018-2022] > INSTALLATION**

To install, reverse the removal procedure.

### **HEATED REAR SEAT SWITCH > HEATED REAR SEAT SWITCH [2018-2022] > REMOVAL**

Set the vehicle to Inactive mode, described in user mode. Refer to: USAGE MODE