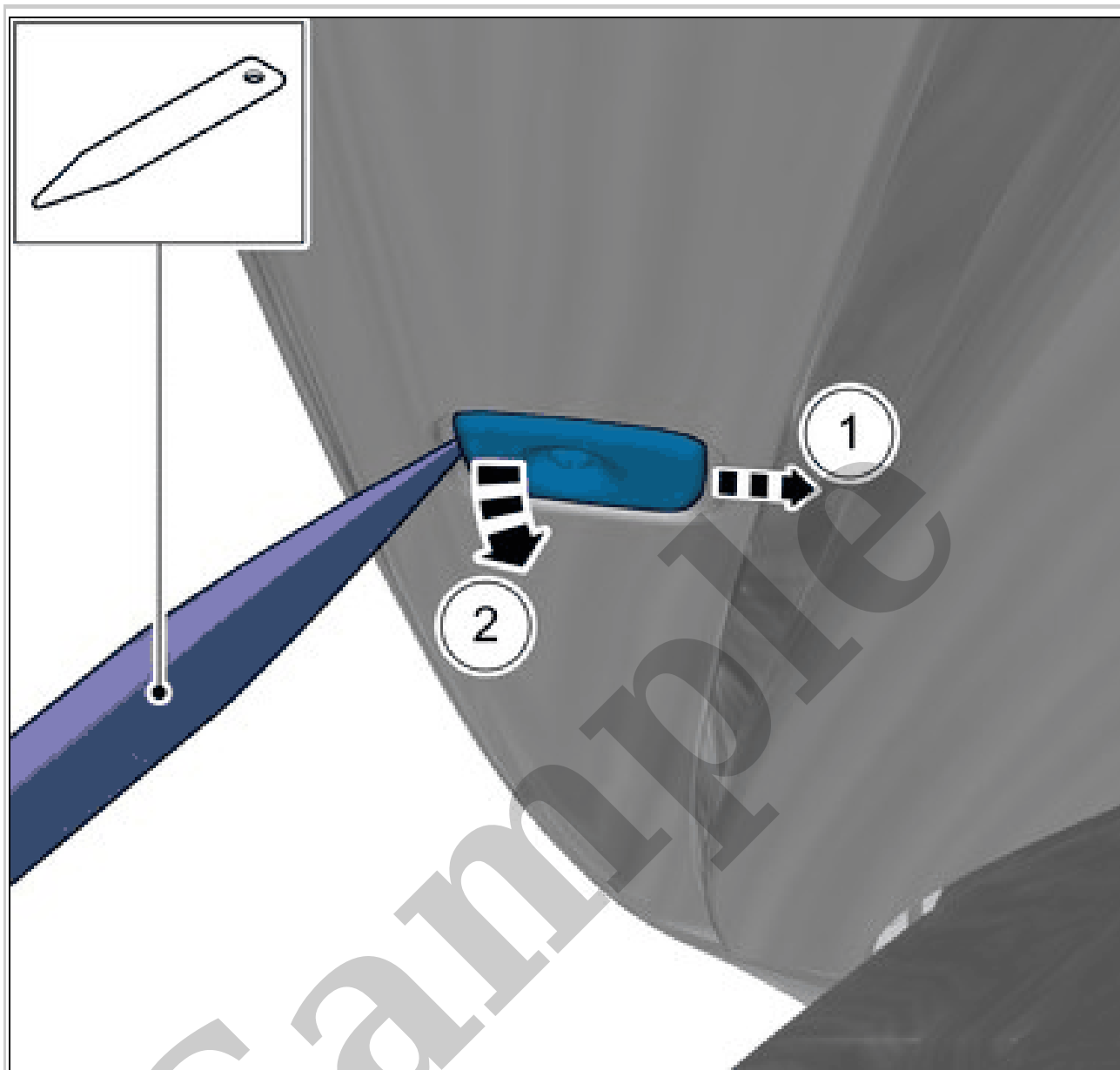


Your Ultimate Source for OEM Repair Manuals

FactoryManuals.net is a great resource for anyone who wants to save money on repairs by doing their own work. The manuals provide detailed instructions and diagrams that make it easy to understand how to fix a vehicle.

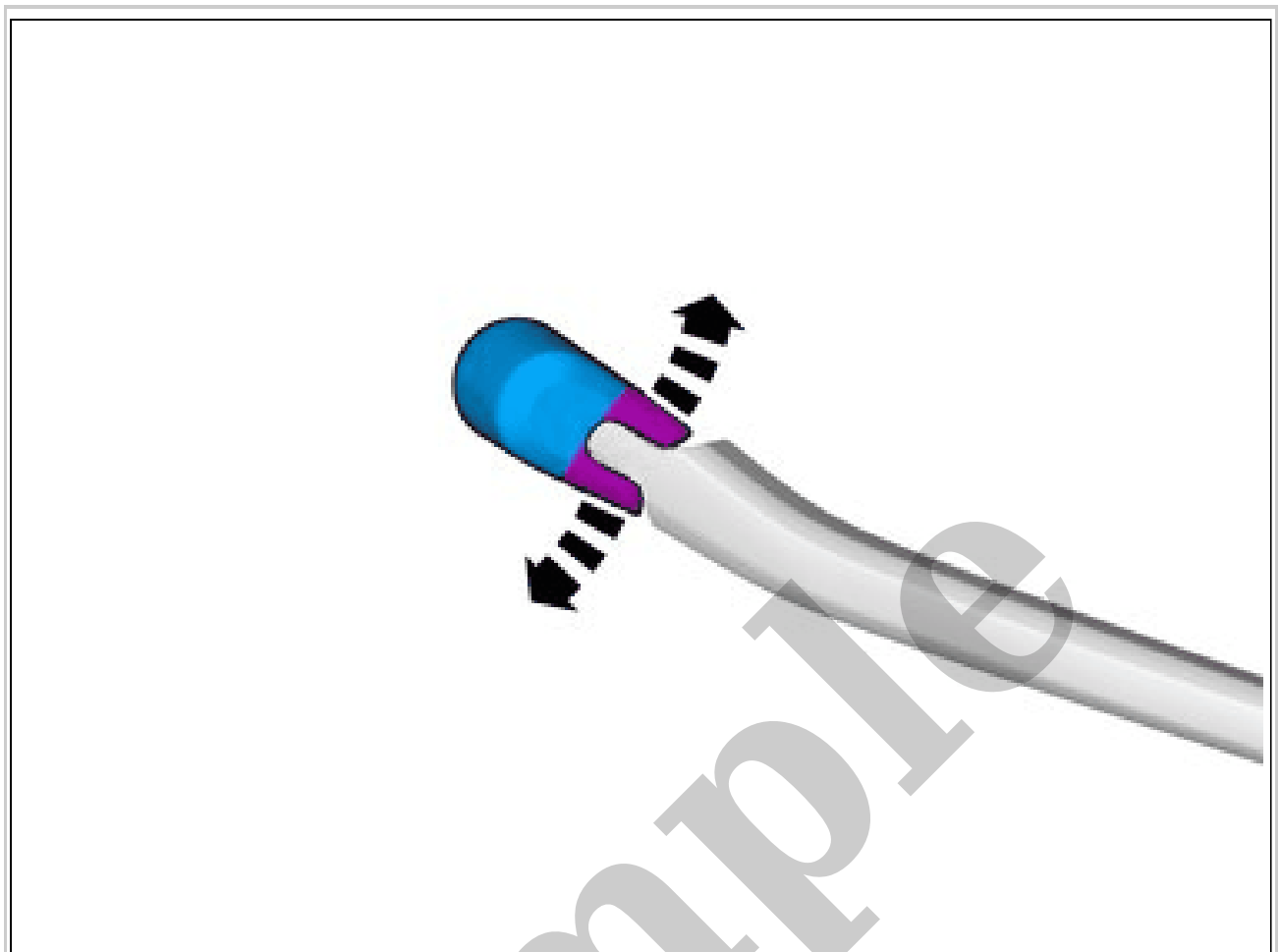
1992 VOLVO 460 OEM Service and Repair Workshop Manual

[Go to manual page](#)



Courtesy of VOLVO CARS CORPORATION

Remove the part carefully



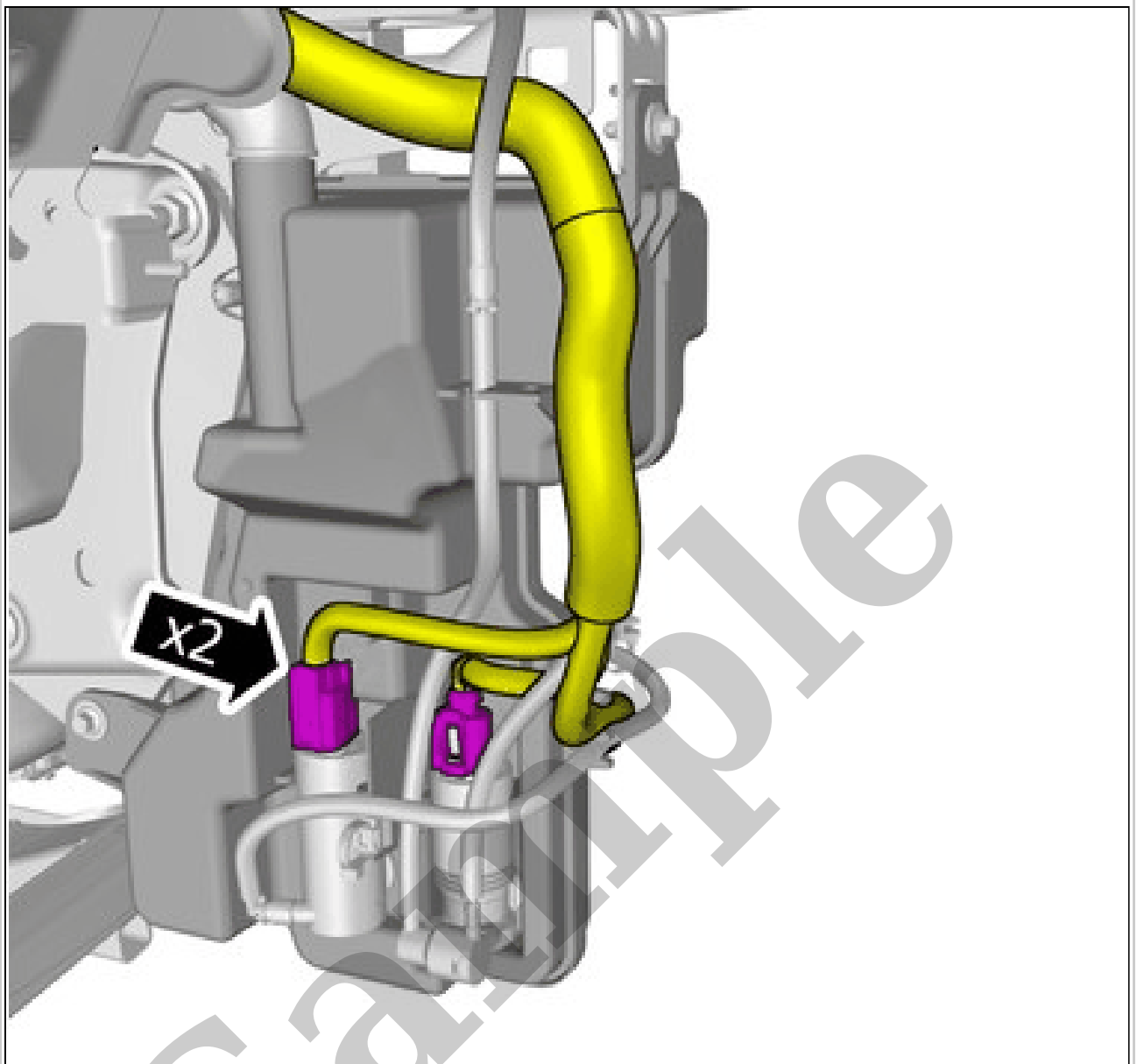
Courtesy of VOLVO CARS CORPORATION

Remove the marked part.

INSTALLATION

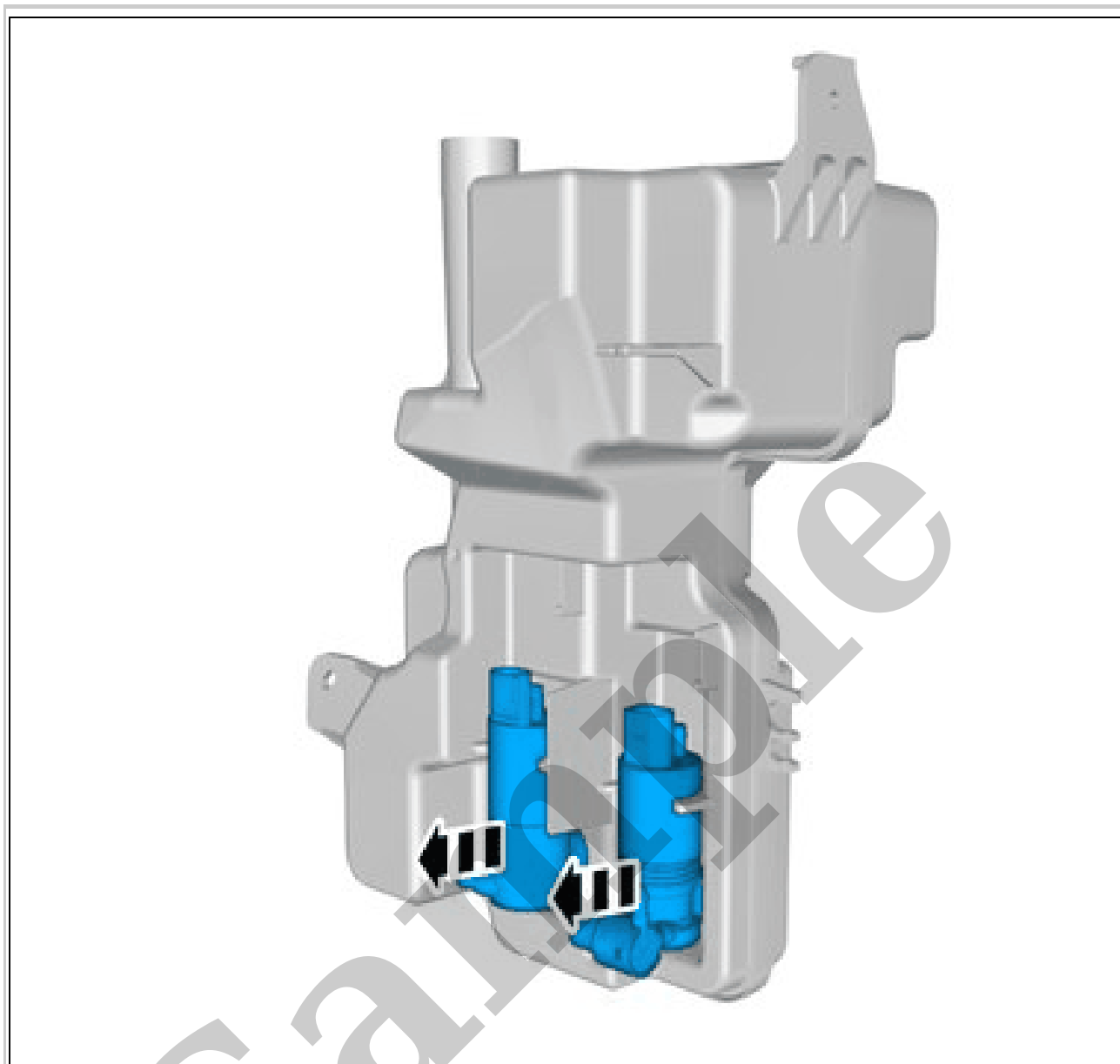
To install, reverse the removal procedure.

**REFILL RUBBER, WIPER BLADE > REFILL RUBBER, WIPER BLADE [2018-2022] >
REMOVAL**



Courtesy of VOLVO CARS CORPORATION

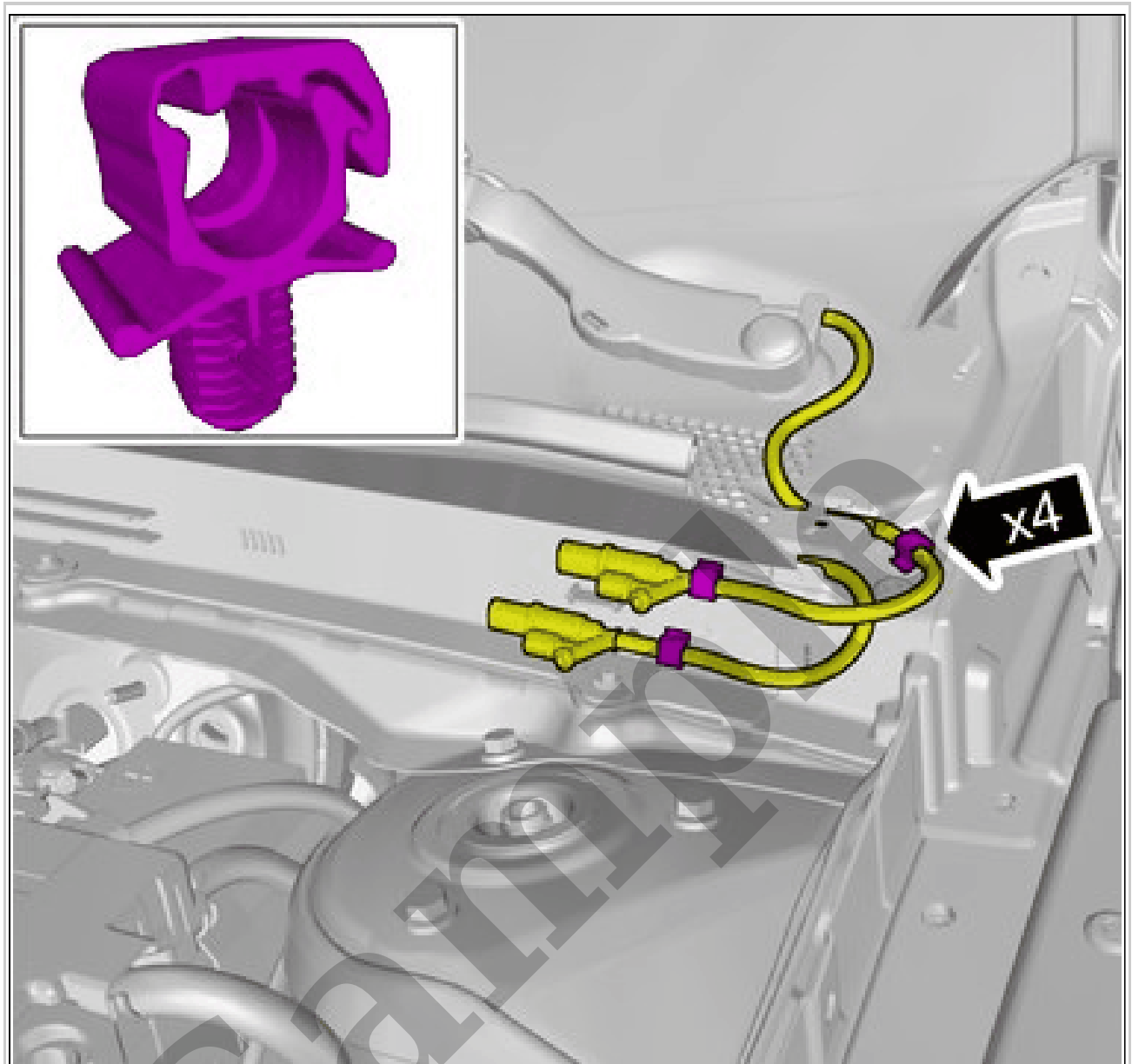
Disconnect the connectors.



Courtesy of VOLVO CARS CORPORATION

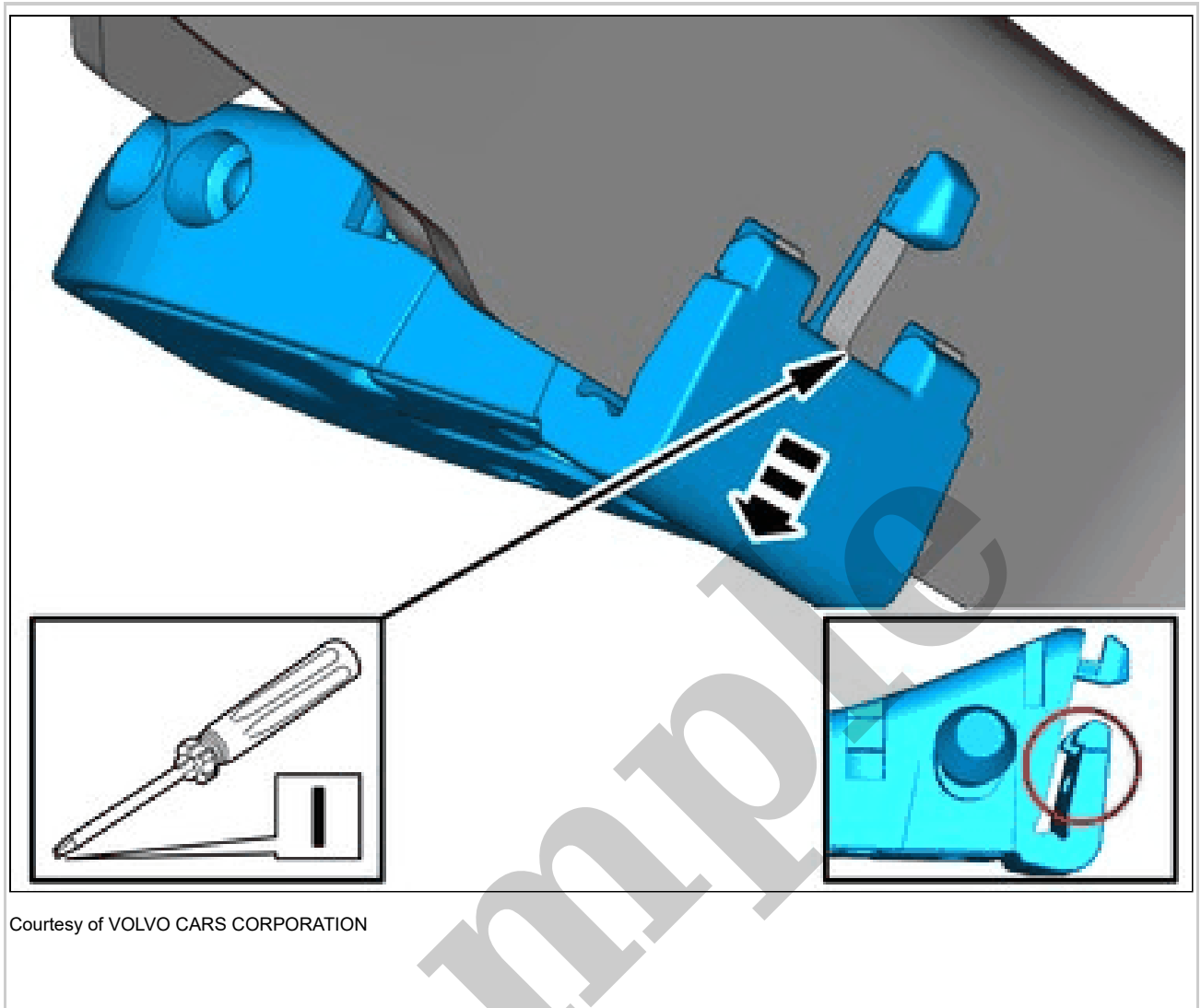
Remove the marked part.

INSTALLATION



Courtesy of VOLVO CARS CORPORATION

Loosen the clips.



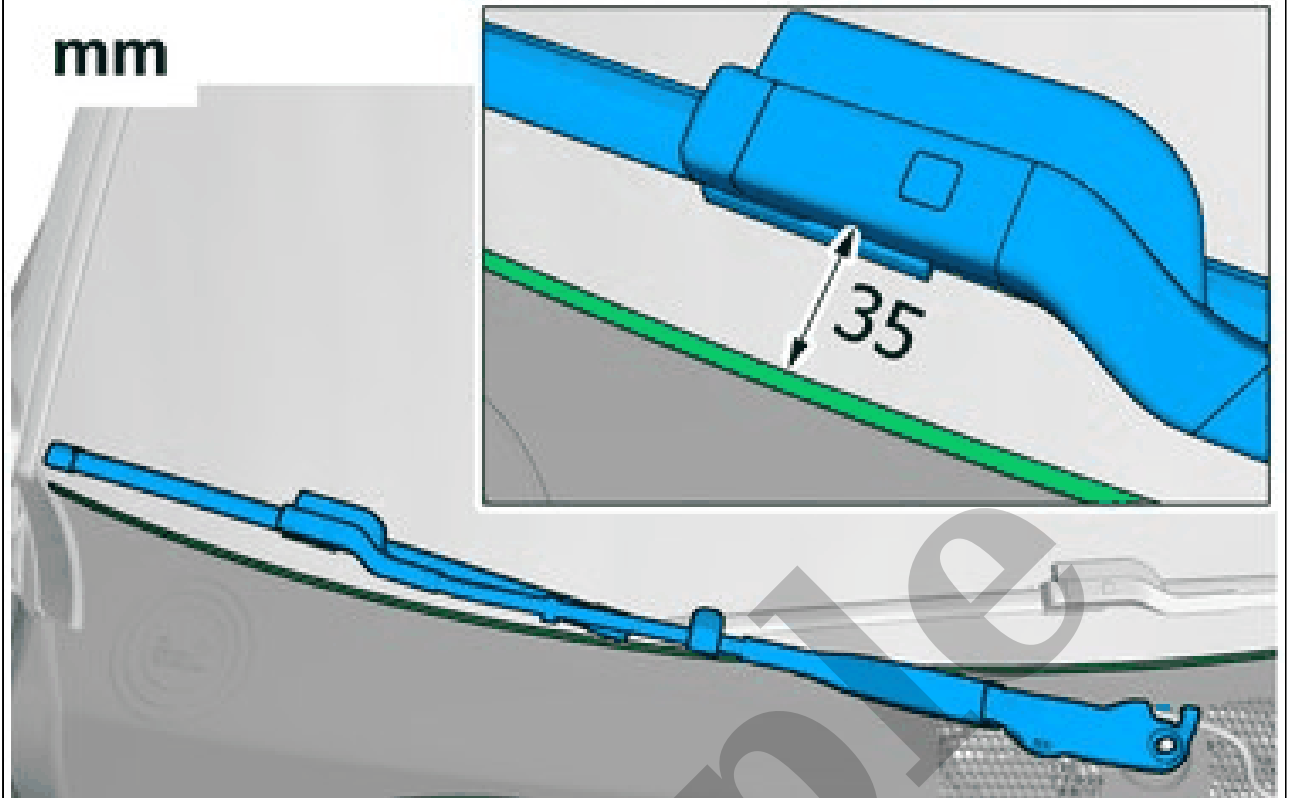
Courtesy of VOLVO CARS CORPORATION

Release the catches.

Loosen the marked detail.

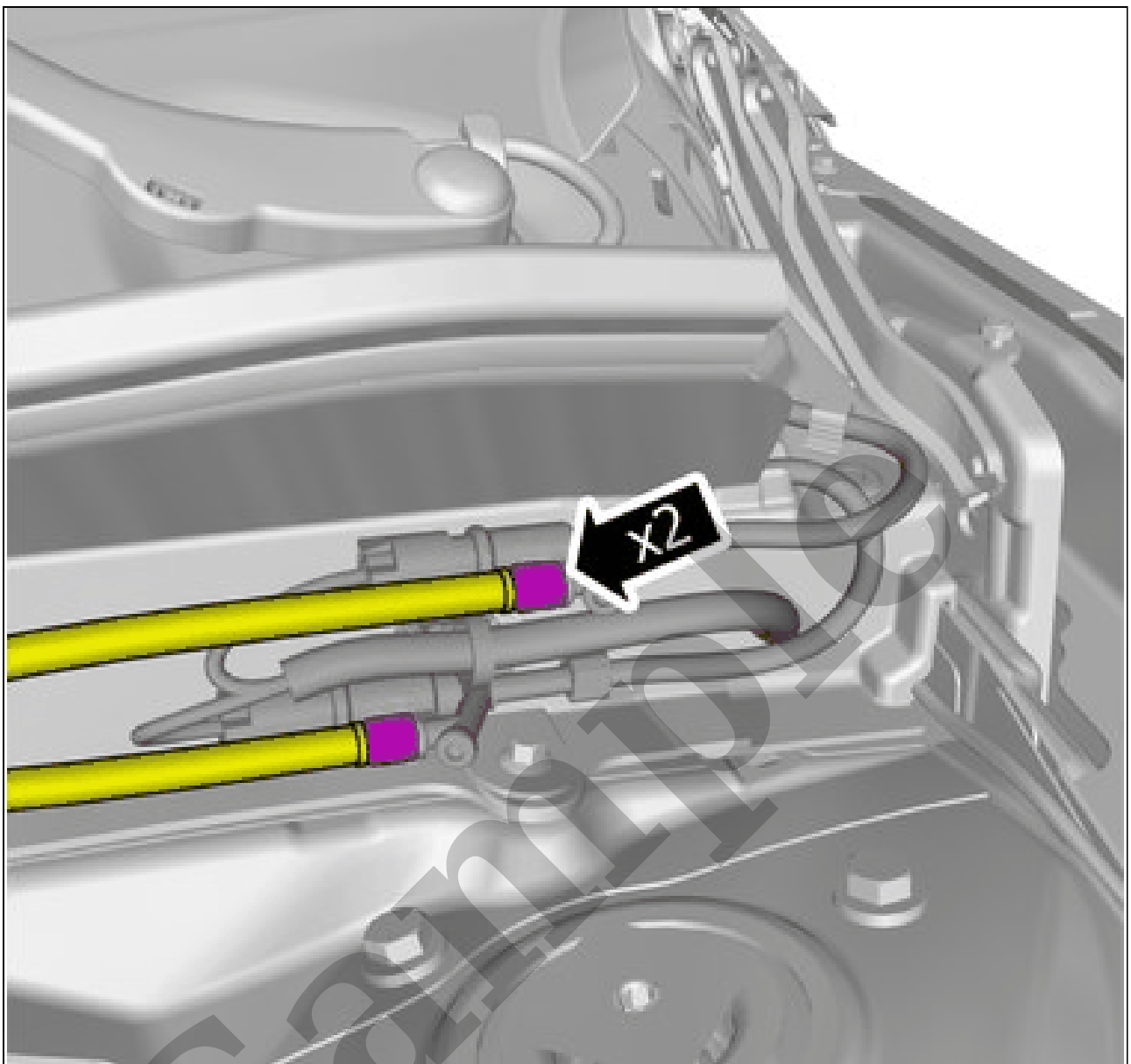
Use: Electrician's screwdriver

mm



Courtesy of VOLVO CARS CORPORATION

Adjust to the specified value.
Tighten the nut.

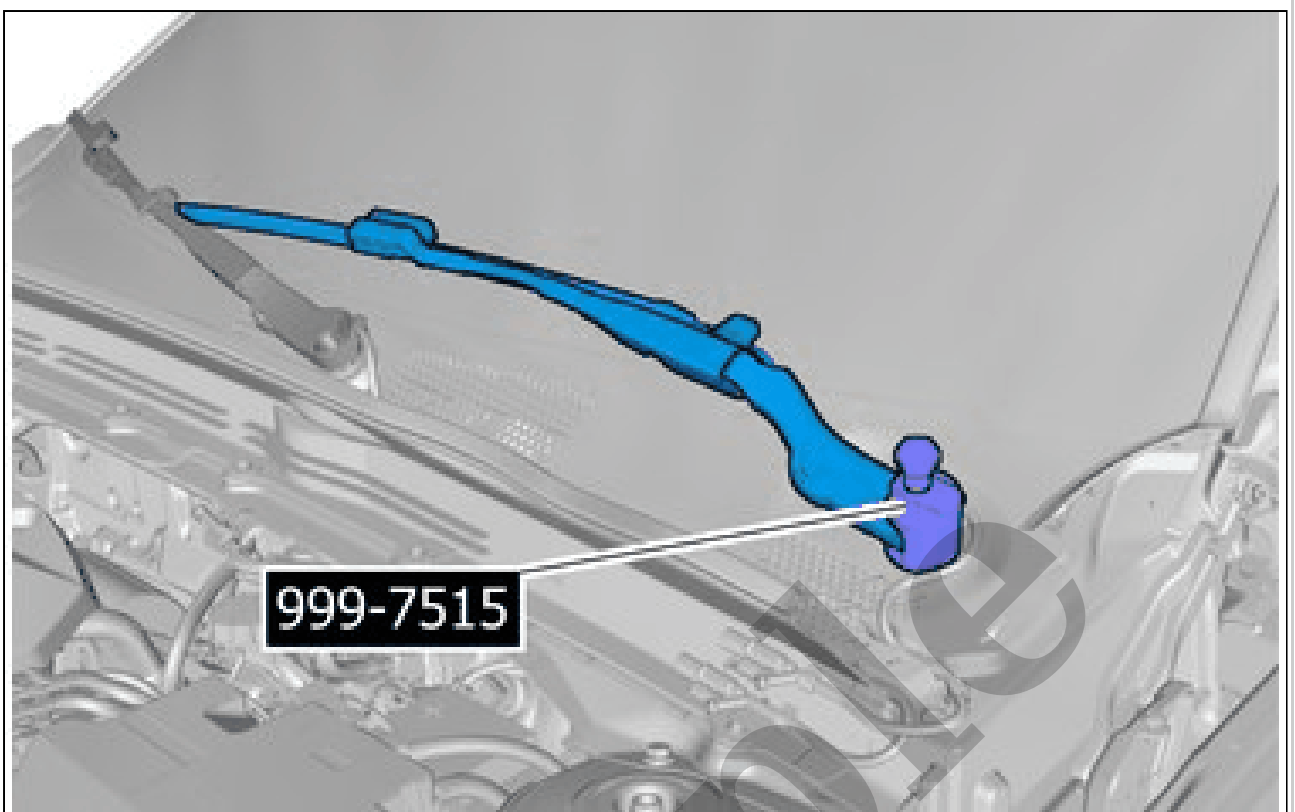


Courtesy of VOLVO CARS CORPORATION

WARNING: *Be prepared to collect escaping fluid.*

Undo the hoses from the connections.

Set the vehicle to Inactive mode, described in user mode. Refer to: USAGE MODE



Courtesy of VOLVO CARS CORPORATION

Special Tool: 999 7515 Puller
Remove the marked part.
On both sides.