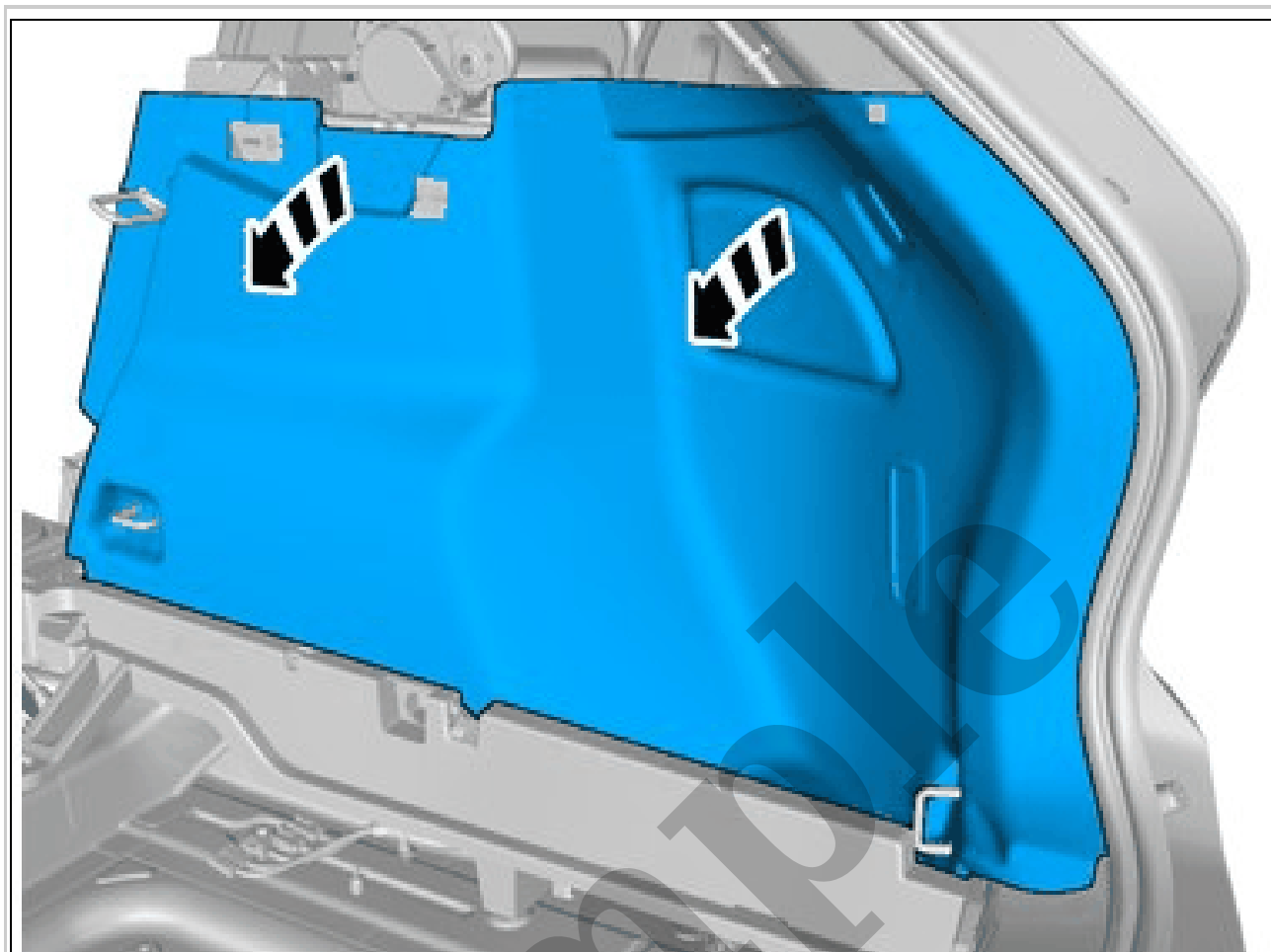


# Your Ultimate Source for OEM Repair Manuals

FactoryManuals.net is a great resource for anyone who wants to save money on repairs by doing their own work. The manuals provide detailed instructions and diagrams that make it easy to understand how to fix a vehicle.

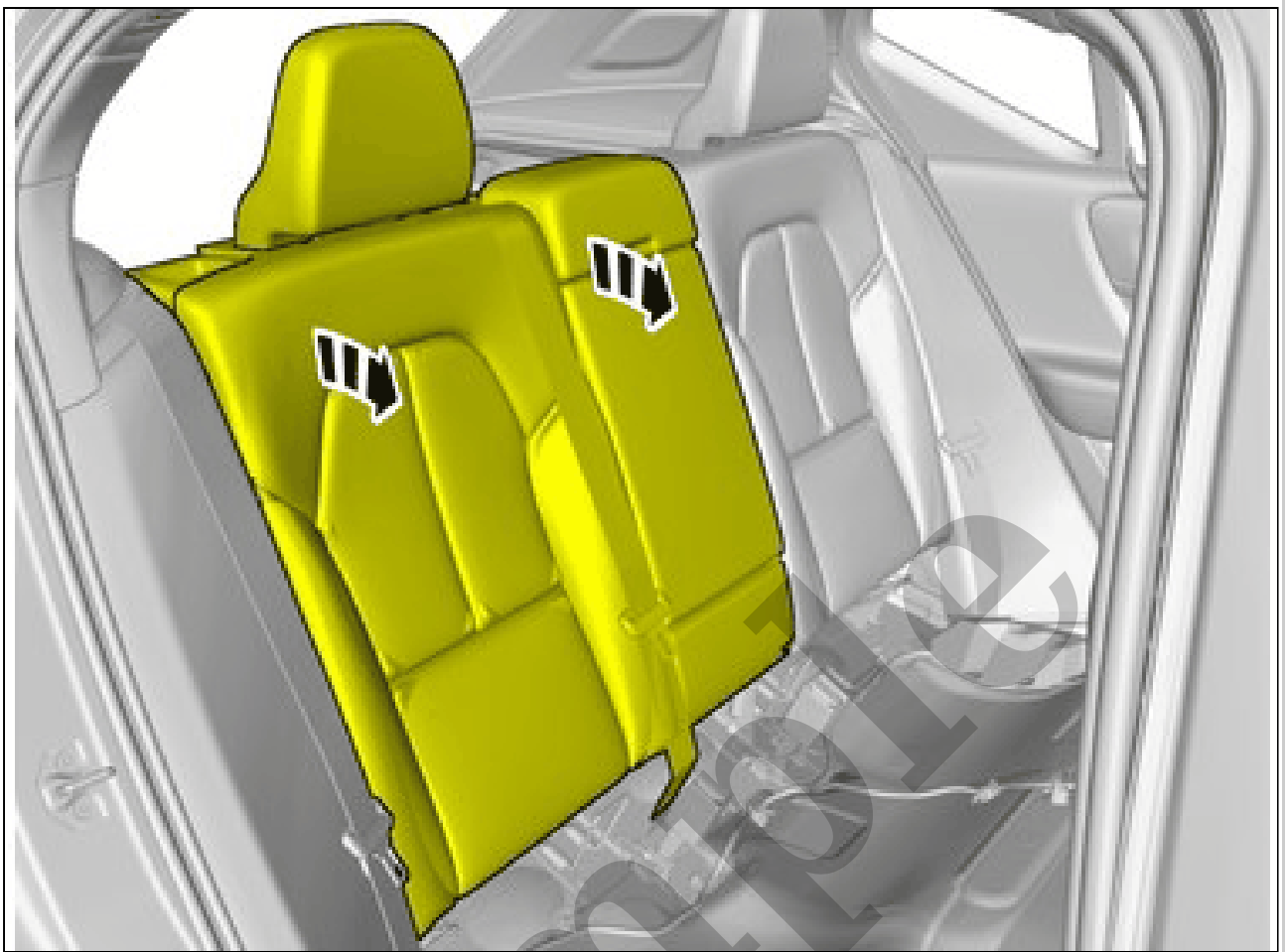
## 1991 VOLVO 960 OEM Service and Repair Workshop Manual

[Go to manual page](#)

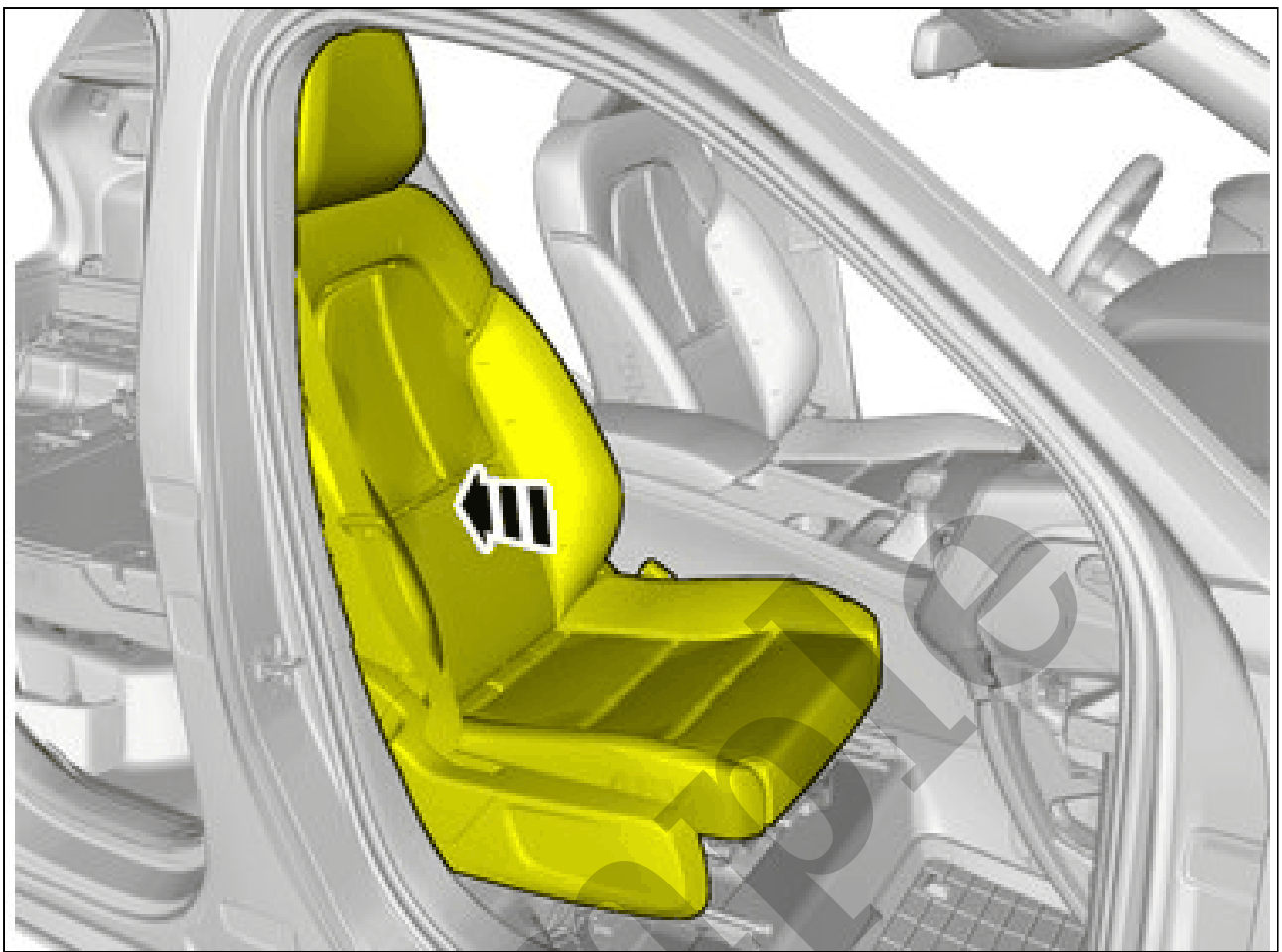


Courtesy of VOLVO CARS CORPORATION

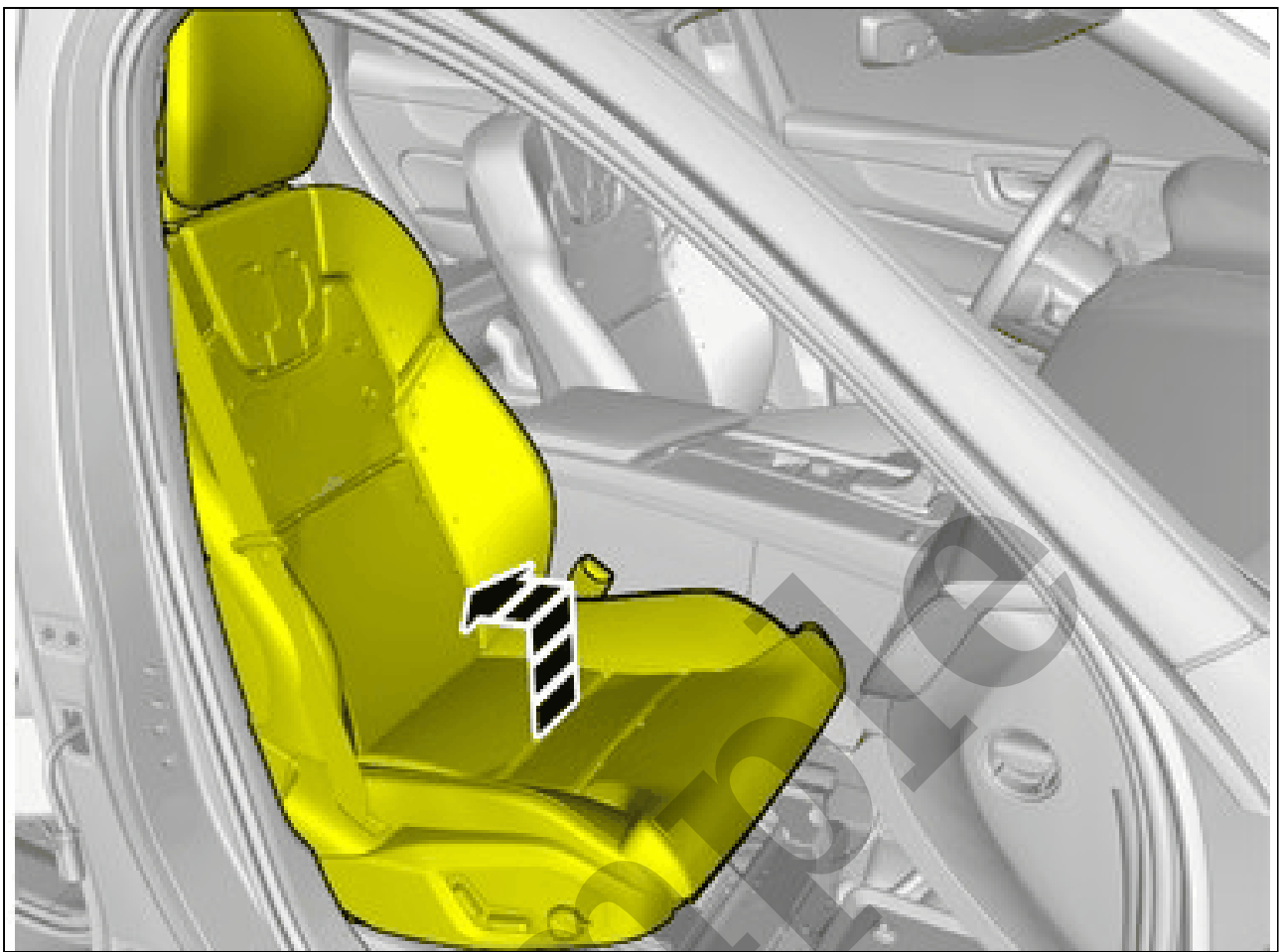
Disconnect the connectors.  
Remove the marked part.



Courtesy of VOLVO CARS CORPORATION

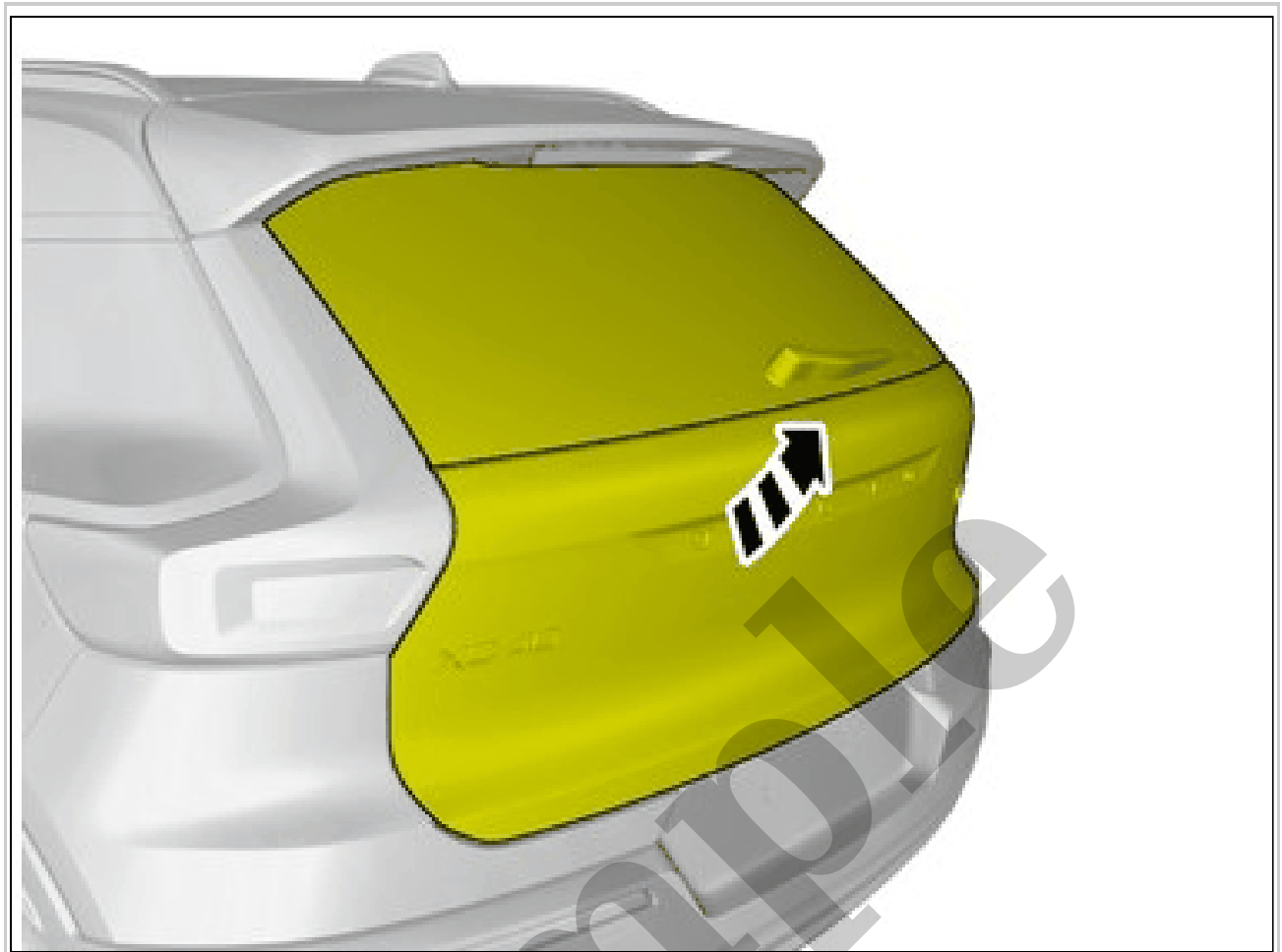


Courtesy of VOLVO CARS CORPORATION



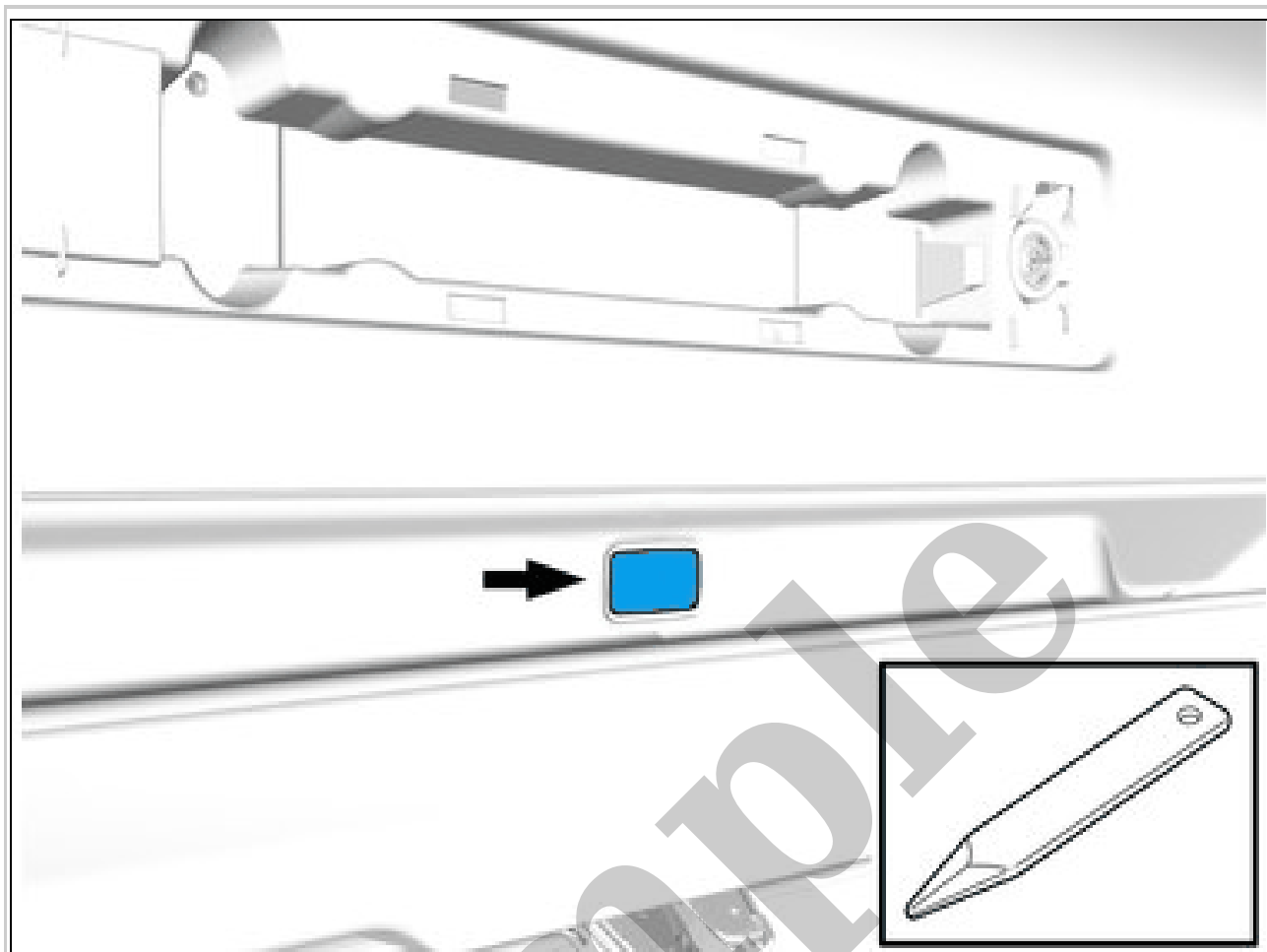
Courtesy of VOLVO CARS CORPORATION

Samurai



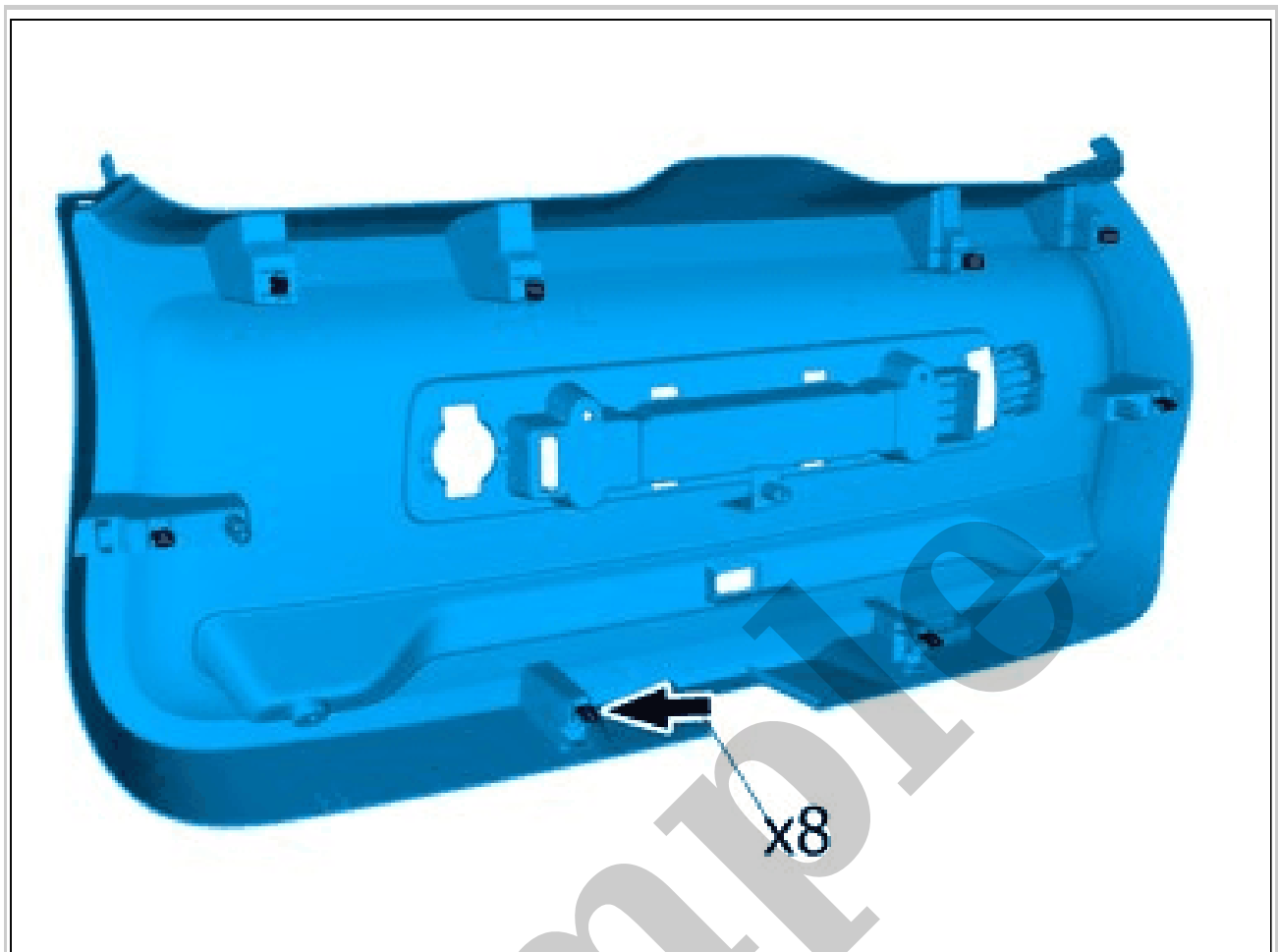
Courtesy of VOLVO CARS CORPORATION

Sample



Courtesy of VOLVO CARS CORPORATION

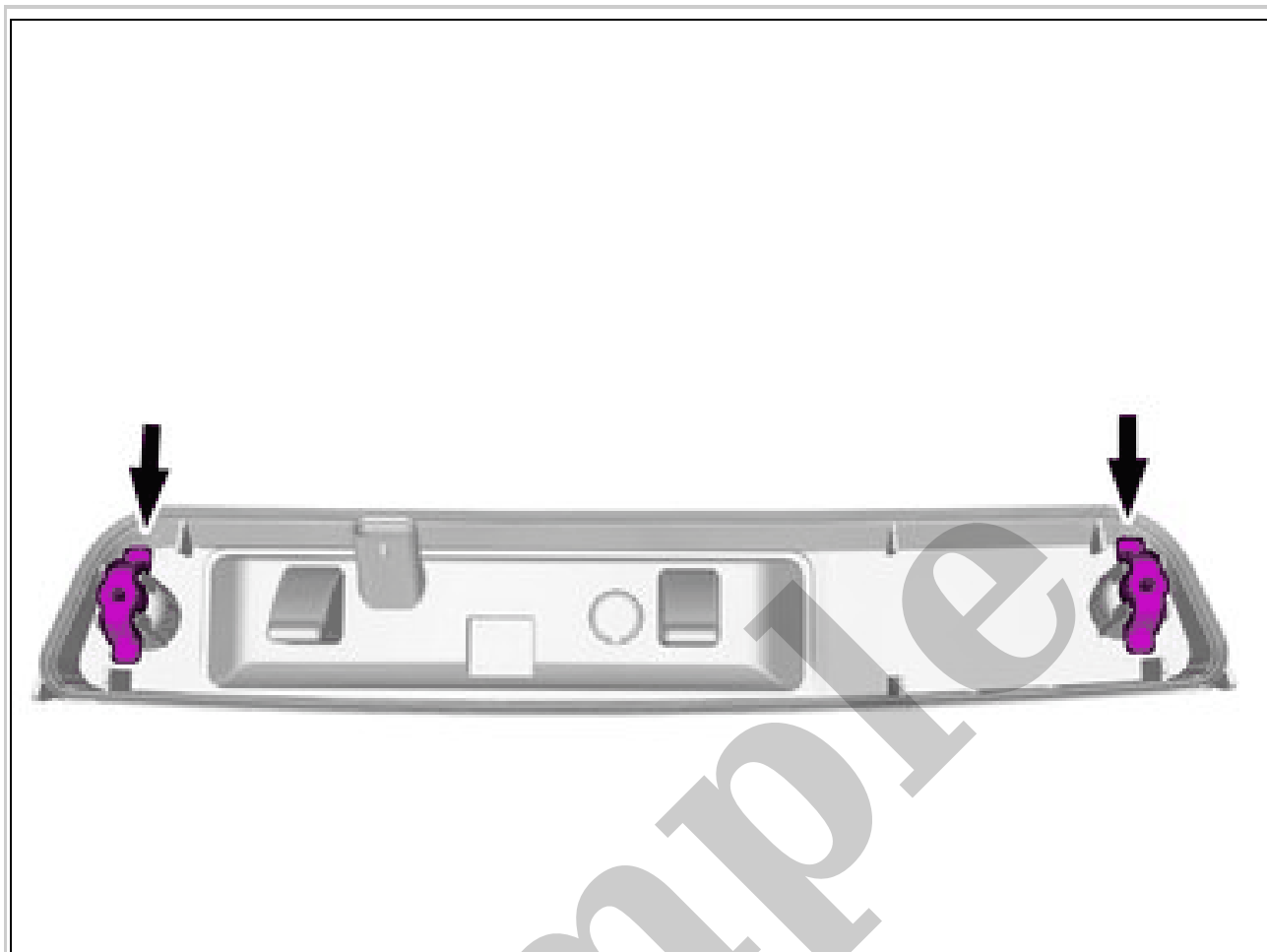
Remove the marked part.



Courtesy of VOLVO CARS CORPORATION

The graphic shows the back of the component.

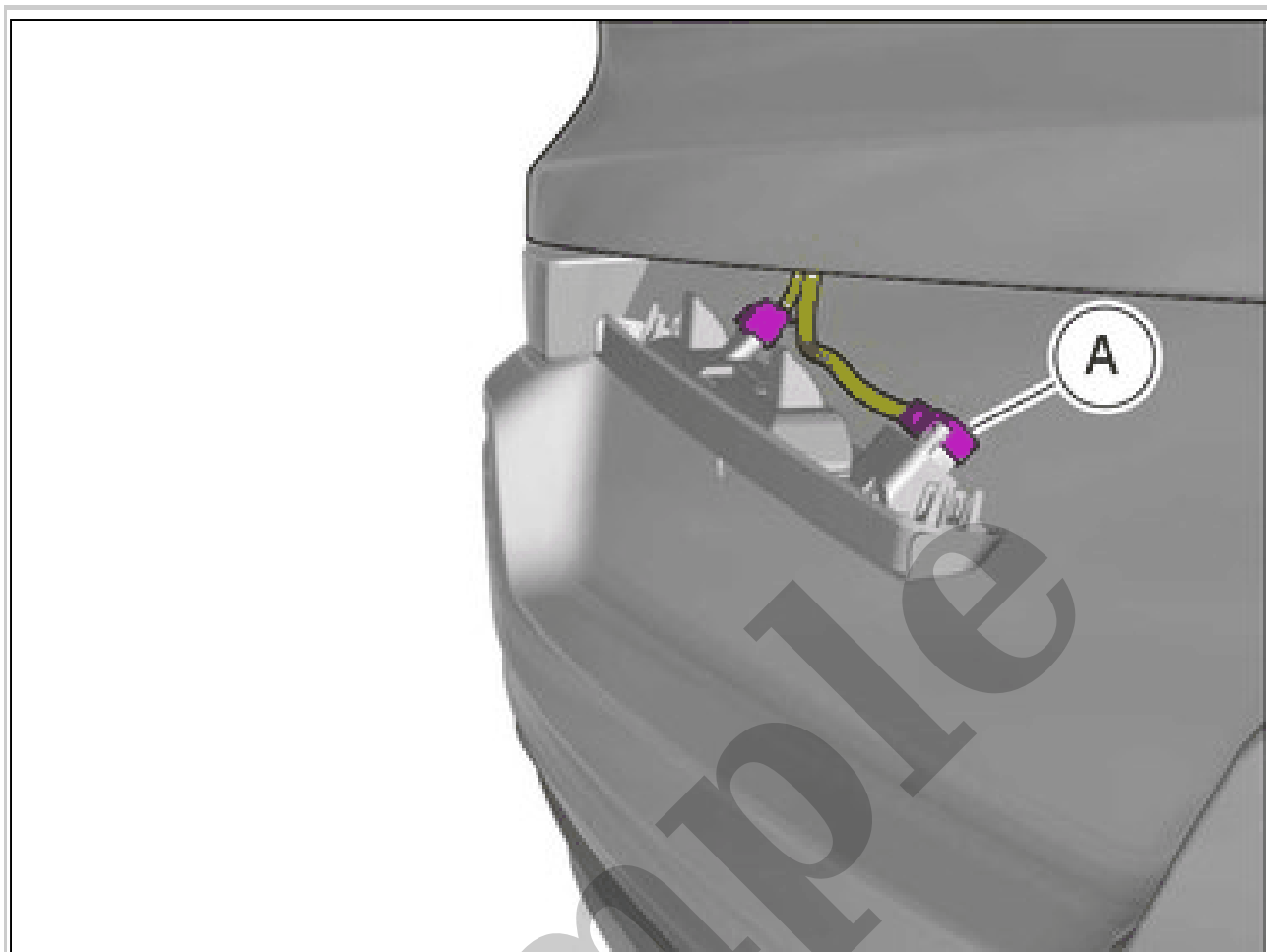




Courtesy of VOLVO CARS CORPORATION

Remove the clips.  
The item is to be reused.

**ACCESSORY INSTALLATION**



Courtesy of VOLVO CARS CORPORATION

Connect the connectors.