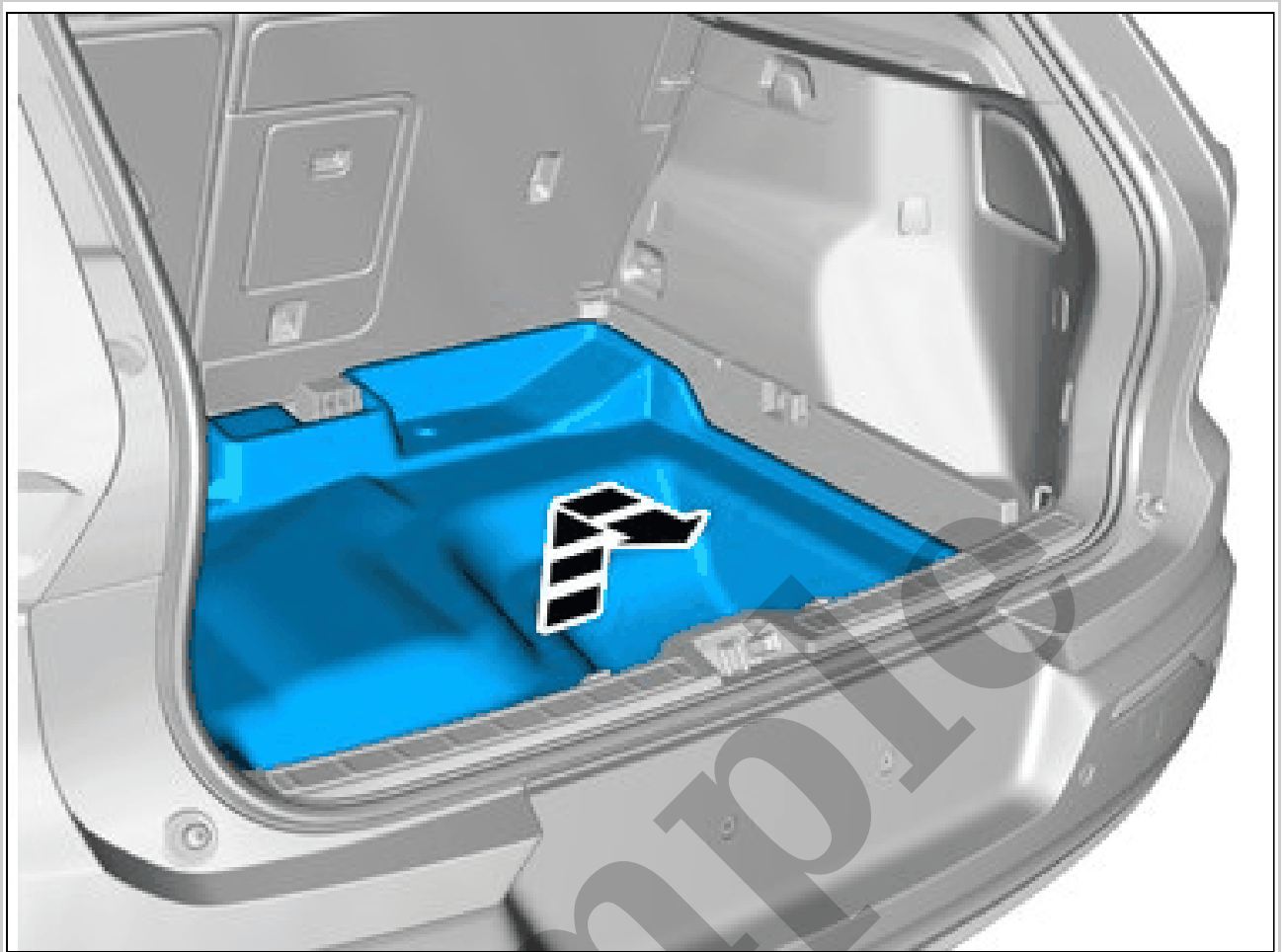


Your Ultimate Source for OEM Repair Manuals

FactoryManuals.net is a great resource for anyone who wants to save money on repairs by doing their own work. The manuals provide detailed instructions and diagrams that make it easy to understand how to fix a vehicle.

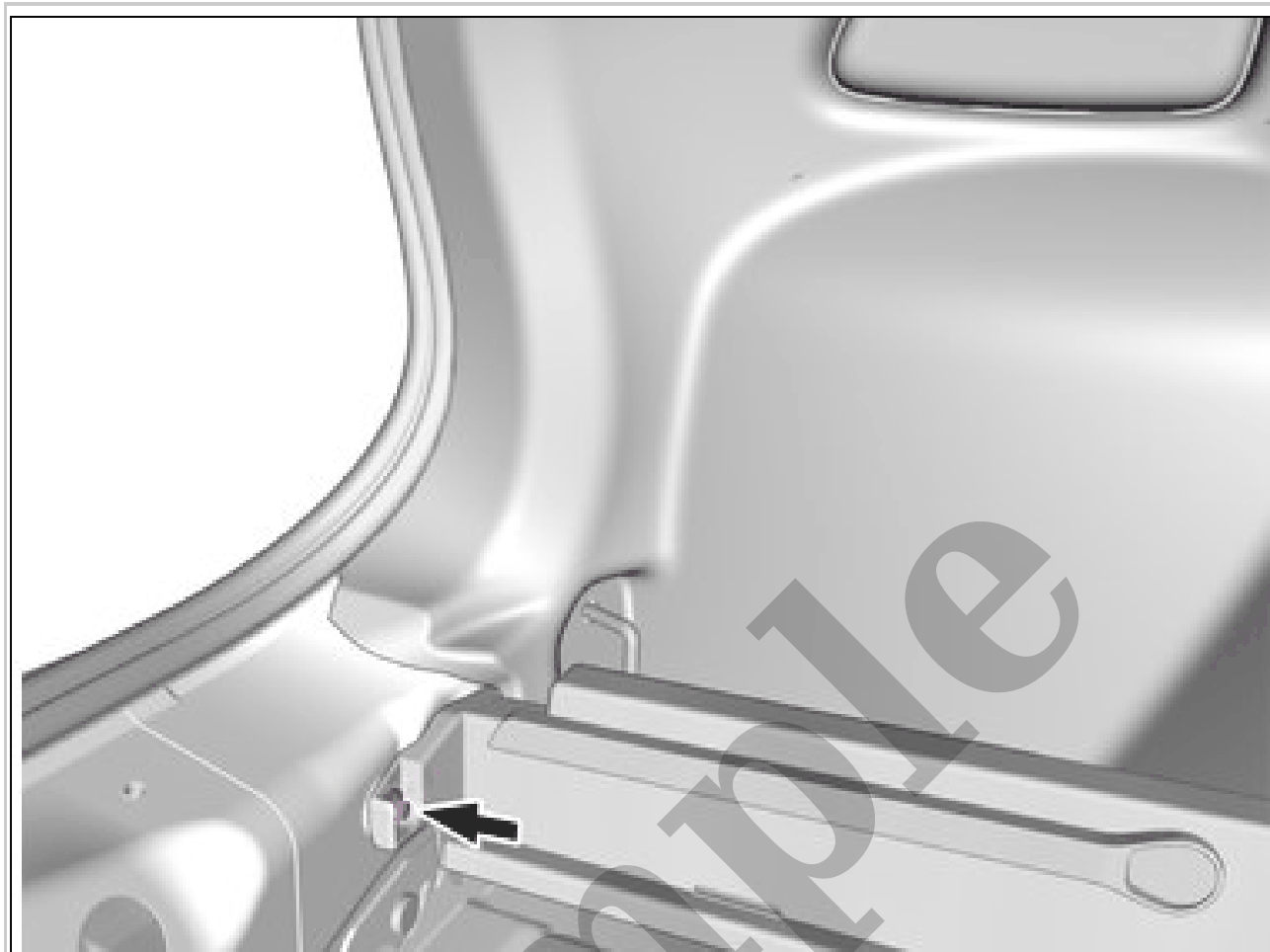
1990 VOLVO 960 OEM Service and Repair Workshop Manual

[Go to manual page](#)



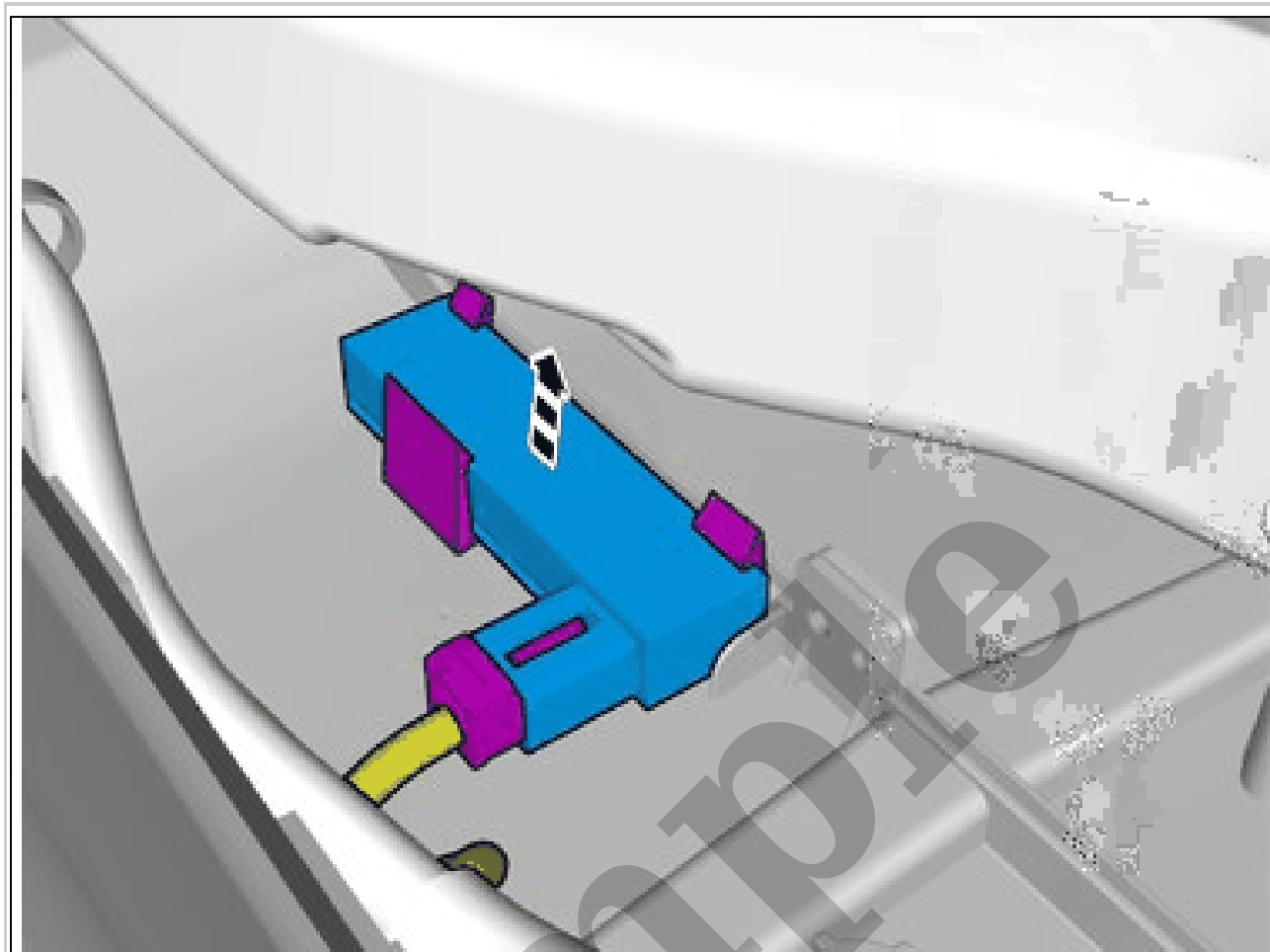
Courtesy of VOLVO CARS CORPORATION

Remove the marked part.



Courtesy of VOLVO CARS CORPORATION

Remove the screw.
Torque: M6, 10Nm



Courtesy of VOLVO CARS CORPORATION

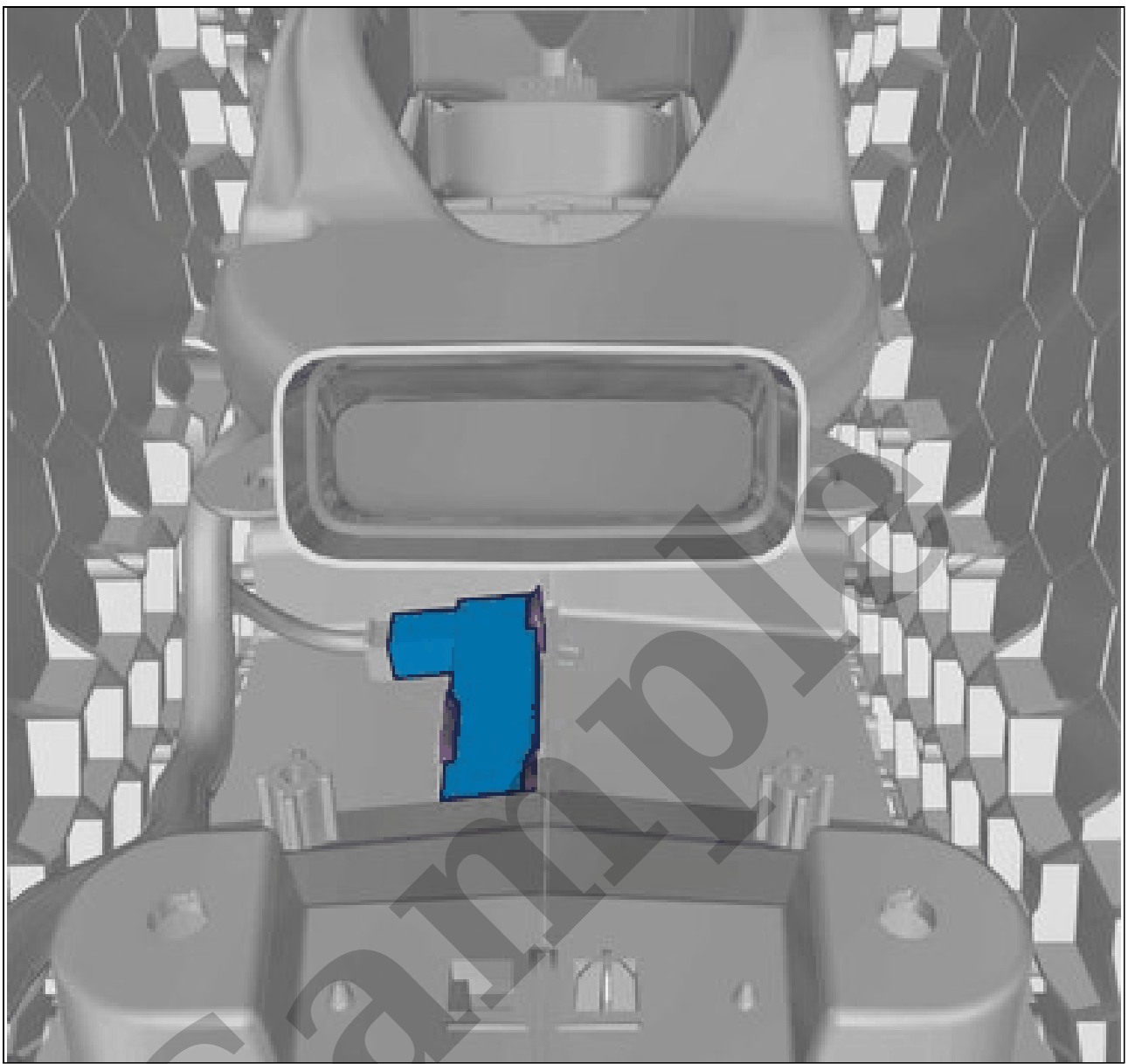
Disconnect the connector.
Release the catches.
Remove the marked part.

**ANTENNA, KEYLESS VEHICLE, CENTER > ANTENNA, KEYLESS VEHICLE, CENTER
[2018-2022, B4204T18 | 2019-2022, B4204T47 | 2021, E400V6] > INSTALLATION**

To install, reverse the removal procedure.

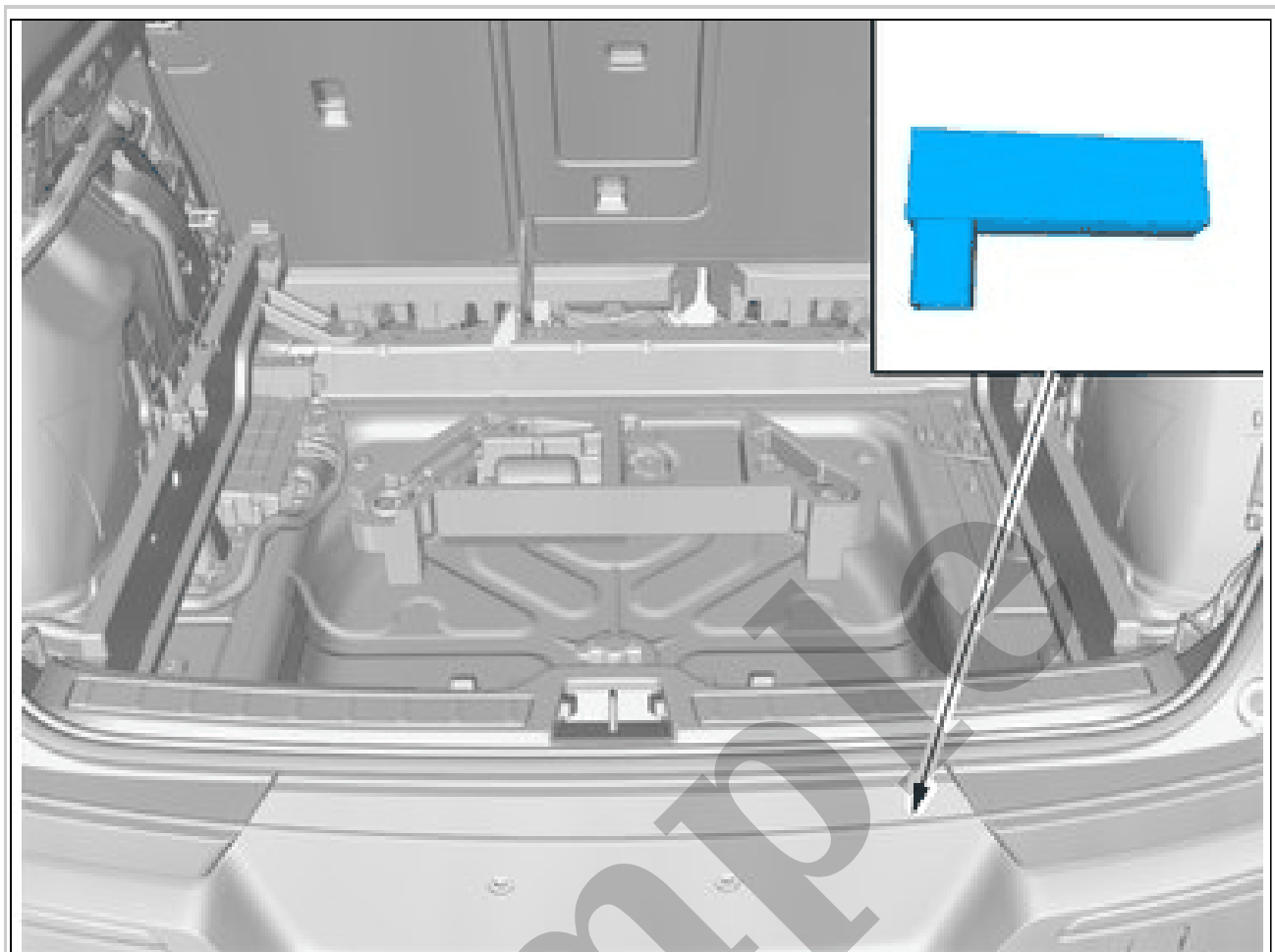
**ANTENNA, KEYLESS VEHICLE, CENTER > ANTENNA, KEYLESS VEHICLE, CENTER
[2022, E400V6] > REMOVAL**

Remove floor console. Refer to: FLOOR CONSOLE



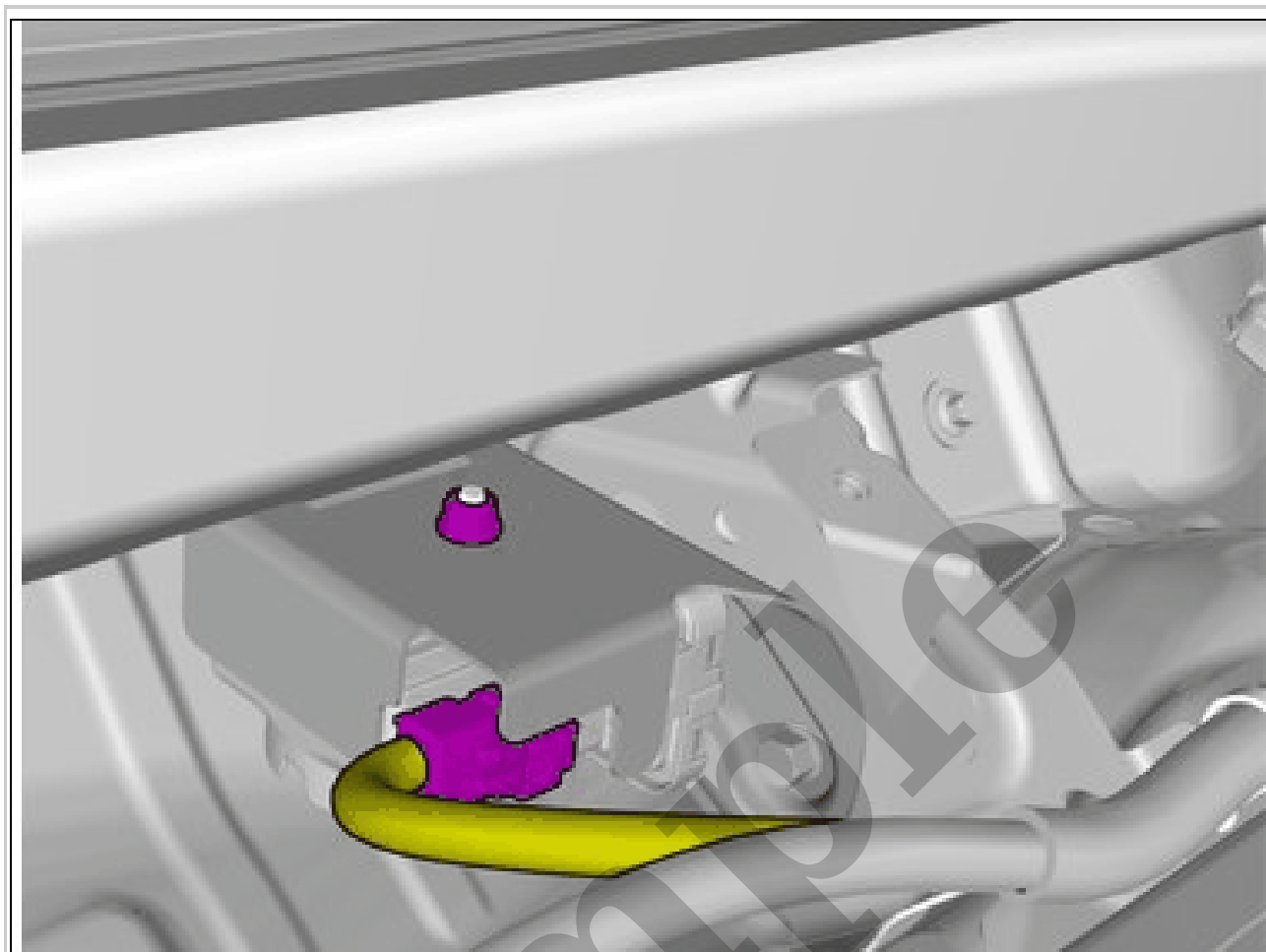
Courtesy of VOLVO CARS CORPORATION

Release the catches.
Loosen the marked detail.



Courtesy of VOLVO CARS CORPORATION

NOTE: Orientation view



Courtesy of VOLVO CARS CORPORATION

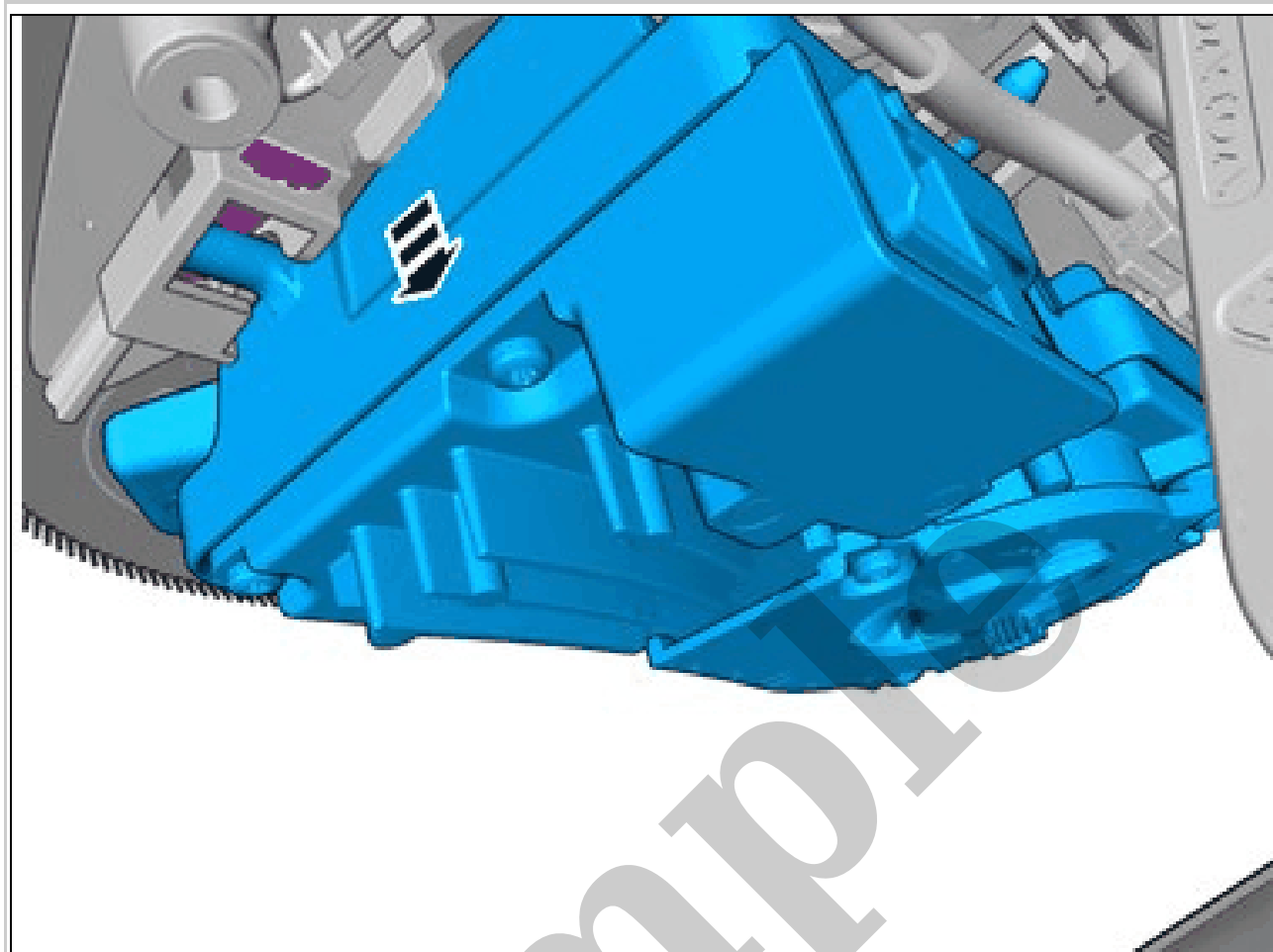
Disconnect the connector.
Remove the nut.

Torque: M6, 10Nm



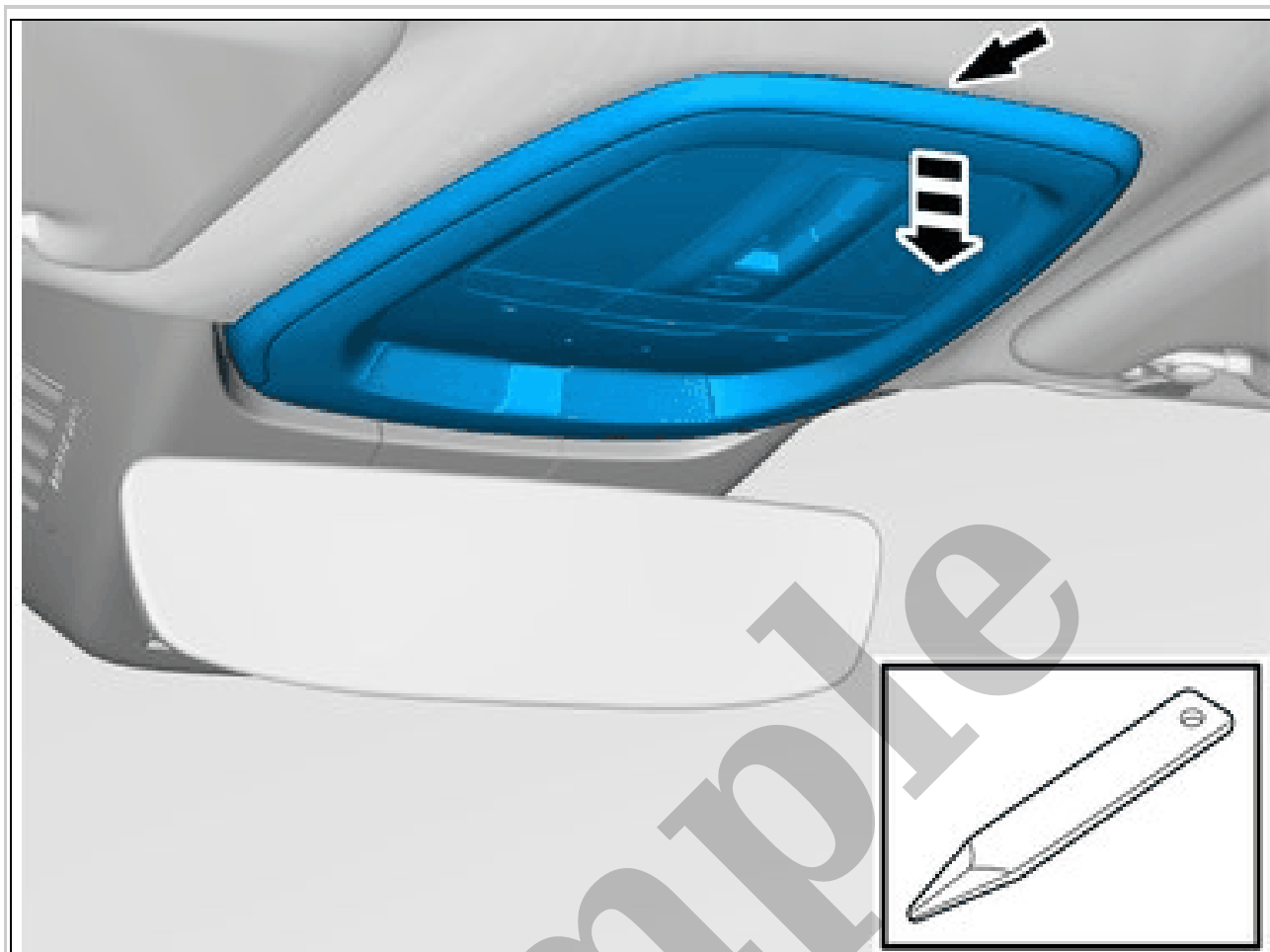
Courtesy of VOLVO CARS CORPORATION

Remove the marked part.



Courtesy of VOLVO CARS CORPORATION

Tilt the component somewhat.



Courtesy of VOLVO CARS CORPORATION

NOTE: *The number of connectors may vary depending on the vehicle's equipment level.*

Remove the marked part.
Disconnect the connector.
Use: Interior trim remover