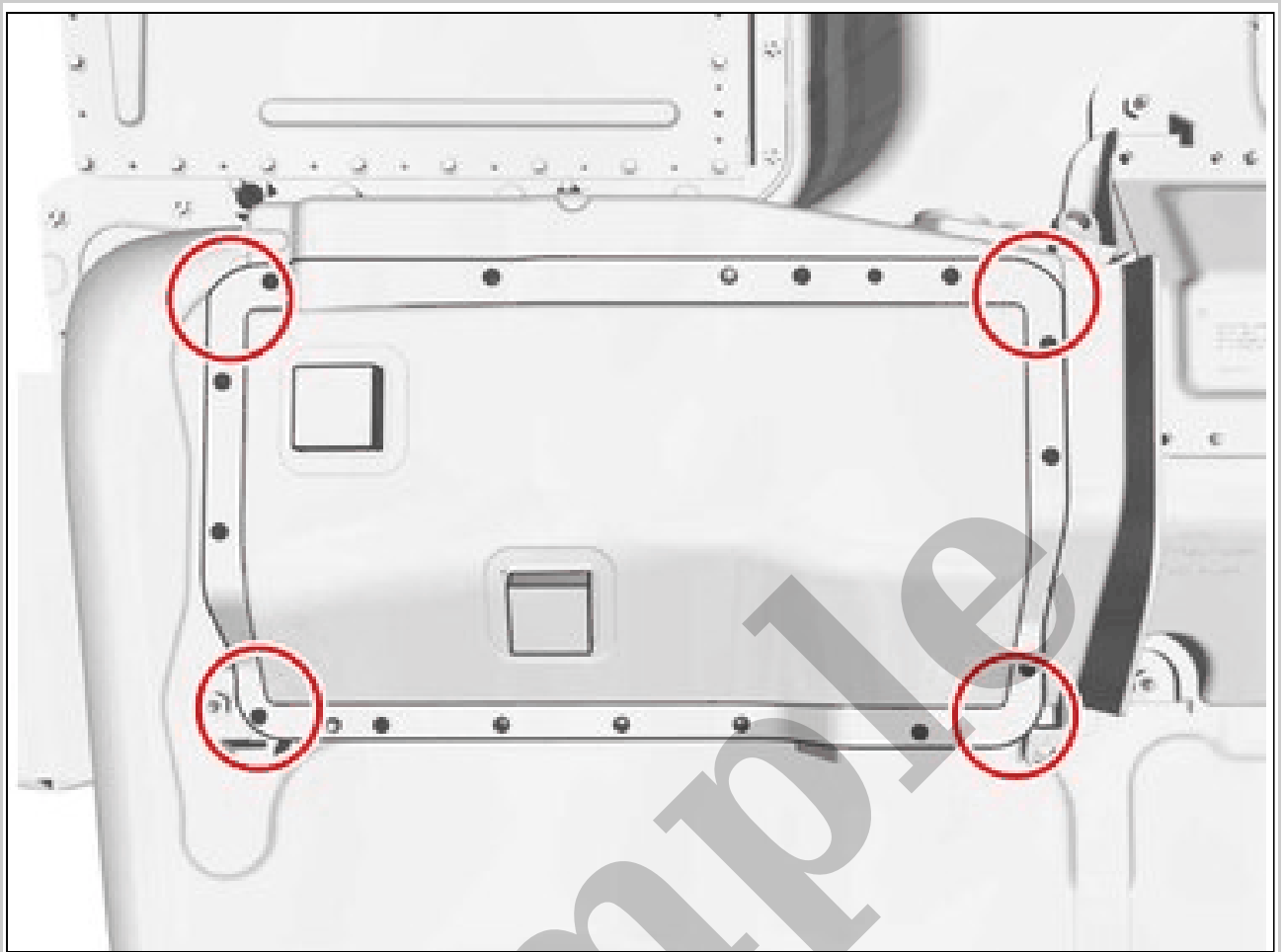


Your Ultimate Source for OEM Repair Manuals

FactoryManuals.net is a great resource for anyone who wants to save money on repairs by doing their own work. The manuals provide detailed instructions and diagrams that make it easy to understand how to fix a vehicle.

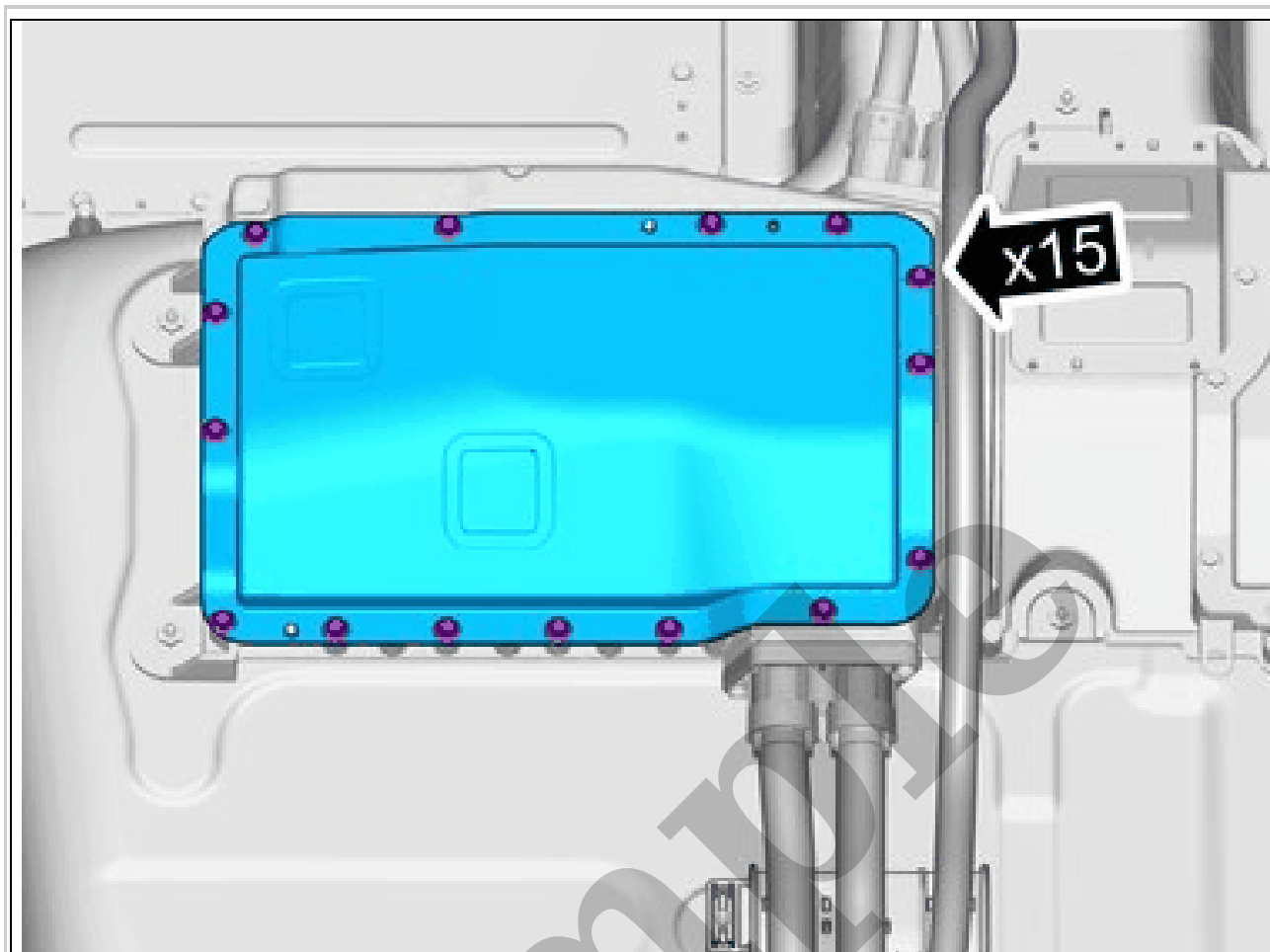
1990 VOLVO 940 Estate OEM Service and Repair Workshop Manual

[Go to manual page](#)



Courtesy of VOLVO CARS CORPORATION

NOTE: Press and apply pressure to the part over the tape for at least 20 seconds.

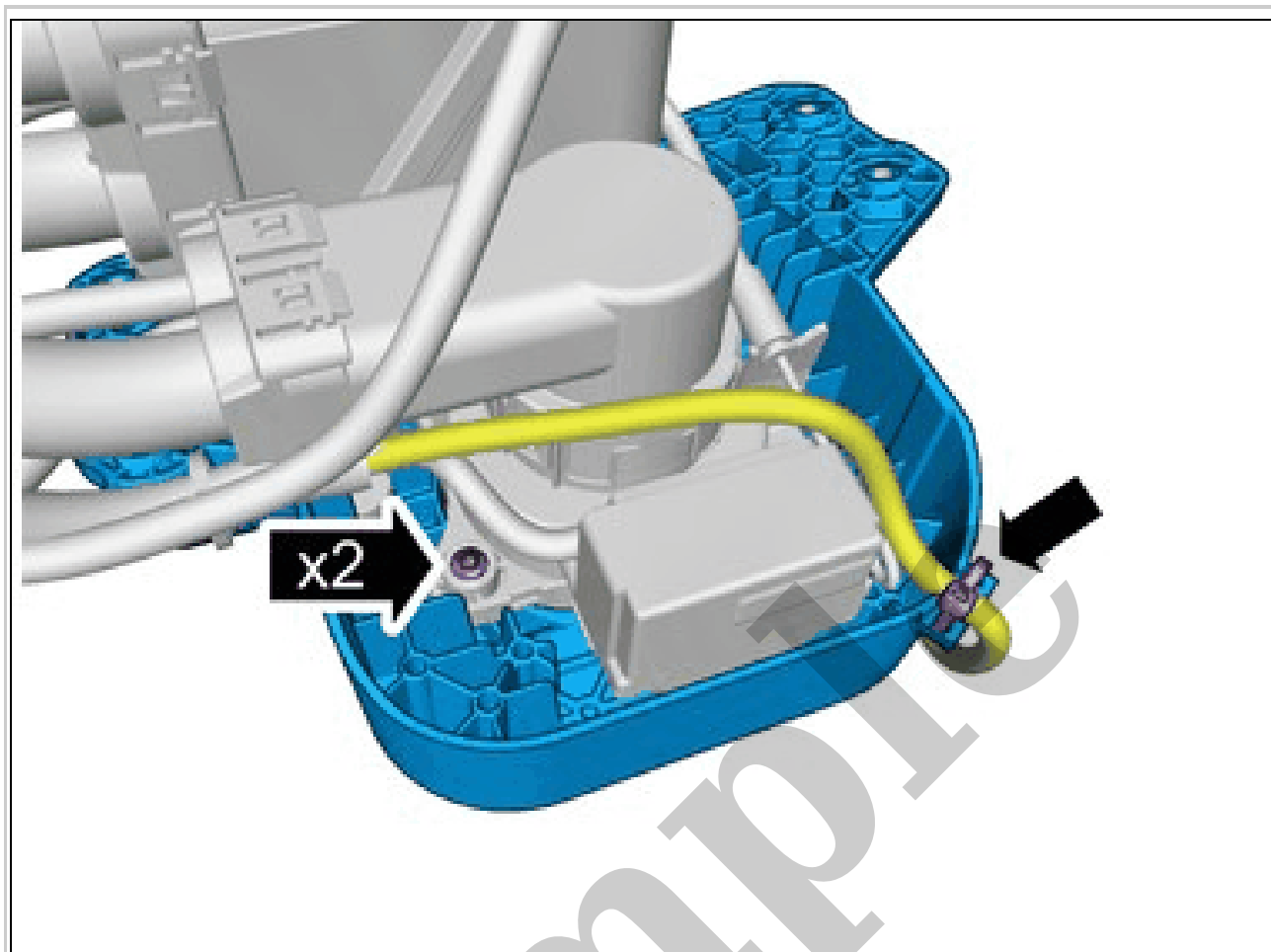


Courtesy of VOLVO CARS CORPORATION

Install the marked component.

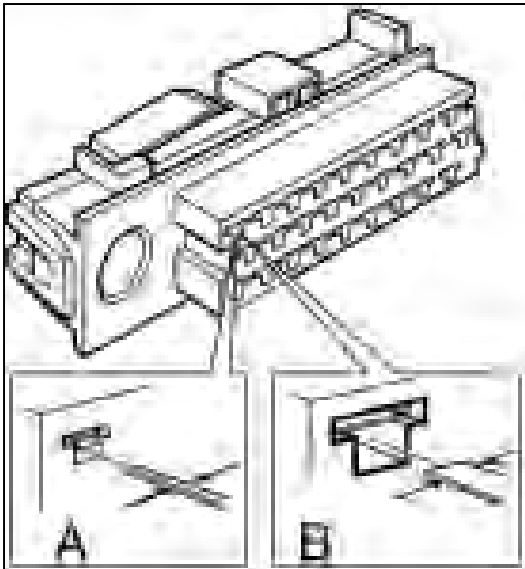
Install the screws.

Torque: M5, 5Nm



Courtesy of VOLVO CARS CORPORATION

- Remove the cable tie(s).
- Remove the screws.
- Remove the marked part.



Courtesy of VOLVO CARS CORPORATION

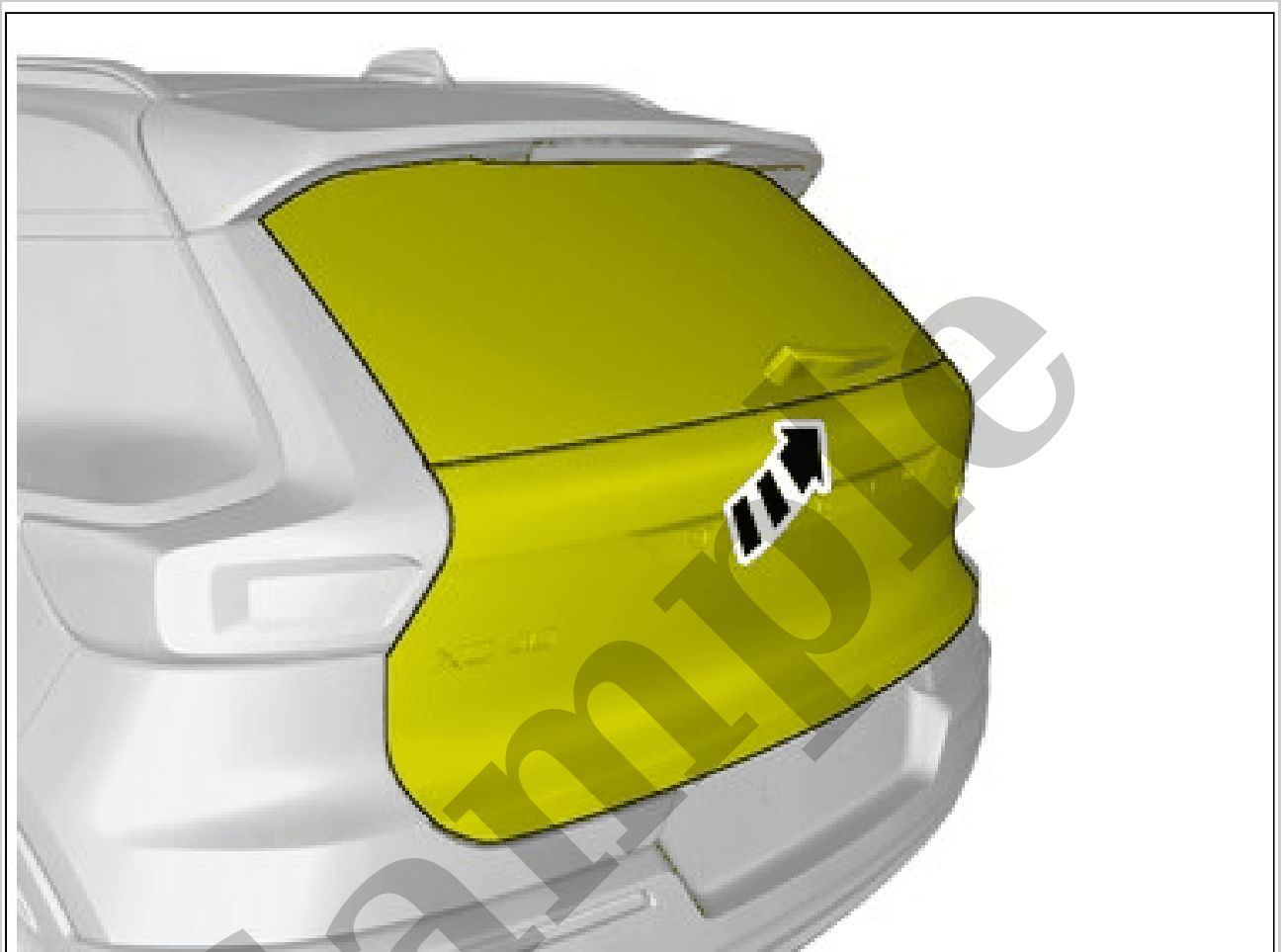
NOTE: Make sure that the component terminals are not bent or damaged.

NOTE: Only work on 1 cable at a time.

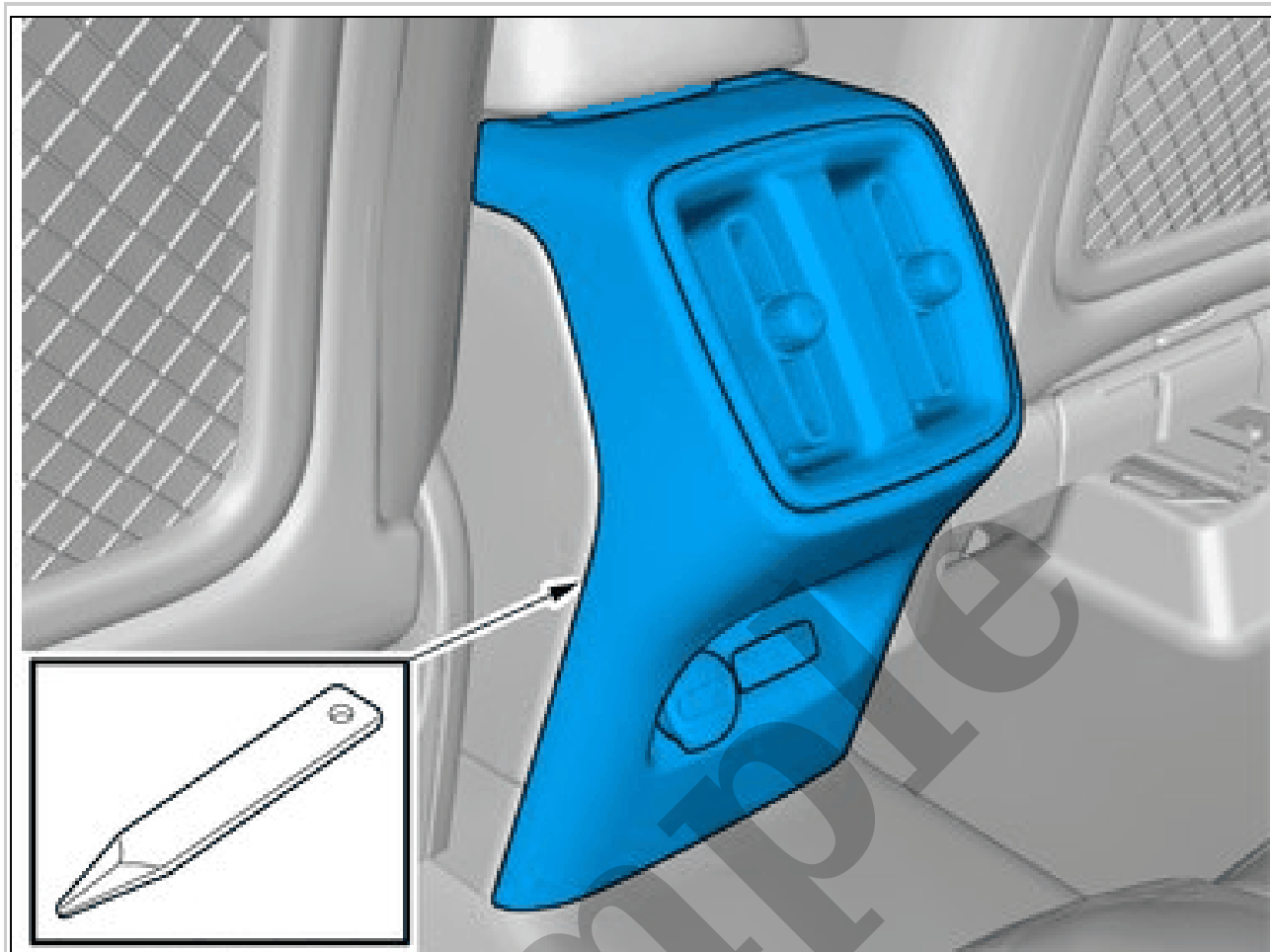
Special Tool: 951 2636 Terminal removal tool

Perform power window motor, initiation. Refer to: DOOR WINDOW MOTOR INITIALIZATION

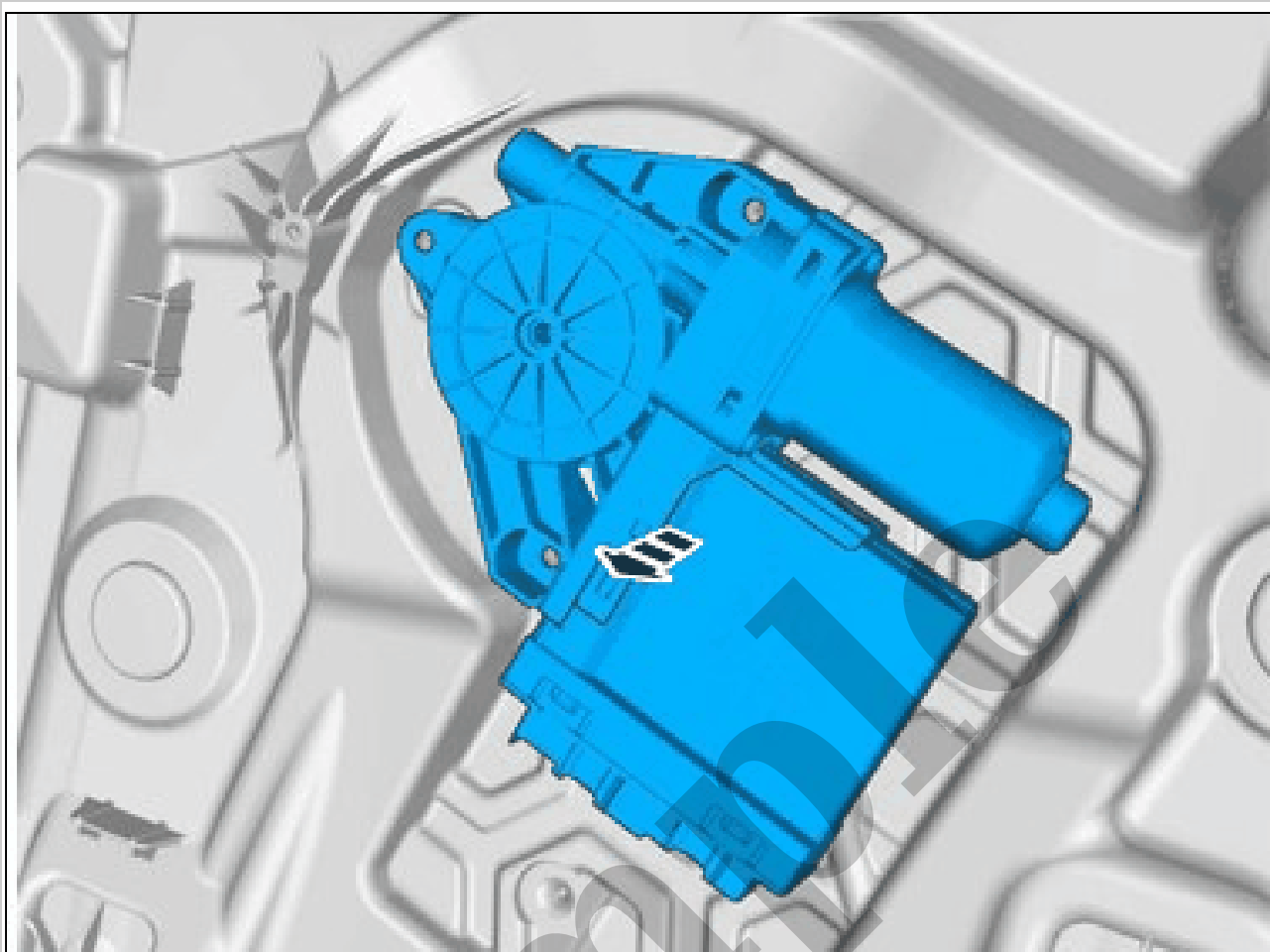
EXTRA POWER SOCKET 12V, LUGGAGE COMPARTMENT > EXTRA POWER SOCKET 12V, LUGGAGE COMPARTMENT [2018-2022] > REMOVAL



Courtesy of VOLVO CARS CORPORATION

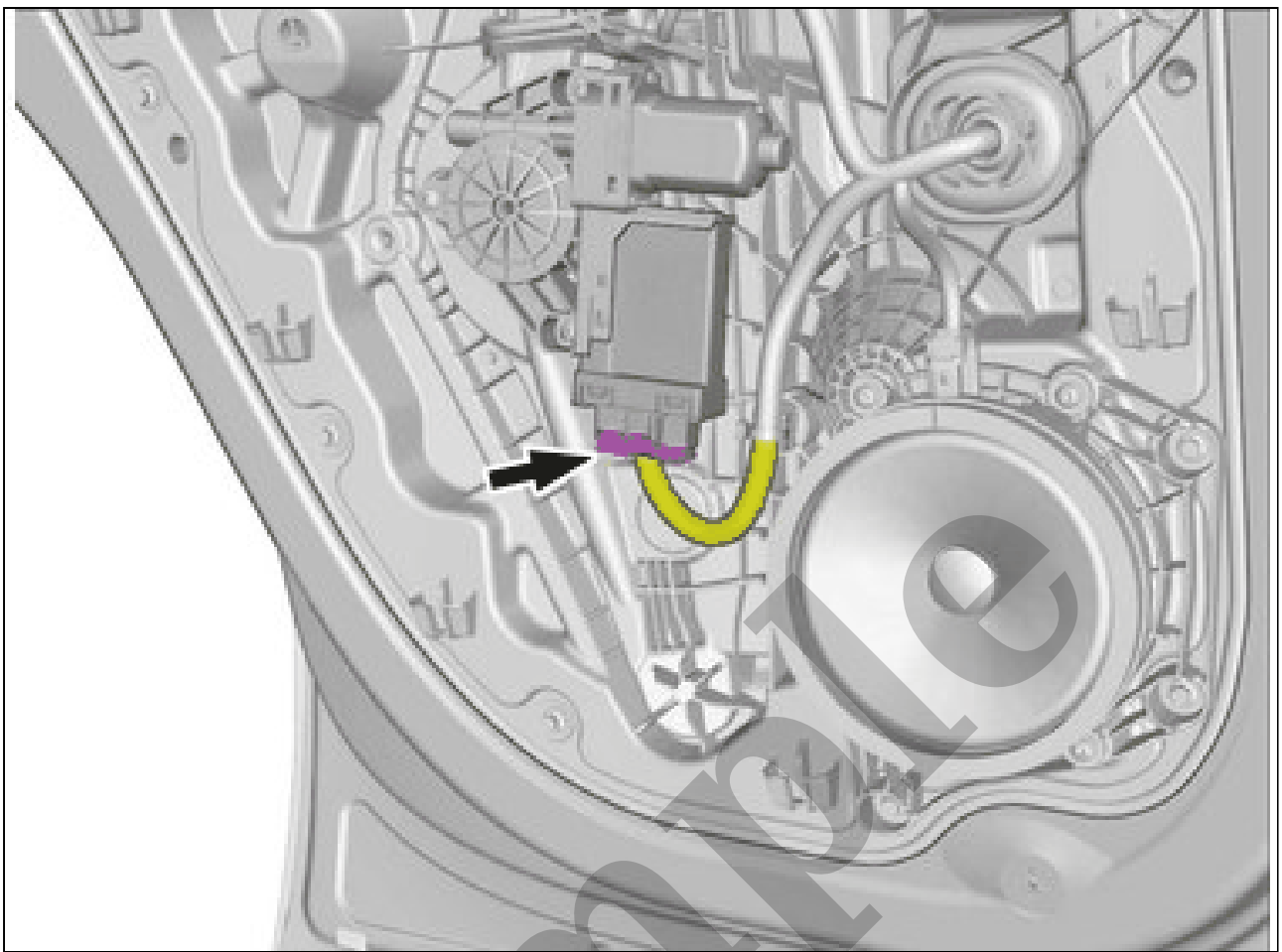


Courtesy of VOLVO CARS CORPORATION



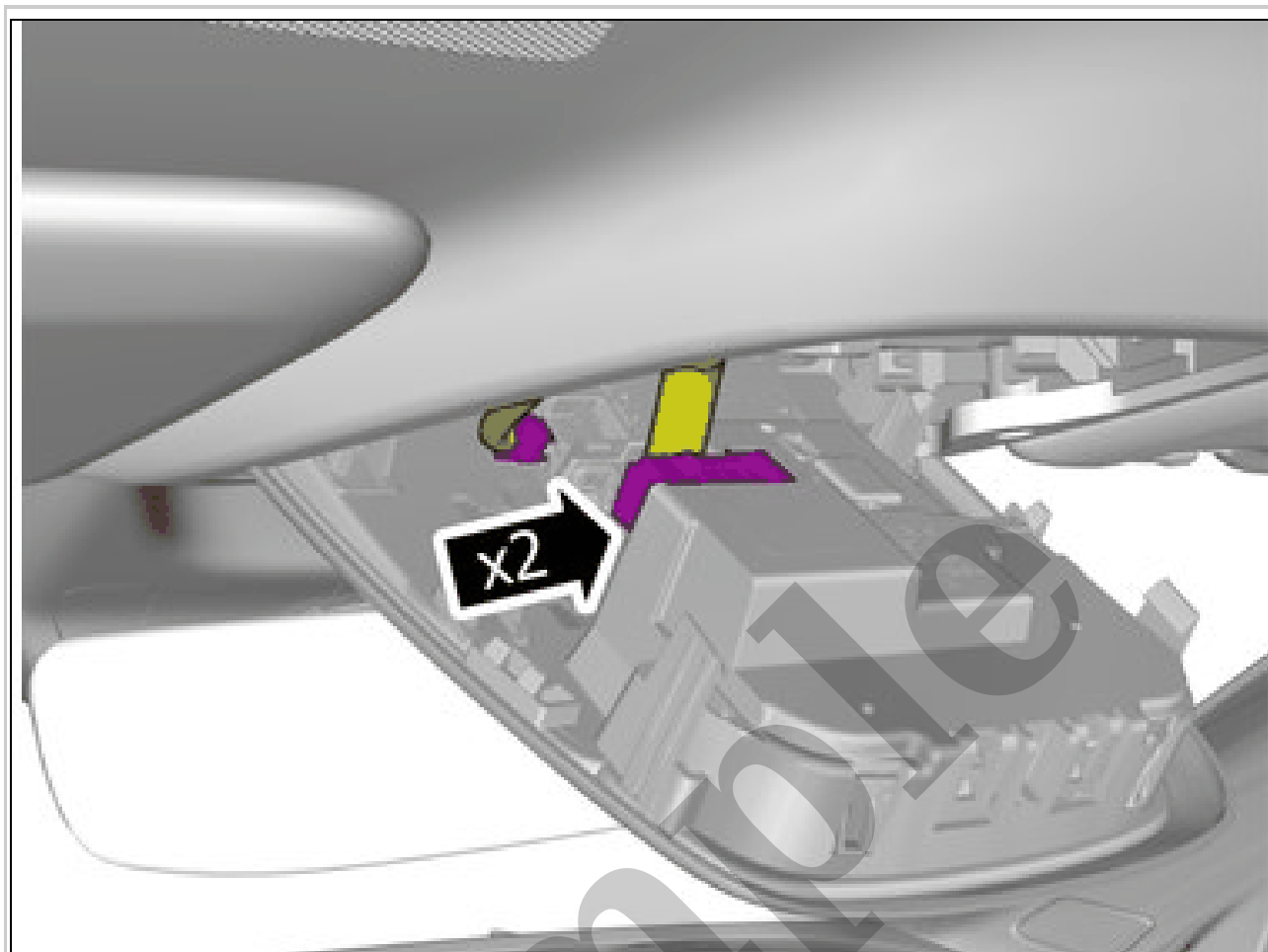
Courtesy of VOLVO CARS CORPORATION

Remove the marked part.



Courtesy of VOLVO CARS CORPORATION

Release the connector's catch.
Disconnect the connector.



Courtesy of VOLVO CARS CORPORATION

Disconnect the connectors.

ROTARY SWITCH, SUN ROOF > ROTARY SWITCH, SUN ROOF [2018-2022] > INSTALLATION

To install, reverse the removal procedure.

See information about electric motor/Sun Roof Module (SRM), calibration. Refer to: ELECTRIC MOTOR / SUN ROOF MODULE

START BUTTON > START BUTTON [2018-2019 | 2020-2022, B4204T18; B4204T47] > REMOVAL

Set the vehicle to Inactive mode, described in user mode. Refer to: USAGE MODE

Detach floor bracket. Refer to: FLOOR CONSOLE