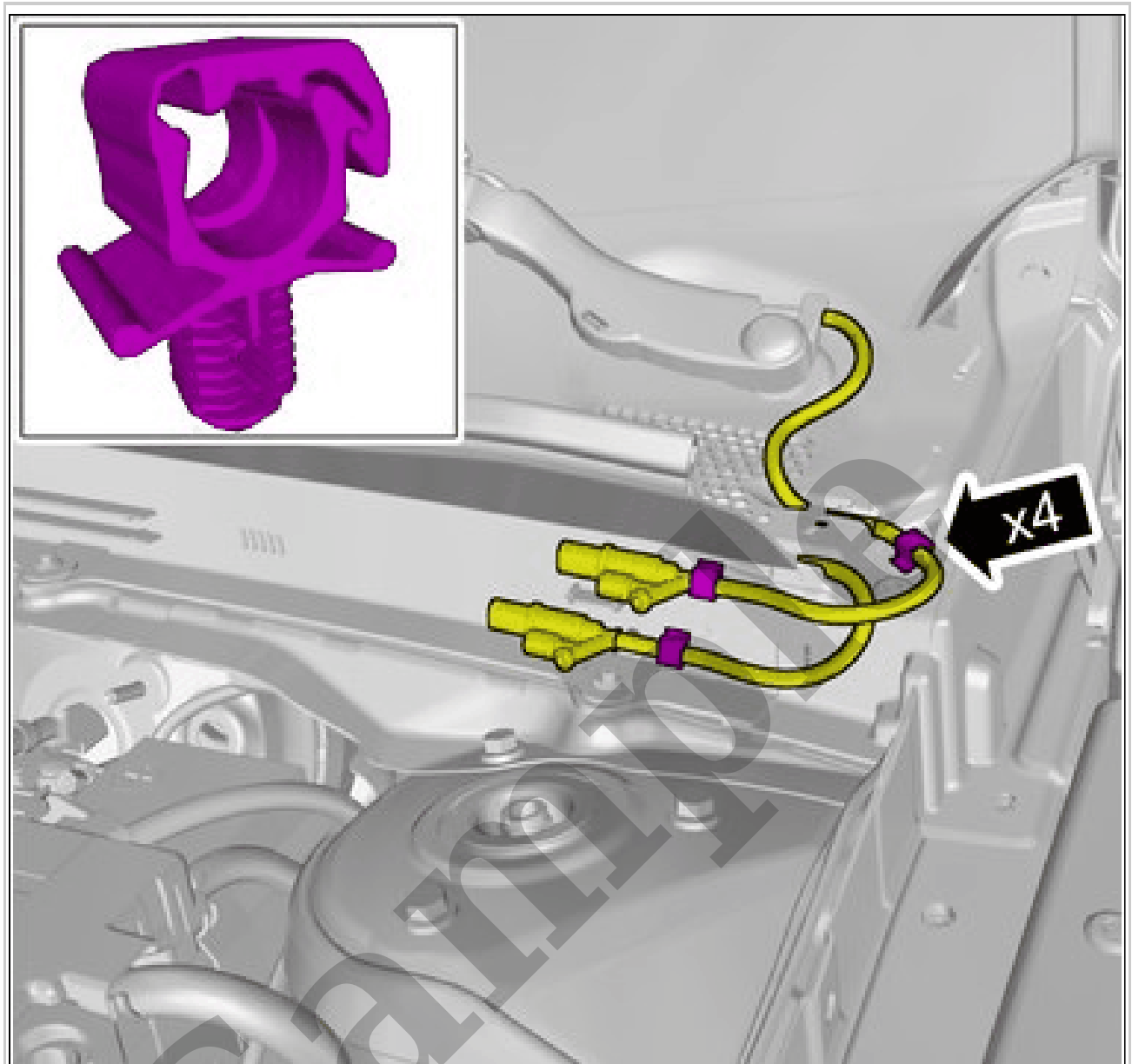


Your Ultimate Source for OEM Repair Manuals

FactoryManuals.net is a great resource for anyone who wants to save money on repairs by doing their own work. The manuals provide detailed instructions and diagrams that make it easy to understand how to fix a vehicle.

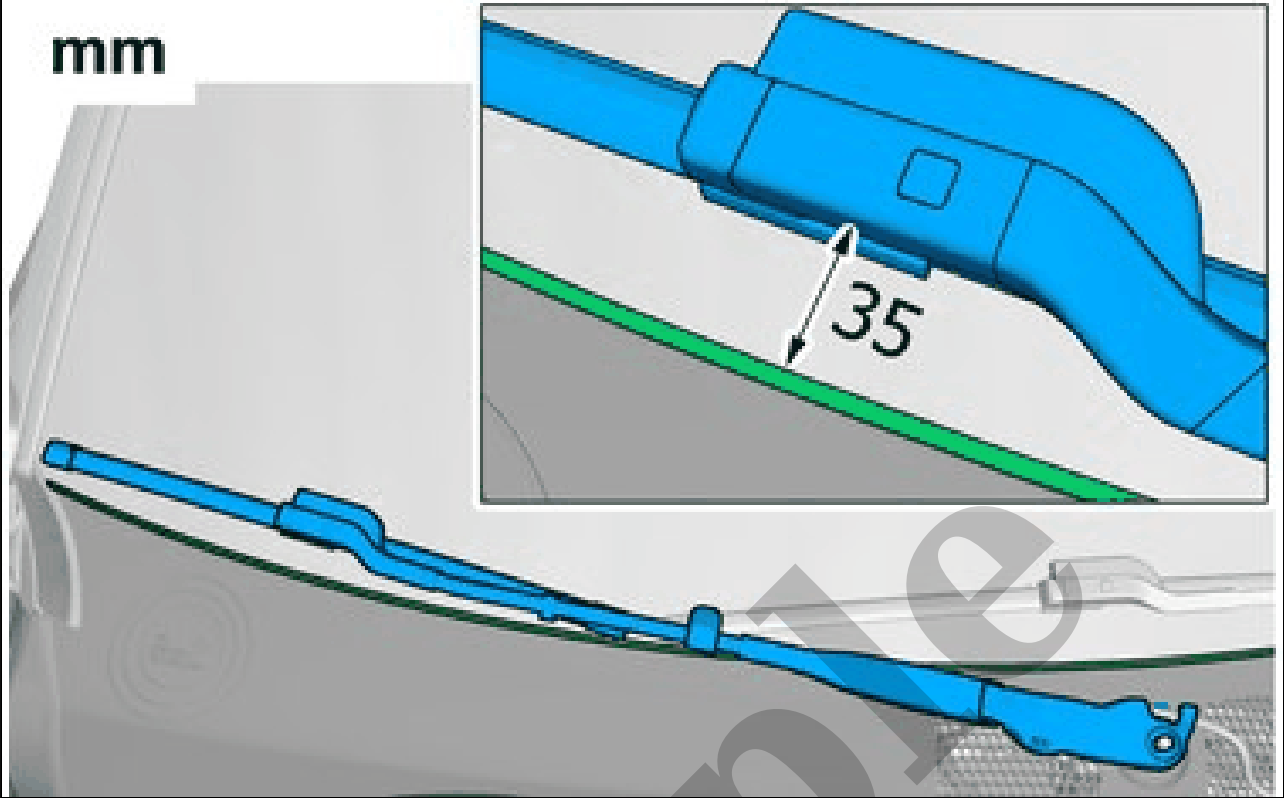
1990 VOLVO 780 OEM Service and Repair Workshop Manual

[Go to manual page](#)



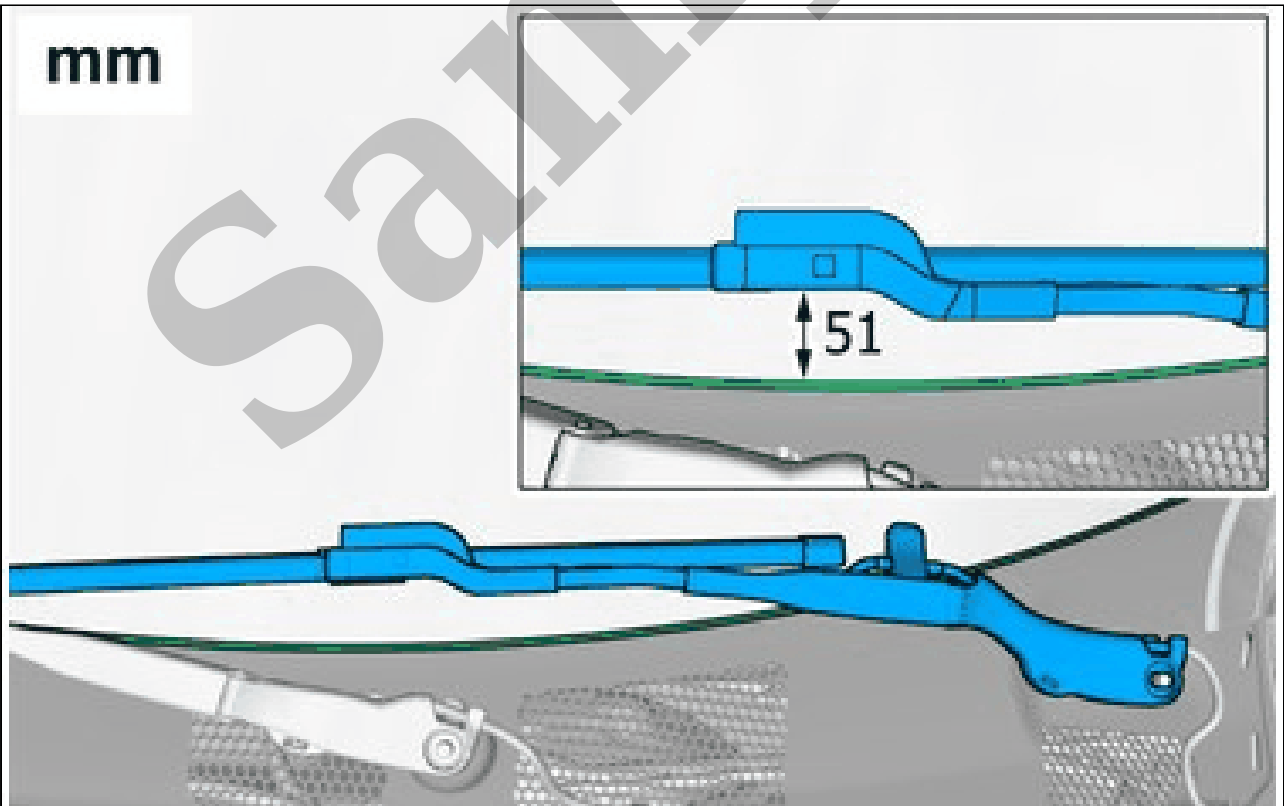
Courtesy of VOLVO CARS CORPORATION

mm



Courtesy of VOLVO CARS CORPORATION

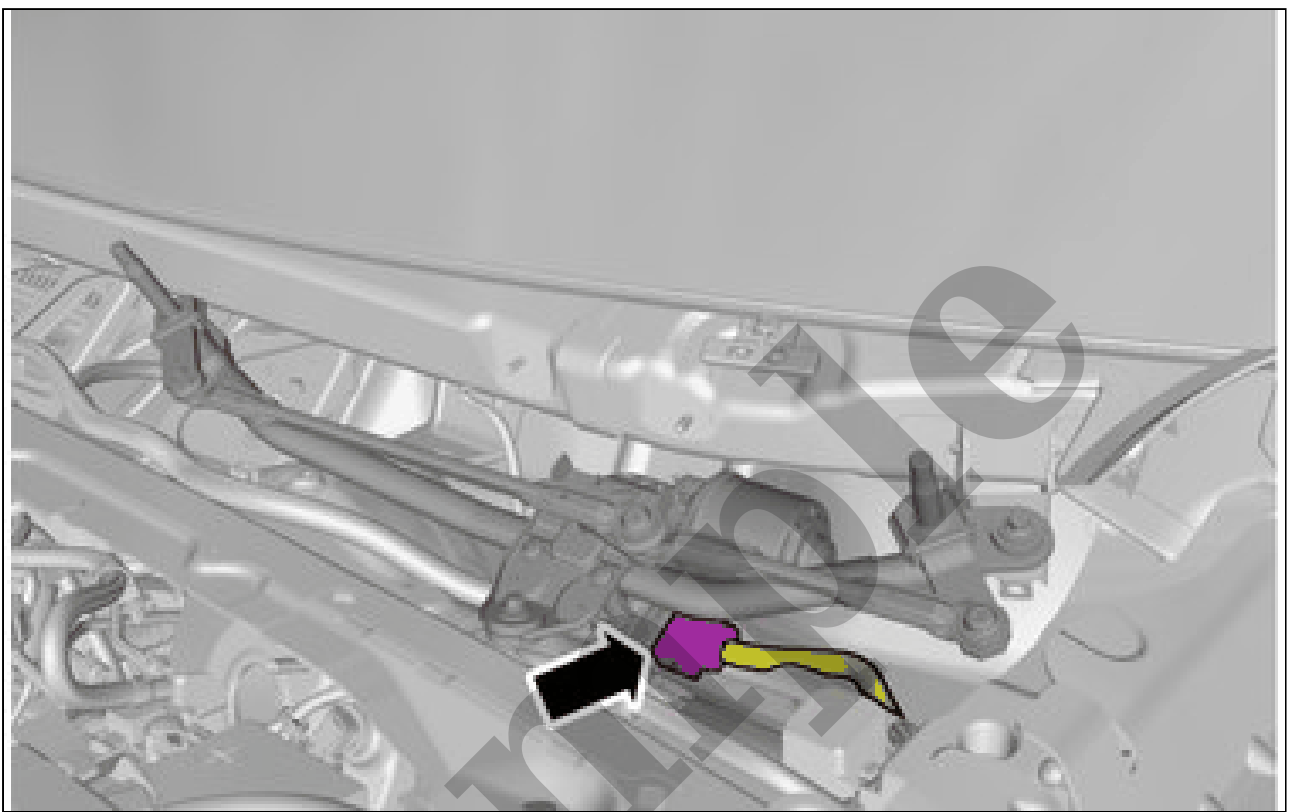
mm



Courtesy of VOLVO CARS CORPORATION

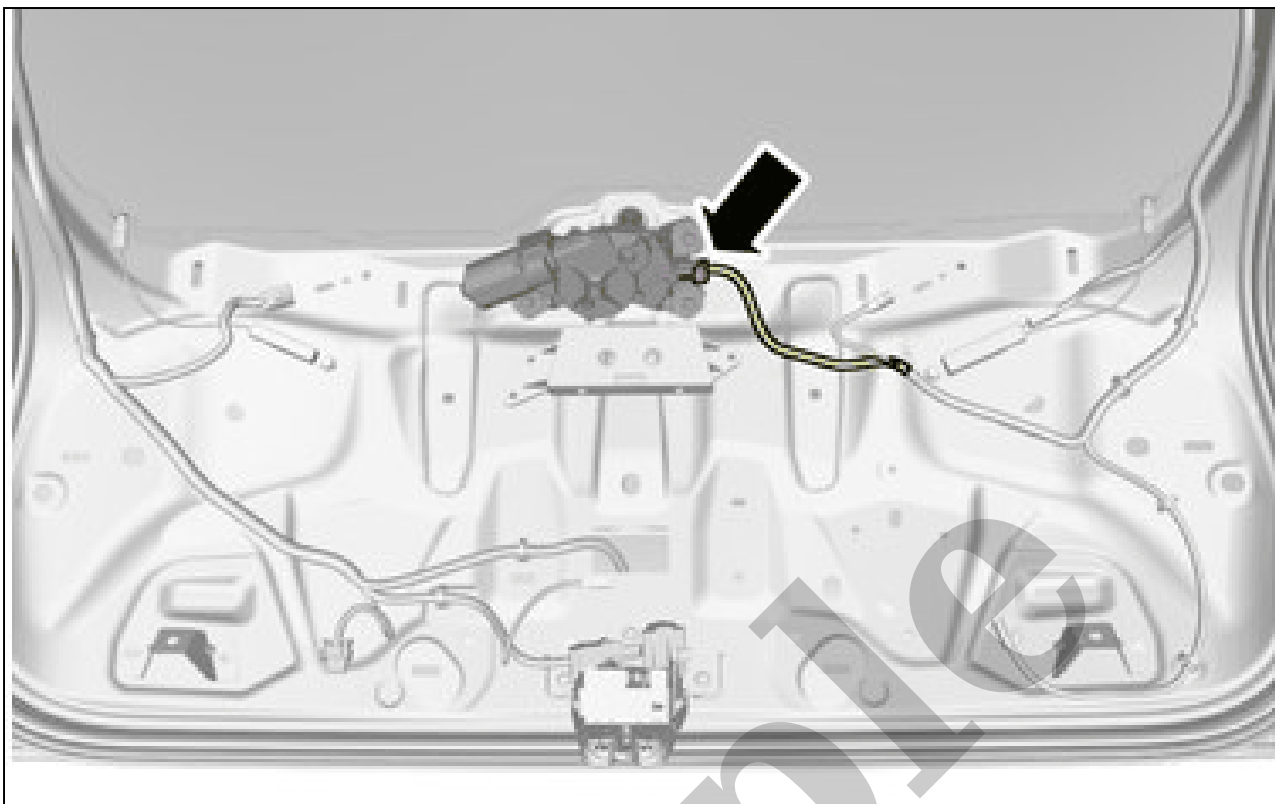
NOTE: Removal steps in this procedure may contain installation details.

Remove the plenum cover. Refer to: PLENUM COVER



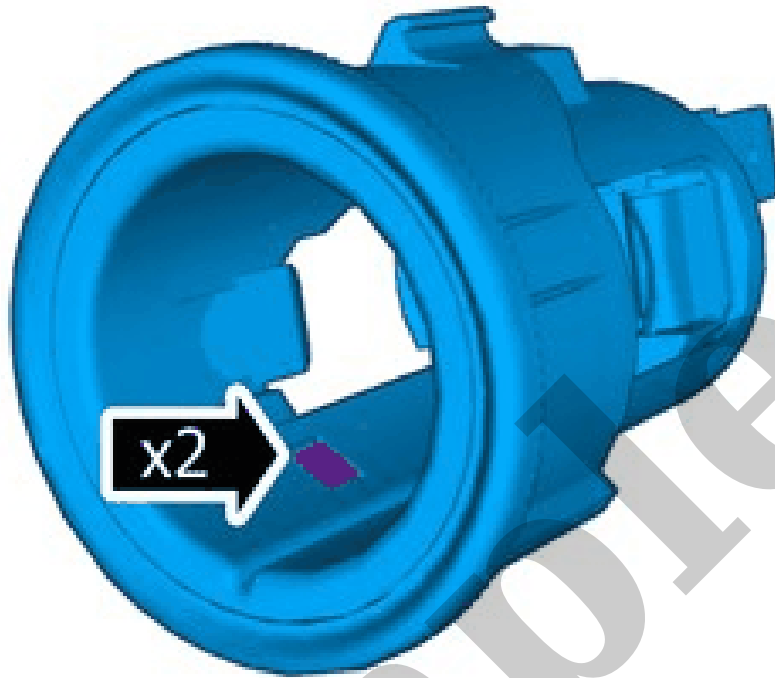
Courtesy of VOLVO CARS CORPORATION

Disconnect the connector.

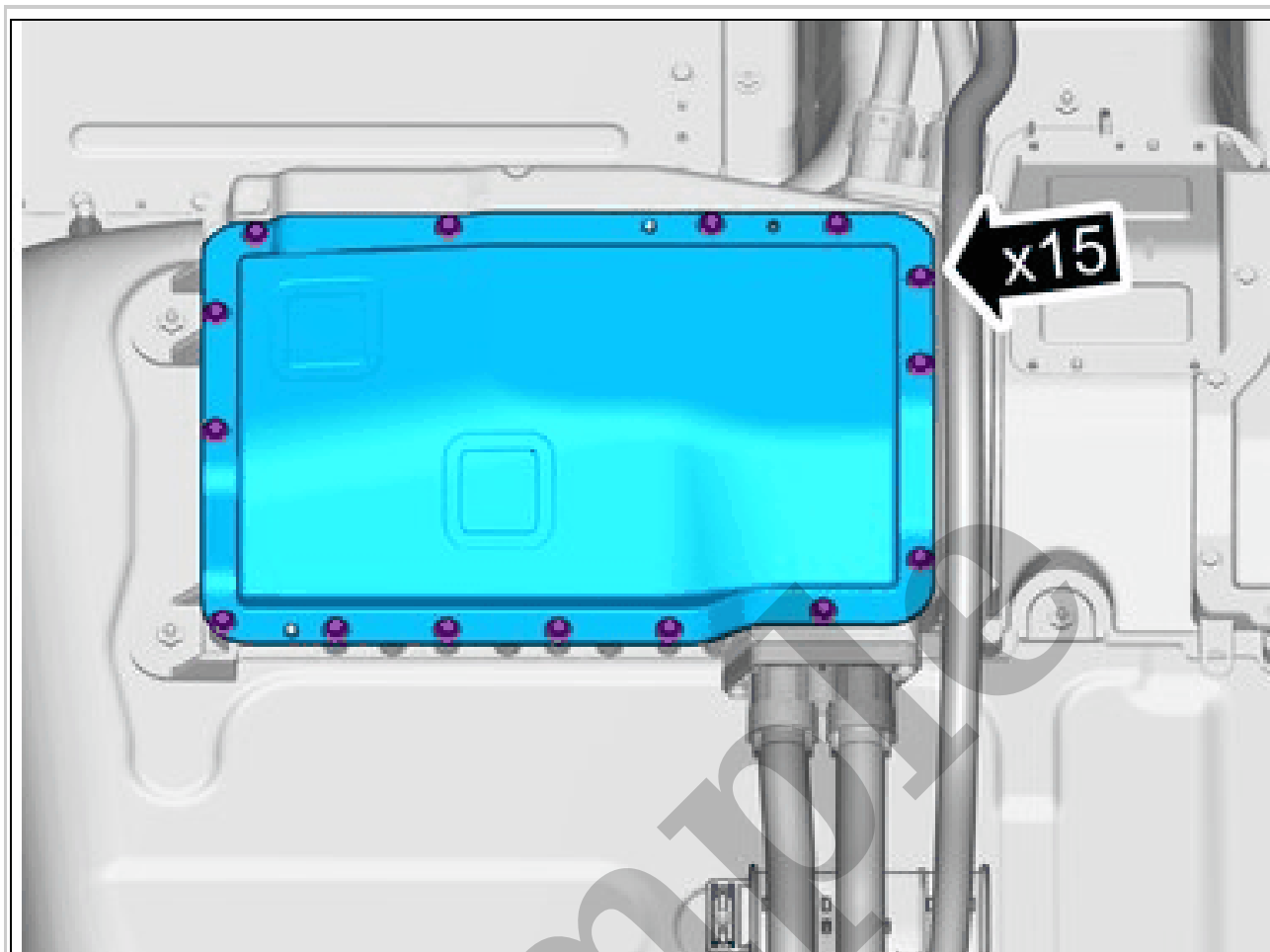


Courtesy of VOLVO CARS CORPORATION

Disconnect the connector.

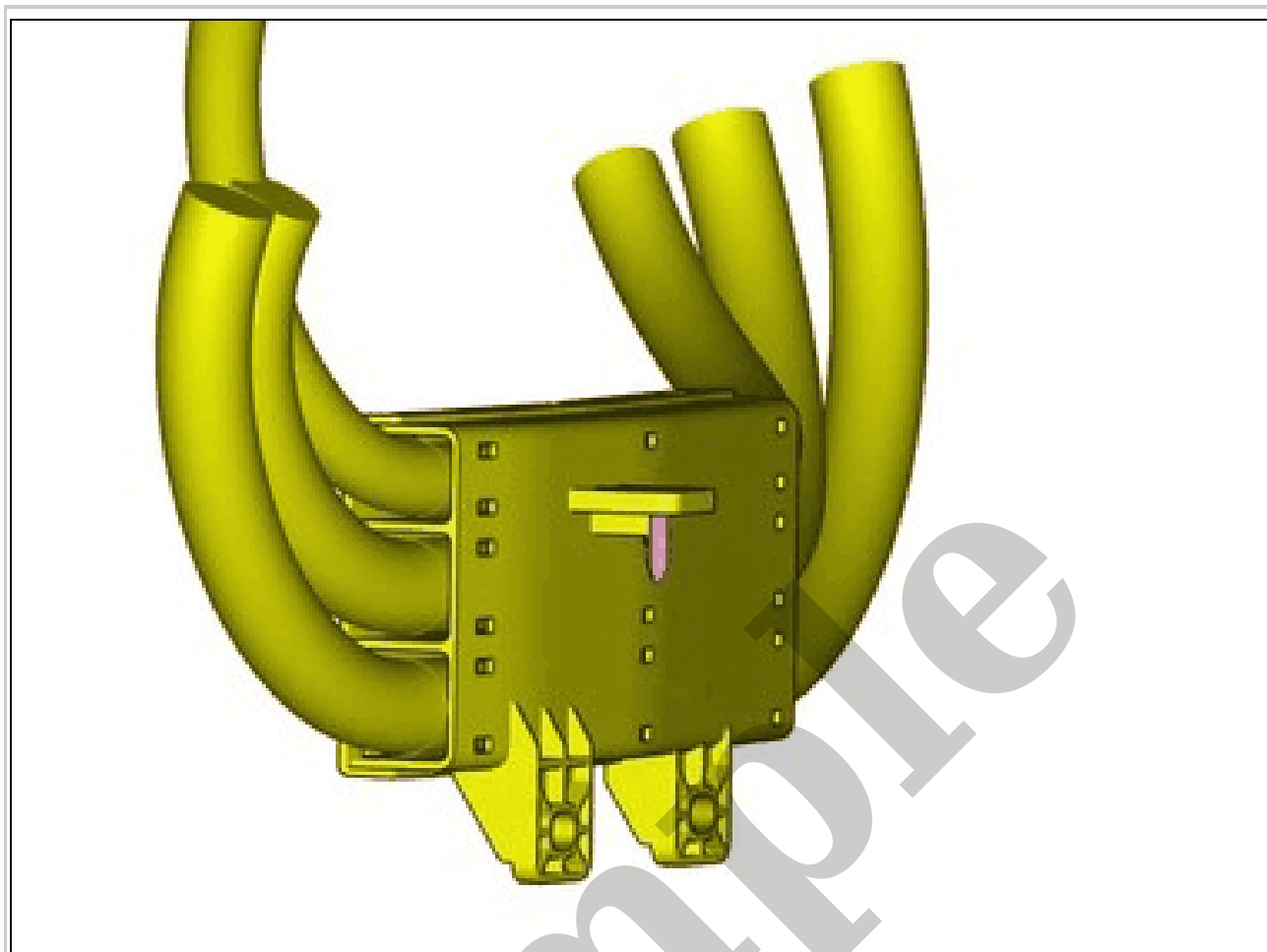


Courtesy of VOLVO CARS CORPORATION



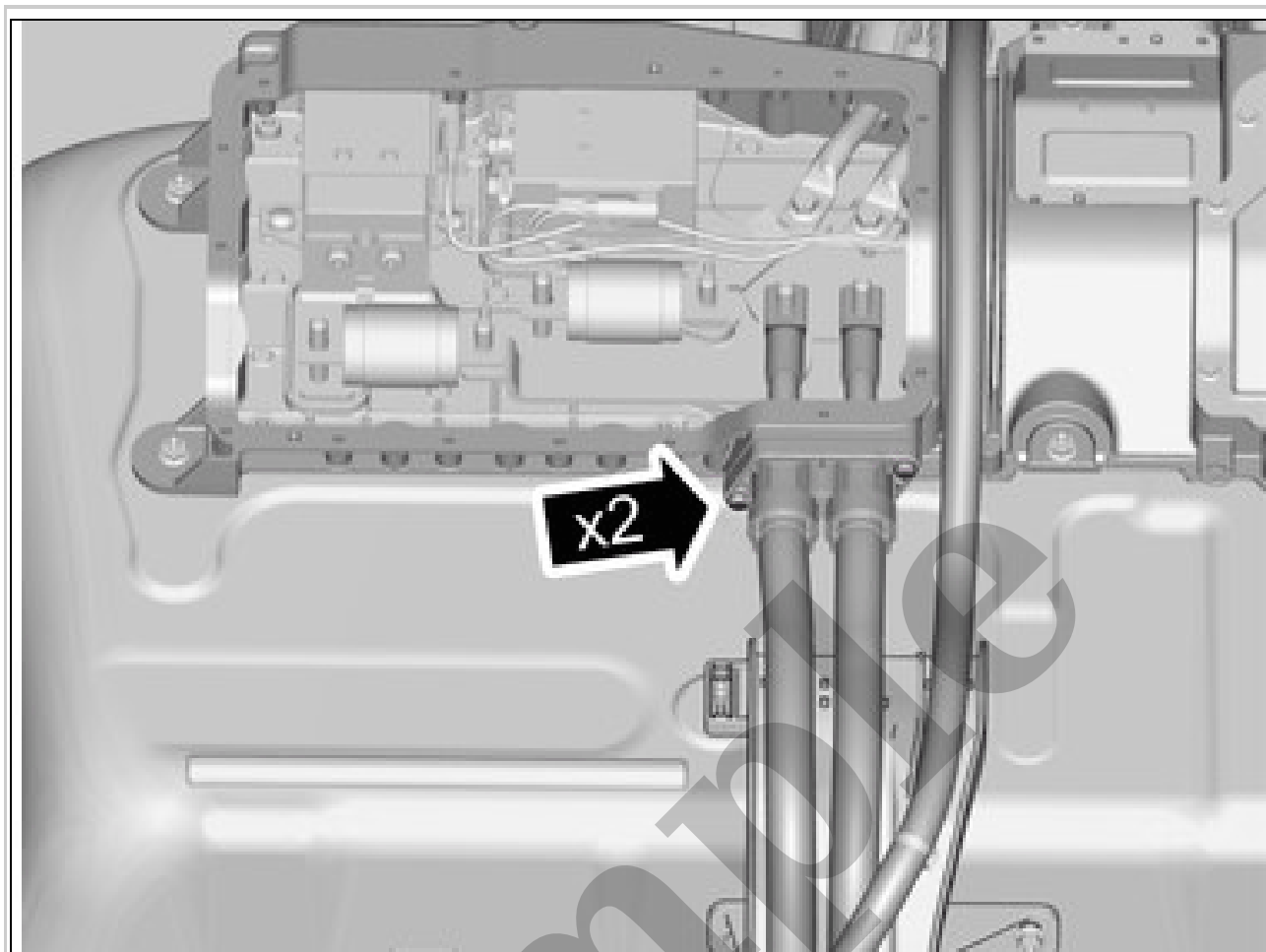
Courtesy of VOLVO CARS CORPORATION

Remove the screws.
Remove the marked part.



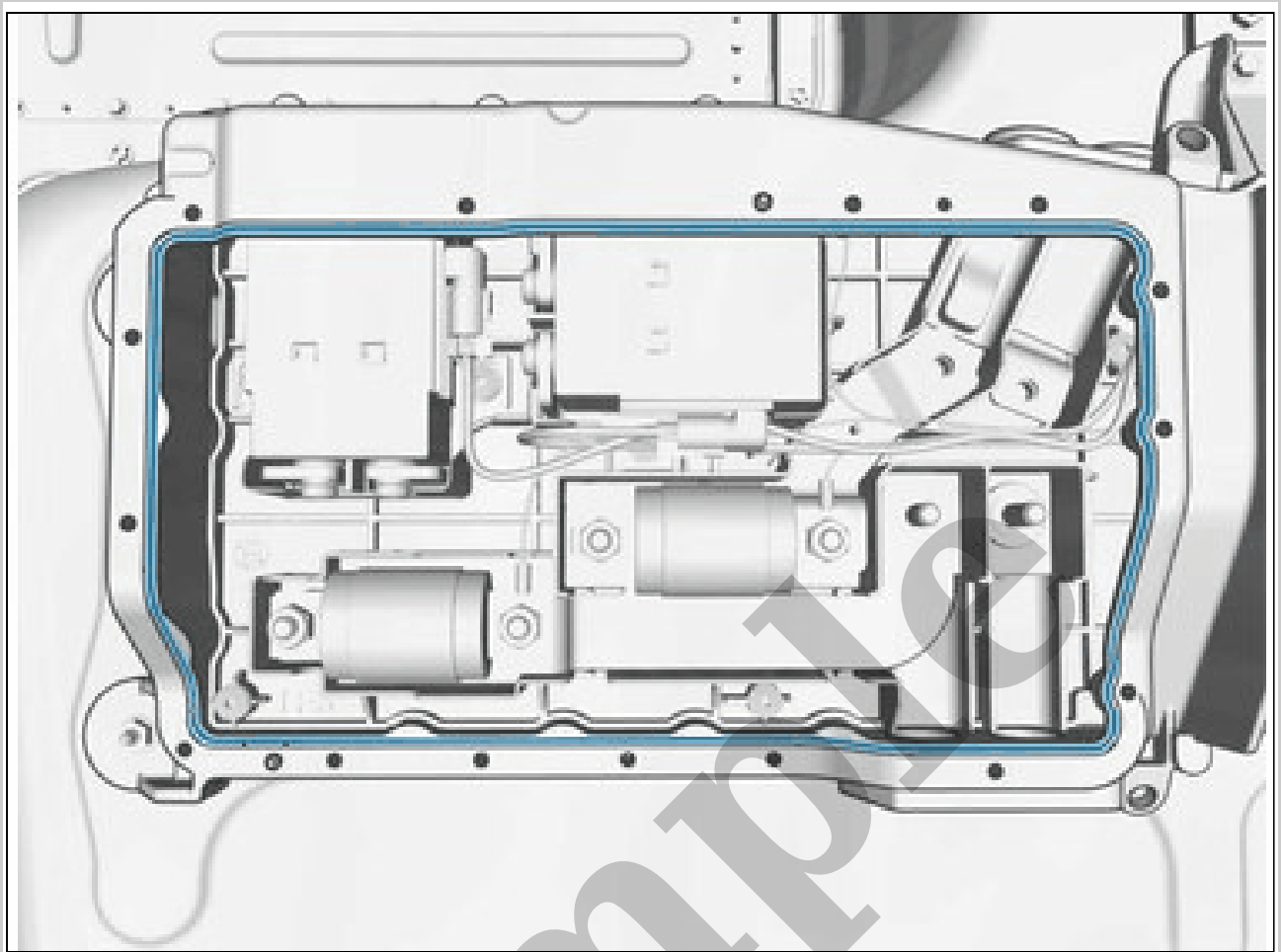
Courtesy of VOLVO CARS CORPORATION

NOTE: *The graphic shows the back of the component before removal.*



Courtesy of VOLVO CARS CORPORATION

Install the screws.
Torque: M5, 5Nm



Courtesy of VOLVO CARS CORPORATION

Remove the marked part.