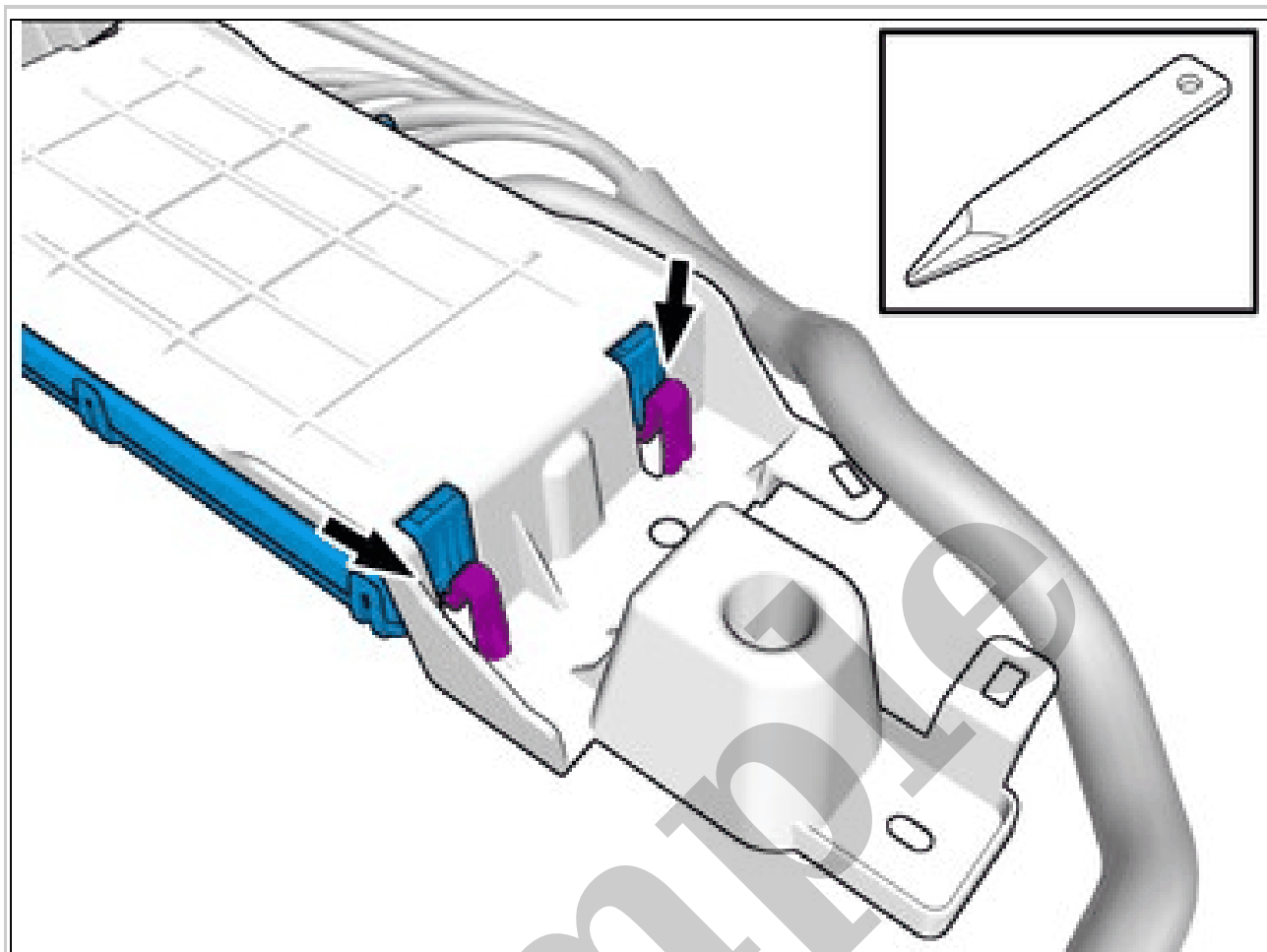


# Your Ultimate Source for OEM Repair Manuals

FactoryManuals.net is a great resource for anyone who wants to save money on repairs by doing their own work. The manuals provide detailed instructions and diagrams that make it easy to understand how to fix a vehicle.

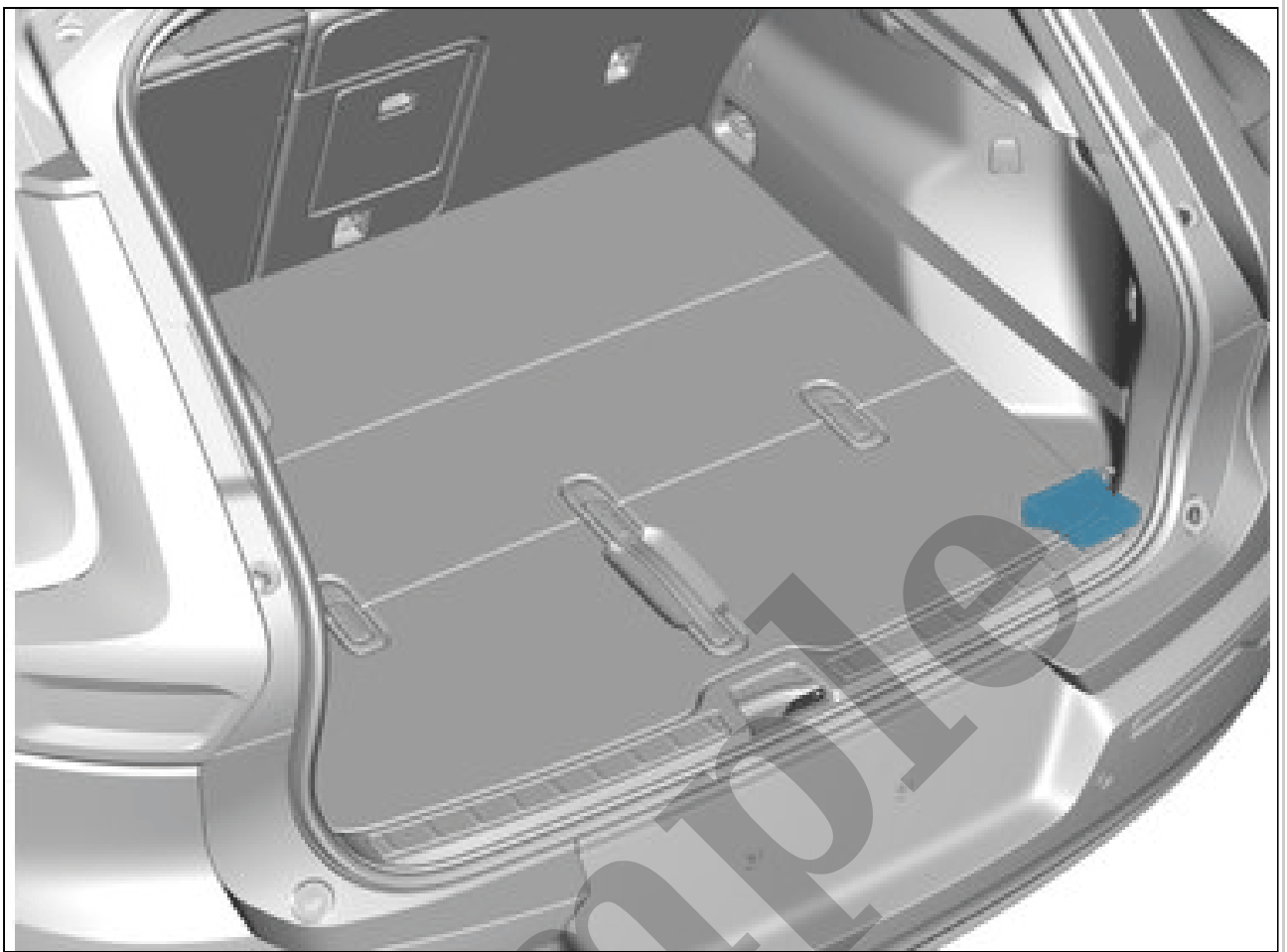
## 1990 VOLVO 760 Estate OEM Service and Repair Workshop Manual

[Go to manual page](#)



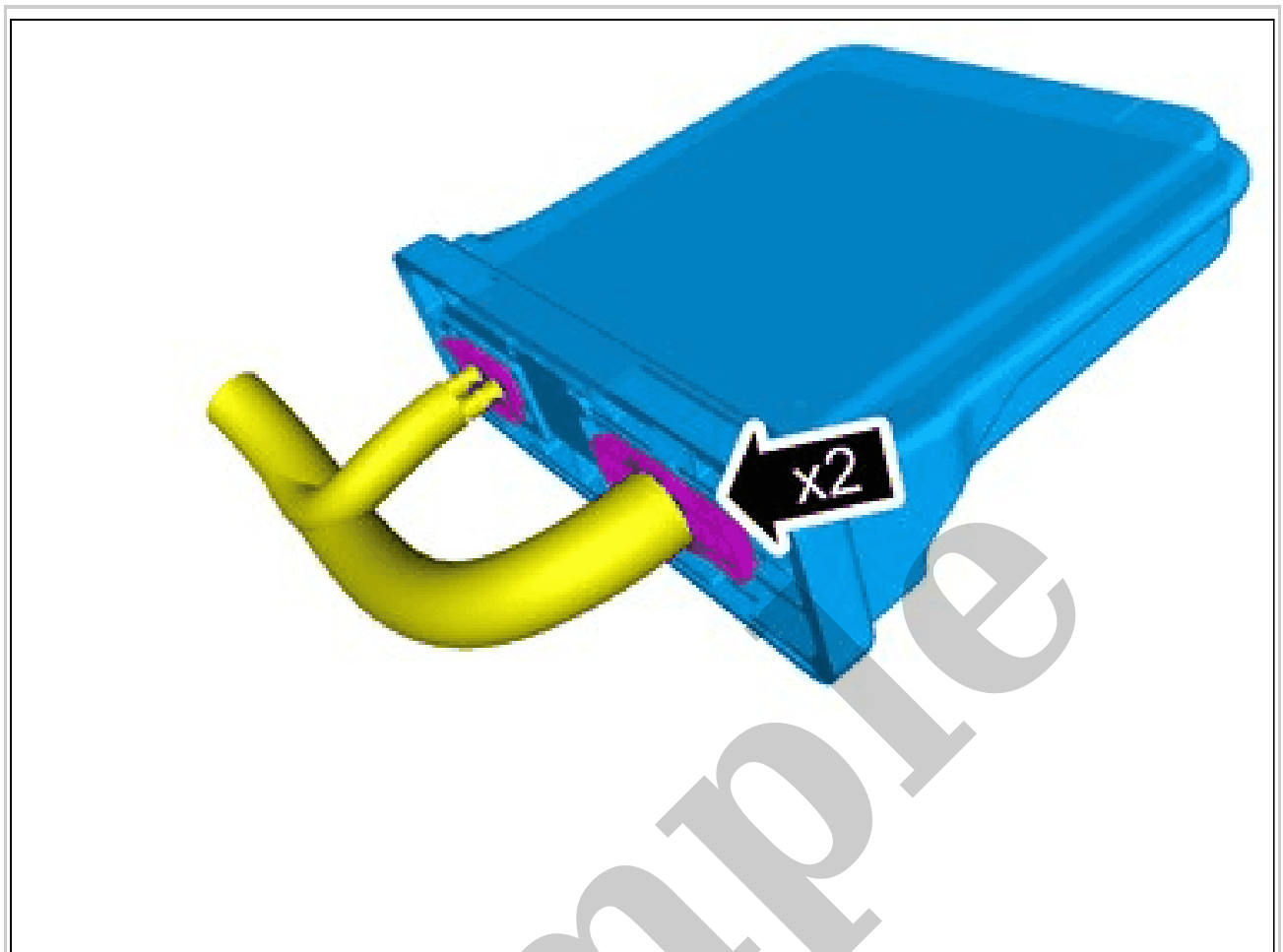
Courtesy of VOLVO CARS CORPORATION

Loosen the marked detail/details.



Courtesy of VOLVO CARS CORPORATION

**NOTE:** *Orientation view*



Courtesy of VOLVO CARS CORPORATION

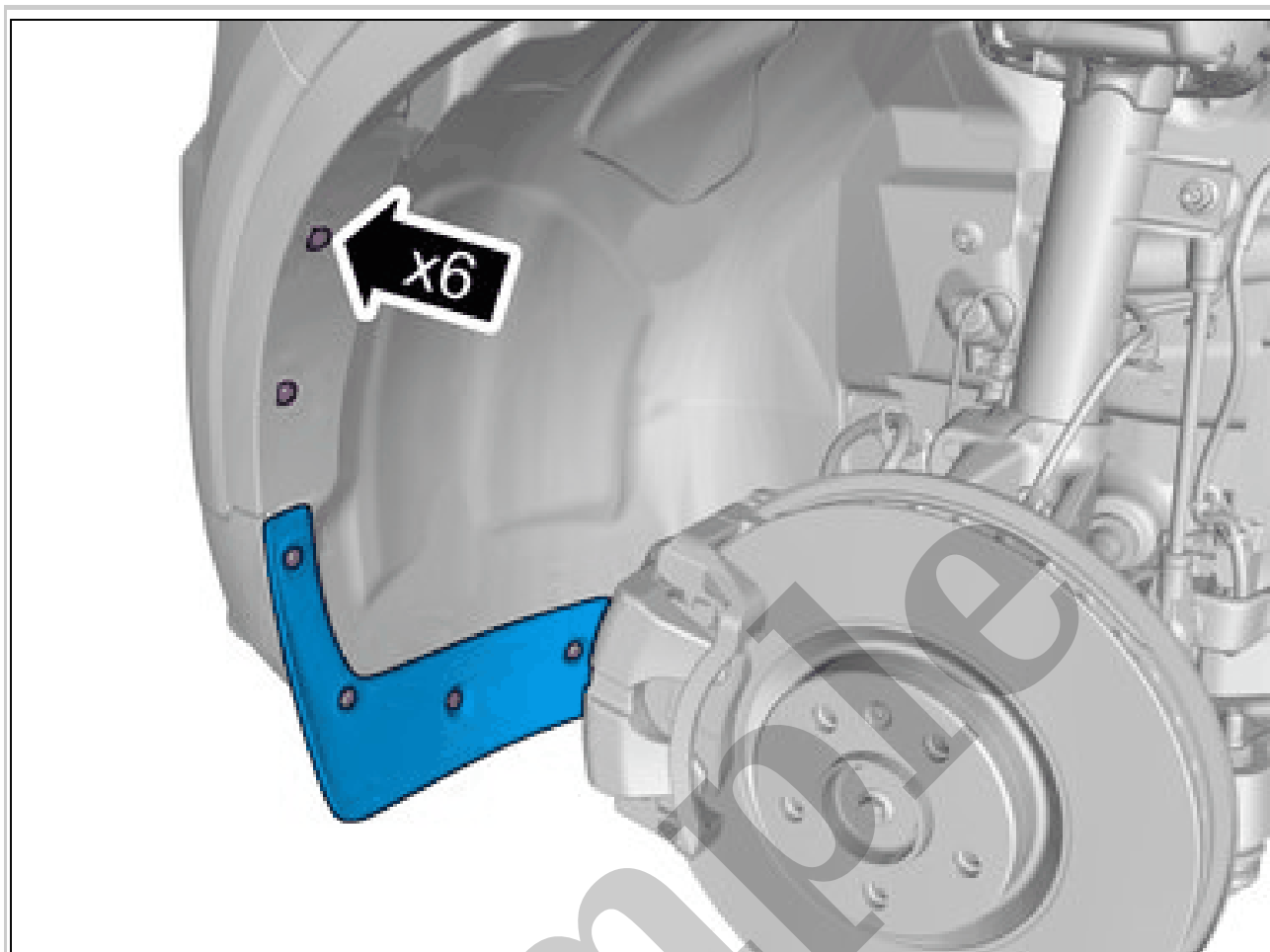
Disconnect the connectors.

## VEHICLE GATEWAY MODULE > VEHICLE GATEWAY MODULE (VGM) [2021-2022, E400V6] > INSTALLATION

To install, reverse the removal procedure.

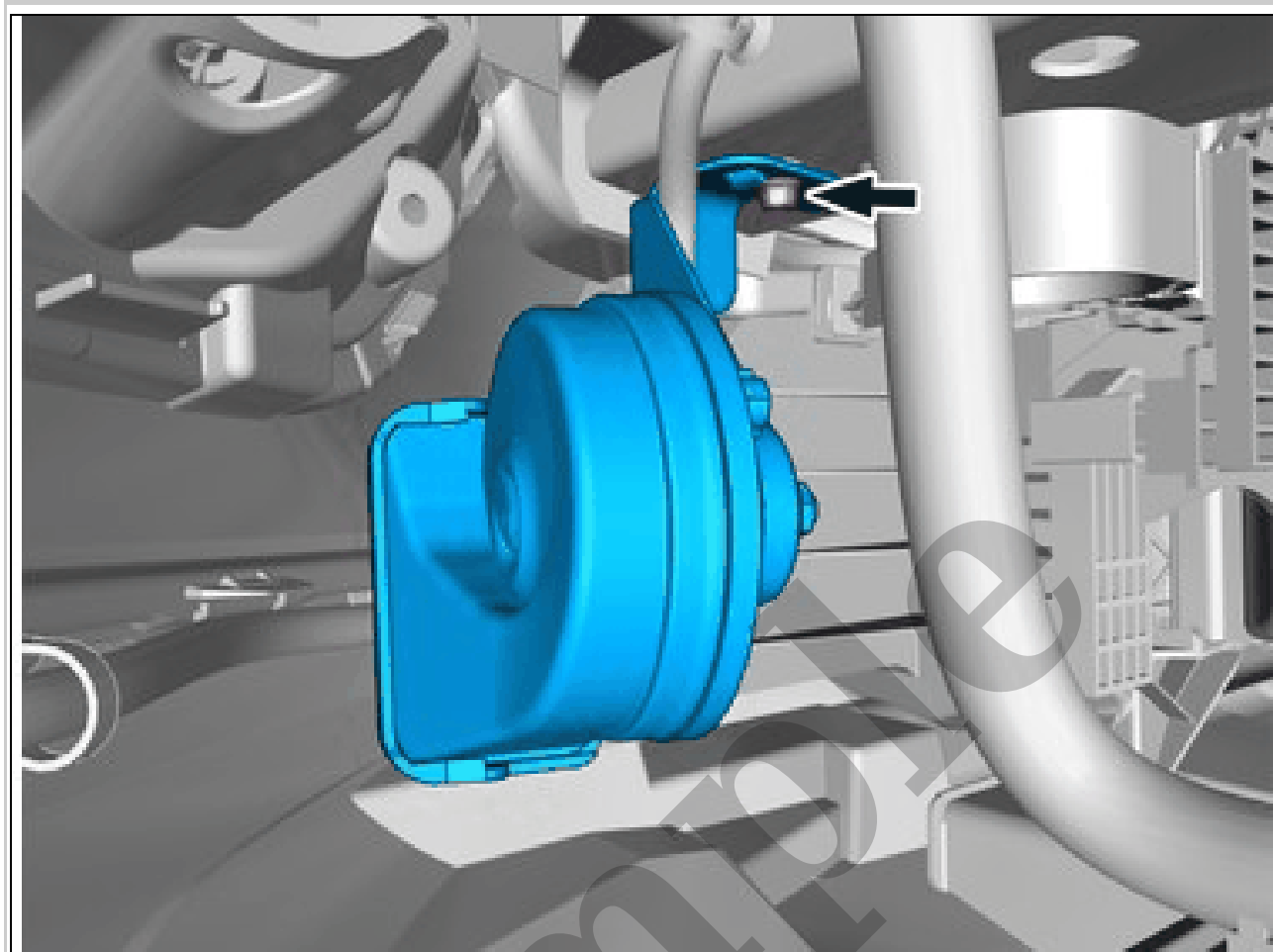
**NOTE:** *This step is only necessary when installing a new component.*

Order and download the appropriate software according to VIDA/SOFTWARE.



Courtesy of VOLVO CARS CORPORATION

Remove the screws.  
Remove the marked part.



Courtesy of VOLVO CARS CORPORATION

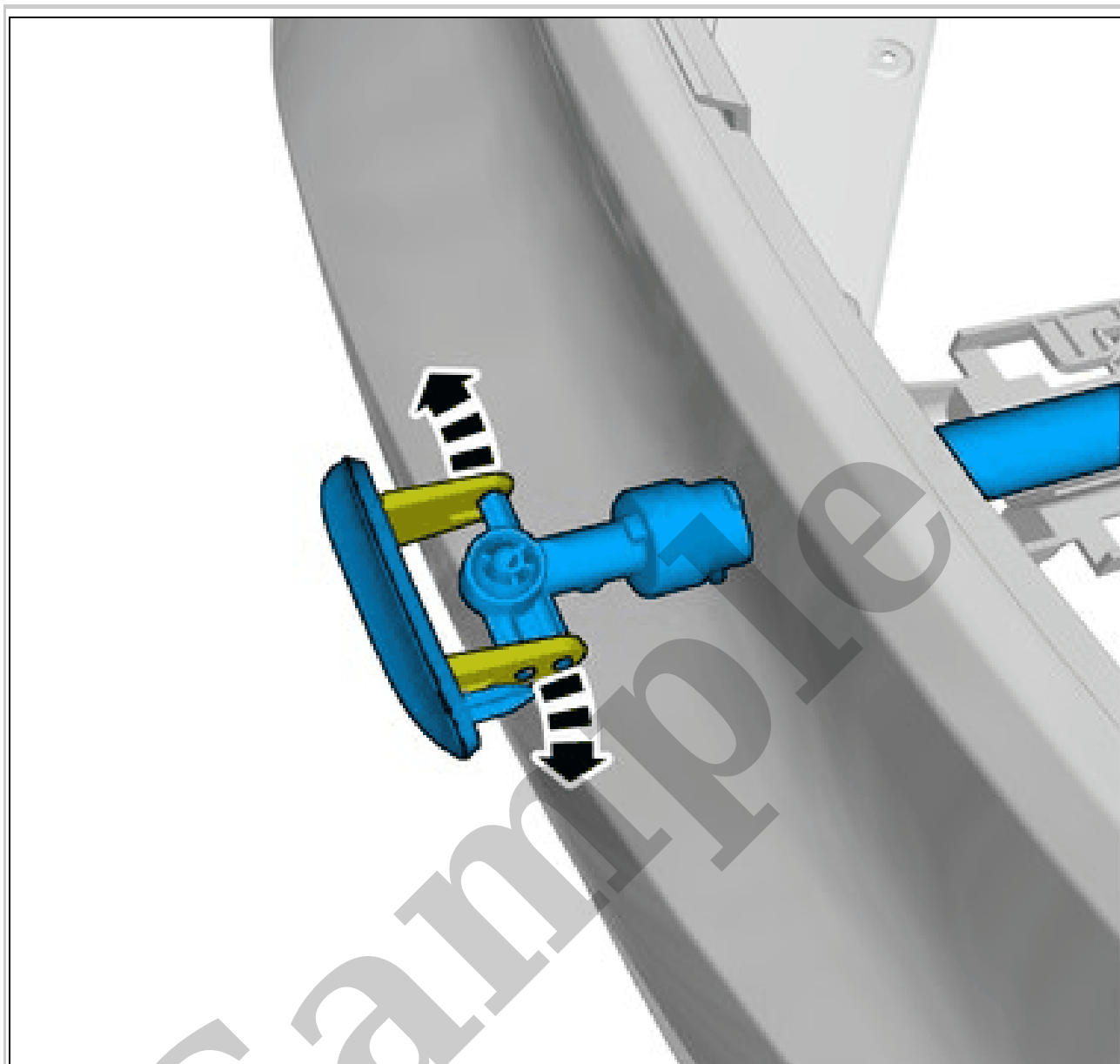
Remove the screw.

Remove the marked part.

**Torque:** M6, 10Nm

**APPLIES TO THE RIGHT-HAND SIDE**

Remove casing bumper front. Refer to: COVER BUMPER FRONT



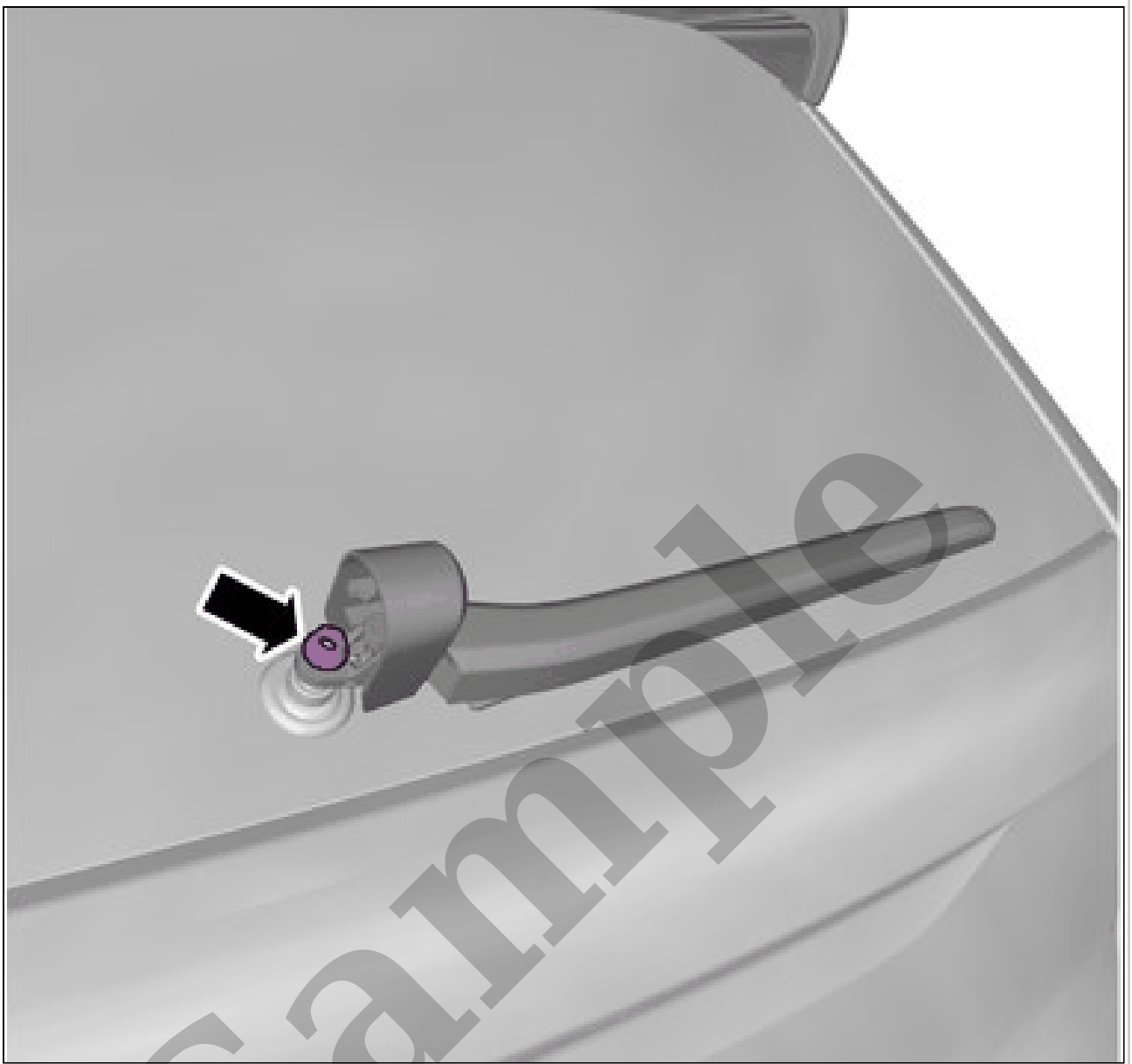
Courtesy of VOLVO CARS CORPORATION

Remove the marked part.

## **HEADLIGHT WASHERS > HEADLIGHT WASHERS [2018-2022] > INSTALLATION**

To install, reverse the removal procedure.

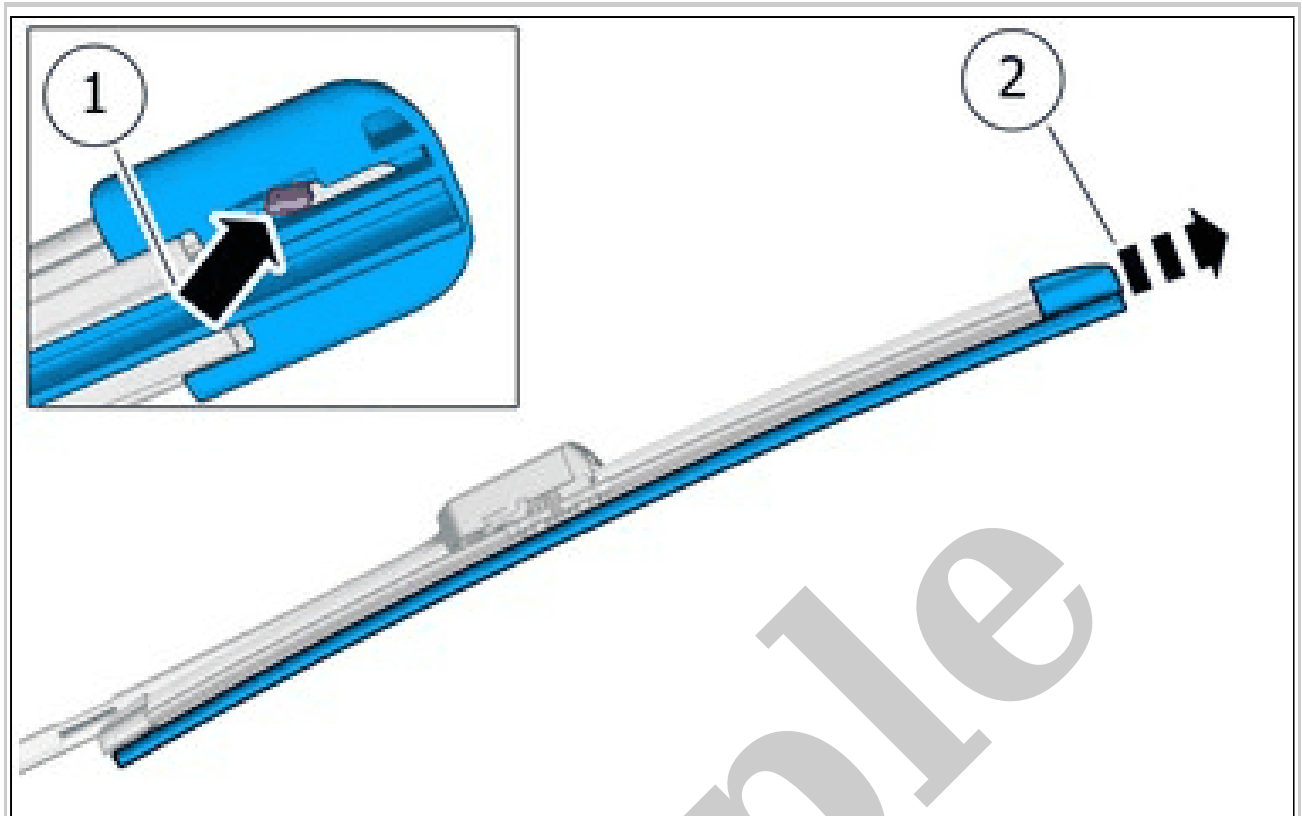
## **NOZZLE REAR WINDOW WASHER > NOZZLE REAR WINDOW WASHER [2018-2022] > REMOVAL**



Courtesy of VOLVO CARS CORPORATION

**Torque:** Rear window wiper arm, 11Nm





Courtesy of VOLVO CARS CORPORATION

1. Release the lock.
2. Remove the marked part.

## **REFILL RUBBER, WIPER BLADE > REFILL RUBBER, WIPER BLADE [2018-2022] > INSTALLATION**

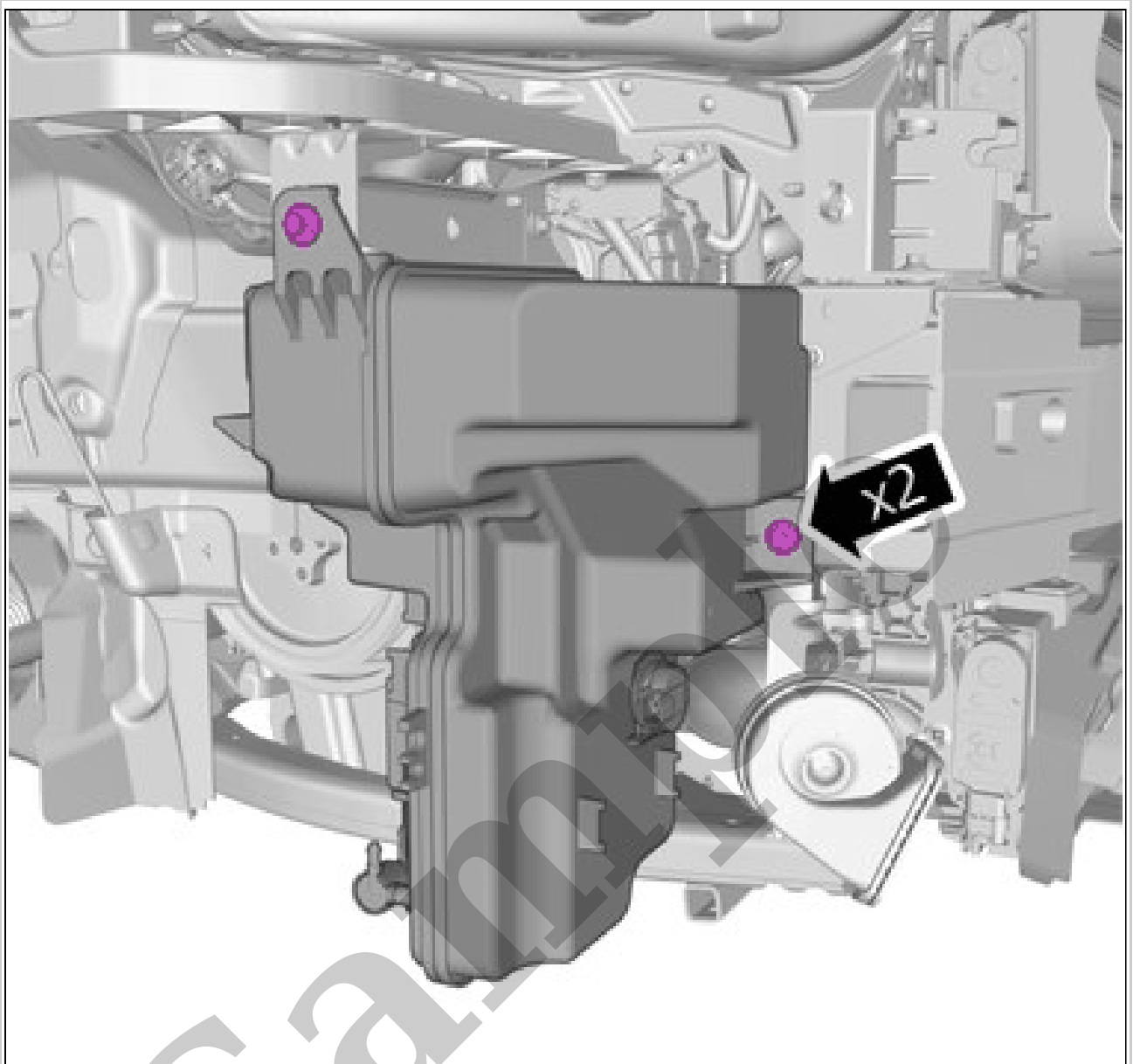
To install, reverse the removal procedure.

## **WASHER FLUID RESERVOIR > WASHER FLUID RESERVOIR [2018-2022] > REMOVAL AND INSTALLATION**

### **REMOVAL**

**NOTE:** *Removal steps in this procedure may contain installation details.*

Remove casing bumper front. Refer to: COVER BUMPER FRONT



Courtesy of VOLVO CARS CORPORATION

**Torque:** M6, 10Nm  
Remove the screws.