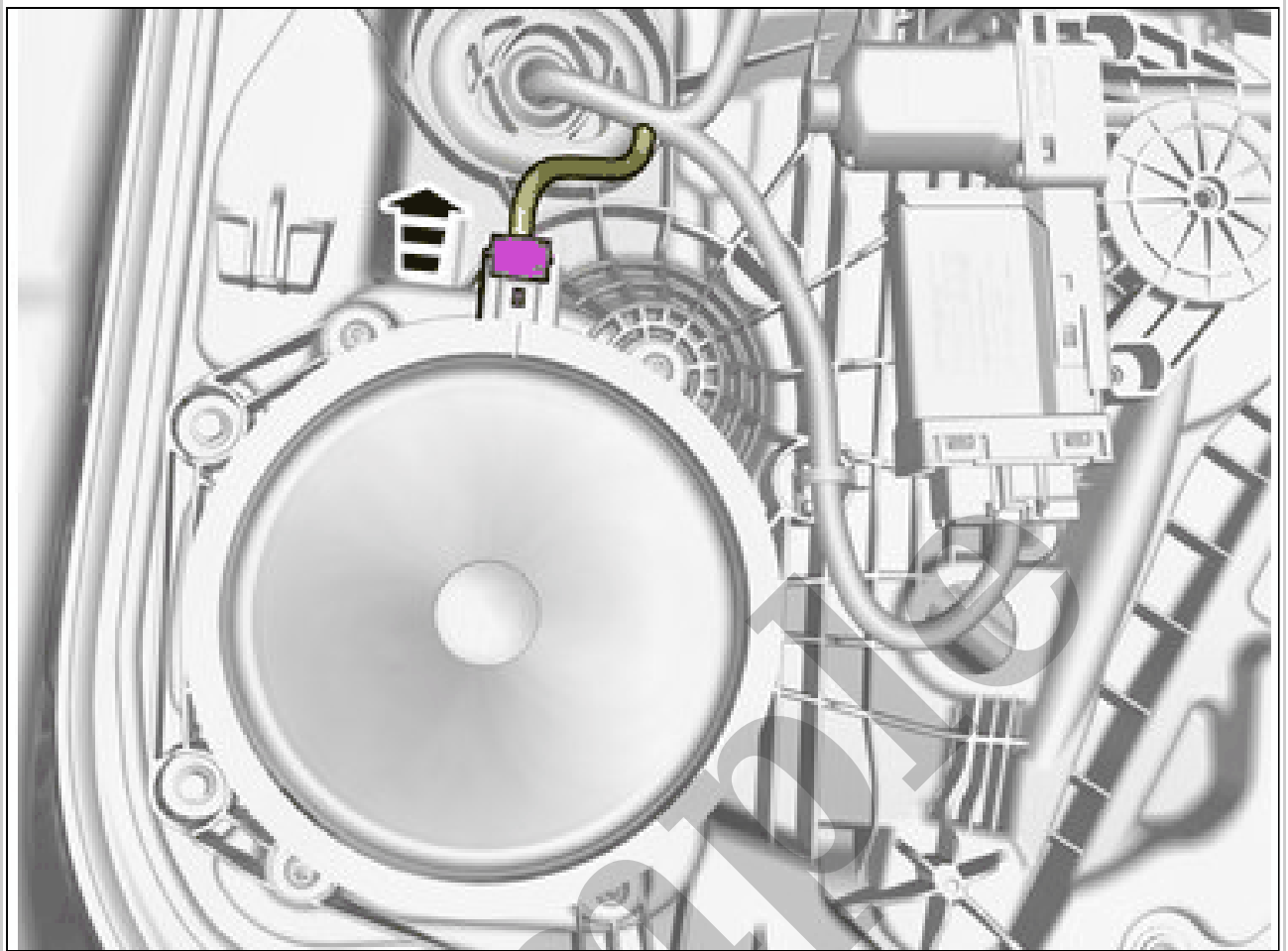


Your Ultimate Source for OEM Repair Manuals

FactoryManuals.net is a great resource for anyone who wants to save money on repairs by doing their own work. The manuals provide detailed instructions and diagrams that make it easy to understand how to fix a vehicle.

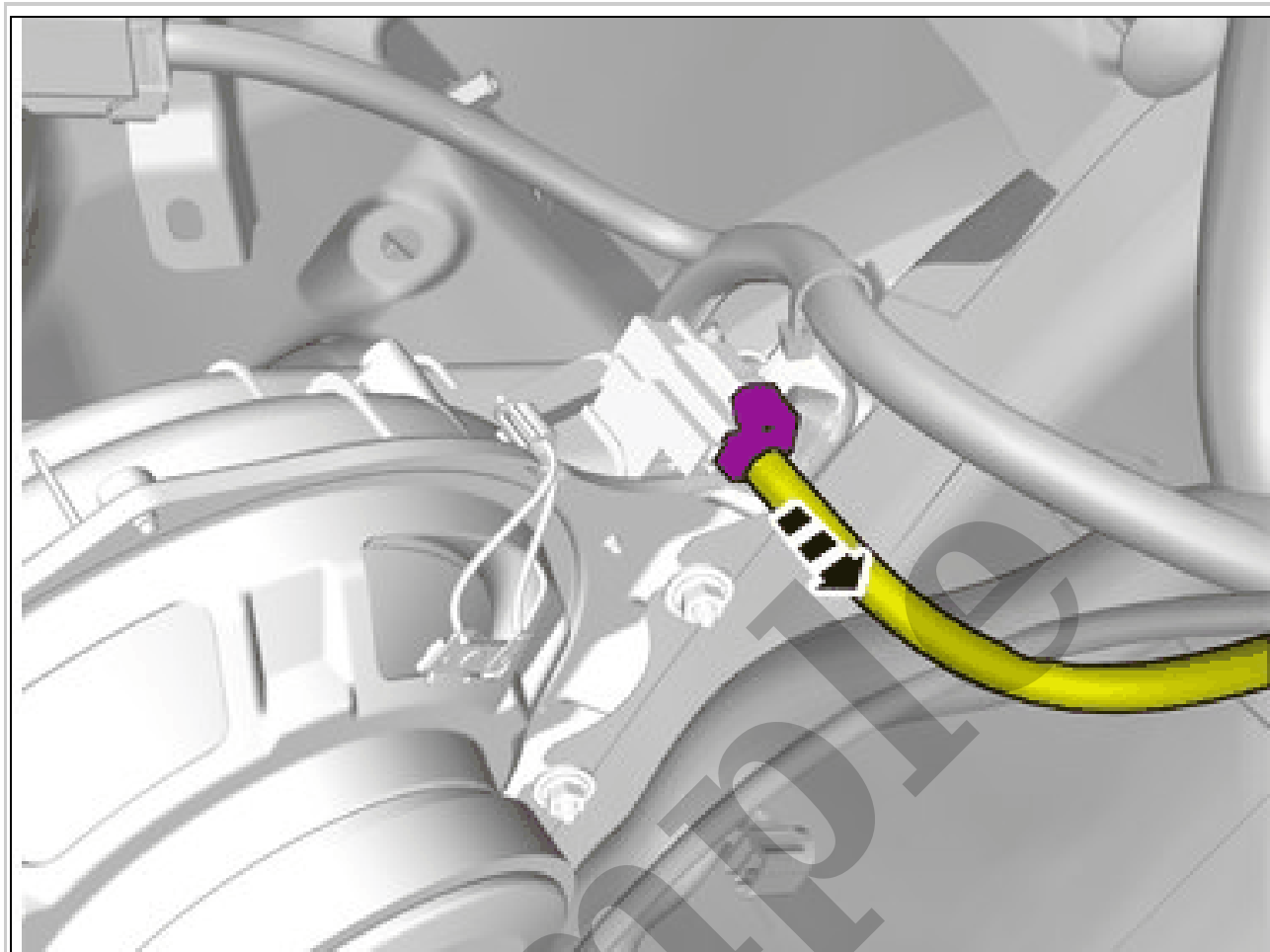
1990 VOLVO 460 OEM Service and Repair Workshop Manual

[Go to manual page](#)



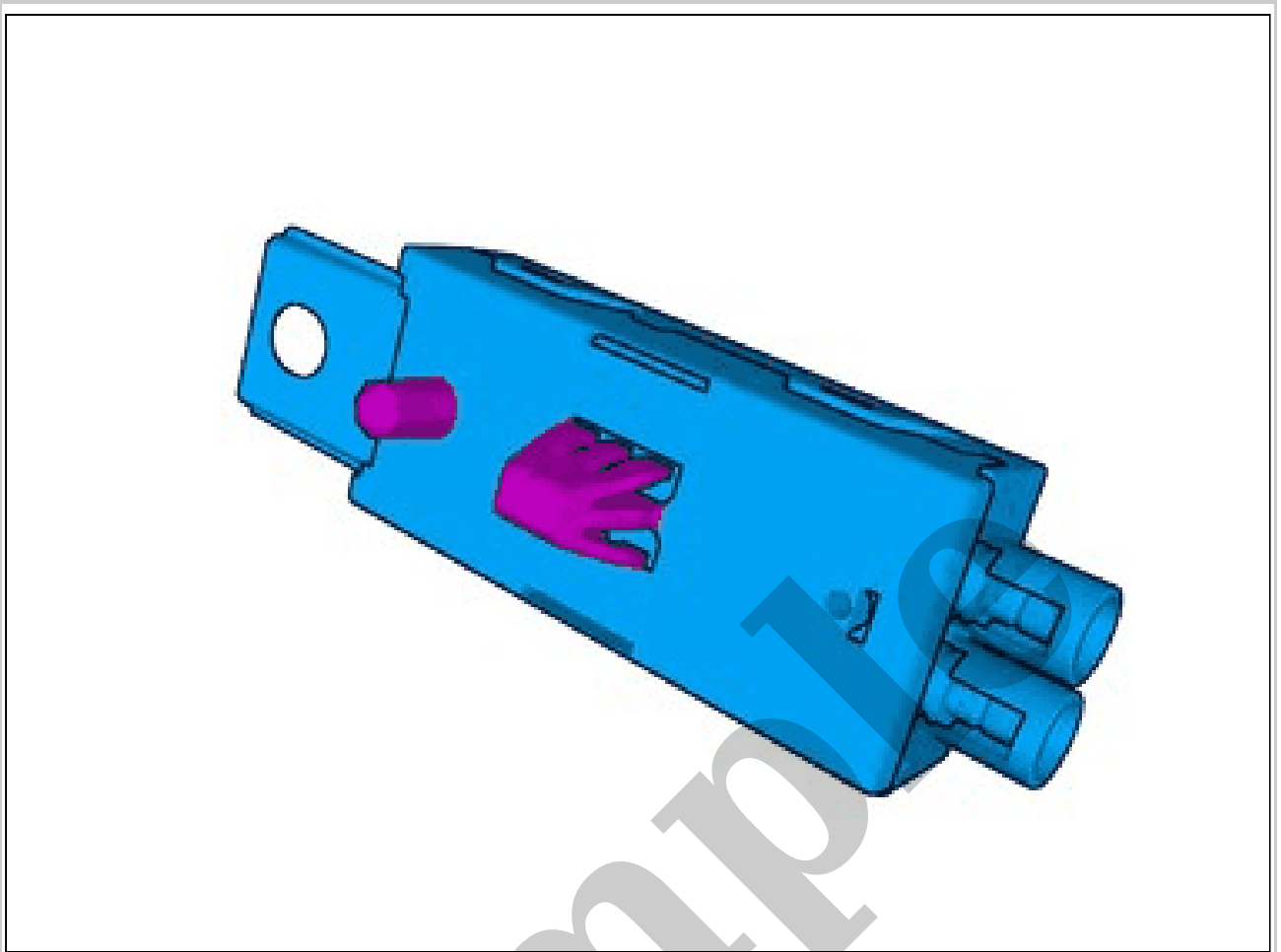
Courtesy of VOLVO CARS CORPORATION

Disconnect the connector.



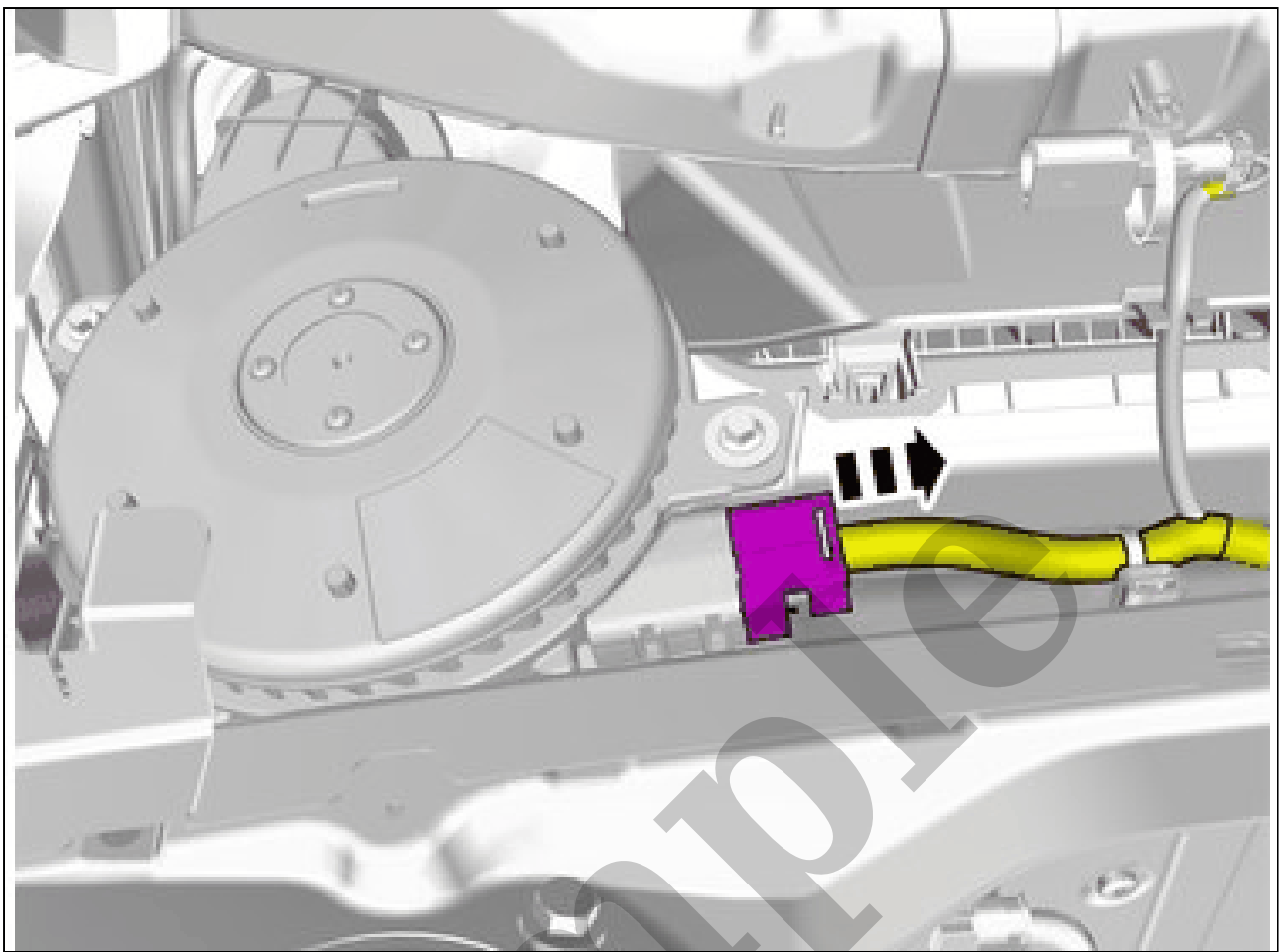
Courtesy of VOLVO CARS CORPORATION

Disconnect the connector.



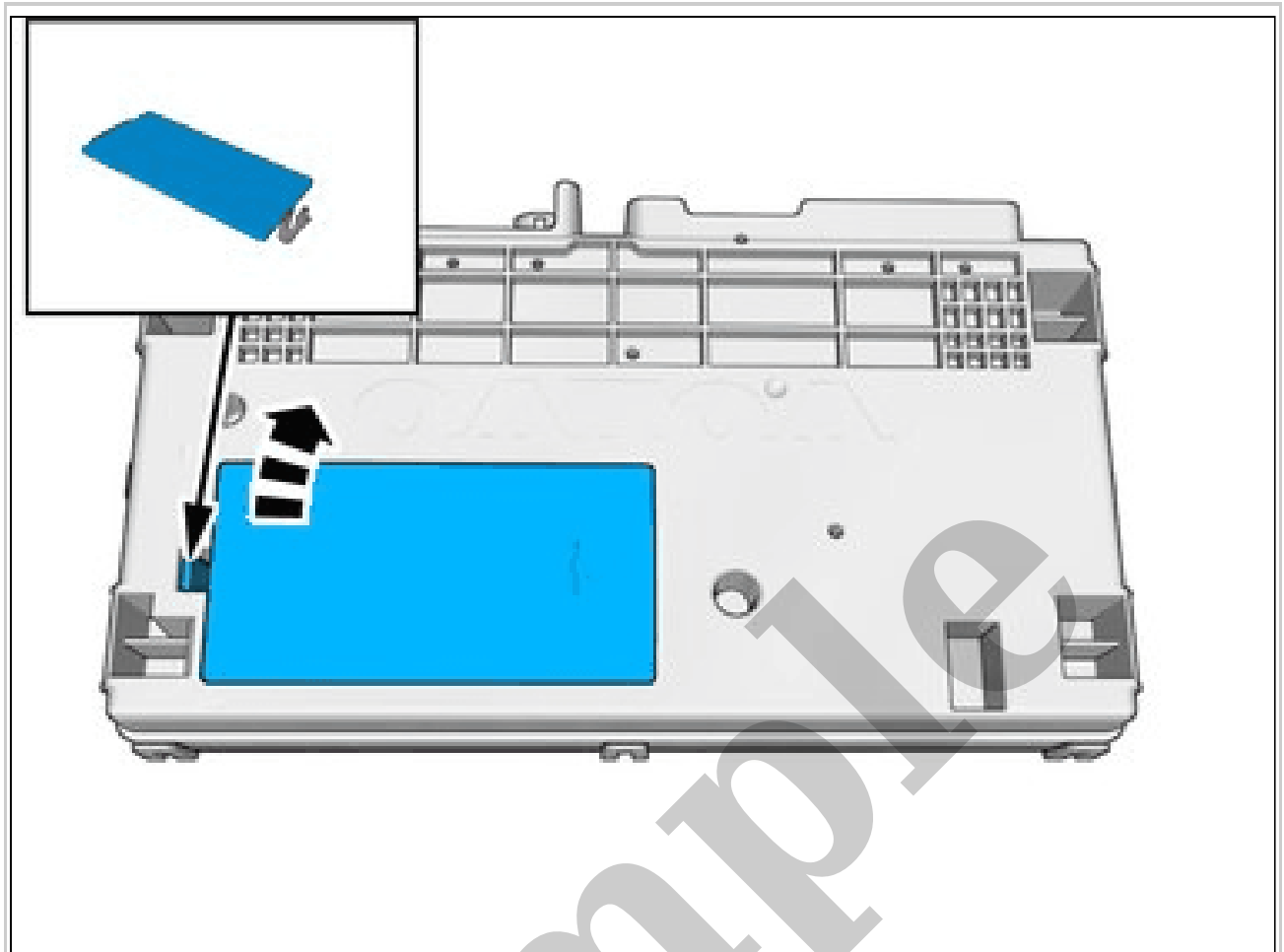
Courtesy of VOLVO CARS CORPORATION

The graphic shows the back of the component.



Courtesy of VOLVO CARS CORPORATION

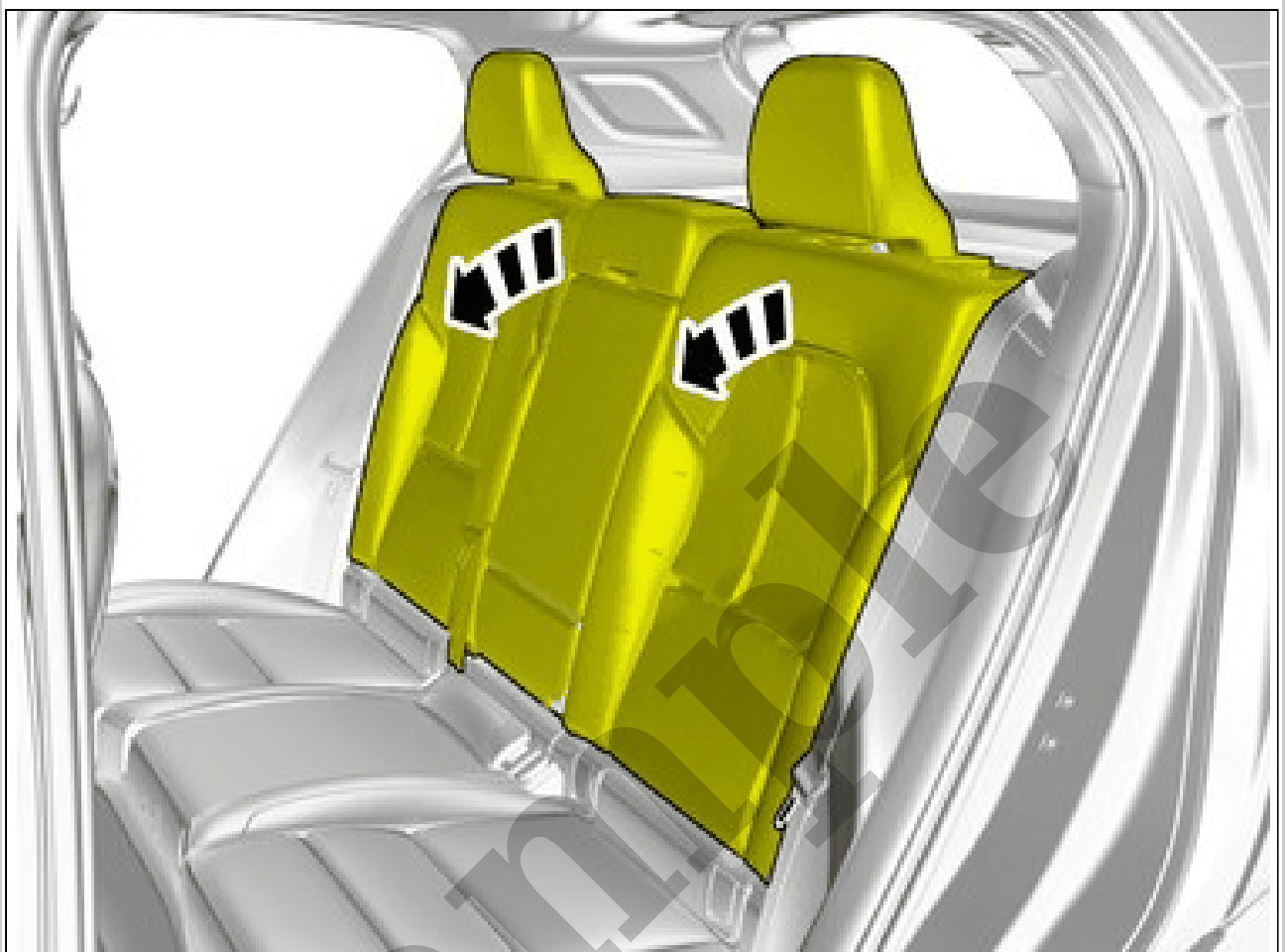
Disconnect the connector.



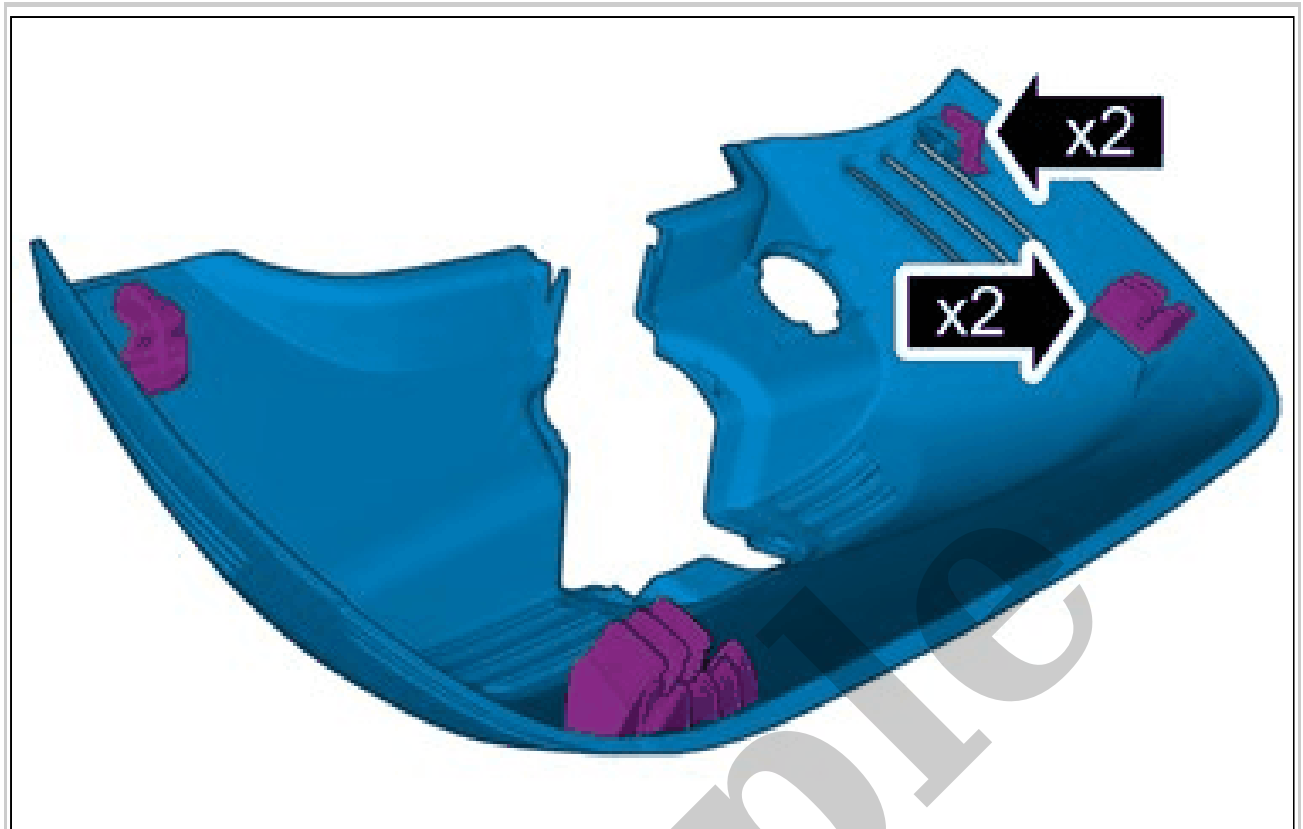
Courtesy of VOLVO CARS CORPORATION

Remove the marked part.

- B-pillar trim panel. Refer to: B-PILLAR TRIM PANEL
- C-pillar trim panel. Refer to: C-PILLAR TRIM PANEL
- Overhead console OHC. Refer to: OVERHEAD CONSOLE



Courtesy of VOLVO CARS CORPORATION



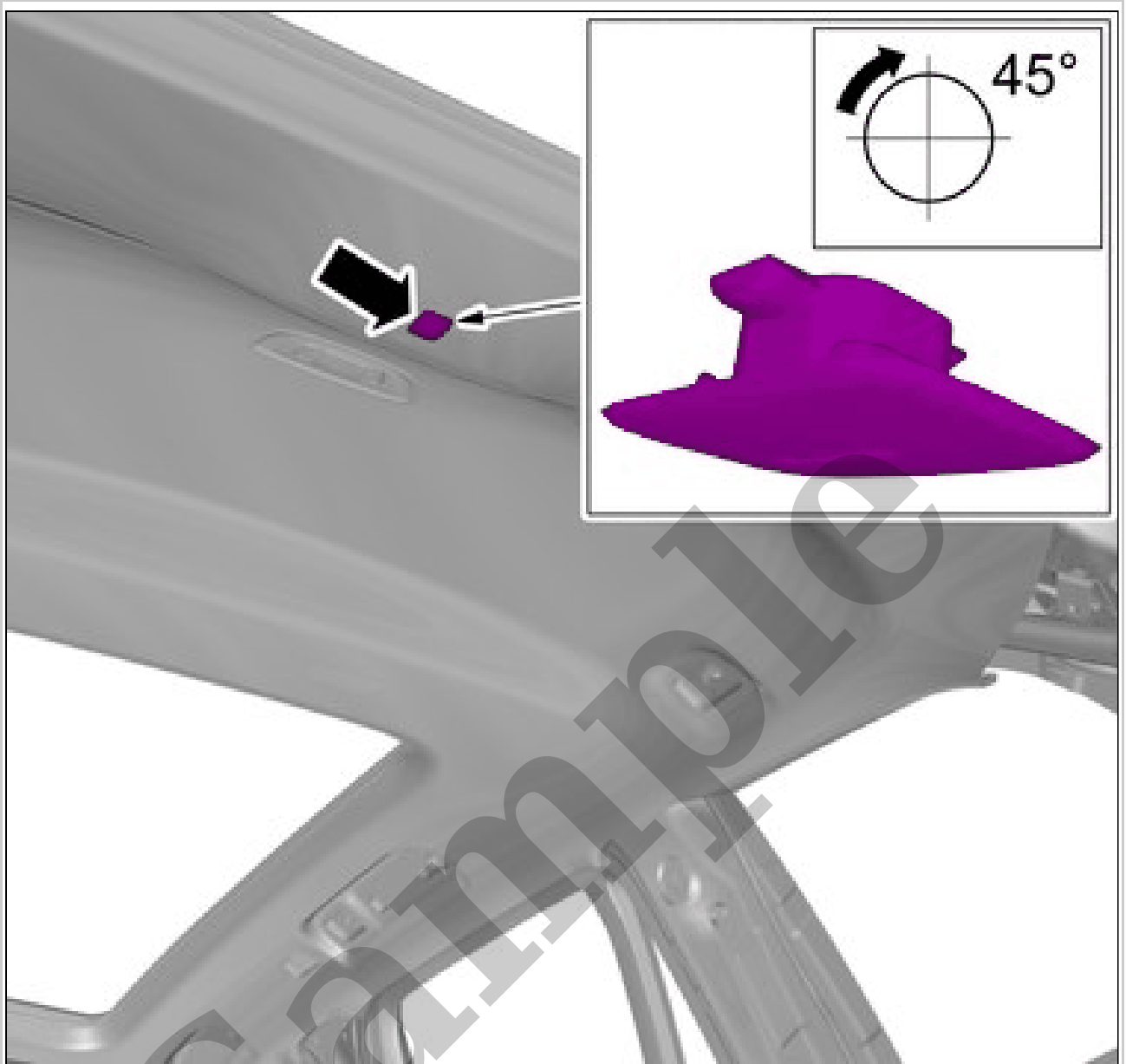
Courtesy of VOLVO CARS CORPORATION

Sample



Courtesy of VOLVO CARS CORPORATION

NOTE: *The graphic shows the back of the component before removal.*



Courtesy of VOLVO CARS CORPORATION

Remove the fastener.
VEHICLES WITH ROOF OPENING PANEL