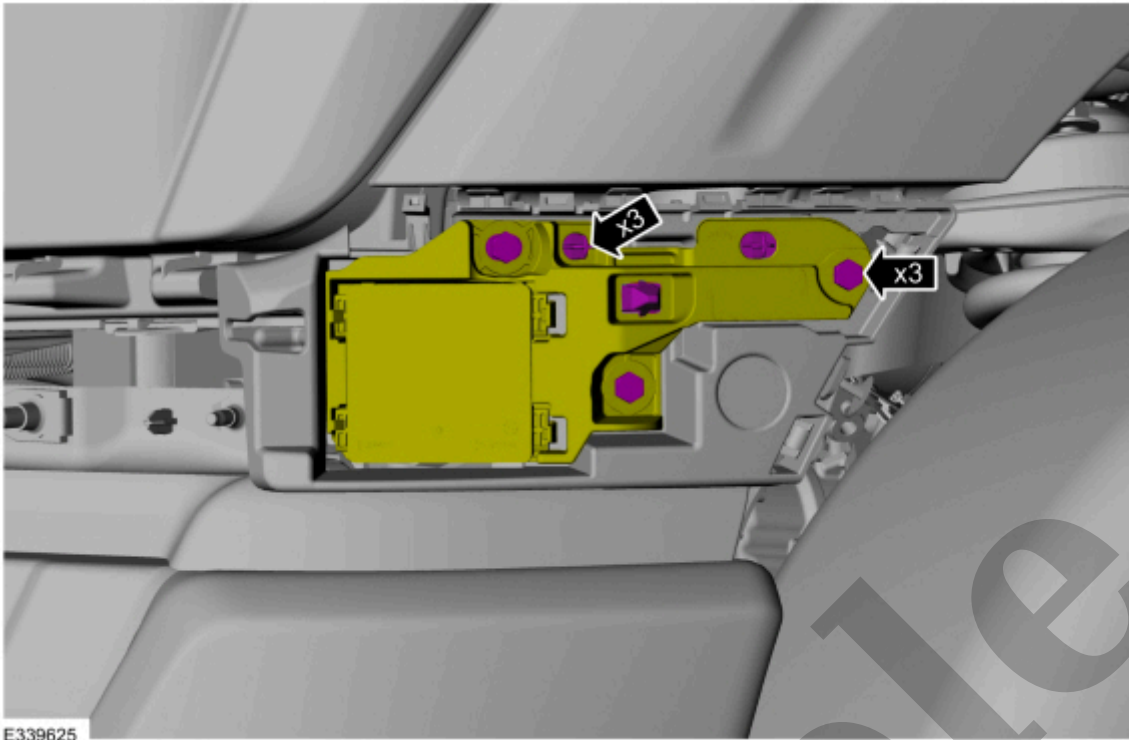


Your Ultimate Source for OEM Repair Manuals

FactoryManuals.net is a great resource for anyone who wants to save money on repairs by doing their own work. The manuals provide detailed instructions and diagrams that make it easy to understand how to fix a vehicle.

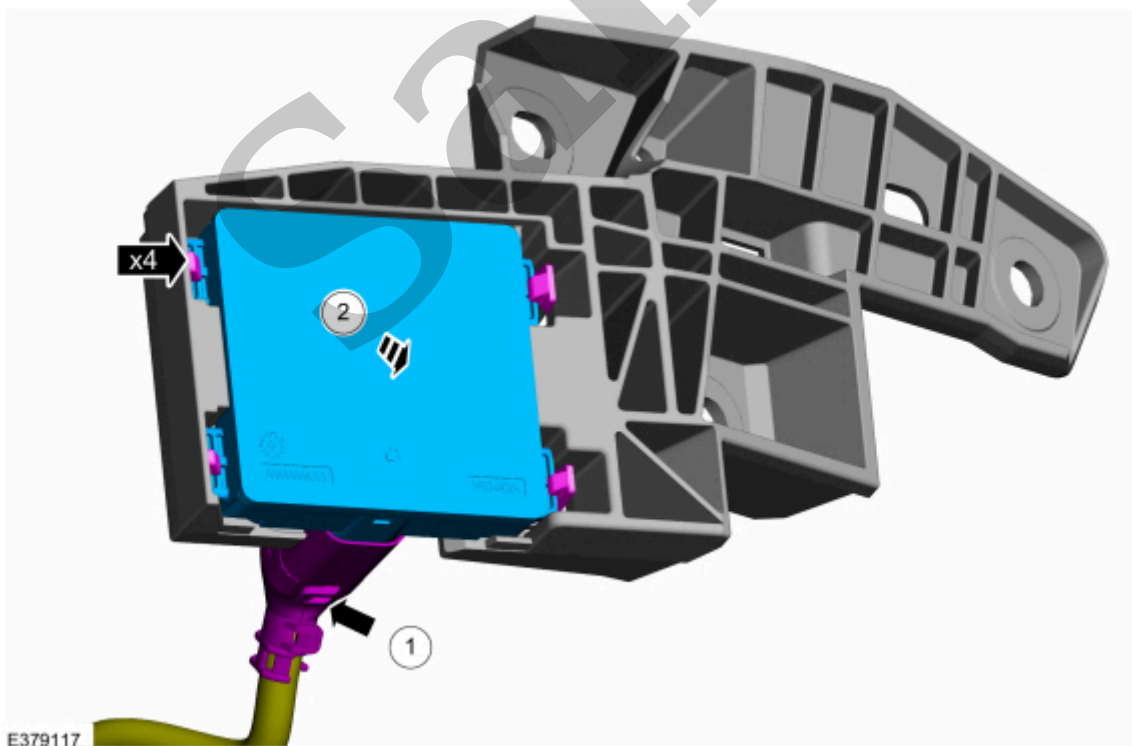
1990 FORD Mustang OEM Service and Repair Workshop Manual

[Go to manual page](#)



[Click here to learn about symbols, color coding, and icons used in this manual.](#)

3.
 1. Disconnect the electrical connector.
 2. Release the tabs and remove the SODCMC (Side Obstacle Detection Control Module C) .



Side Obstacle Detection Control Module C (SODCMC) - Raptor

419-04A Side and Rear Vision	2022 F-150
Removal and Installation	Procedure revision date: 10/14/2022

Side Obstacle Detection Control Module C (SODCMC) - Raptor

Removal

NOTE

Removal steps in this procedure may contain installation details.

1. Remove the front fender moulding.

Refer to: [Front Fender Moulding](#)(501-08 Exterior Trim and Ornamentation, Removal and Installation).

2. 1. Remove the screws.

Torque : 27 lb.in (3 Nm)

2. Release the tabs and position the SODCMC (Side Obstacle Detection Control Module C) bracket aside.

[Click here to learn about symbols, color coding, and icons used in this manual.](#)

Installation

1. To install, reverse the removal procedure.

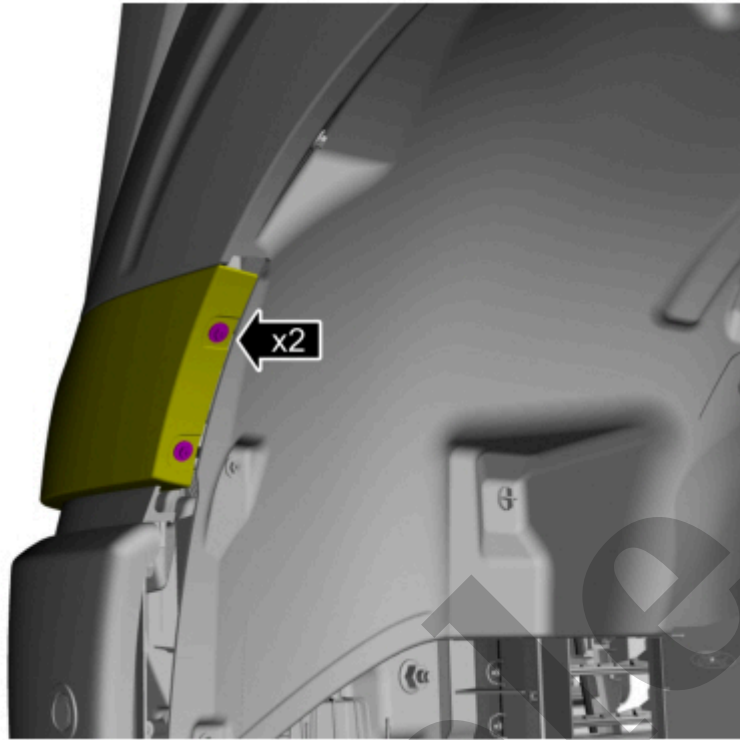
2. **NOTE**

Carry out this step only if a SODCMC is being replaced.

Using a diagnostic scan tool, complete the PMI (programmable module installation) process for the SODCMC following the on-screen instructions.

Copyright © Ford Motor Company

Sample



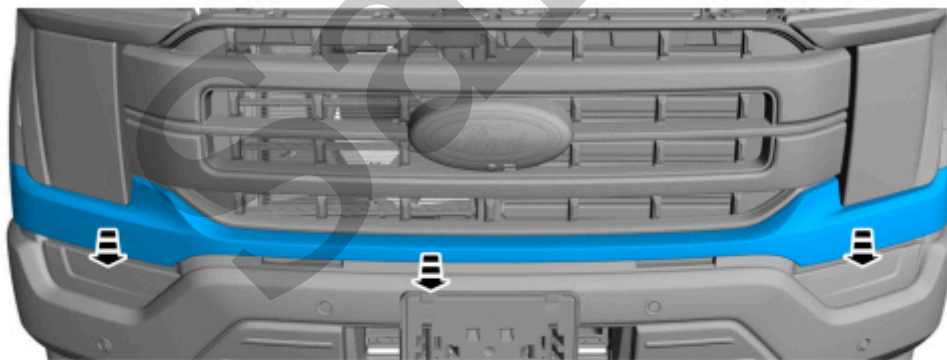
E336768

[Click here to learn about symbols, color coding, and icons used in this manual.](#)

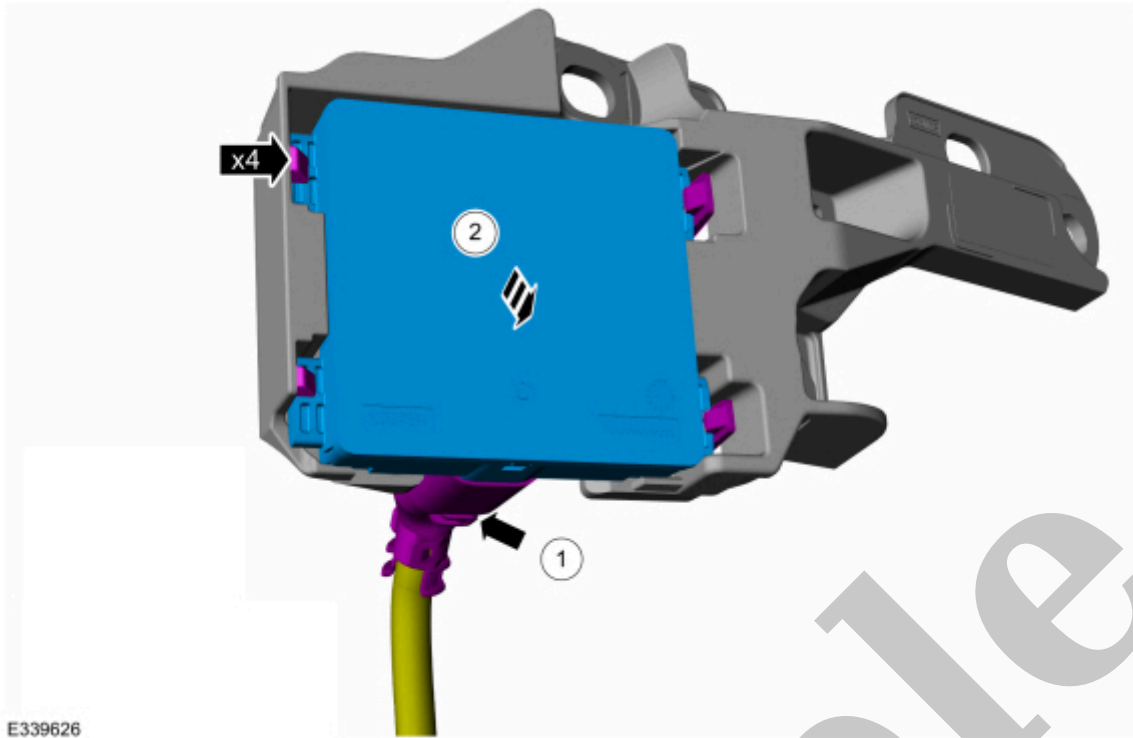
2. Remove the front bumper upper cover trim panel.

Using a flat-blade screwdriver release the locking tabs

Use the General Equipment: Flat Headed Screw Driver



E336767

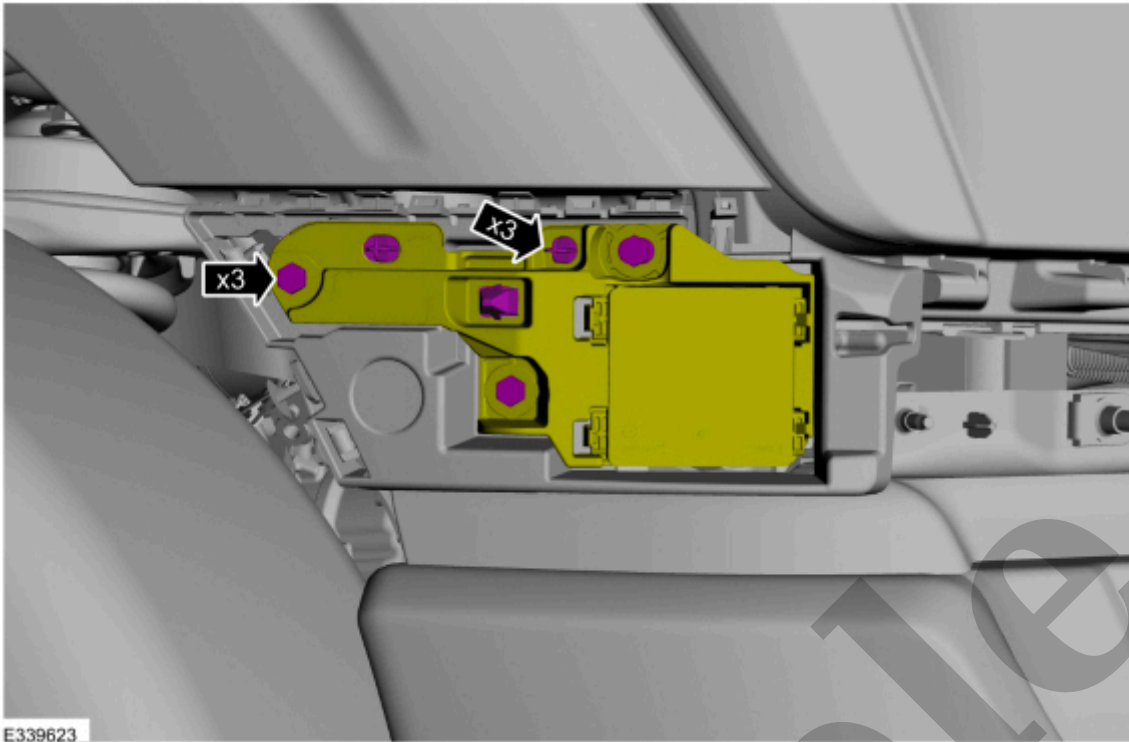


[Click here to learn about symbols, color coding, and icons used in this manual.](#)

Installation

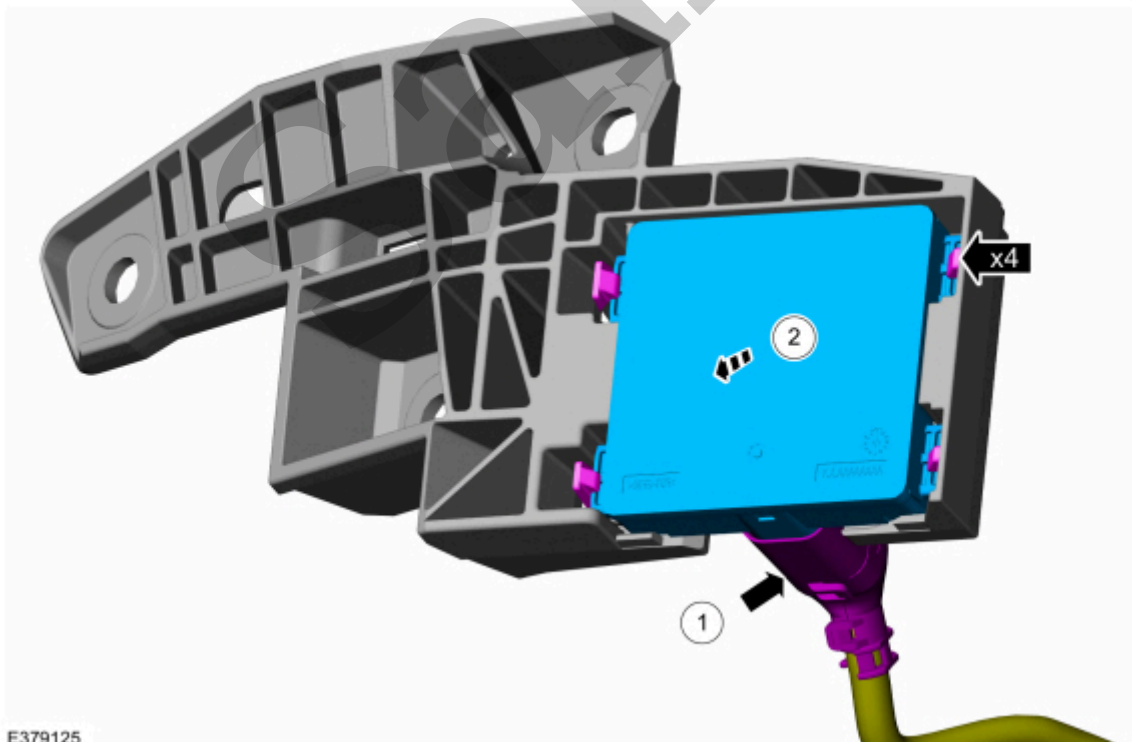
1. To install, reverse the removal procedure.

Copyright © Ford Motor Company



[Click here to learn about symbols, color coding, and icons used in this manual.](#)

3.
 1. Disconnect the electrical connector.
 2. Release the tabs and remove the SODCMD (Side Obstacle Detection Control Module D) .



Side Obstacle Detection Control Module D (SODCMD) - Raptor

419-04A Side and Rear Vision	2022 F-150
Removal and Installation	Procedure revision date: 10/14/2022

Side Obstacle Detection Control Module D (SODCMD) - Raptor

Removal

NOTE

Removal steps in this procedure may contain installation details.

1. Remove the front fender moulding.

Refer to: [Front Fender Moulding](#)(501-08 Exterior Trim and Ornamentation, Removal and Installation).

2. 1. Remove the screws.

Torque : 27 lb.in (3 Nm)

2. Release the tabs and position the SODCMD (Side Obstacle Detection Control Module D) bracket aside.

[Click here to learn about symbols, color coding, and icons used in this manual.](#)

Installation

1. To install, reverse the removal procedure.

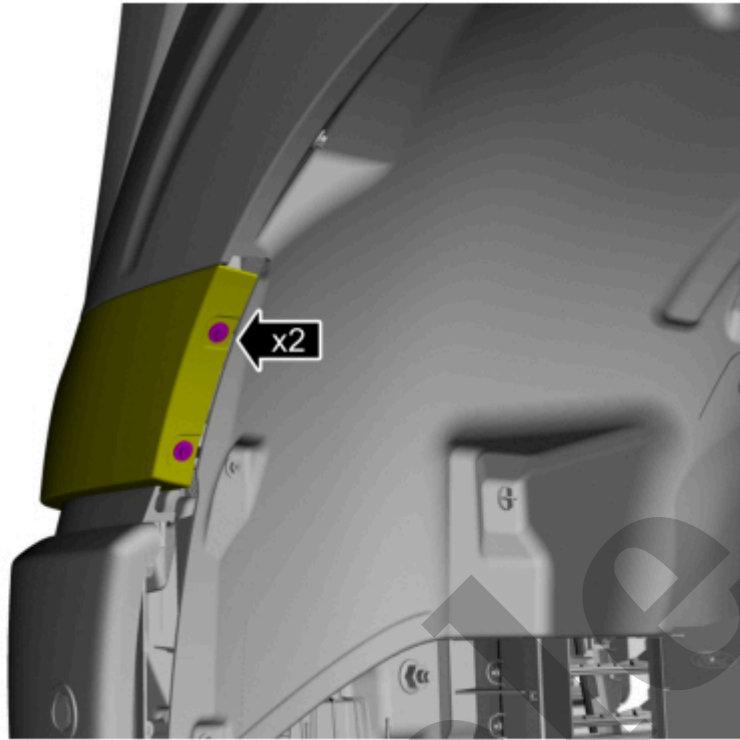
2. **NOTE**

Carry out this step only if a SODCMD is being replaced.

Using a diagnostic scan tool, complete the PMI (programmable module installation) process for the SODCMD following the on-screen instructions.

Copyright © Ford Motor Company

Sample



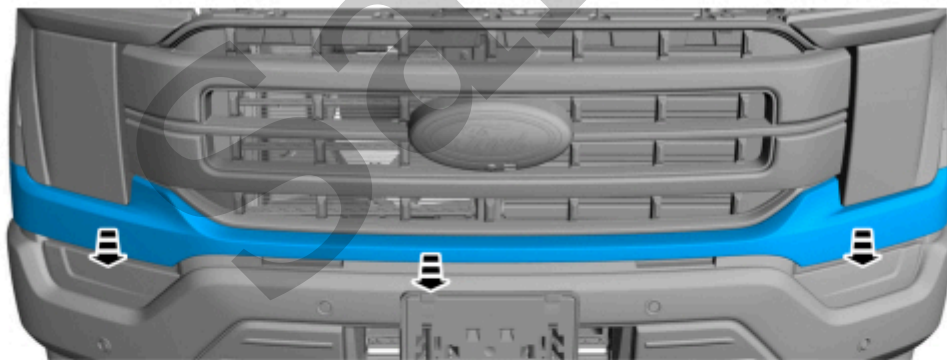
E336768

[Click here to learn about symbols, color coding, and icons used in this manual.](#)

2. Remove the front bumper upper cover trim panel.

Using a flat-blade screwdriver release the locking tabs

Use the General Equipment: Flat Headed Screw Driver



E336767