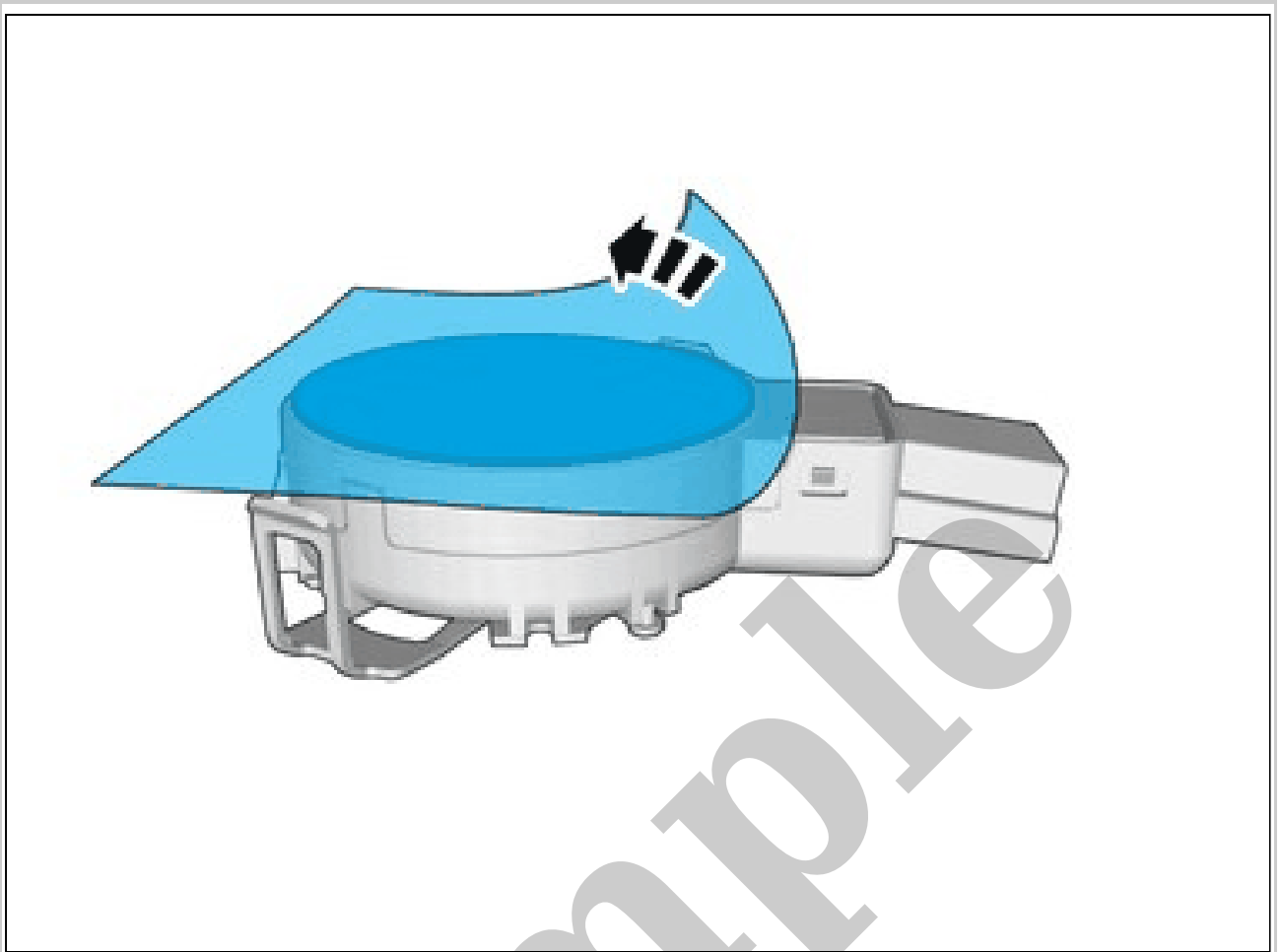


# Your Ultimate Source for OEM Repair Manuals

FactoryManuals.net is a great resource for anyone who wants to save money on repairs by doing their own work. The manuals provide detailed instructions and diagrams that make it easy to understand how to fix a vehicle.

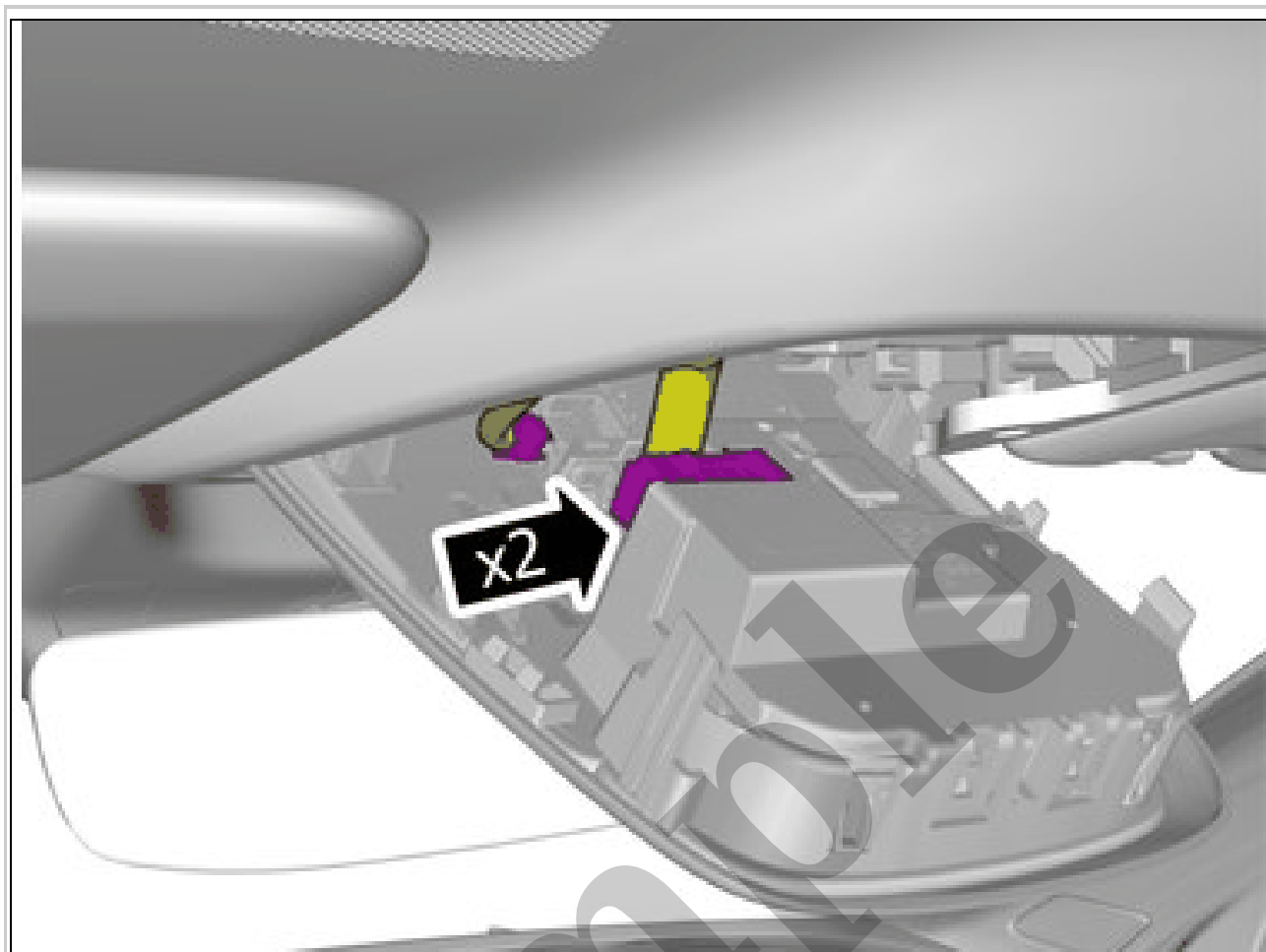
## 1989 VOLVO 760 OEM Service and Repair Workshop Manual

[Go to manual page](#)



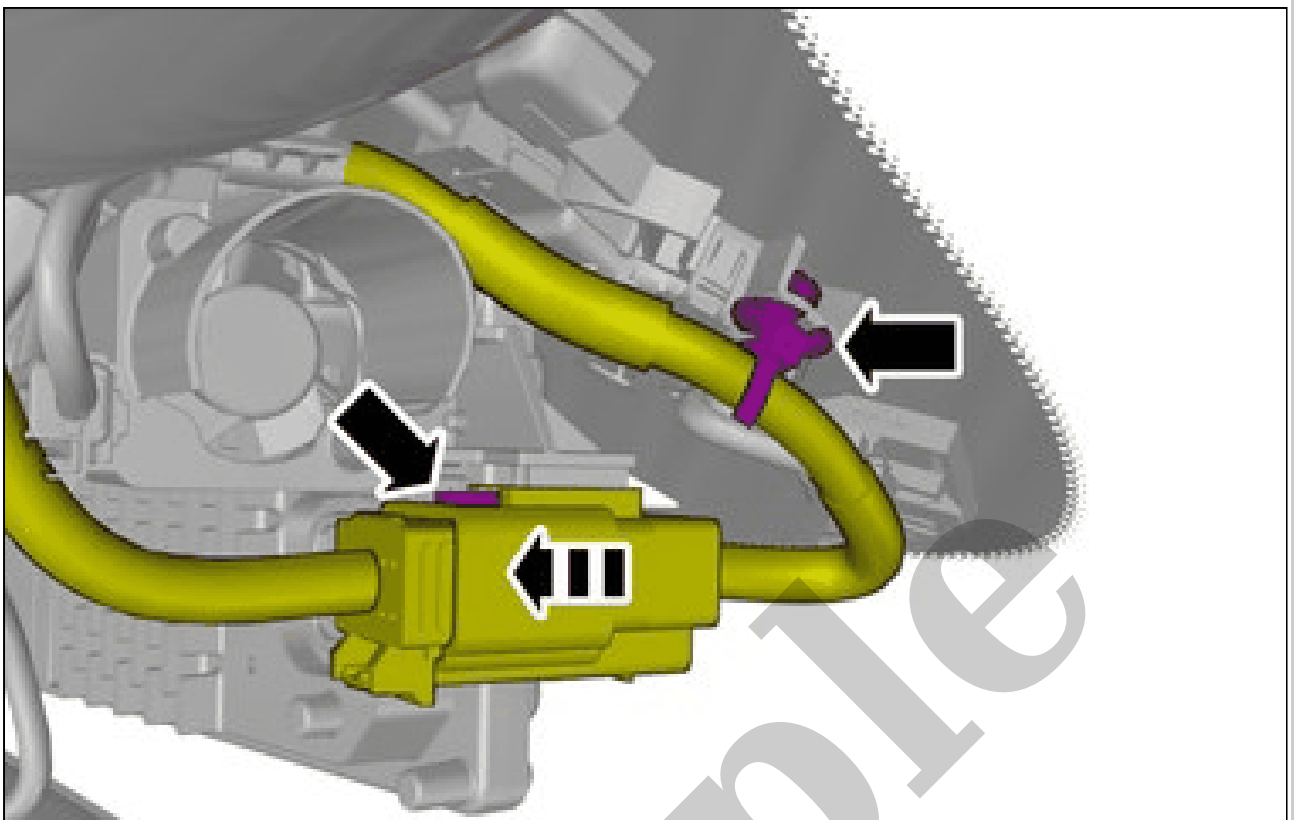
Courtesy of VOLVO CARS CORPORATION

Remove the protective film.



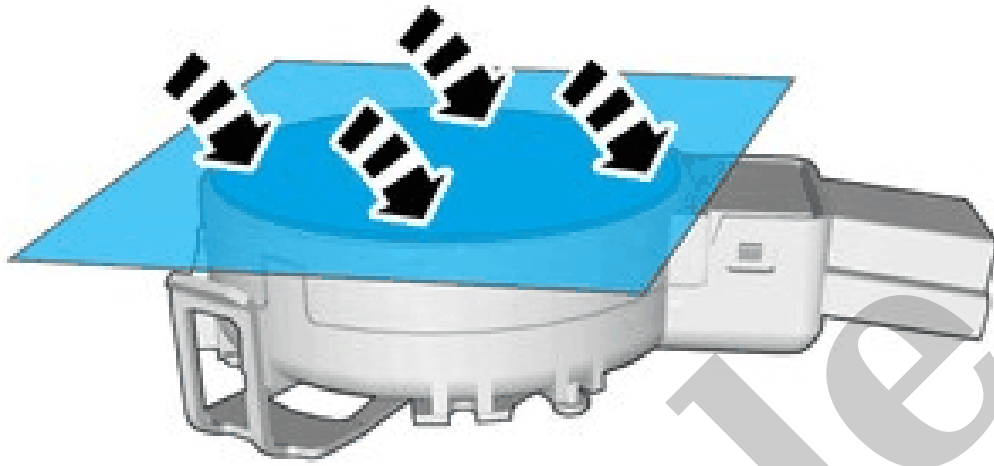
Courtesy of VOLVO CARS CORPORATION

Disconnect the connectors.



Courtesy of VOLVO CARS CORPORATION

Remove the cable harness clips.

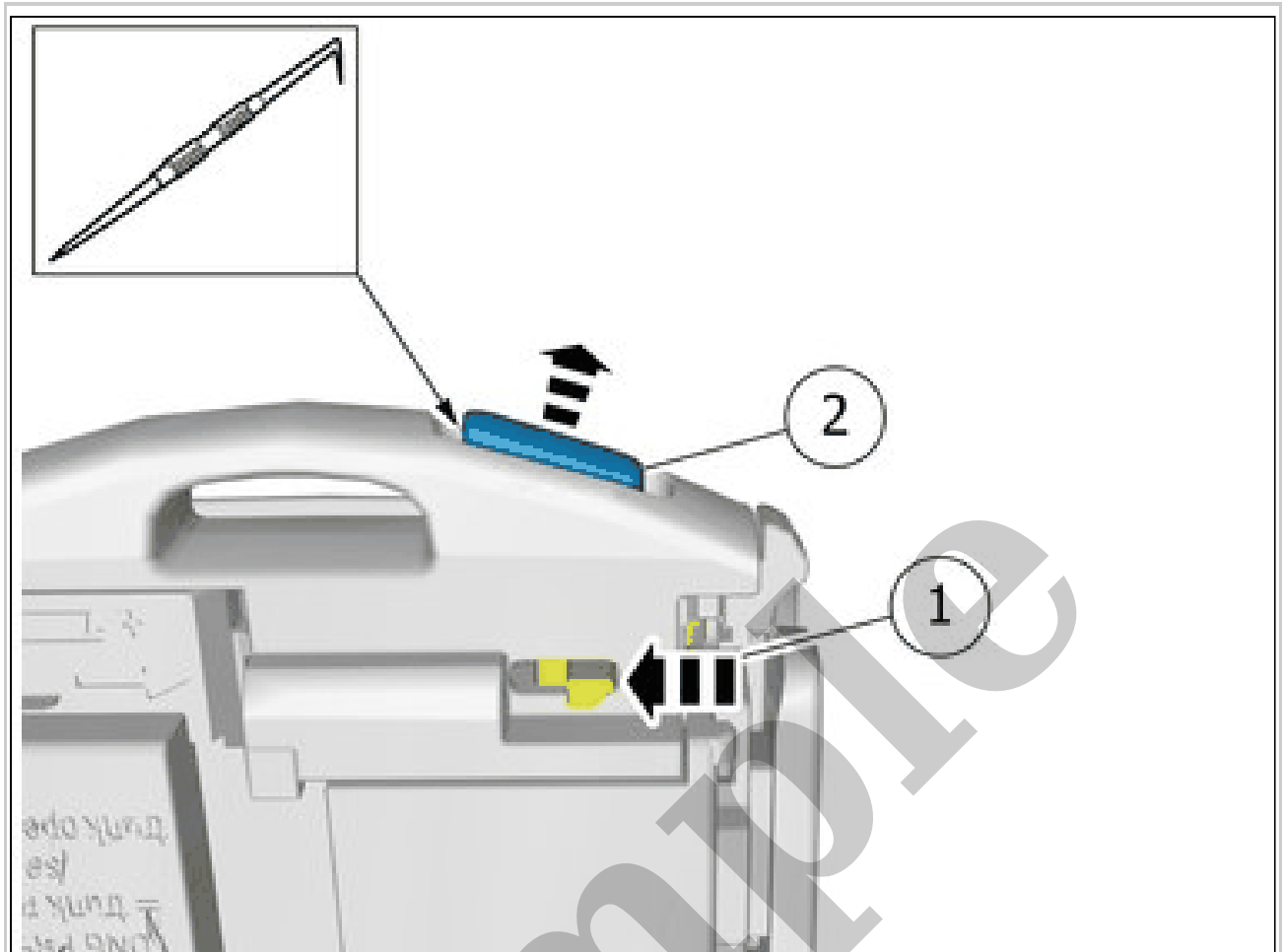


Courtesy of VOLVO CARS CORPORATION

**NOTE:** *This step is not necessary when installing a new component.*

**NOTE:** *Make sure that the component is clean and free of foreign material.*

Install the marked component.

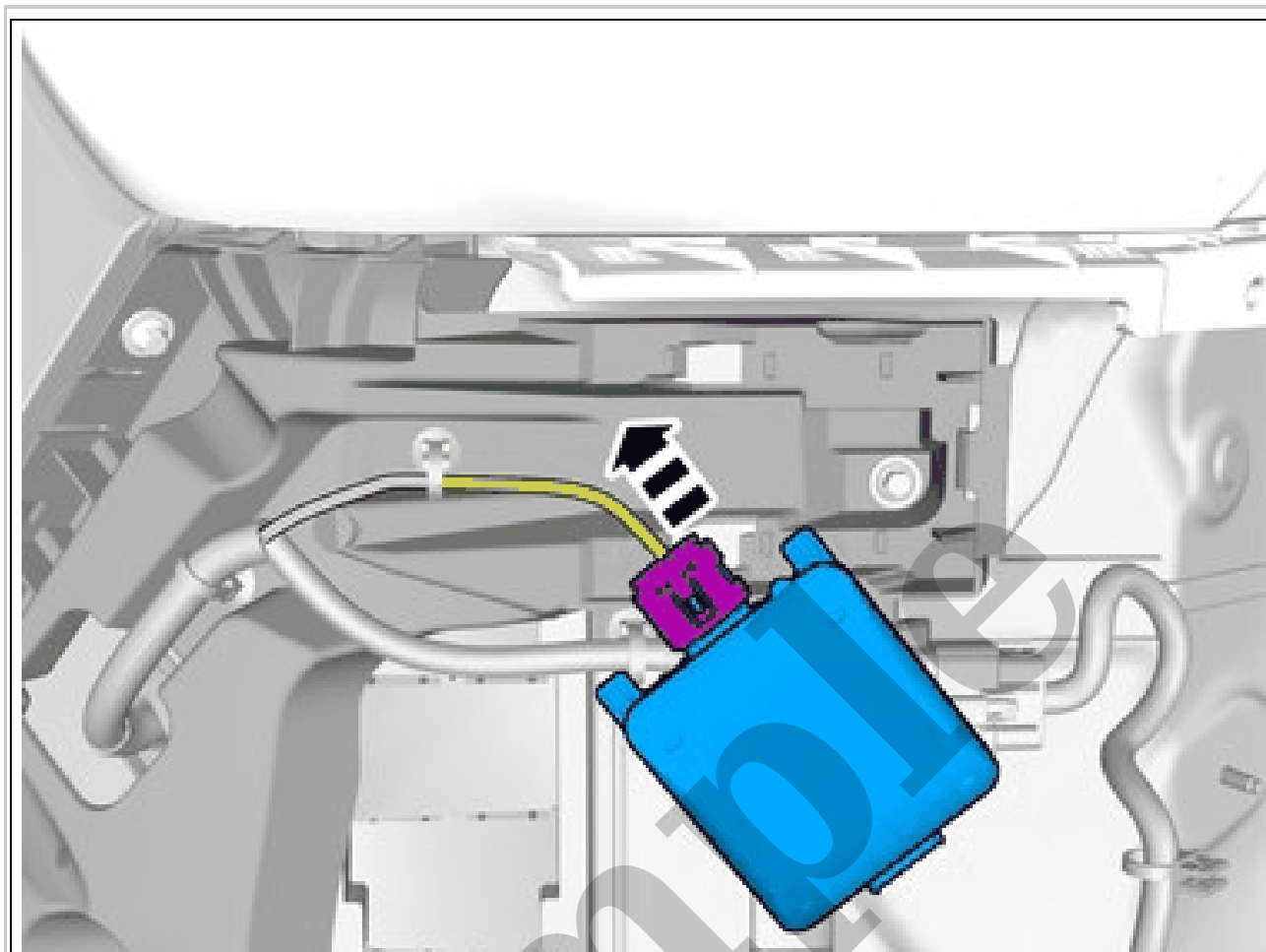


Courtesy of VOLVO CARS CORPORATION

Release the lock.  
Hold it down.  
Remove the marked part.

**REMOTE KEY SLIDER > REMOTE KEY SLIDER [2018-2022] > INSTALLATION**

**THE FOLLOWING STEPS APPLY IF SLIDER IS MISSING**



Courtesy of VOLVO CARS CORPORATION

Disconnect the connector.  
Loosen the marked detail.

## **SIDE OBSTACLE DETECTION CONTROL MODULE LEFT > SIDE OBSTACLE DETECTION CONTROL MODULE LEFT (SODL) [2018-2022] > INSTALLATION**

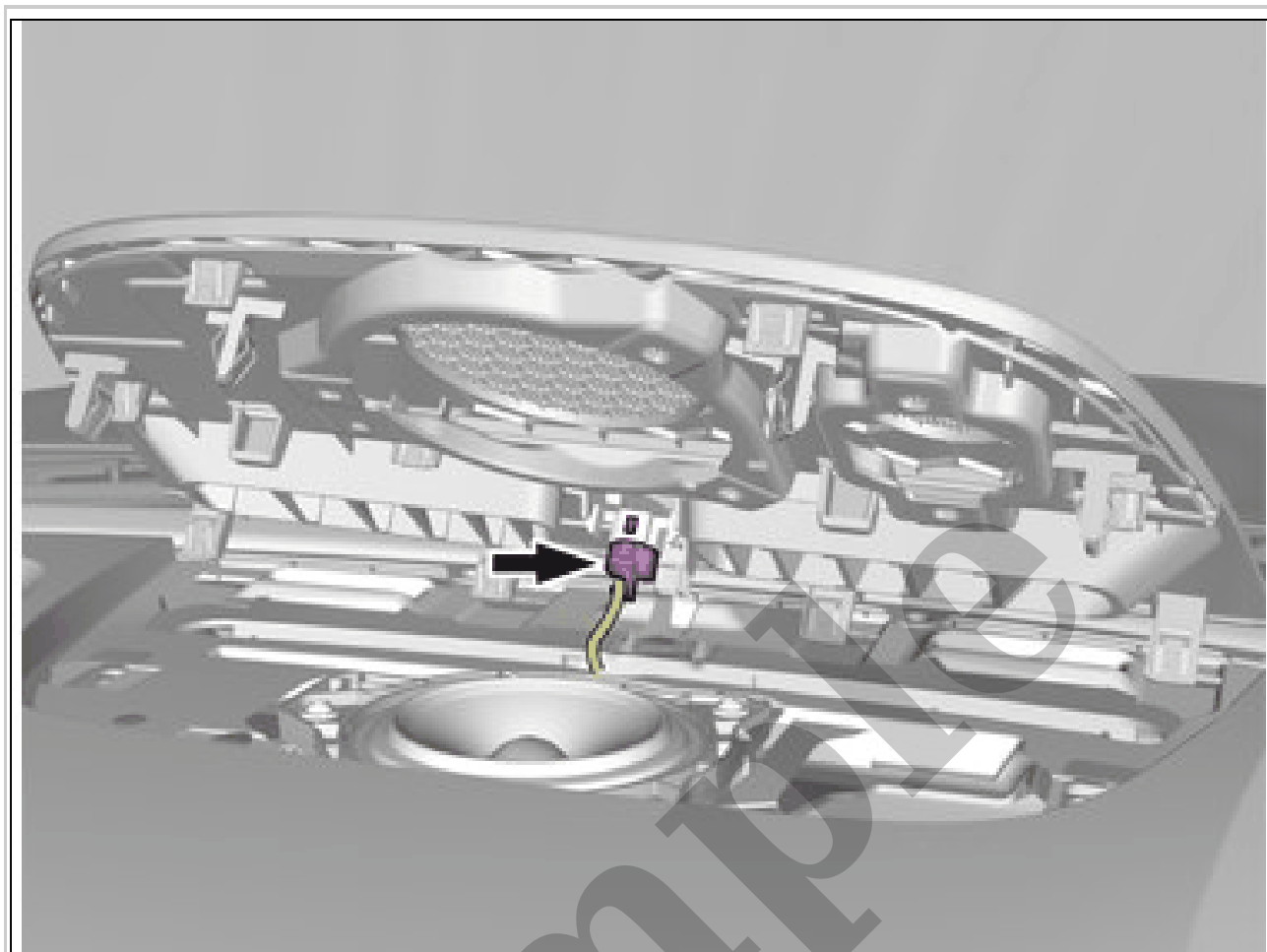
To install, reverse the removal procedure.

**NOTE:** *The following steps are only necessary when installing a new component.*

Order and download the appropriate software according to: VIDA/Software/Hardware Changes

## **SIDE OBSTACLE DETECTION CONTROL MODULE RIGHT > SIDE OBSTACLE DETECTION CONTROL MODULE RIGHT (SODR) [2018-2022] > REMOVAL**

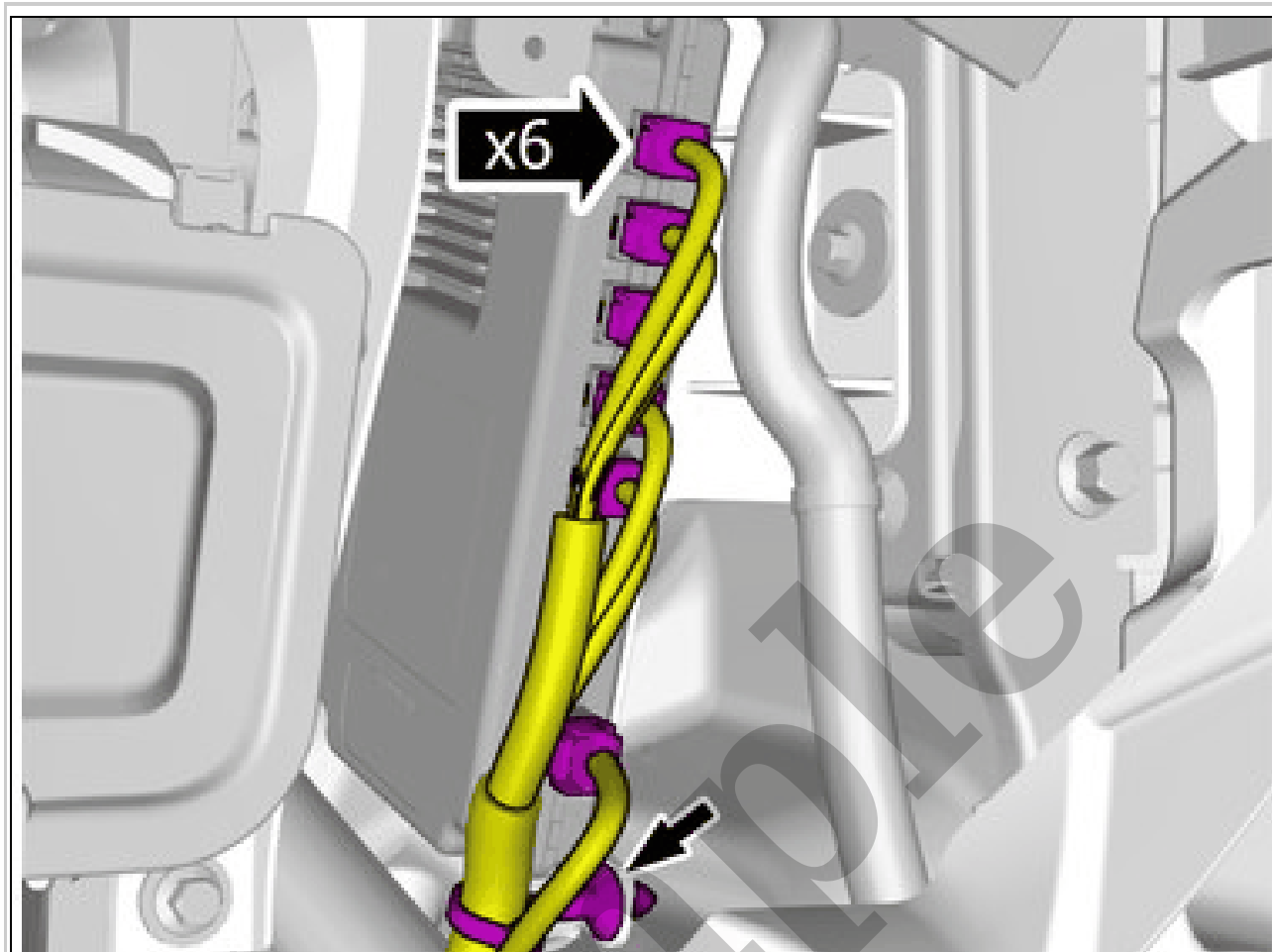
Set the vehicle to Inactive mode, described in user mode. Refer to: USAGE MODE



Courtesy of VOLVO CARS CORPORATION

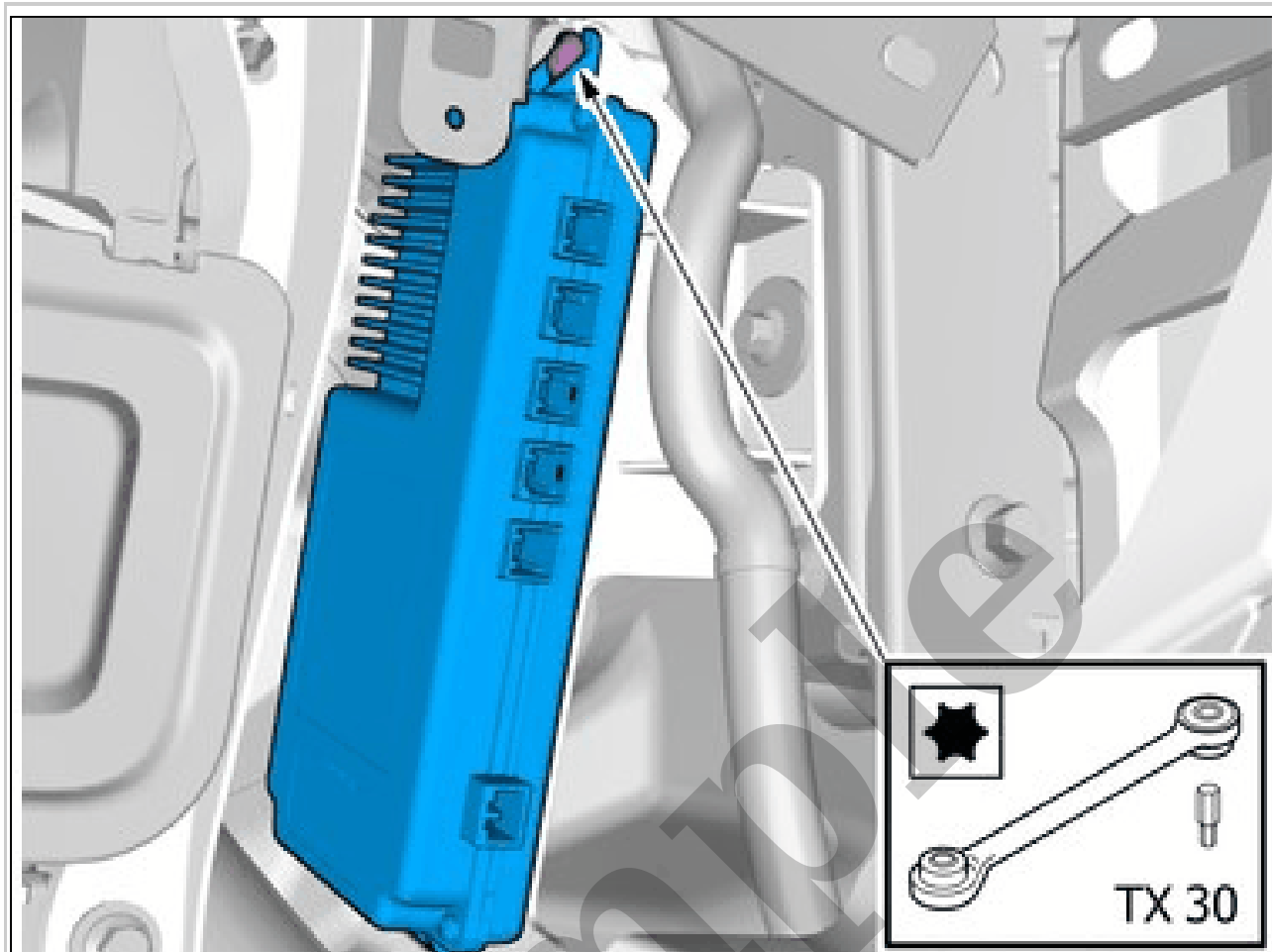
Disconnect the connector.





Courtesy of VOLVO CARS CORPORATION

- Loosen the clip.
- Disconnect the connectors.
- Fold the cable harness aside.



Courtesy of VOLVO CARS CORPORATION

Remove the screw.

Remove the marked part.

**VEHICLES LATE VERSION**