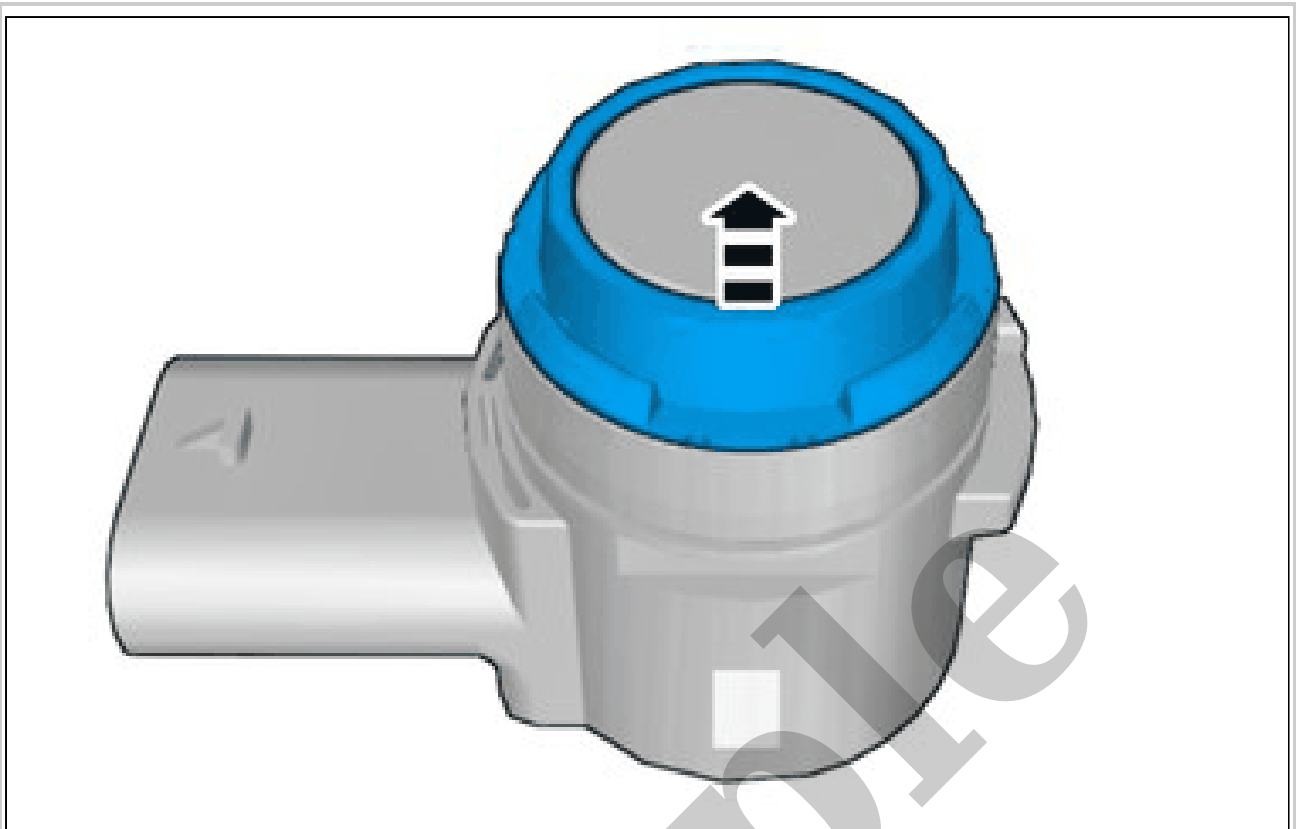


Your Ultimate Source for OEM Repair Manuals

FactoryManuals.net is a great resource for anyone who wants to save money on repairs by doing their own work. The manuals provide detailed instructions and diagrams that make it easy to understand how to fix a vehicle.

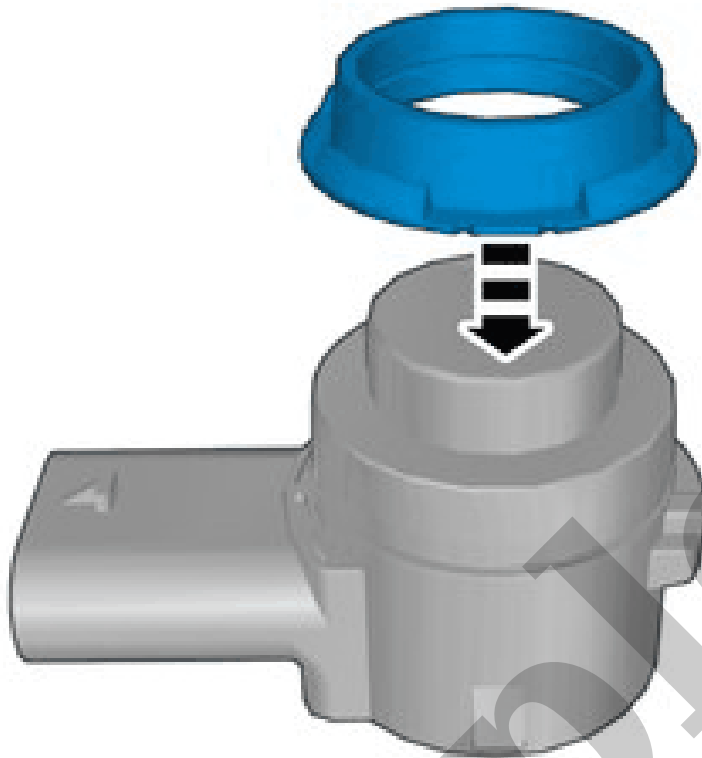
1989 VOLVO 760 Estate OEM Service and Repair Workshop Manual

[Go to manual page](#)



Courtesy of VOLVO CARS CORPORATION

Remove the marked part.



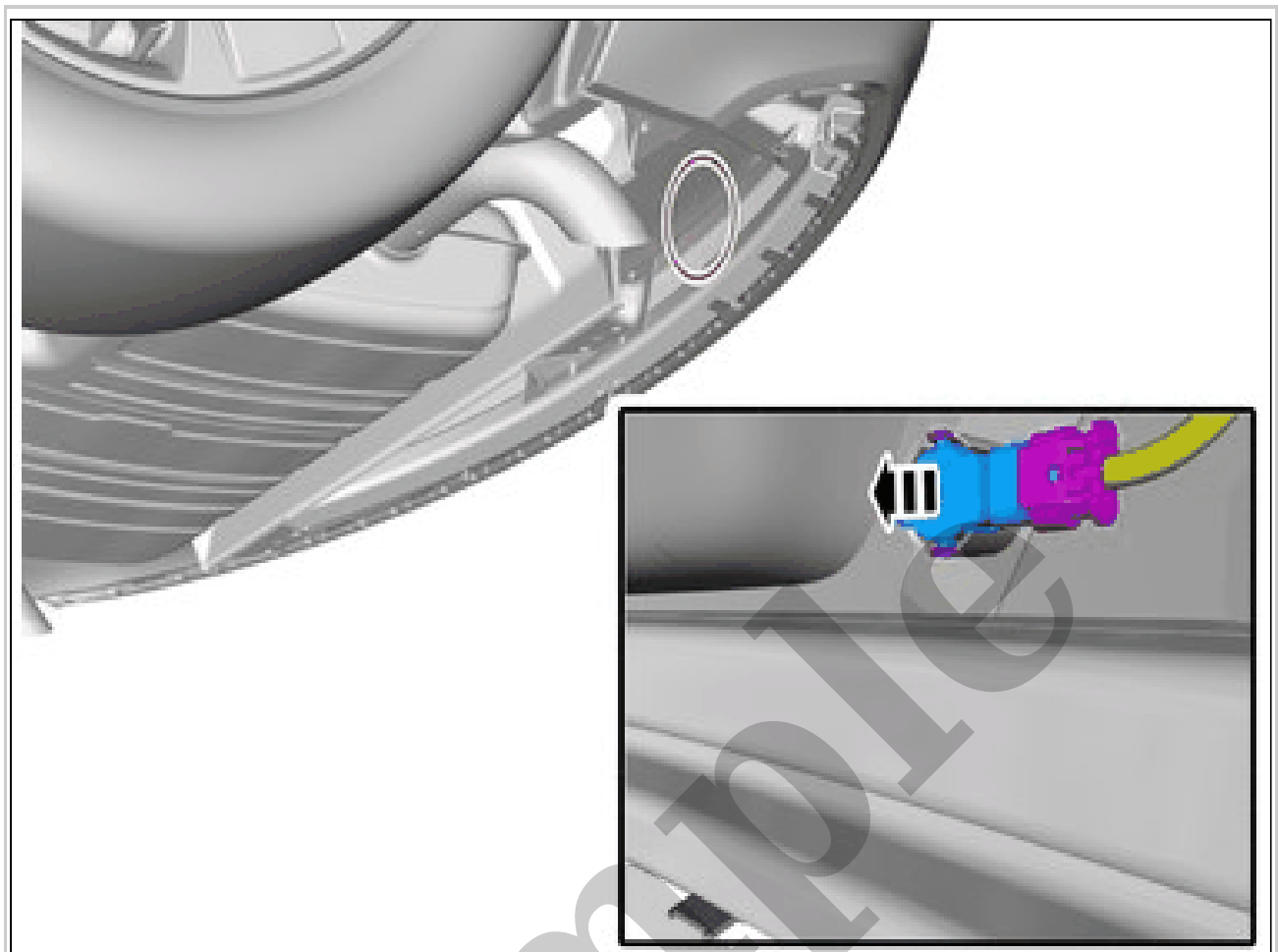
Courtesy of VOLVO CARS CORPORATION

CAUTION: *First the paint must dry after painting.*

To install, reverse the removal procedure.

PARKING ASSISTANCE SENSOR, REAR, INNER > PARKING ASSISTANCE SENSOR, REAR, INNER [2021-2022, B4204T18 | 2021-2022, B4204T47] > REMOVAL

Set the vehicle to Inactive mode, described in user mode. Refer to: USAGE MODE



Courtesy of VOLVO CARS CORPORATION

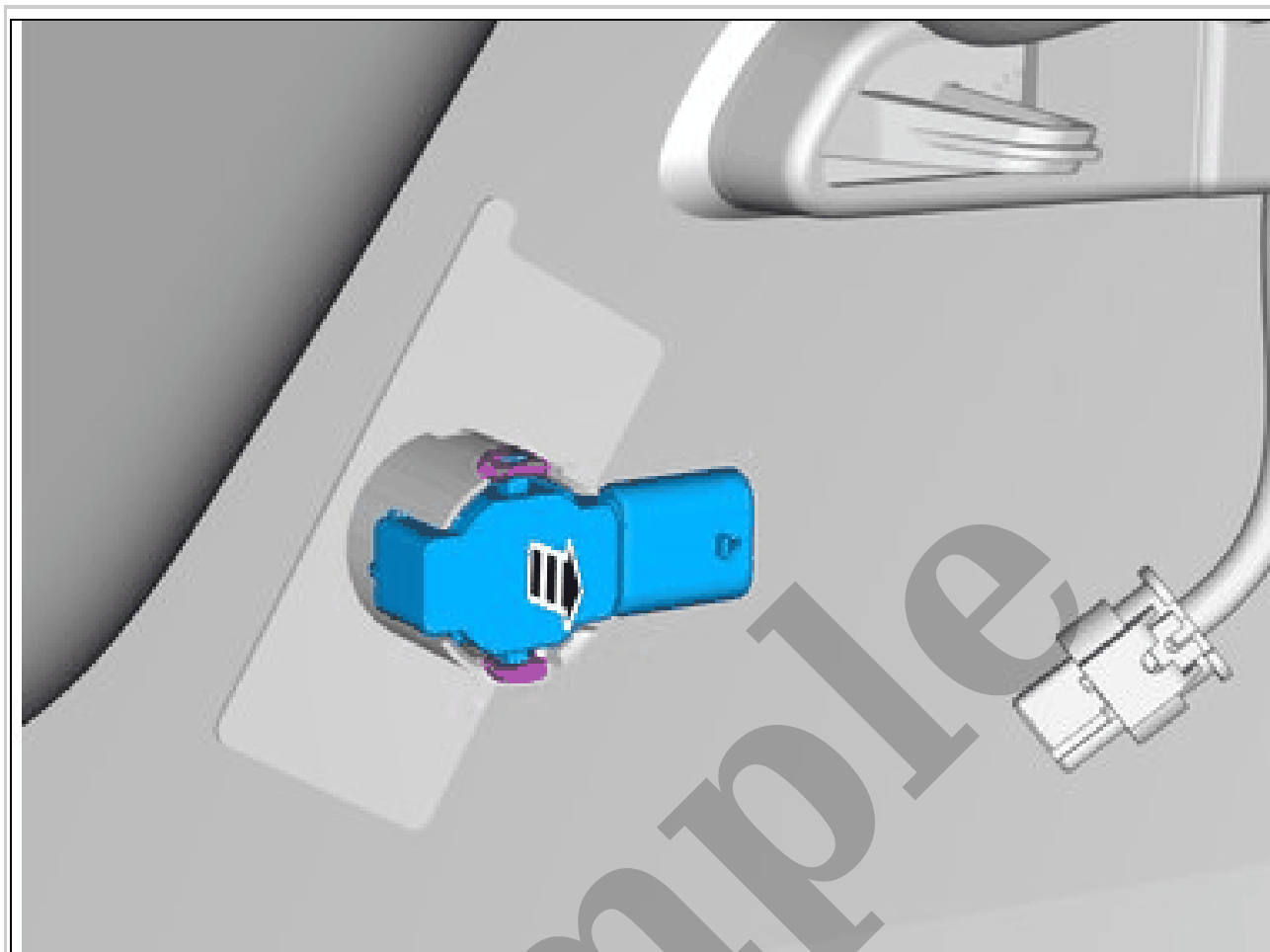
Release the catches.

Remove the marked part.

Disconnect the connector.

VEHICLES WITH INTEGRATED EXHAUST END PIPES

Remove casing bumper rear. Refer to: COVER BUMPER REAR



Courtesy of VOLVO CARS CORPORATION

Release the catches.
Remove the marked part.

**PARKING ASSISTANCE SENSOR, REAR, INNER > PARKING ASSISTANCE SENSOR,
REAR, INNER [2021-2022, E400V6] > INSTALLATION**

To install, reverse the removal procedure.

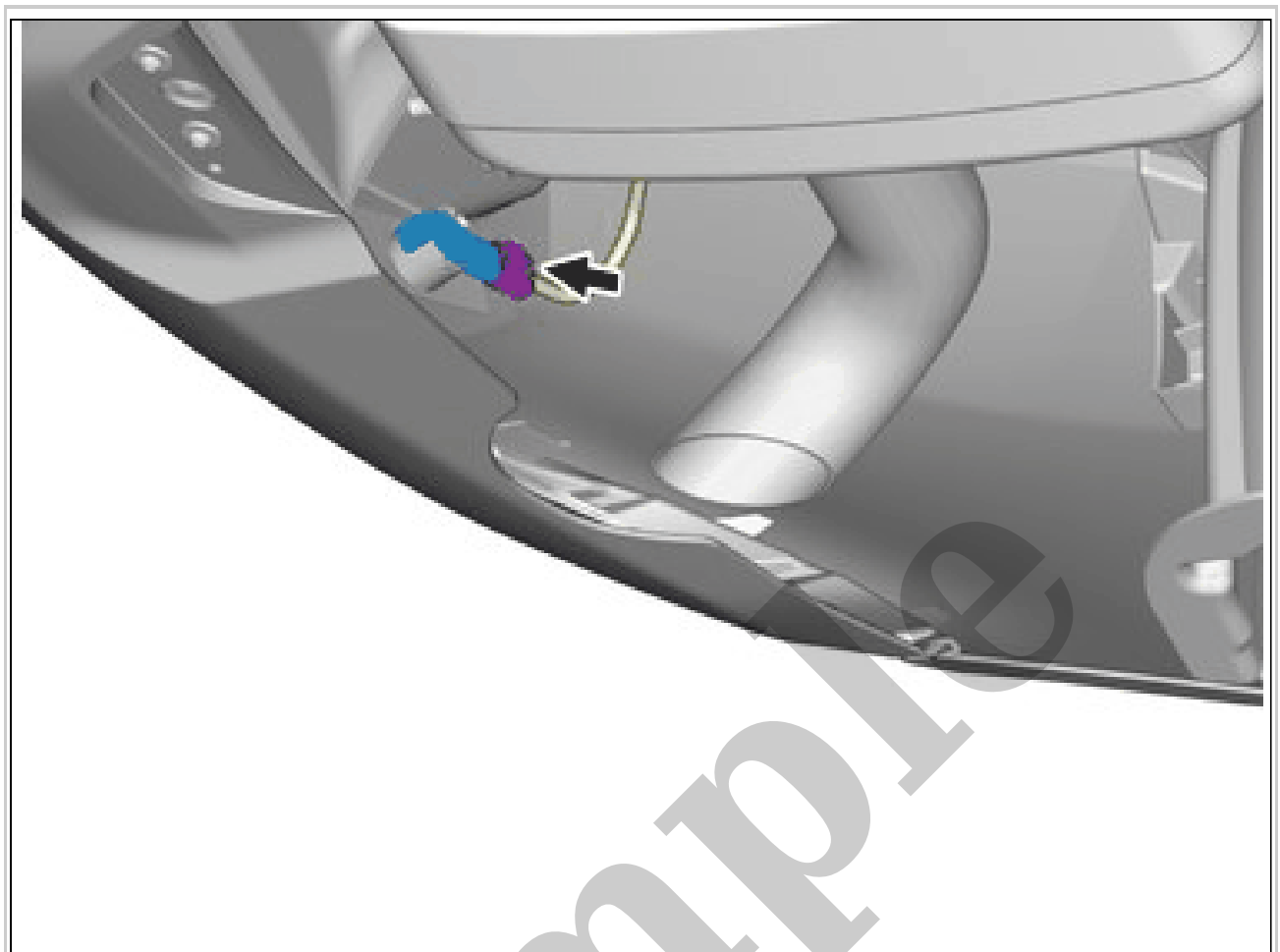
**PARKING ASSISTANCE SENSOR, REAR, OUTER > PARKING ASSISTANCE SENSOR,
REAR, OUTER [2021-2022, E400V6] > REMOVAL**

Set the vehicle to Inactive mode, described in user mode. Refer to: USAGE MODE



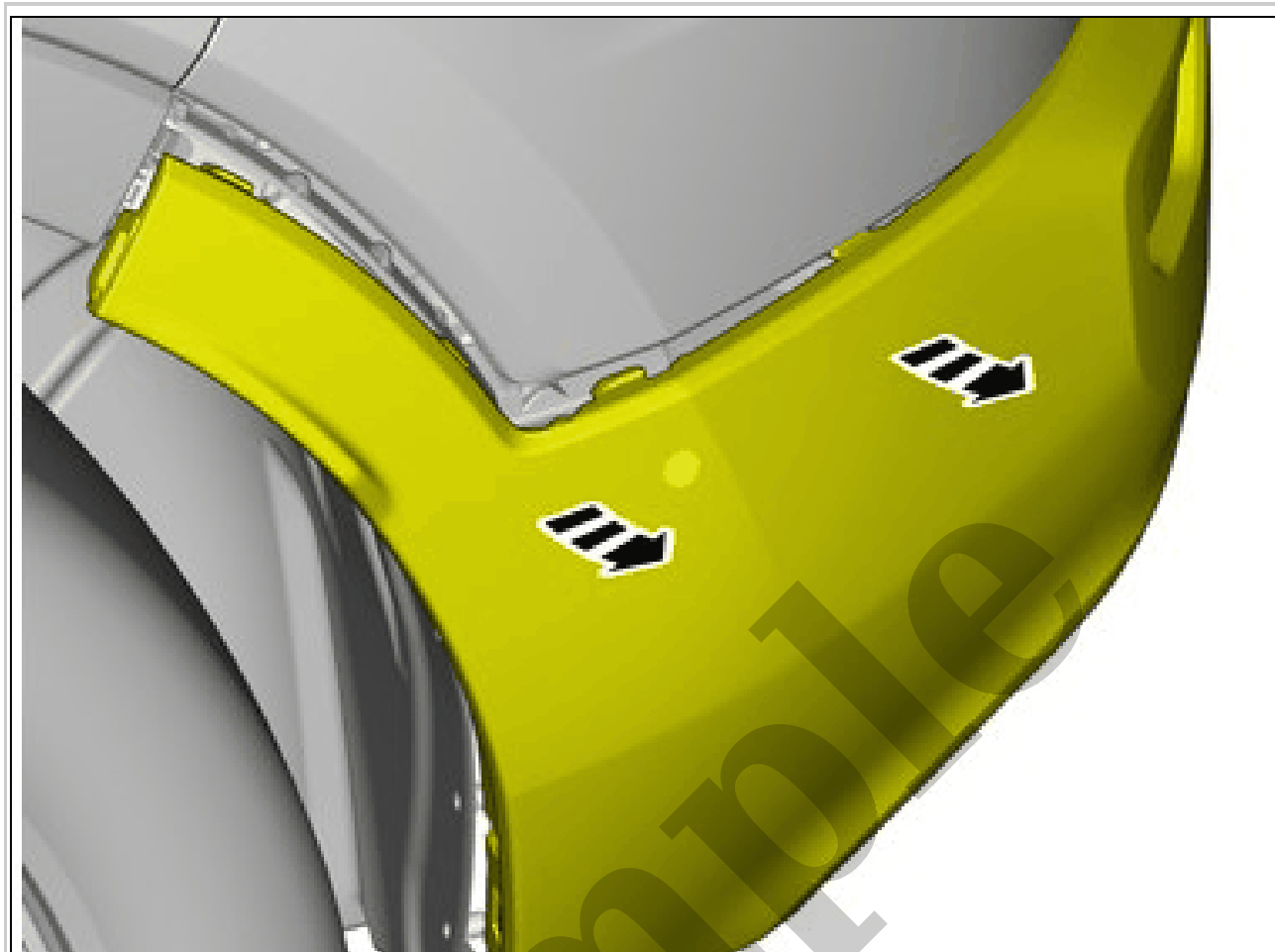
Courtesy of VOLVO CARS CORPORATION

Remove the screws.



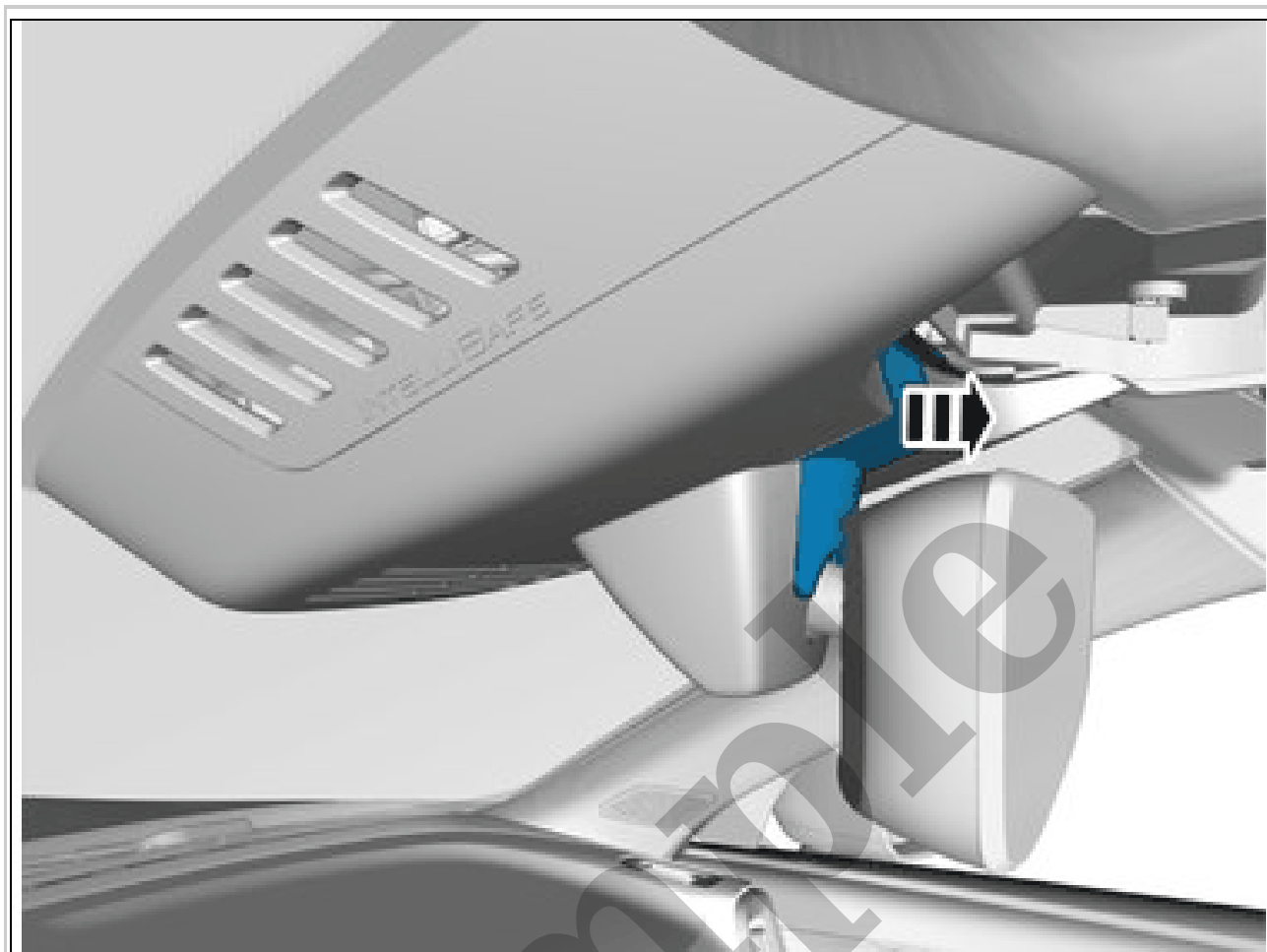
Courtesy of VOLVO CARS CORPORATION

Raise the car.
Disconnect the connector.



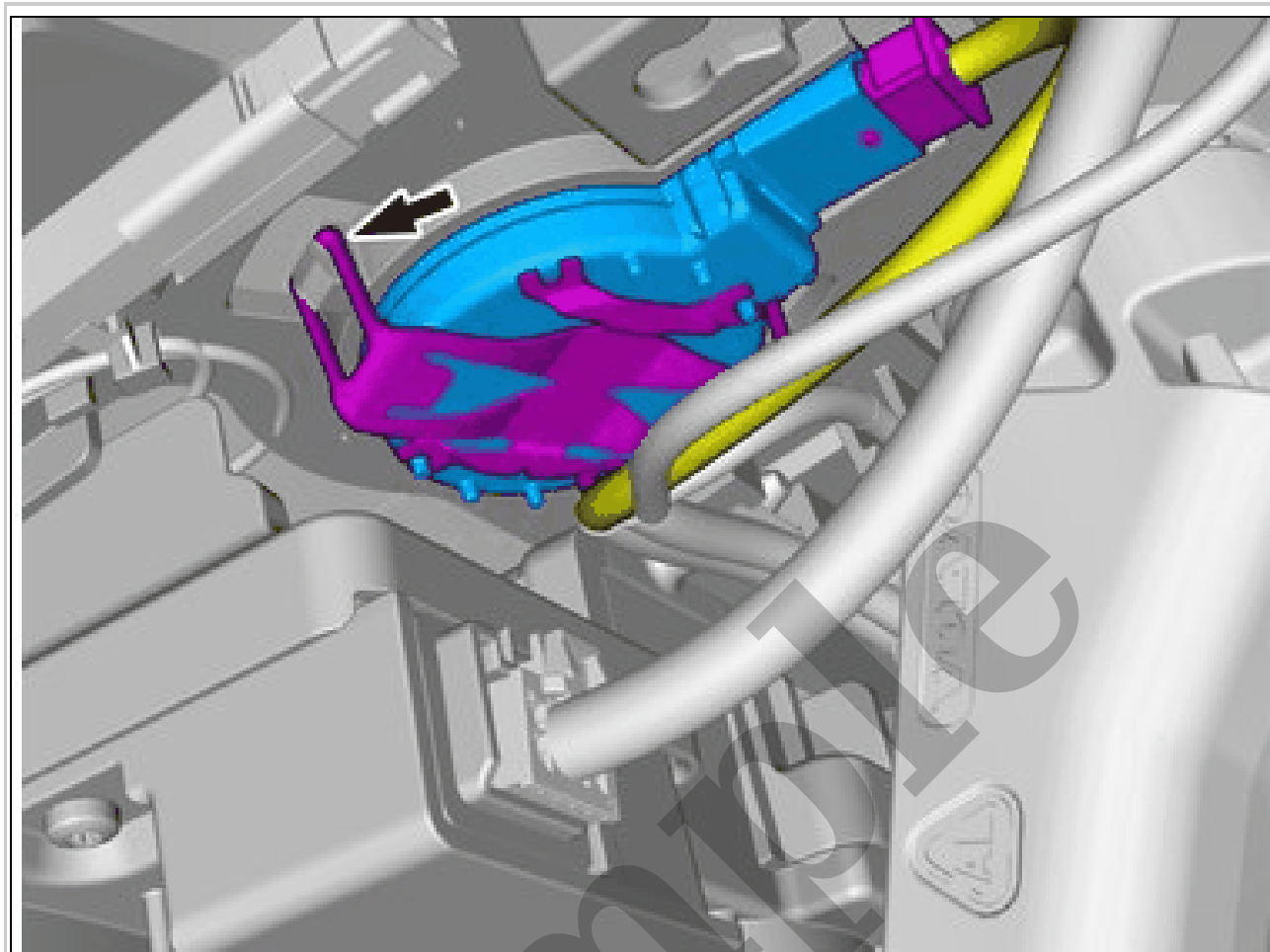
Courtesy of VOLVO CARS CORPORATION

Loosen the marked detail.
Fold marked part aside.



Courtesy of VOLVO CARS CORPORATION

Remove the marked part.



Courtesy of VOLVO CARS CORPORATION

Release the catch.
Repeat on the other side.
Remove the marked part.