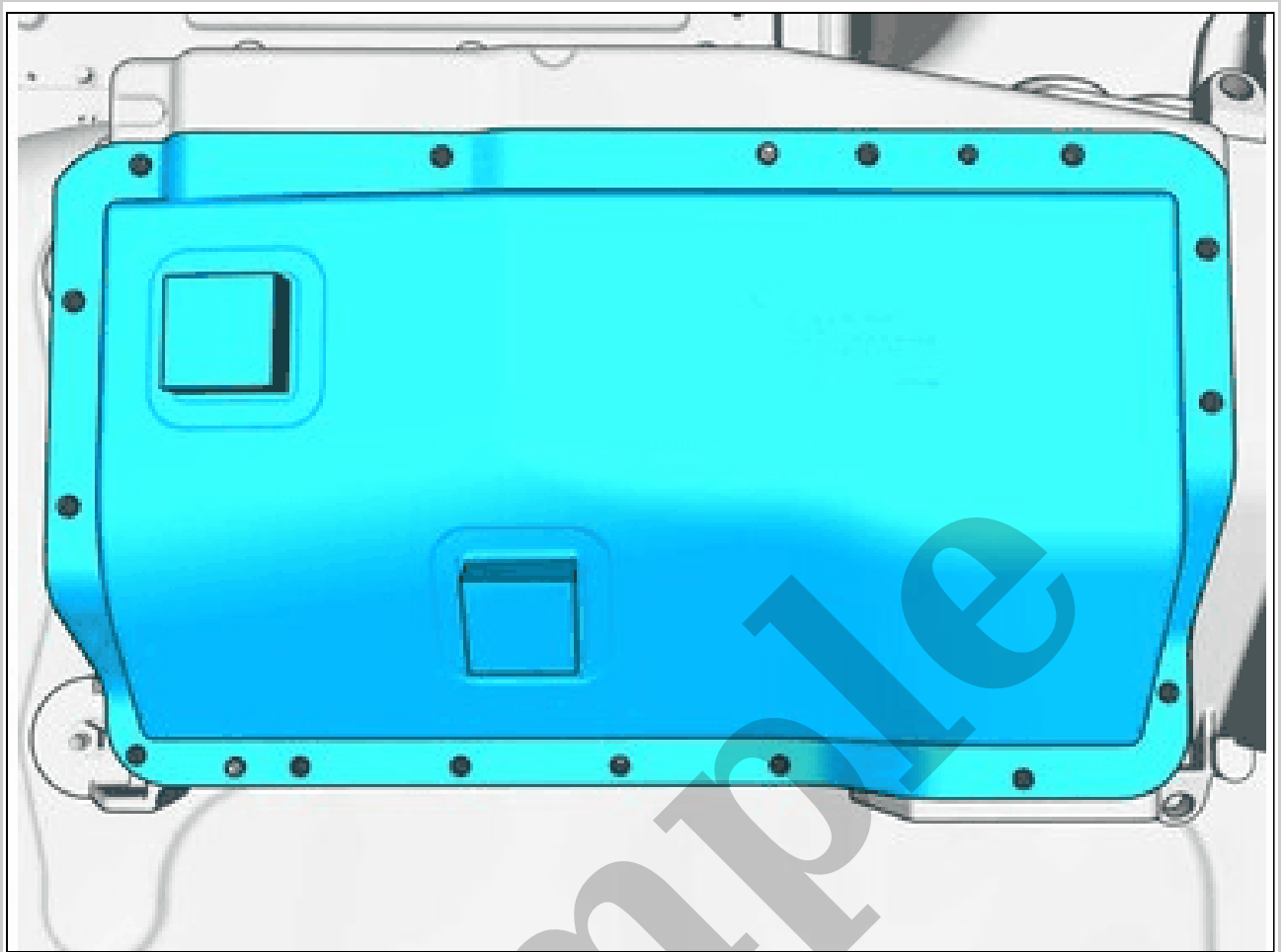


Your Ultimate Source for OEM Repair Manuals

FactoryManuals.net is a great resource for anyone who wants to save money on repairs by doing their own work. The manuals provide detailed instructions and diagrams that make it easy to understand how to fix a vehicle.

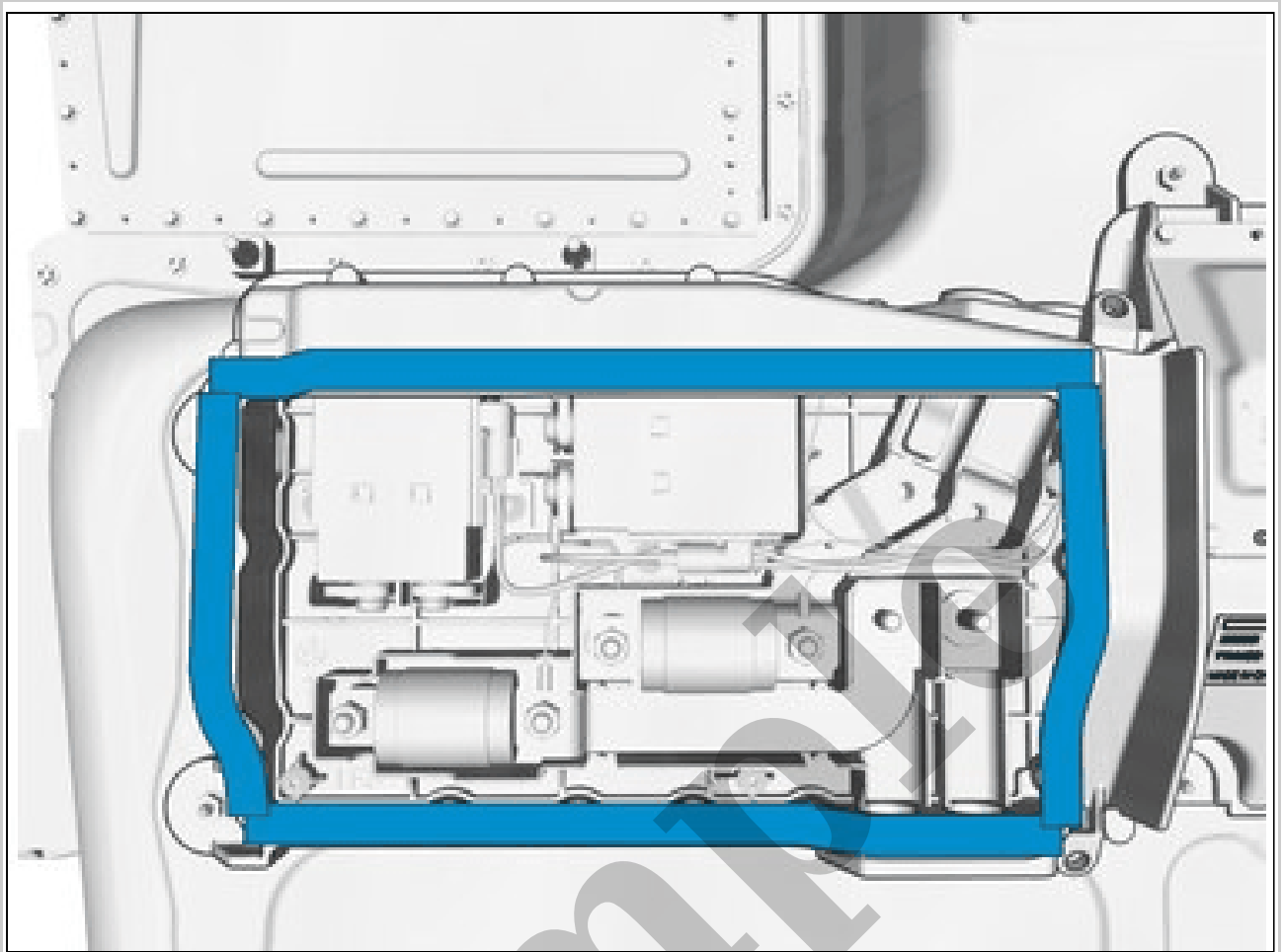
1988 VOLVO 780 OEM Service and Repair Workshop Manual

[Go to manual page](#)



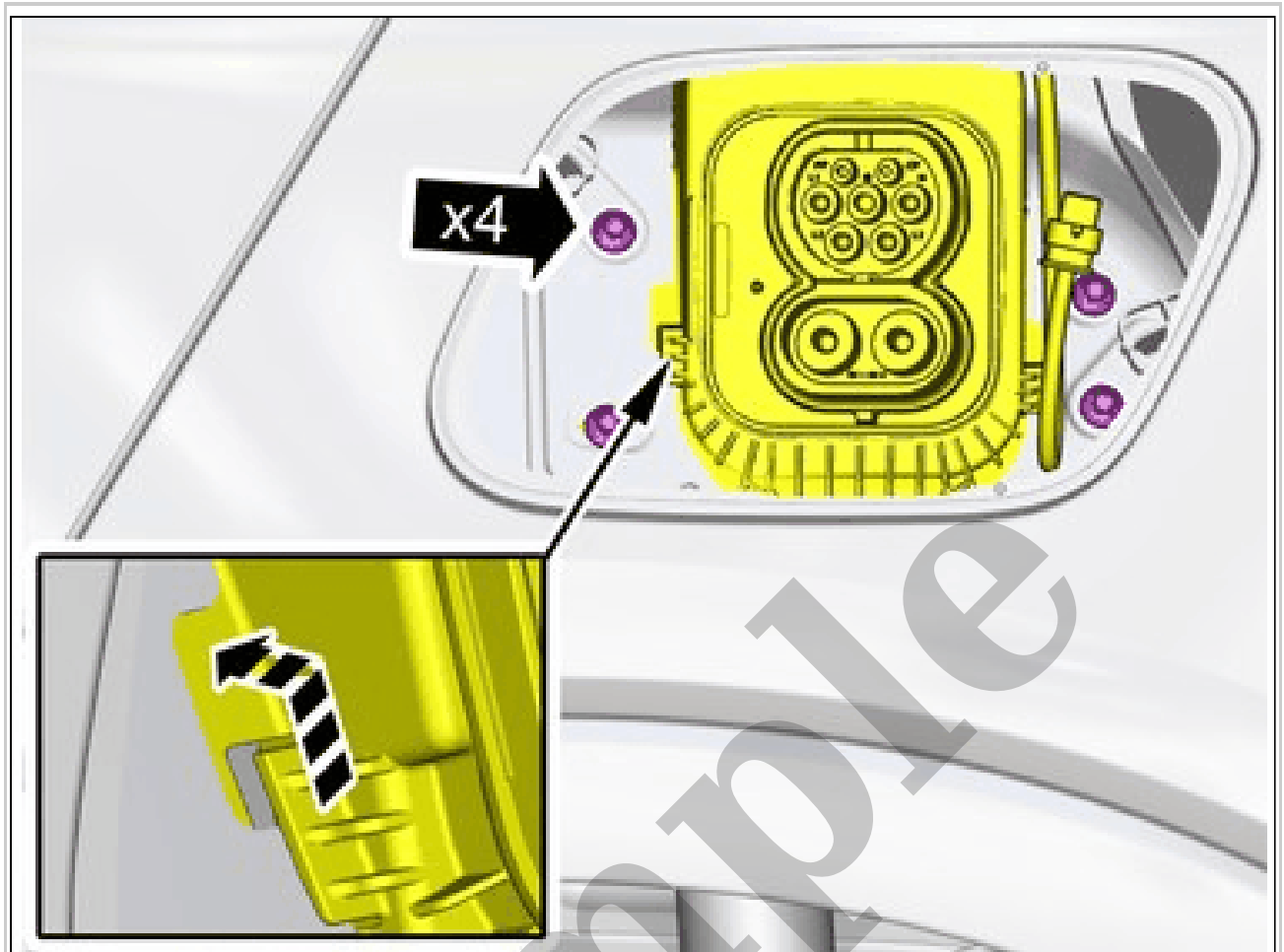
Courtesy of VOLVO CARS CORPORATION

Install the marked component.



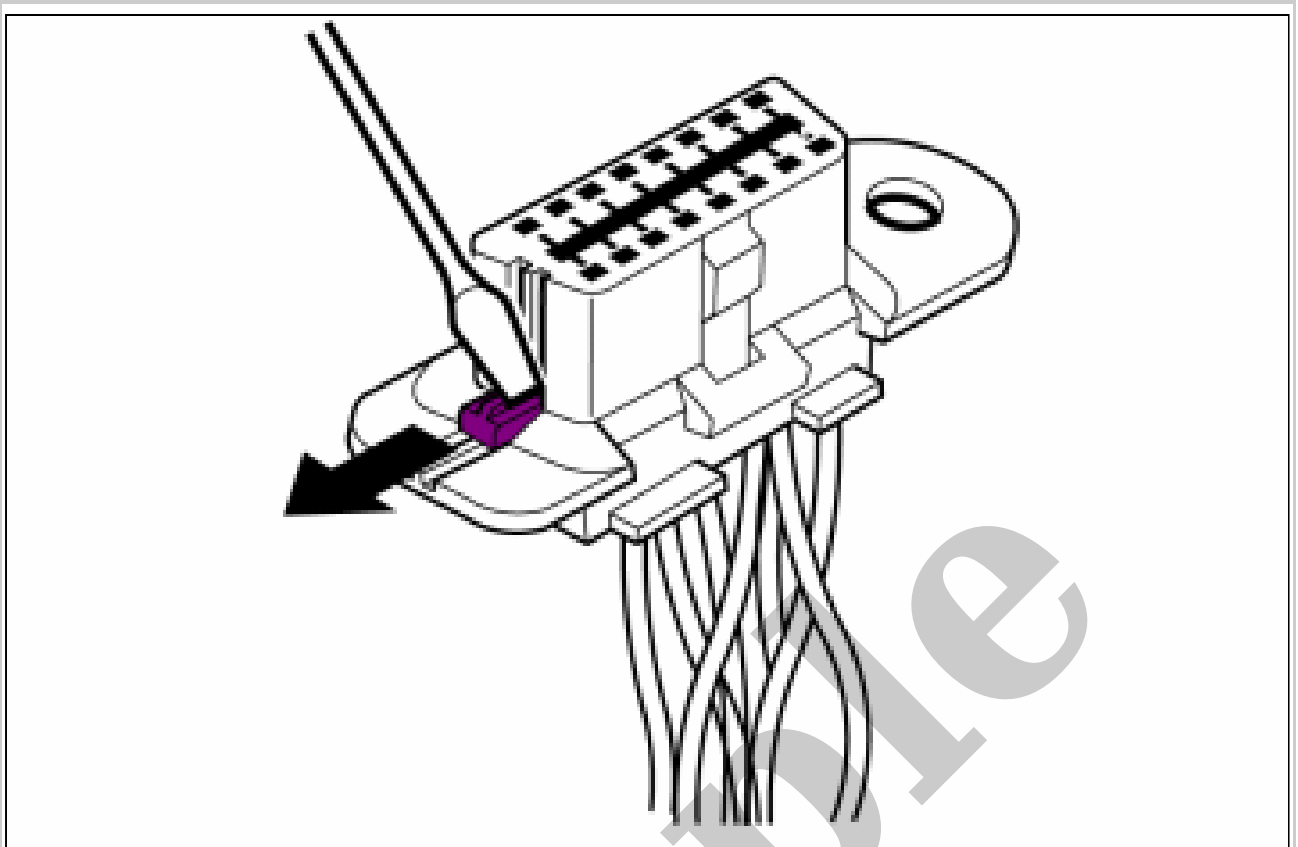
Courtesy of VOLVO CARS CORPORATION

Remove the protective film.



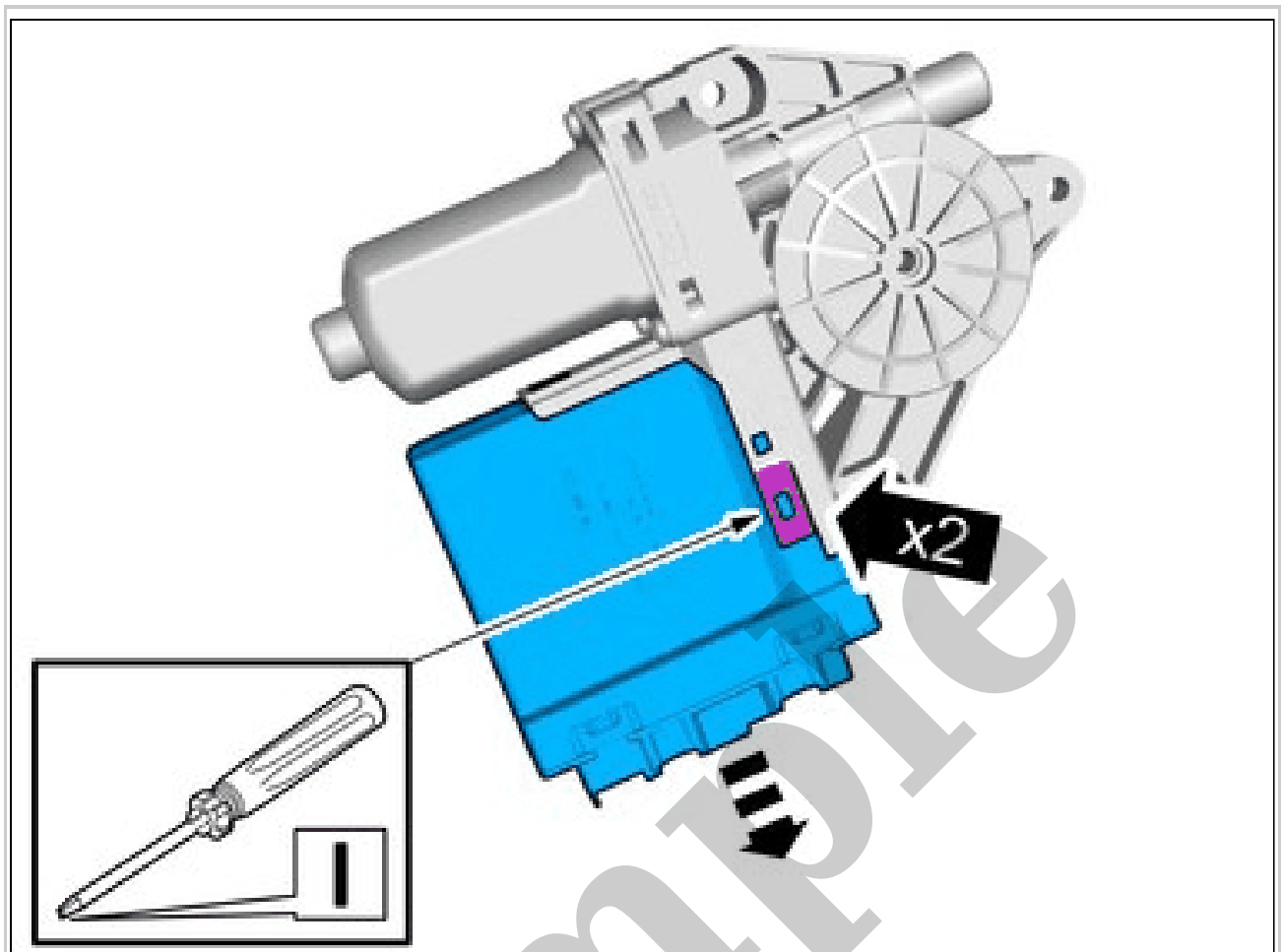
Courtesy of VOLVO CARS CORPORATION

Remove the screws.
Release the catches.
Fold marked part aside.
Torque: M5, 5Nm



Courtesy of VOLVO CARS CORPORATION

Release the catch.



Courtesy of VOLVO CARS CORPORATION

CAUTION: *Be careful not to damage the catches.*

Release the catches.

Remove the marked part.

Use: Electrician's screwdriver

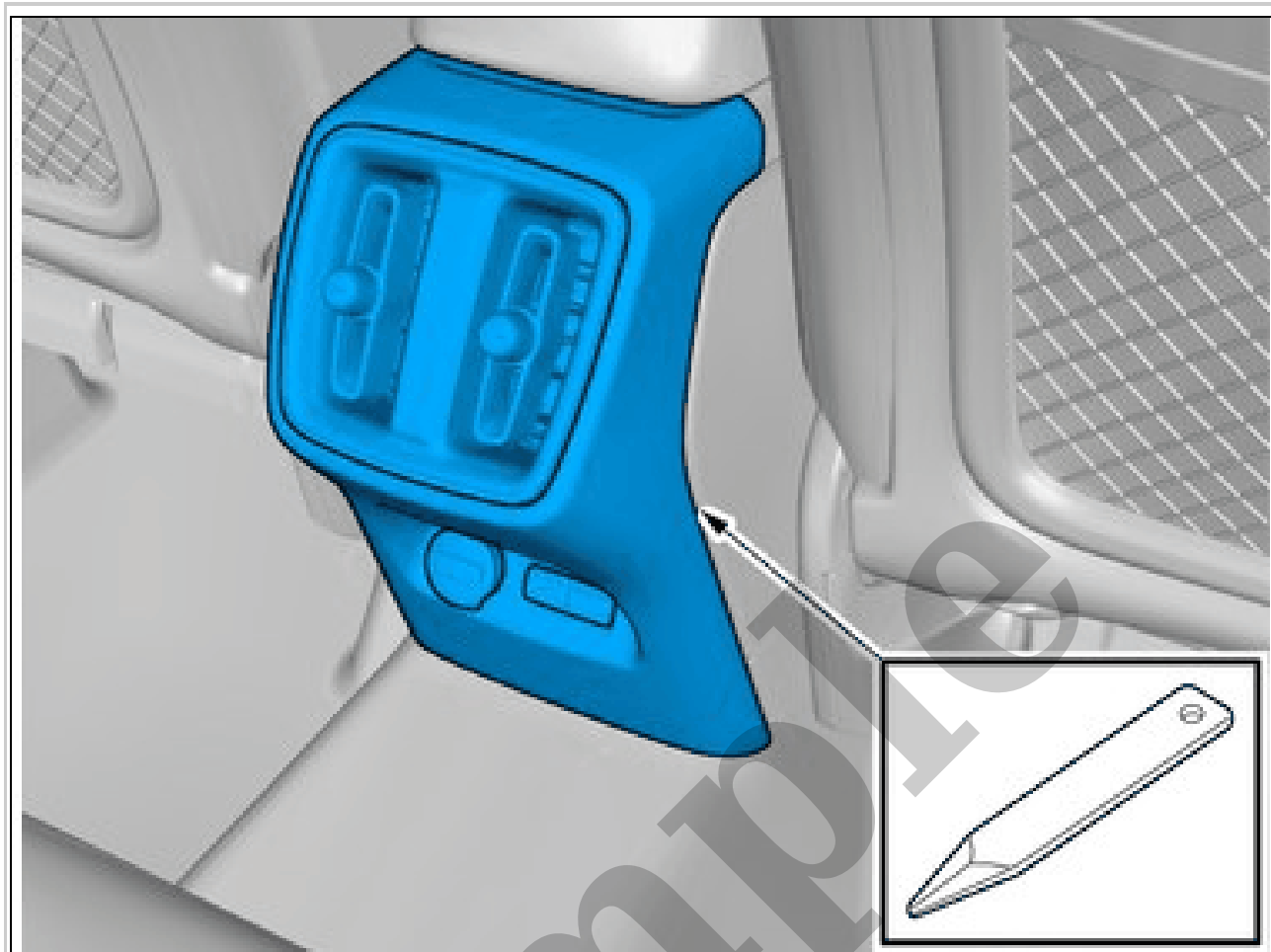
DRIVER DOOR MODULE > DRIVER DOOR MODULE (DDM) [2018-2022] > INSTALLATION

To install, reverse the removal procedure.

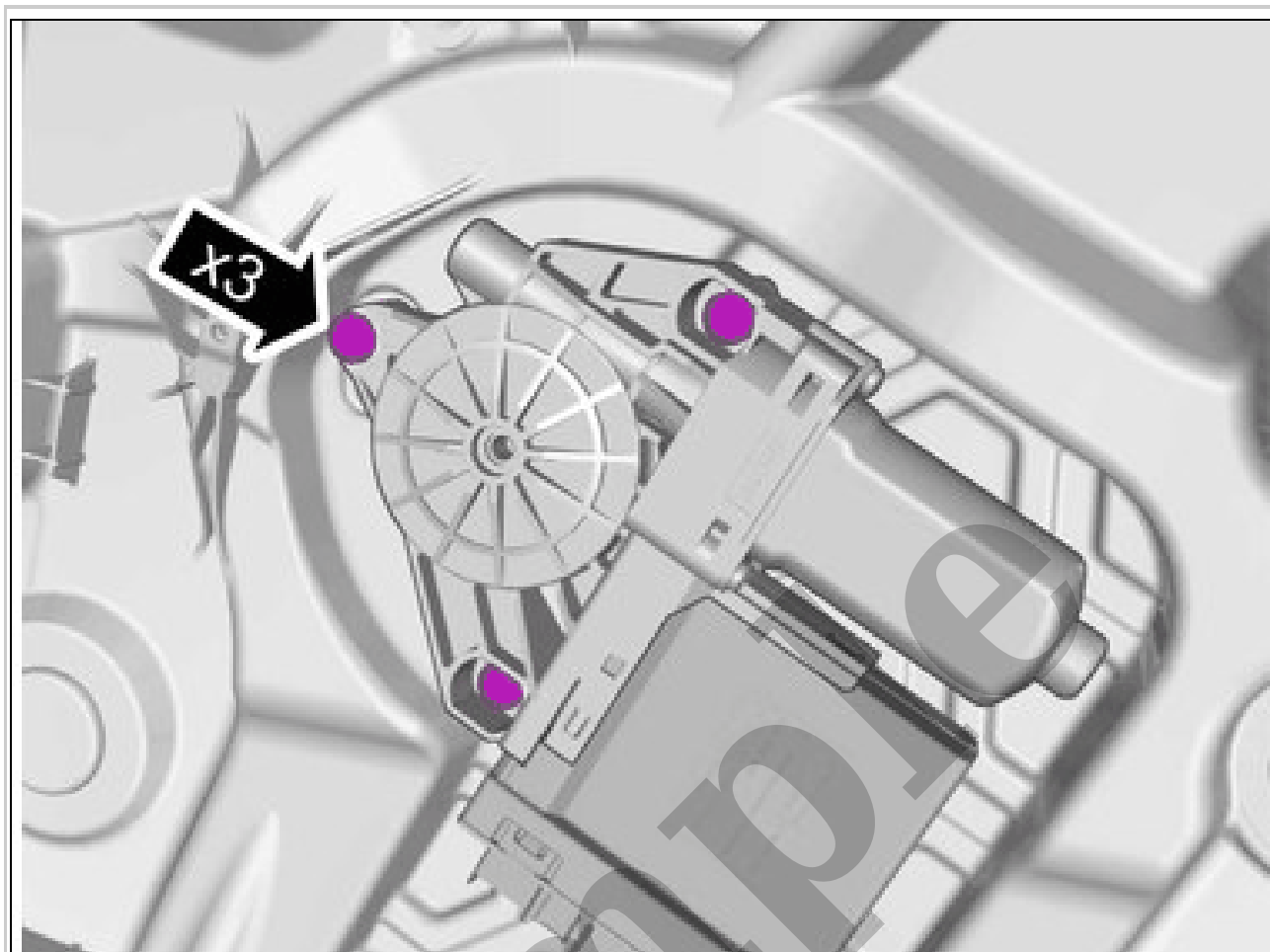
Perform power window motor, initiation. Refer to: DOOR WINDOW MOTOR INITIALIZATION

NOTE: *This step is only necessary when installing a new component.*

Order and download the appropriate software according to: VIDA/Software/Hardware Changes

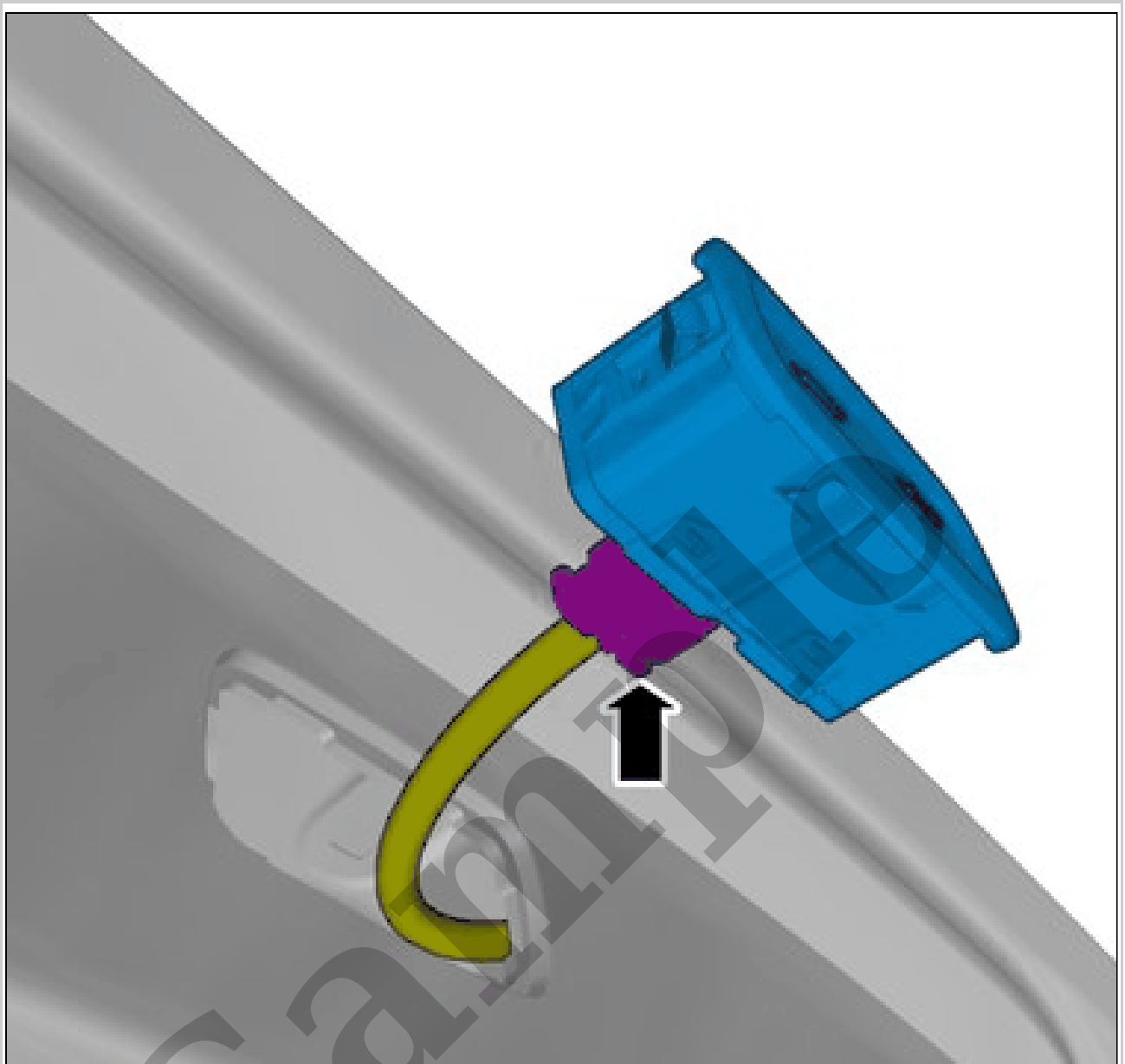


Courtesy of VOLVO CARS CORPORATION



Courtesy of VOLVO CARS CORPORATION

Remove the screws.



Courtesy of VOLVO CARS CORPORATION

Disconnect the connector.

POWER OPERATED TAILGATE SWITCH > POWER OPERATED TAILGATE SWITCH [2018-2022] > INSTALLATION

To install, reverse the removal procedure.

REAR DOOR MODULE RDM > REAR DOOR MODULE RDM [2018-2022] > REMOVAL

Set the vehicle to Inactive mode, described in user mode. Refer to: USAGE MODE

Remove panel side door rear. Refer to: PANEL REAR DOOR

VIDA/Software/All/DDM Reload

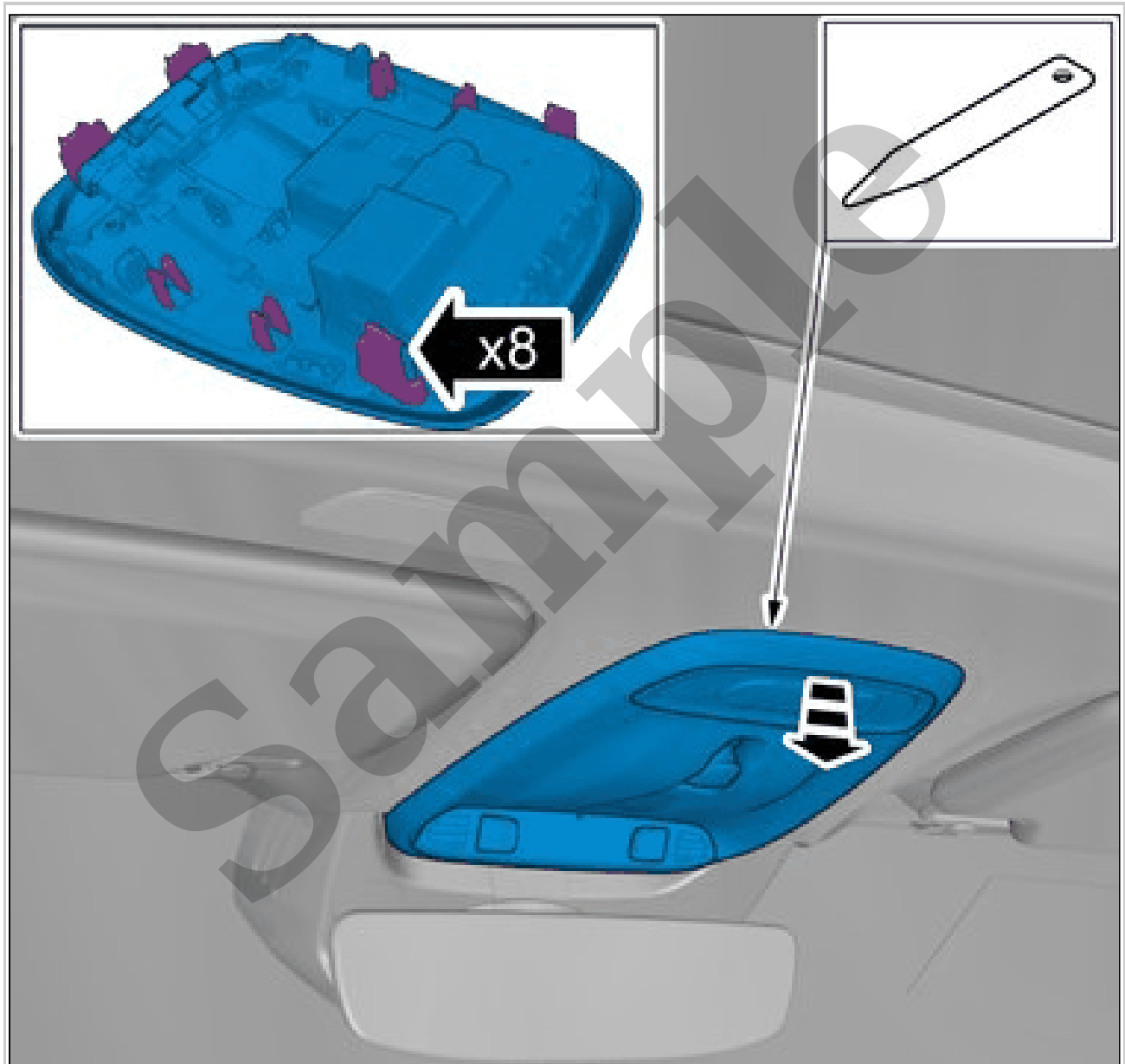
APPLIES TO THE PASSENGER SIDE

VIDA/Software/All/PDM Reload

Perform power window motor, initiation. Refer to: DOOR WINDOW MOTOR INITIALIZATION

ROTARY SWITCH, SUN ROOF > ROTARY SWITCH, SUN ROOF [2018-2022] > REMOVAL

Set the vehicle to Inactive mode, described in user mode. Refer to: USAGE MODE



Courtesy of VOLVO CARS CORPORATION

Remove the marked part.