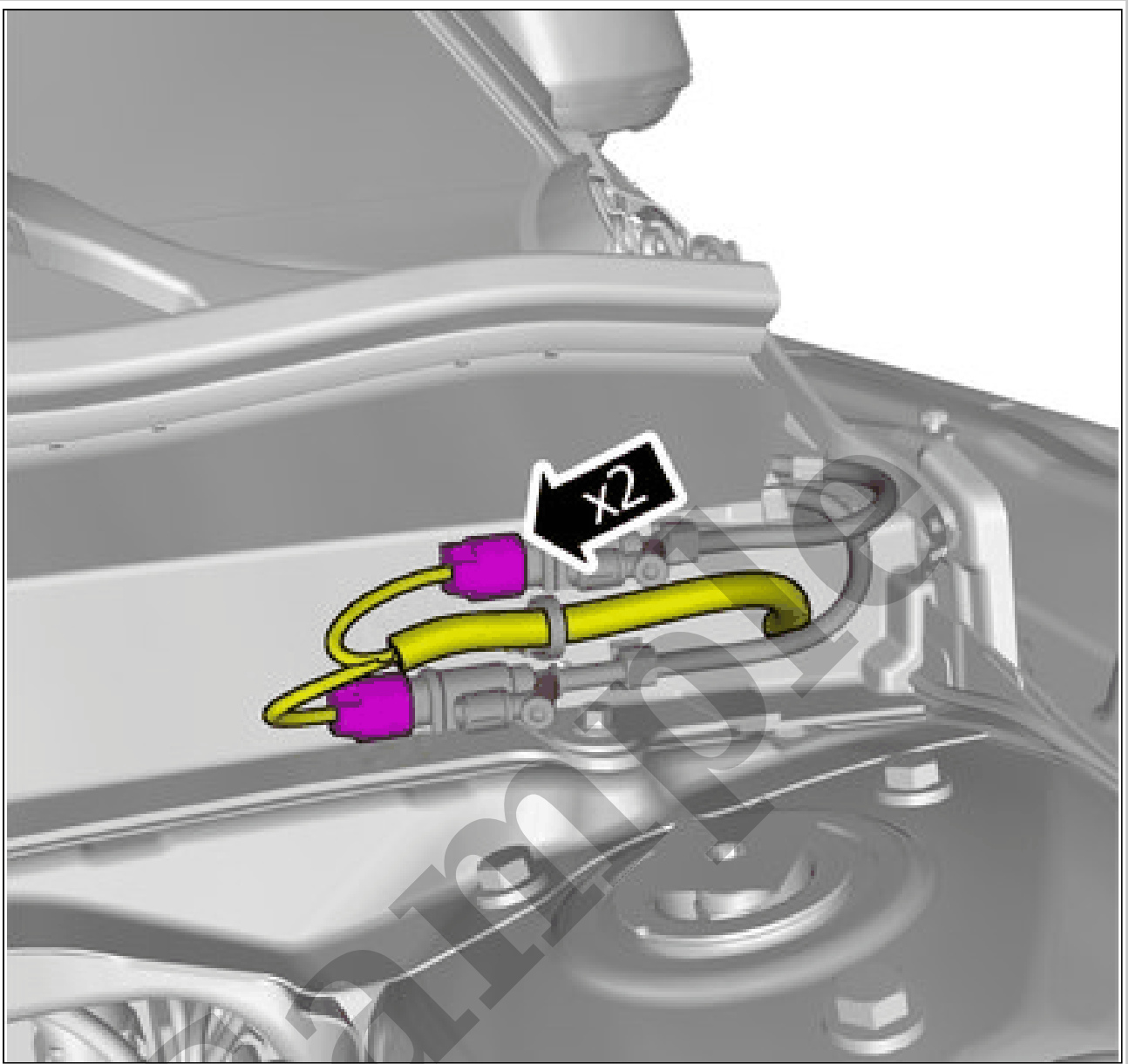


Your Ultimate Source for OEM Repair Manuals

FactoryManuals.net is a great resource for anyone who wants to save money on repairs by doing their own work. The manuals provide detailed instructions and diagrams that make it easy to understand how to fix a vehicle.

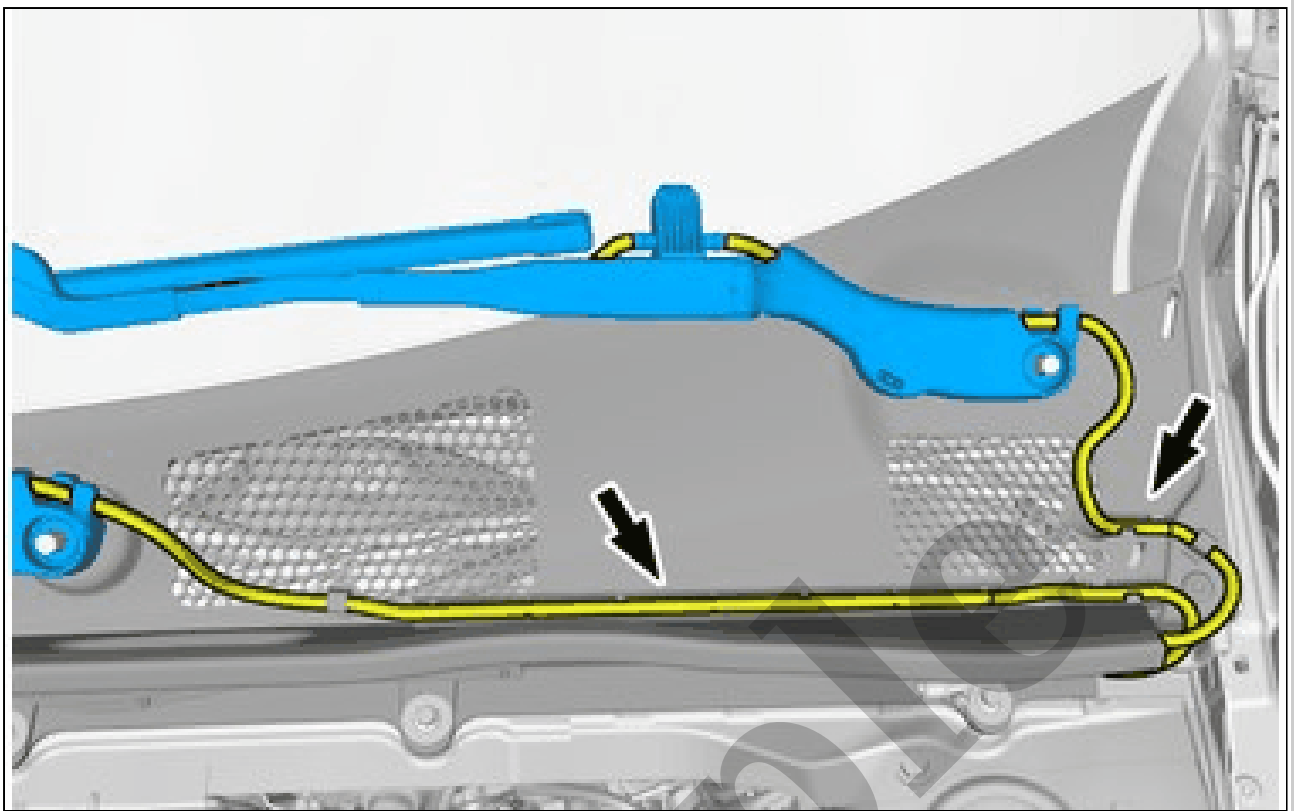
1988 VOLVO 760 OEM Service and Repair Workshop Manual

[Go to manual page](#)



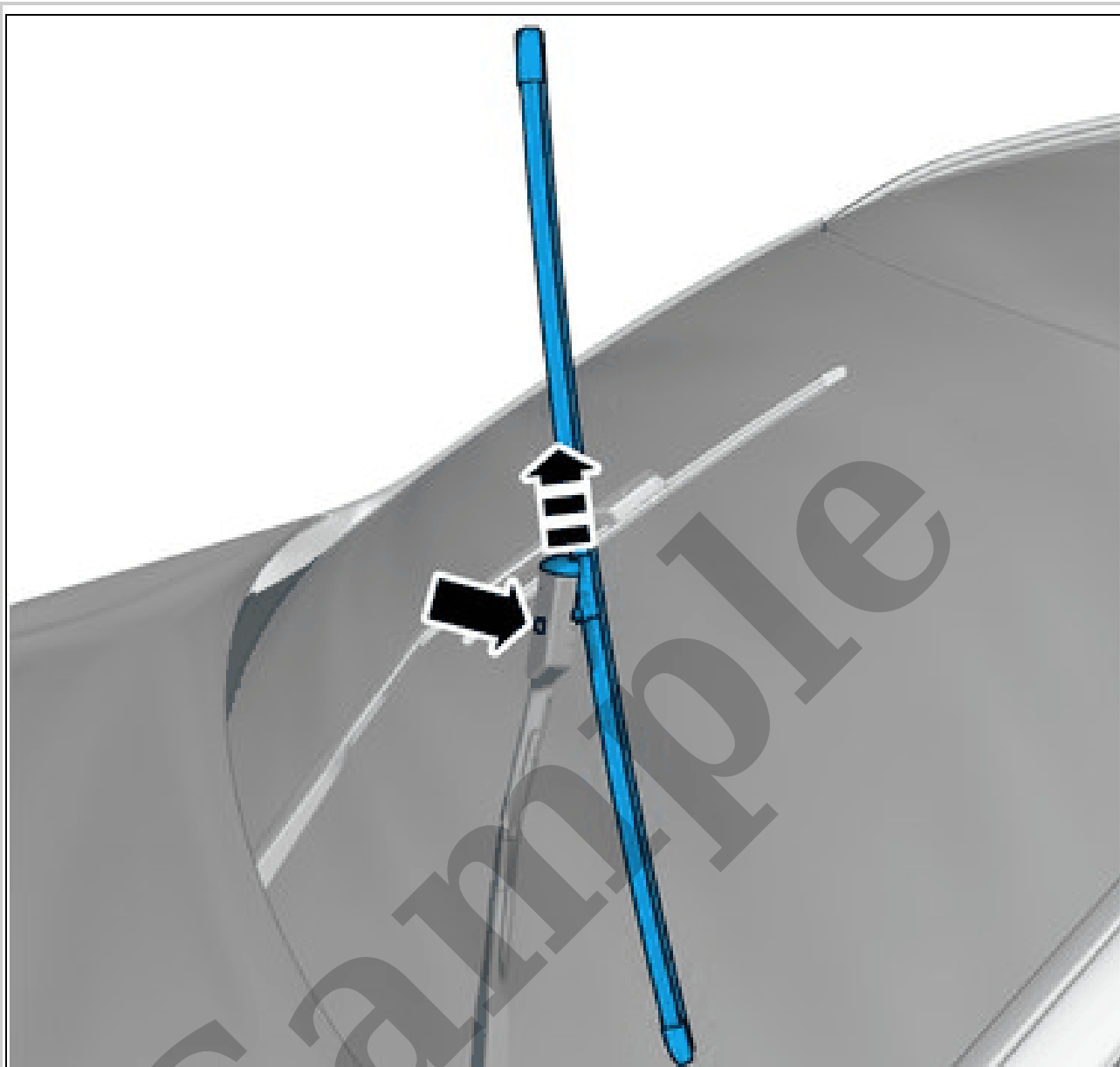
Courtesy of VOLVO CARS CORPORATION

Disconnect the connectors.



Courtesy of VOLVO CARS CORPORATION

CAUTION: Note the routing of the lines and hoses.



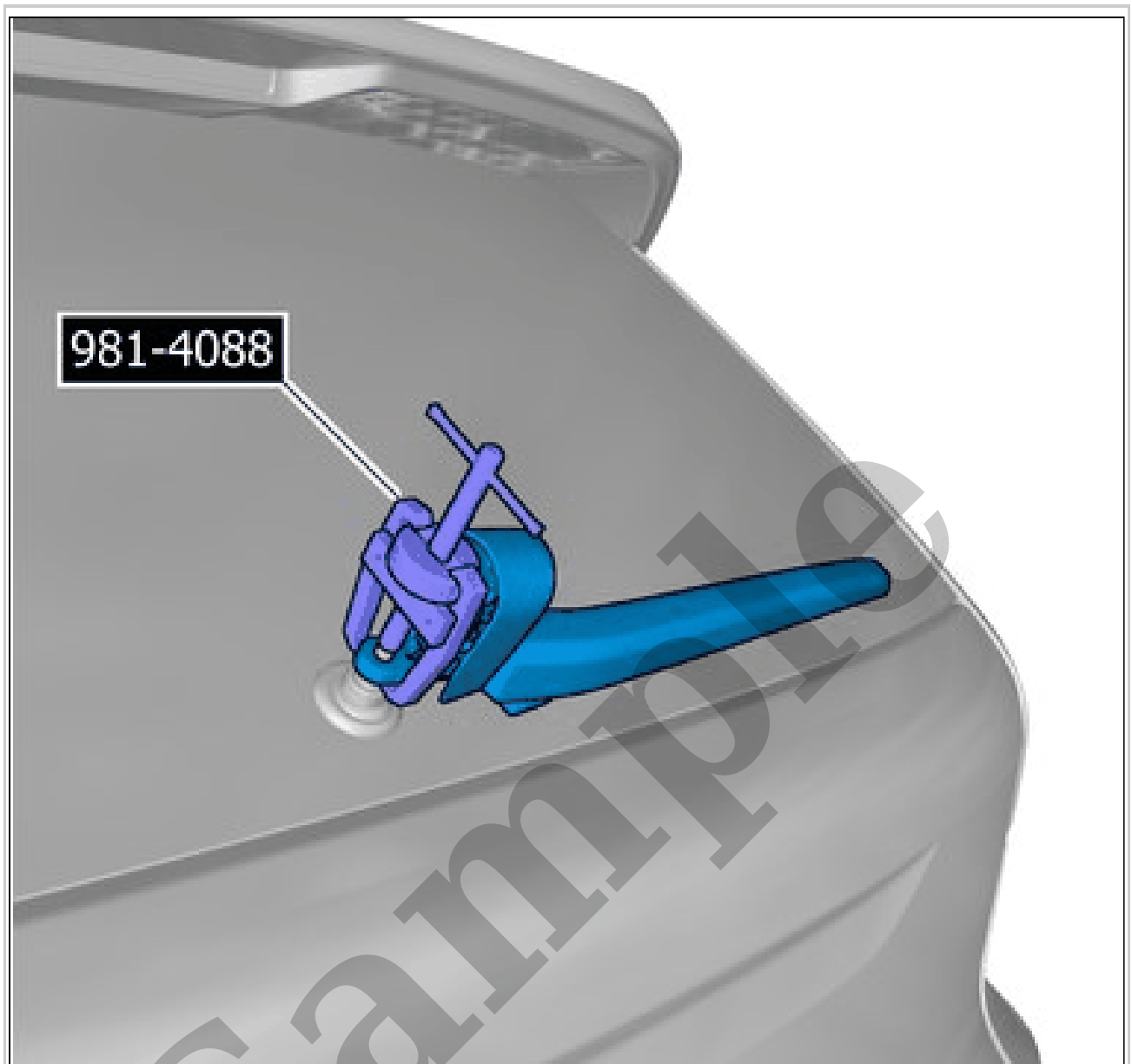
Courtesy of VOLVO CARS CORPORATION

Release the lock.
Remove the marked part.

WIPER BLADE > WIPER BLADE [2018-2022] > INSTALLATION

To install, reverse the removal procedure.

WIPER MECHANISM, WINDSHIELD > WIPER MECHANISM, WINDSHIELD [2018-2022] > REMOVAL



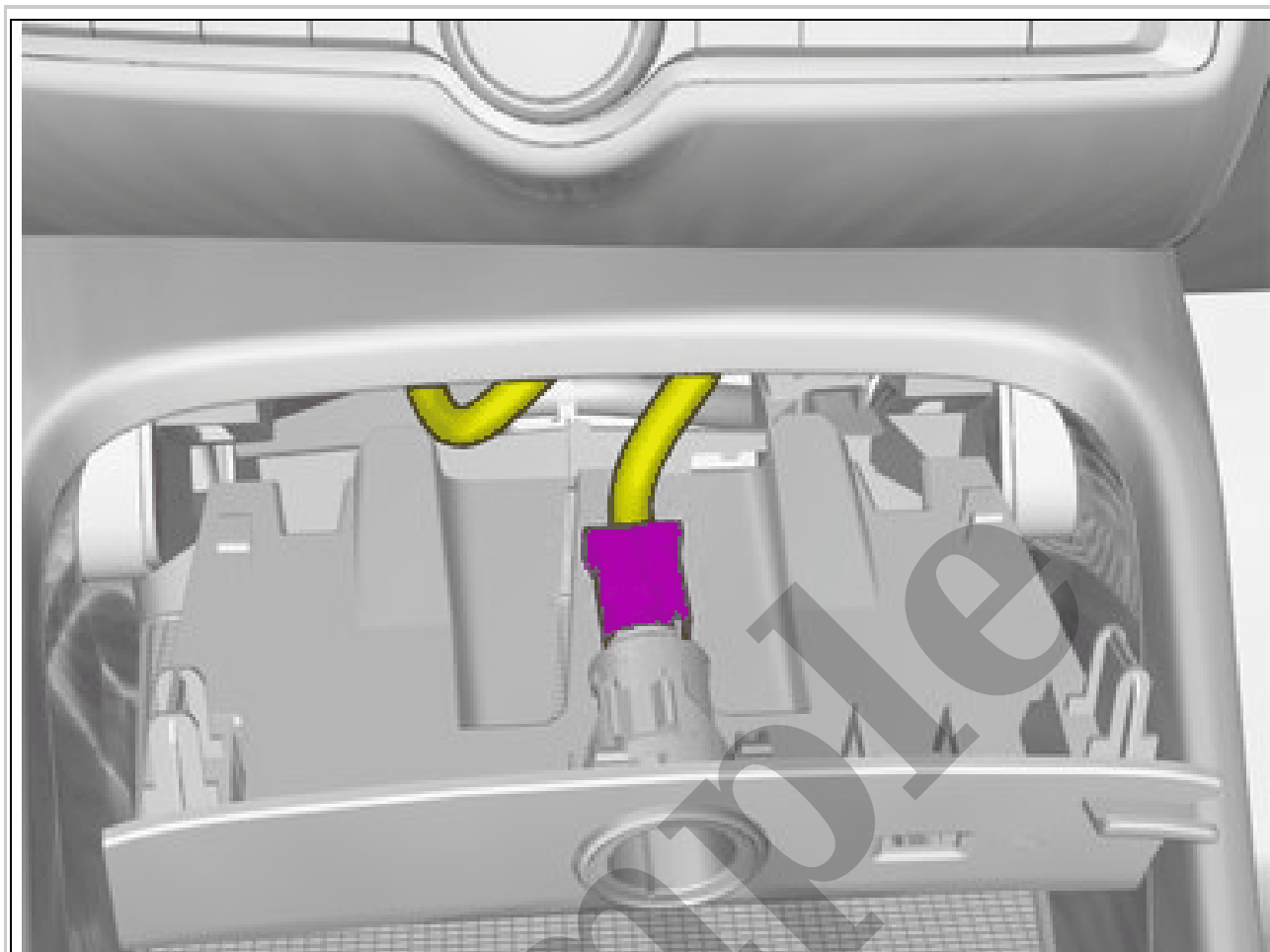
Courtesy of VOLVO CARS CORPORATION

Special Tool: 981 4088 Puller

Remove the marked part.

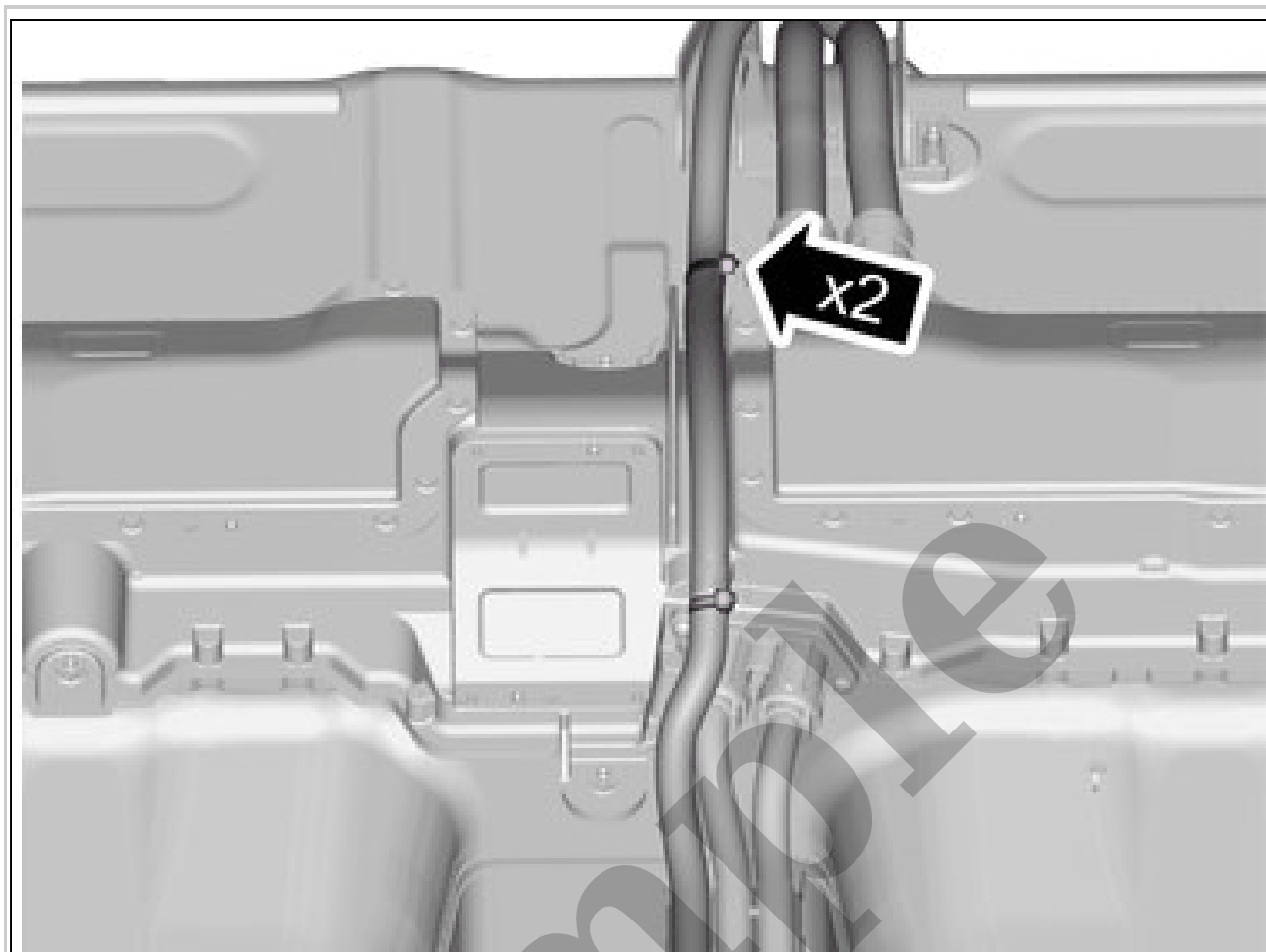
Remove the tailgate/trunk lid trim panel. Refer to: TAILGATE/TRUNK LID PANEL

Set the vehicle to Inactive mode, described in user mode. Refer to: USAGE MODE



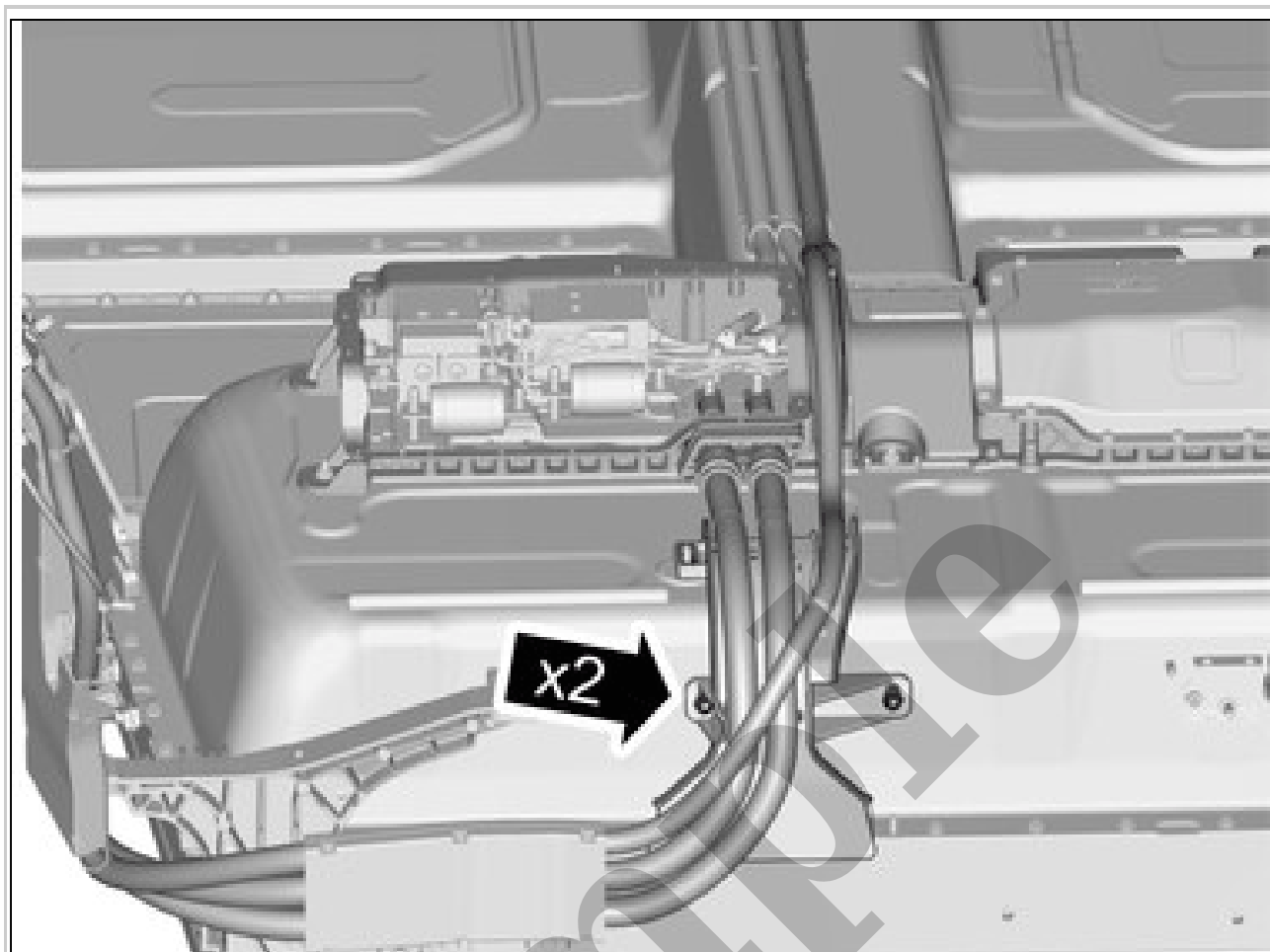
Courtesy of VOLVO CARS CORPORATION

Disconnect the connector.



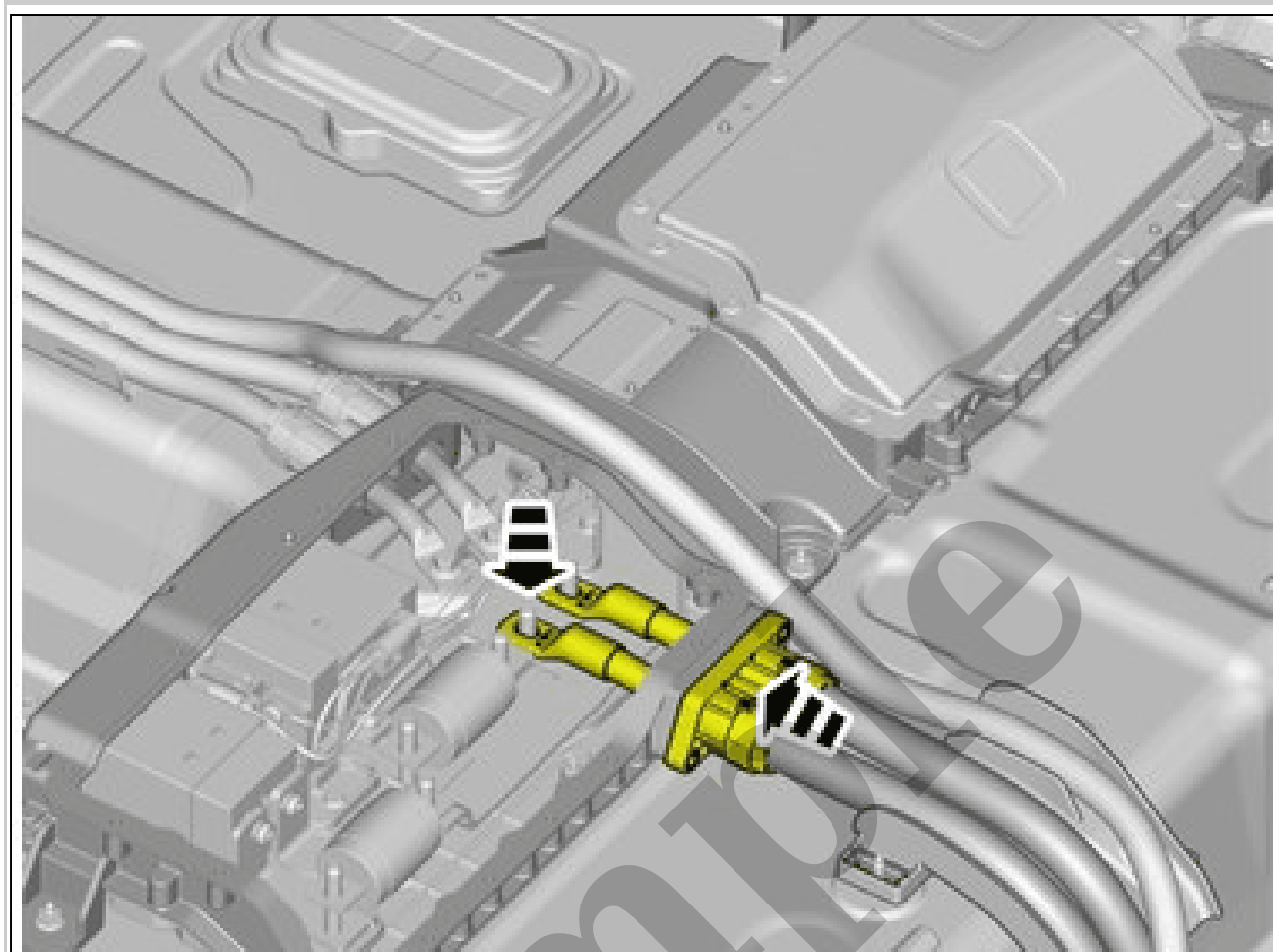
Courtesy of VOLVO CARS CORPORATION

Remove the clips.



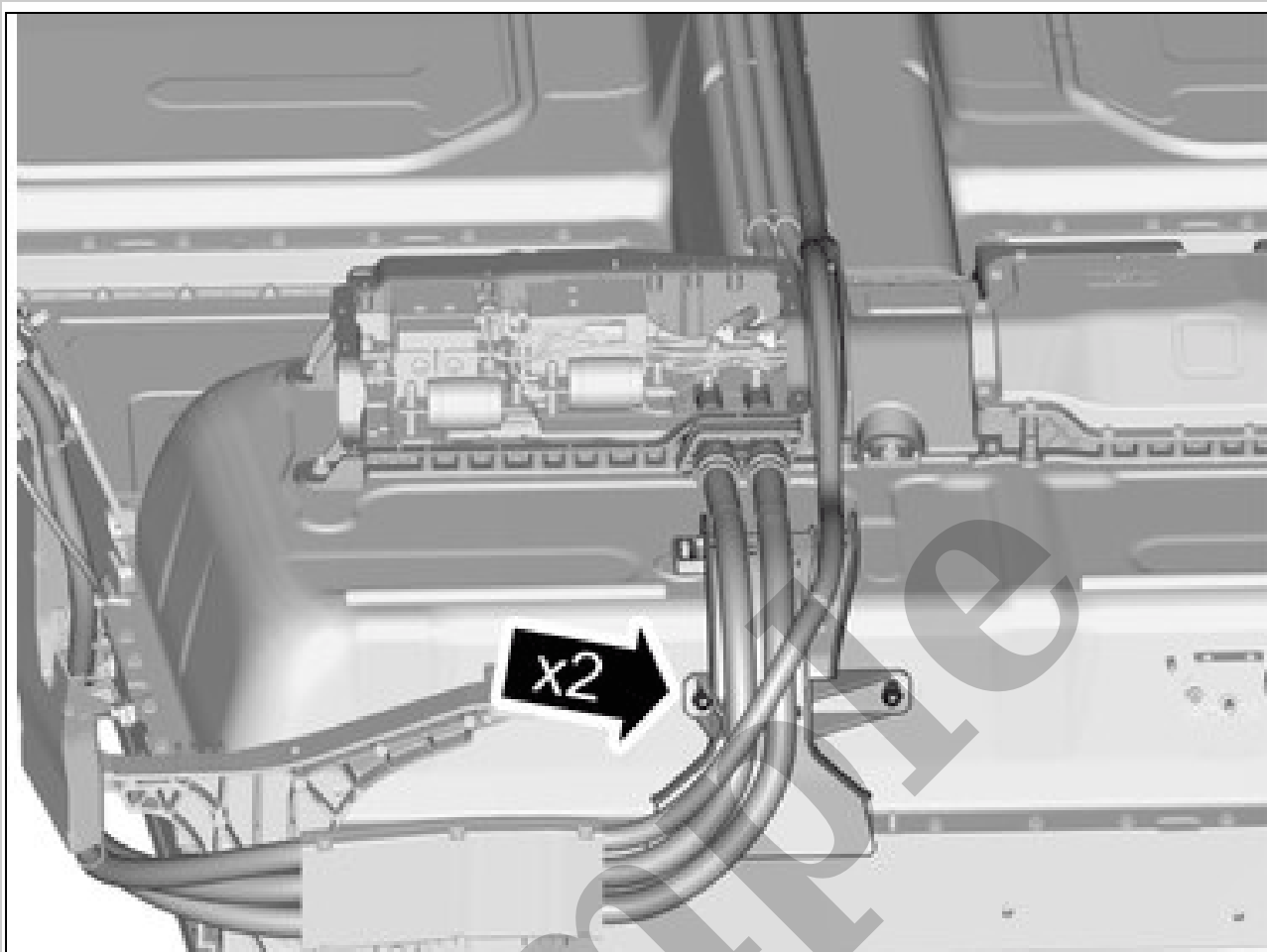
Courtesy of VOLVO CARS CORPORATION

Remove the nuts.



Courtesy of VOLVO CARS CORPORATION

Install the marked components.



Courtesy of VOLVO CARS CORPORATION

Install the nuts

Torque: M6, 10Nm