

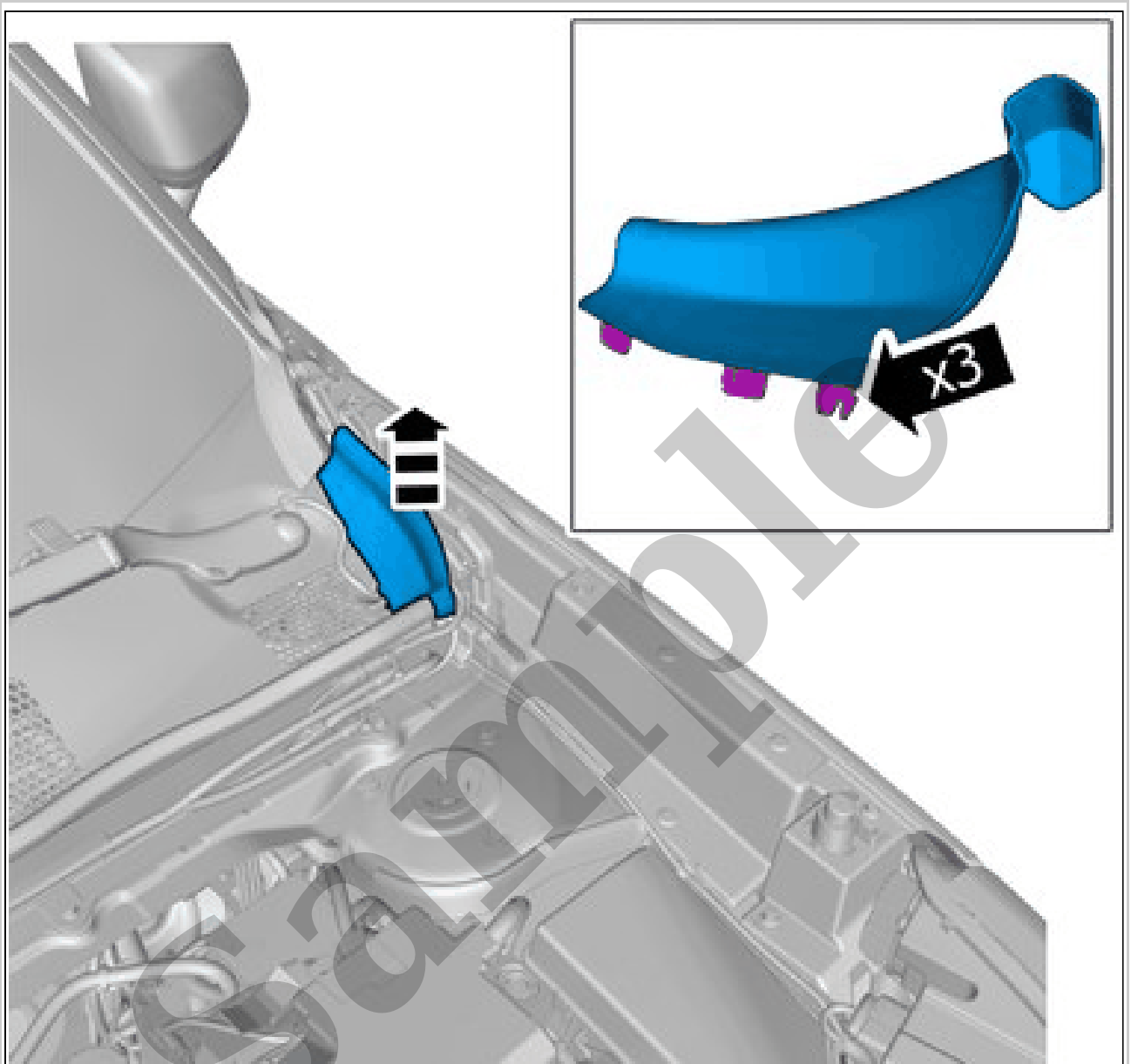
# Your Ultimate Source for OEM Repair Manuals

FactoryManuals.net is a great resource for anyone who wants to save money on repairs by doing their own work. The manuals provide detailed instructions and diagrams that make it easy to understand how to fix a vehicle.

## 1988 VOLVO 760 Estate OEM Service and Repair Workshop Manual

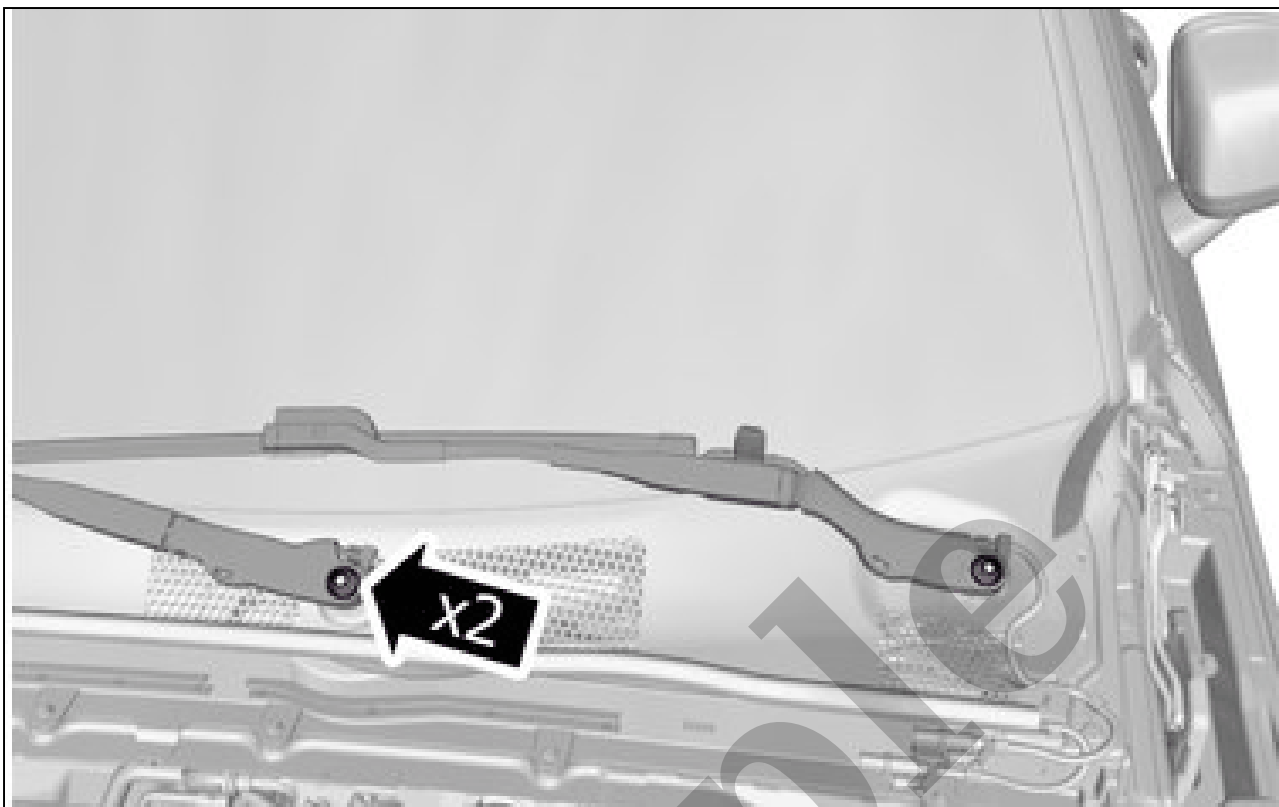
[Go to manual page](#)

installation details.



Courtesy of VOLVO CARS CORPORATION

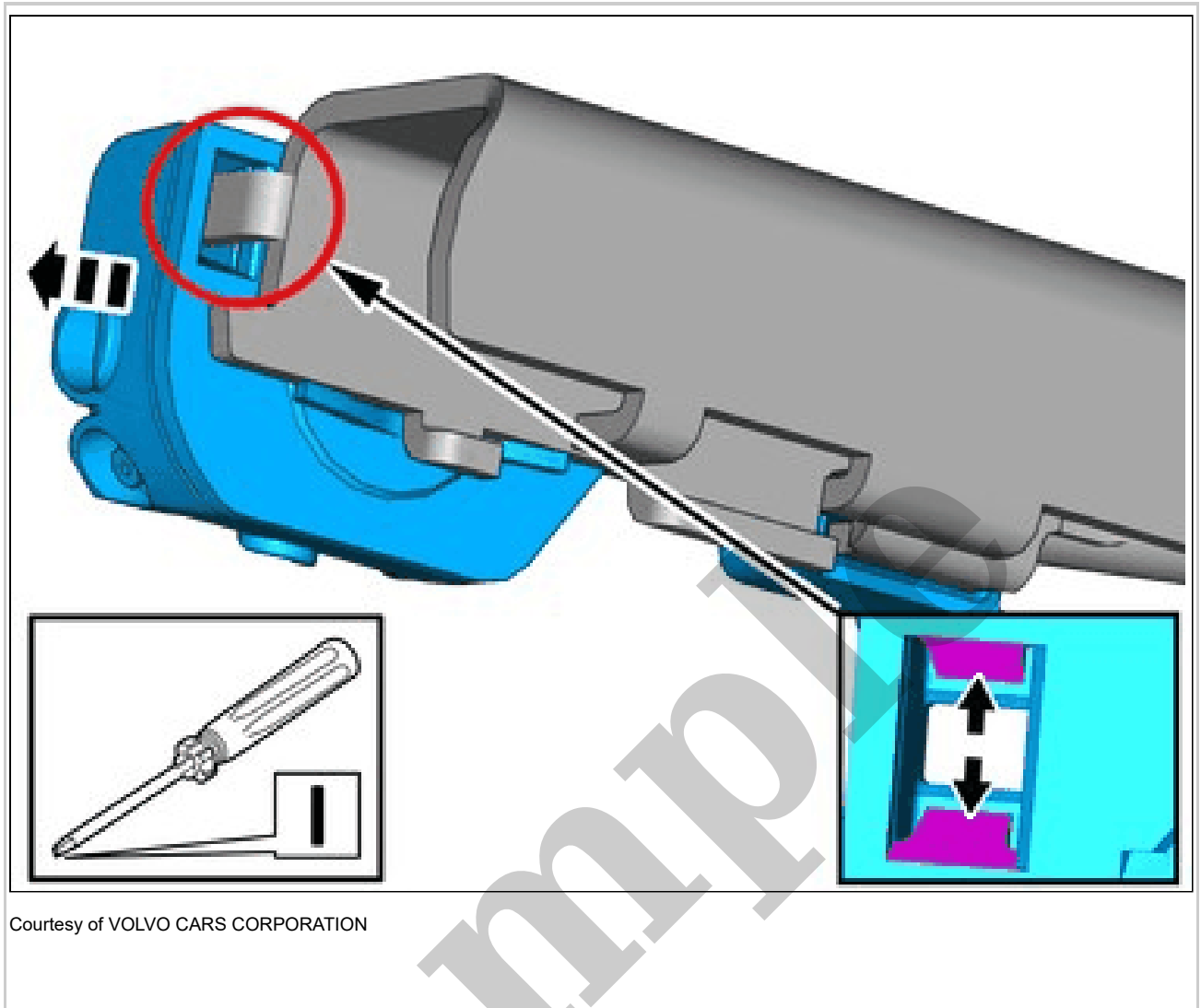
Remove the marked part.



Courtesy of VOLVO CARS CORPORATION

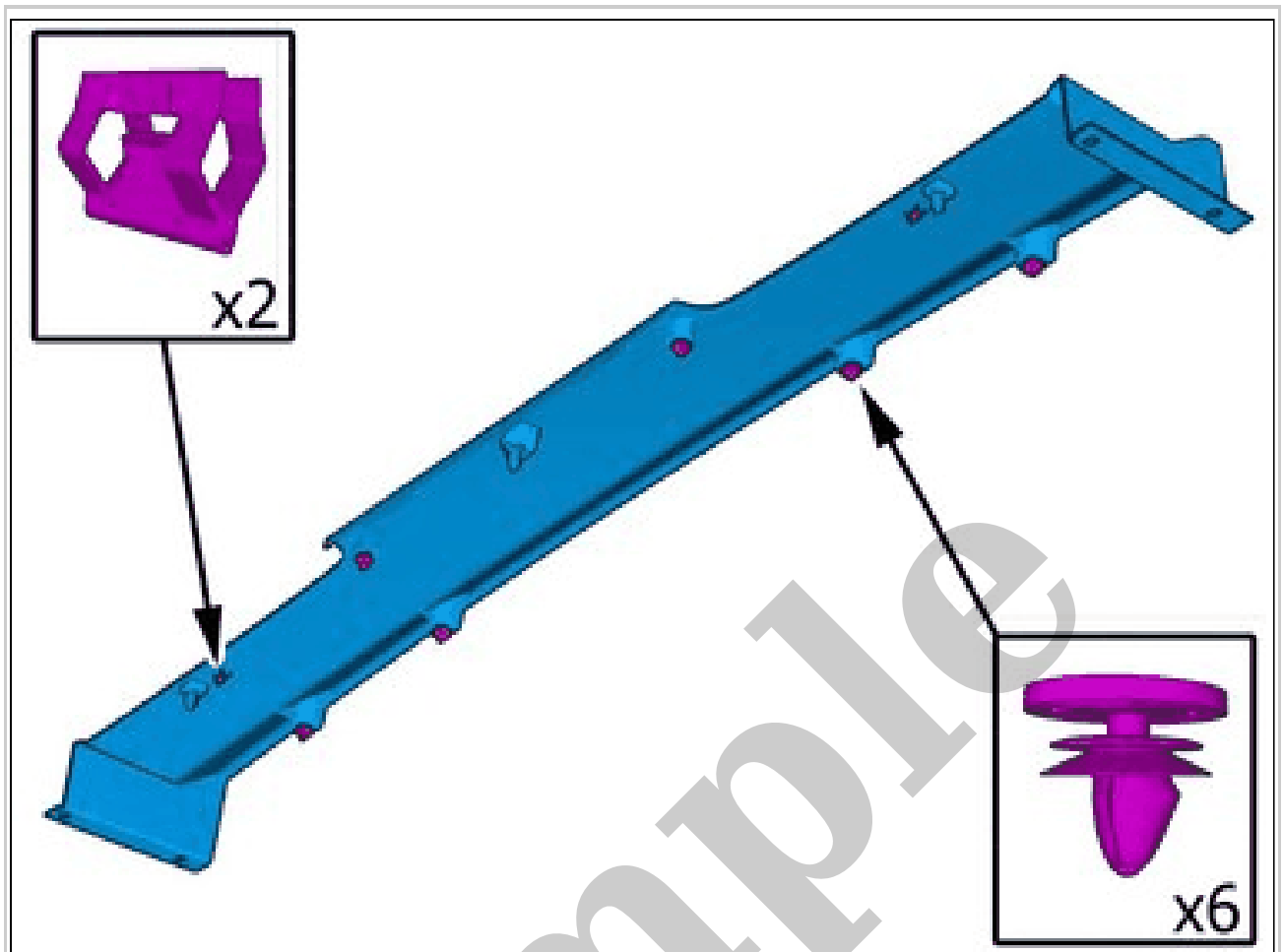
Remove the nuts.

**Torque:** Windshield wiper arm, 28Nm



Courtesy of VOLVO CARS CORPORATION

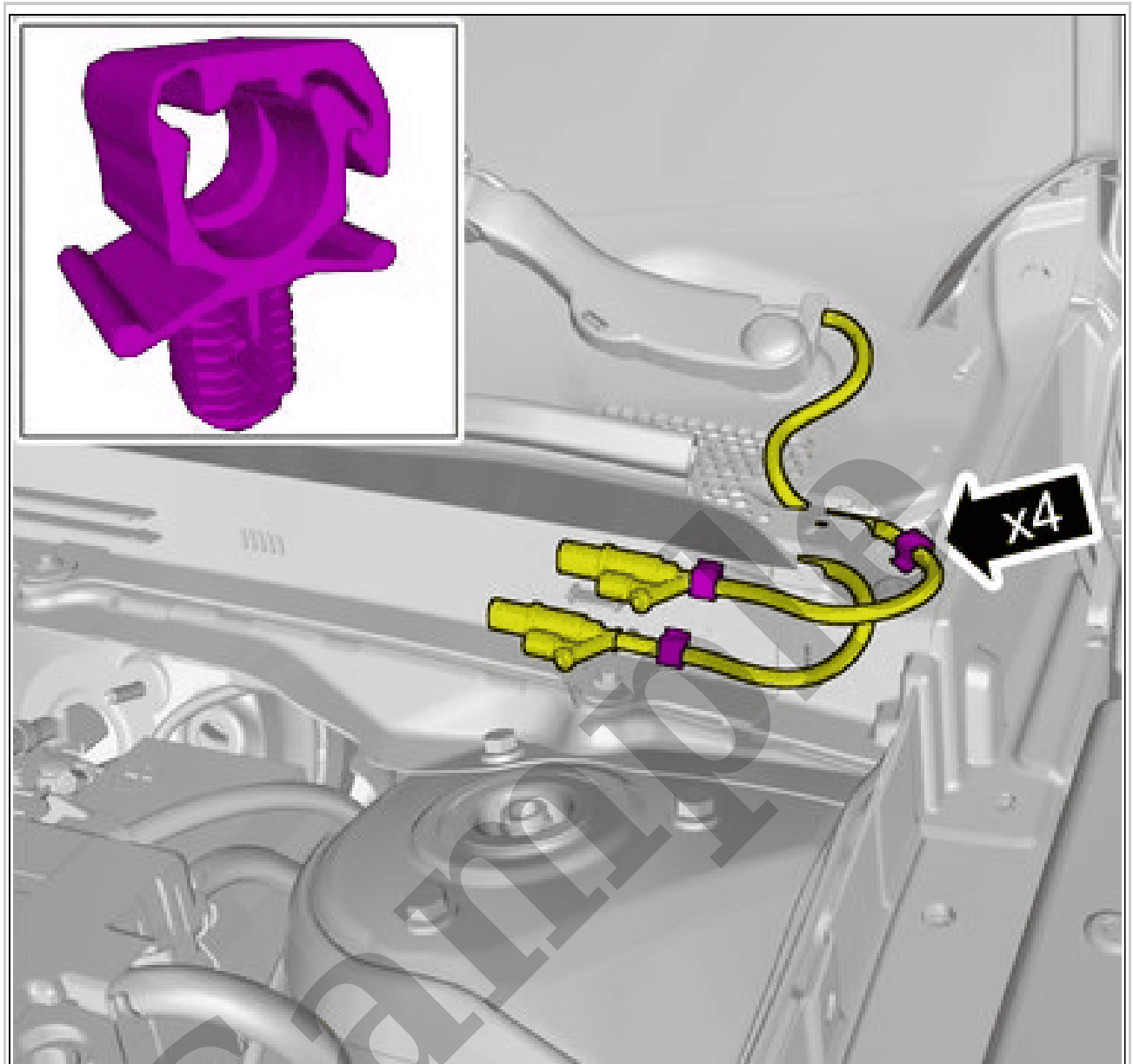
Release the catches.  
Loosen the component indicated. Do not remove it.  
**Use:** Electrician's screwdriver



Courtesy of VOLVO CARS CORPORATION

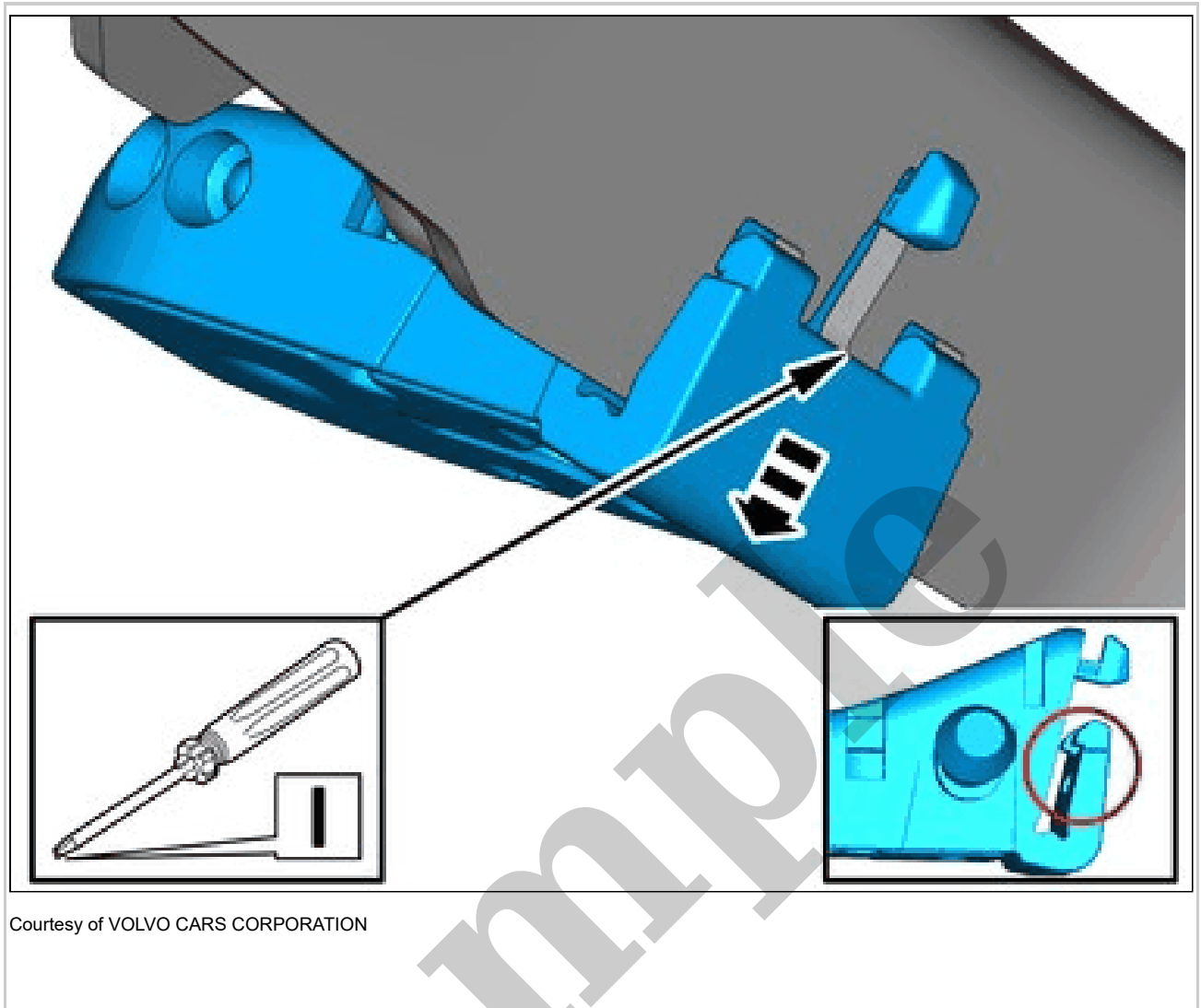
**NOTE:** *Orientation view*

The graphic shows the back of the component.



Courtesy of VOLVO CARS CORPORATION

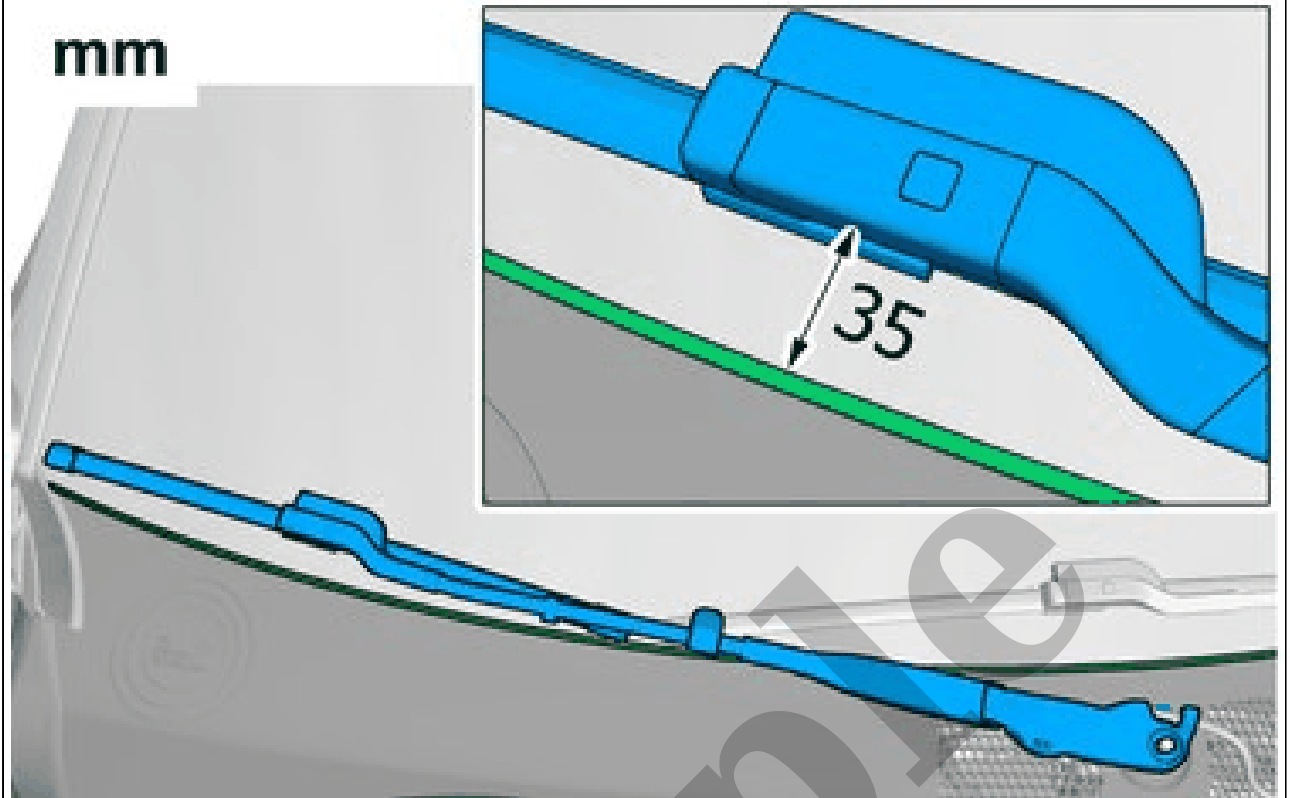
Loosen the clips.



Courtesy of VOLVO CARS CORPORATION

Release the catches.  
Loosen the marked detail.  
**Use:** Electrician's screwdriver

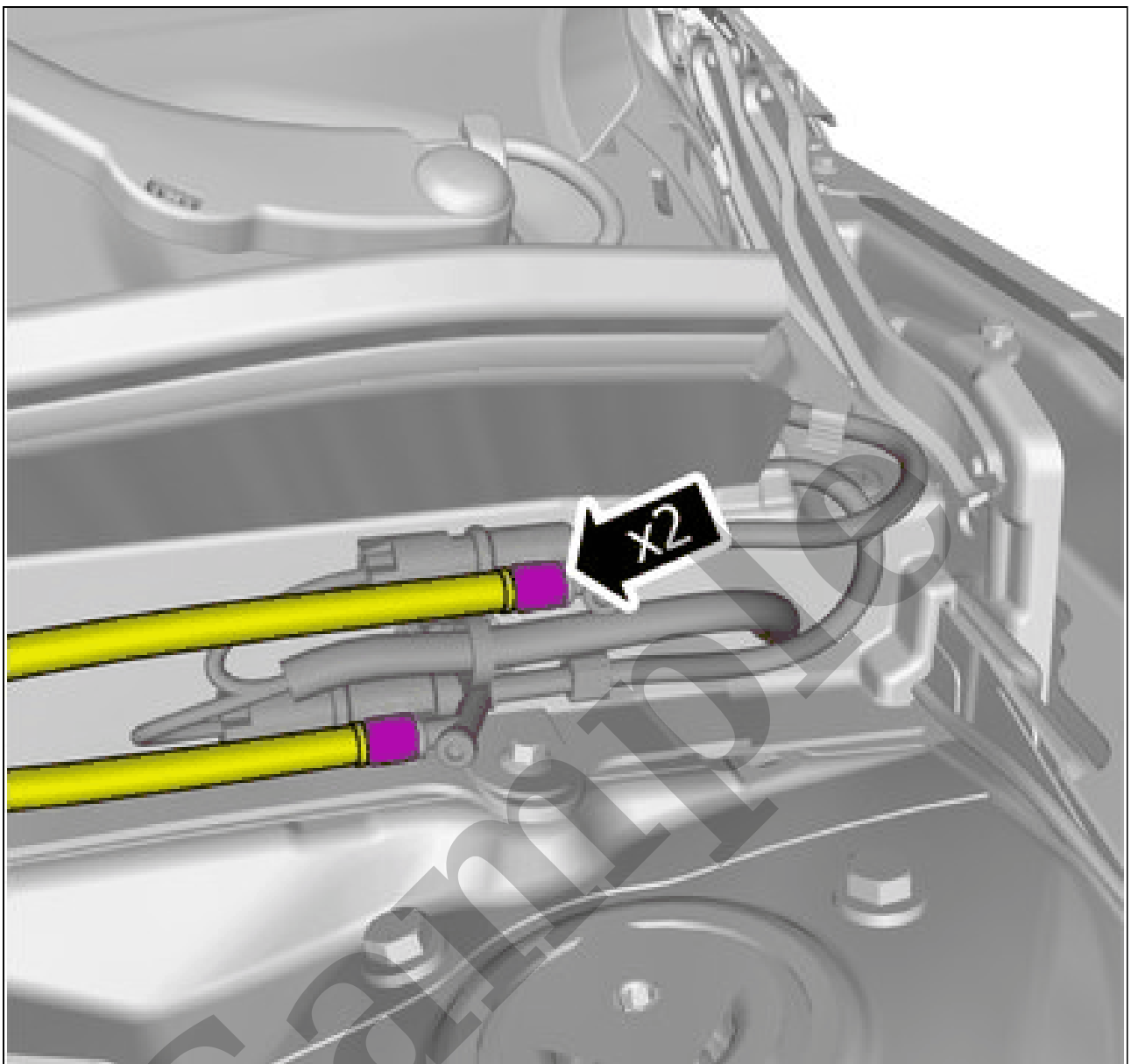
mm



Courtesy of VOLVO CARS CORPORATION

Adjust to the specified value.  
Tighten the nut.



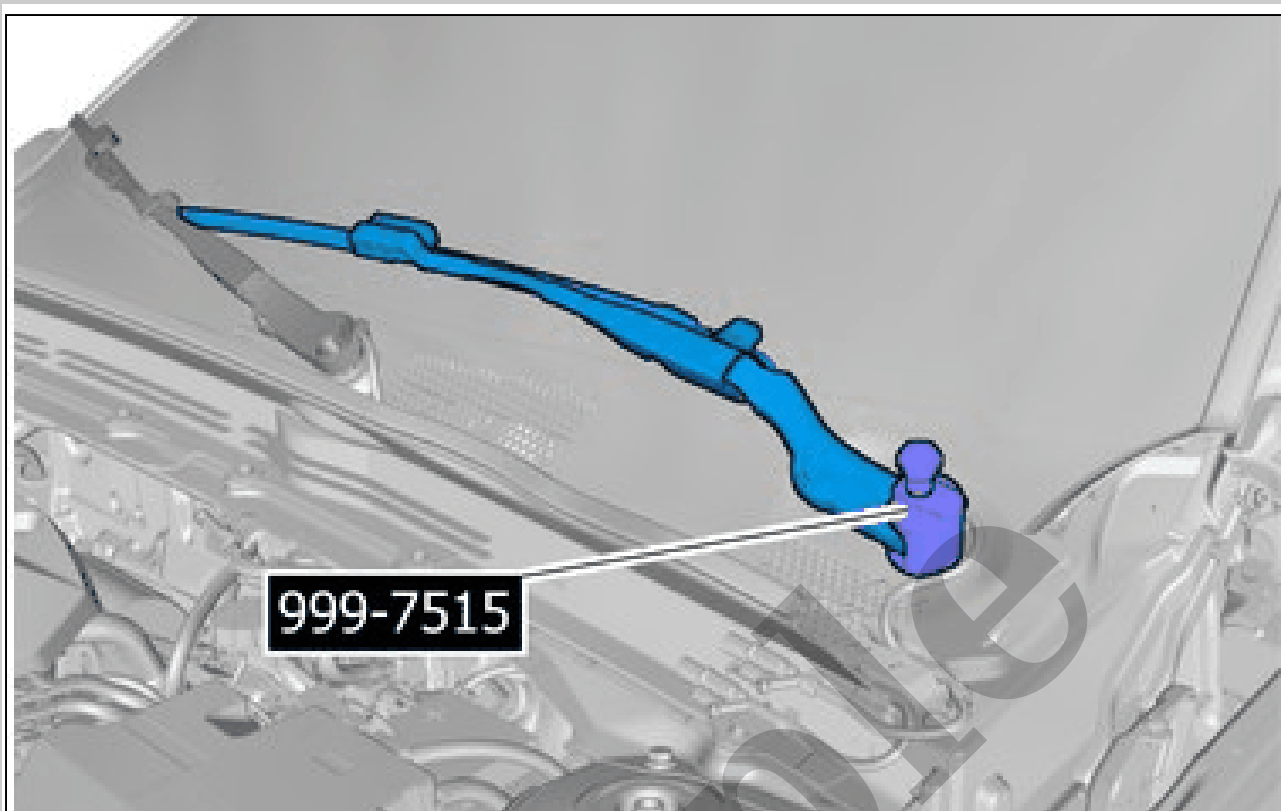


Courtesy of VOLVO CARS CORPORATION

**WARNING:** *Be prepared to collect escaping fluid.*

Undo the hoses from the connections.

Set the vehicle to Inactive mode, described in user mode. Refer to: USAGE MODE



Courtesy of VOLVO CARS CORPORATION

Special Tool: 999 7515 Puller  
Remove the marked part.  
On both sides.

**WIPER ARM > WIPER ARM [2021-2022, E400V6] > INSTALLATION**