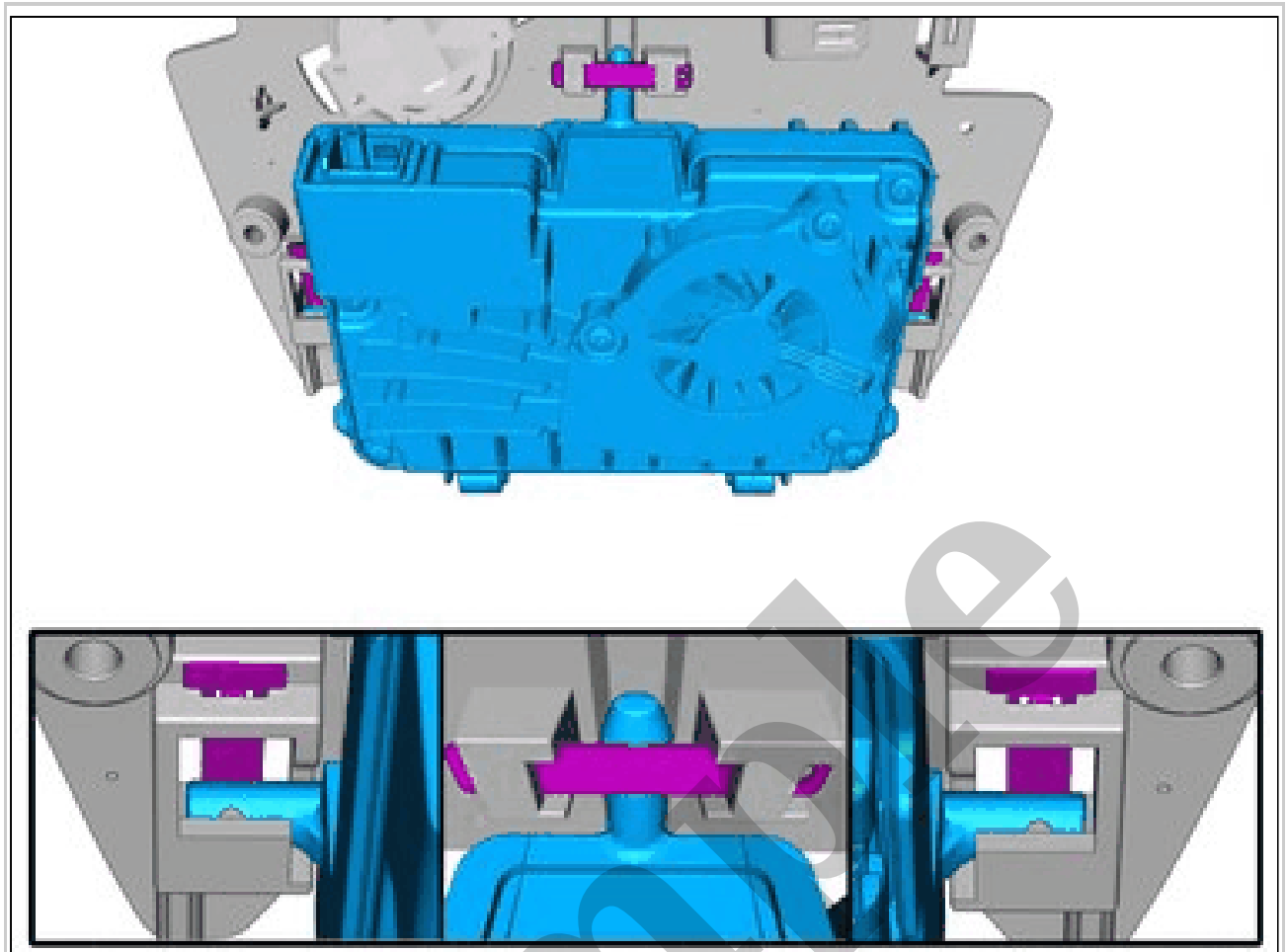


Your Ultimate Source for OEM Repair Manuals

FactoryManuals.net is a great resource for anyone who wants to save money on repairs by doing their own work. The manuals provide detailed instructions and diagrams that make it easy to understand how to fix a vehicle.

1987 VOLVO 780 OEM Service and Repair Workshop Manual

[Go to manual page](#)



Courtesy of VOLVO CARS CORPORATION

CAUTION: Do not touch the camera lens.

CAUTION: Make sure the component is fitted as illustrated.

Ensure that all clips engage.

Check that the component has locked in its position.

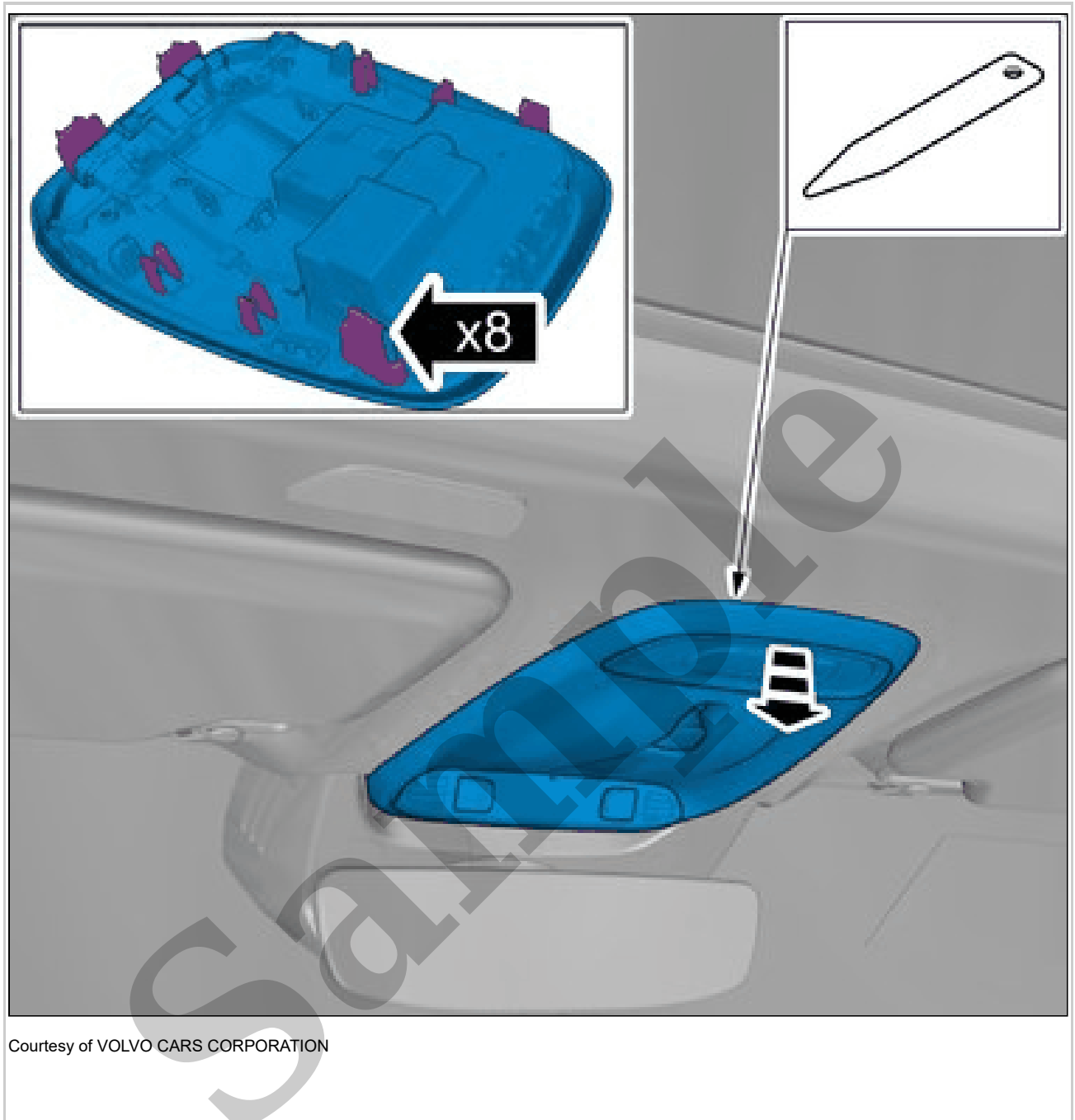
To install, reverse the removal procedure.

Calibrate FLC2 according to: Diagnostics / Components / Control modules / Forward looking camera (FLC2) / Diagnostic sequences / Calibration of forward looking camera (FLC2)

NOTE: The following steps are only necessary when installing a new component.

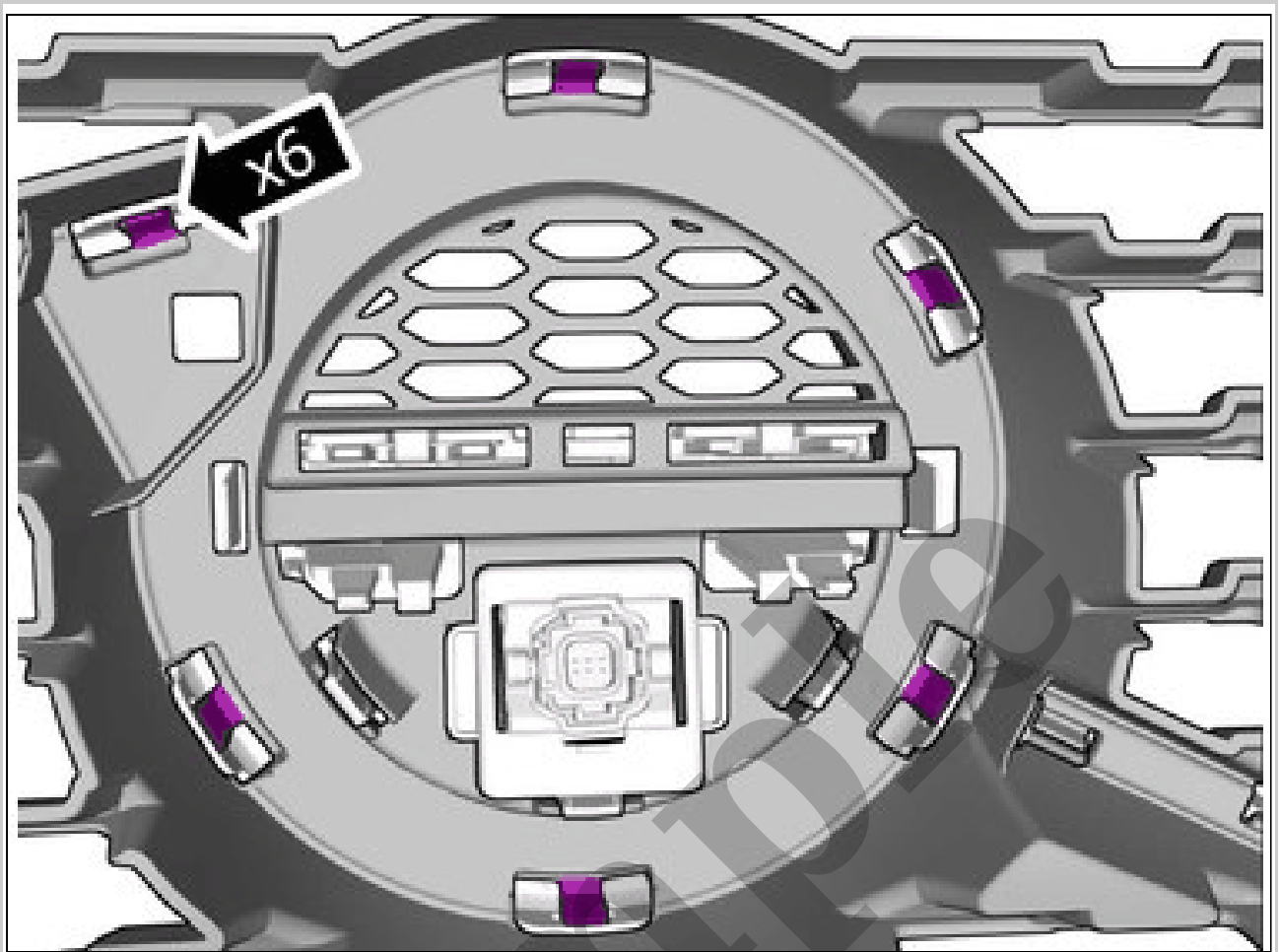
Order and download the appropriate software according to: VIDA/Software/Hardware Changes

Set the vehicle to Inactive mode, described in user mode. Refer to: USAGE MODE



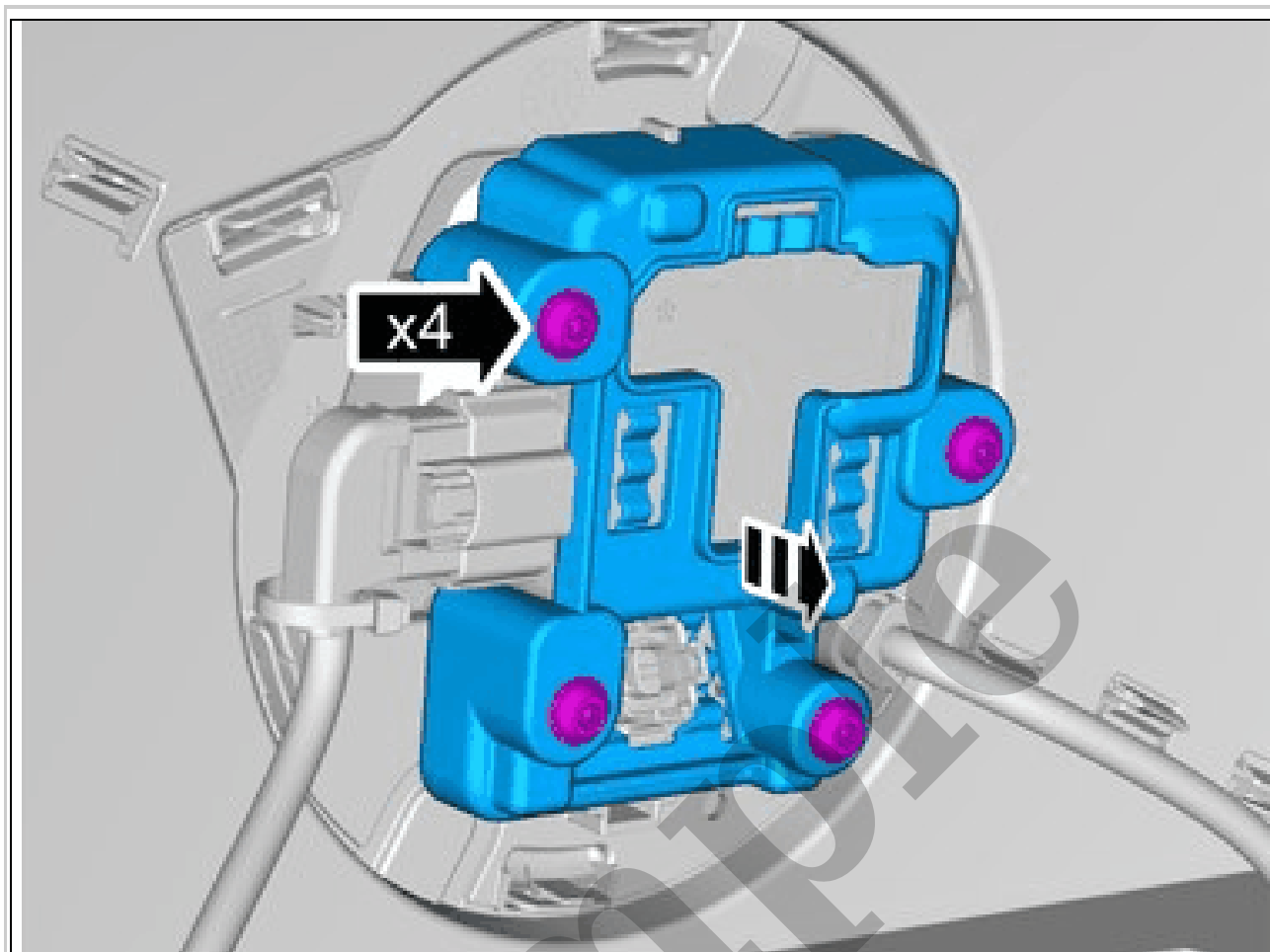
Courtesy of VOLVO CARS CORPORATION

Remove the marked part.



Courtesy of VOLVO CARS CORPORATION

Release the locks.



Courtesy of VOLVO CARS CORPORATION

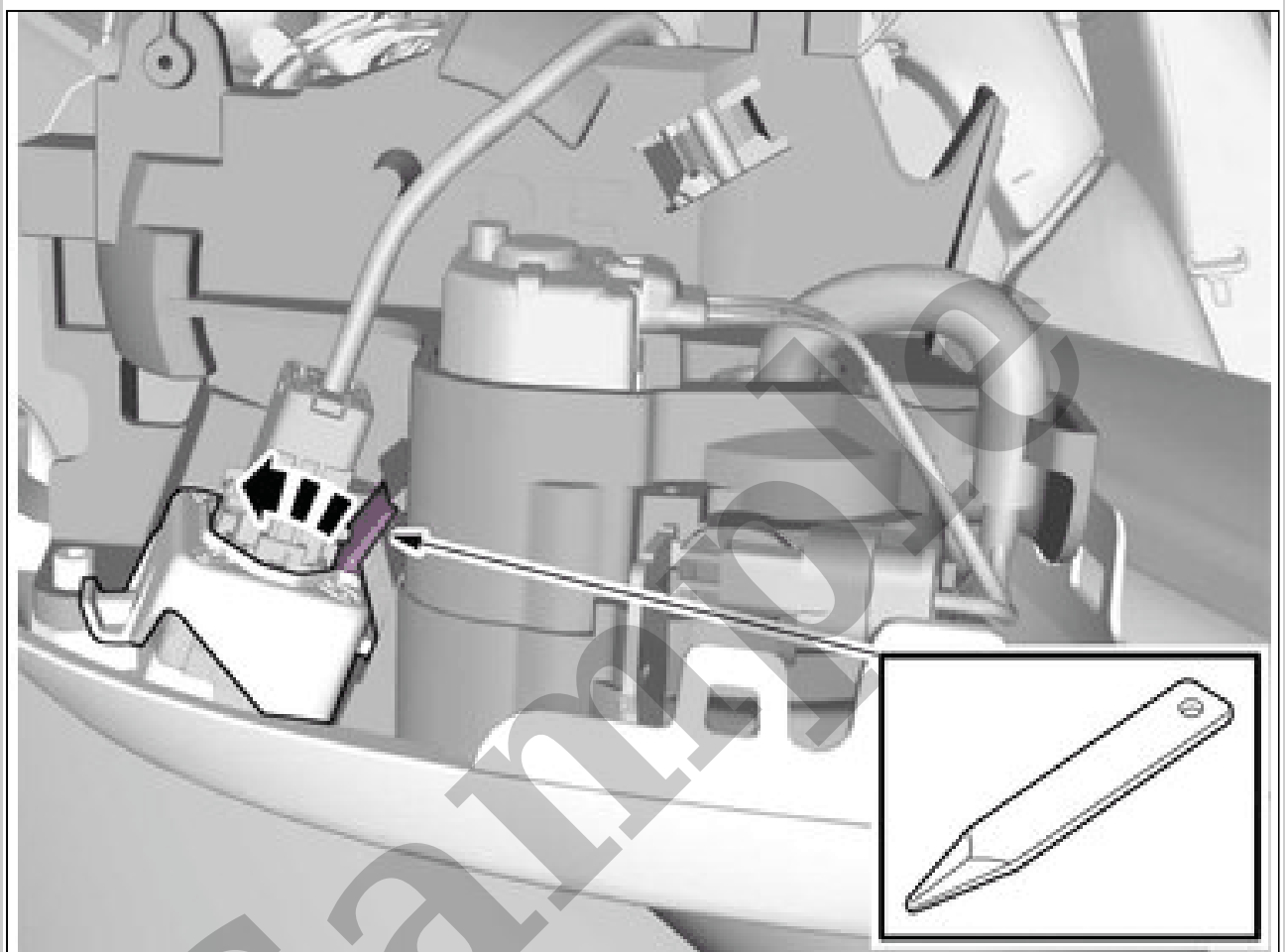
Remove the screws.
Remove the marked part.

PARKING ASSISTANCE CAMERA, SIDE > PARKING ASSISTANCE CAMERA, SIDE [2018-2022] > REMOVAL

Set the vehicle to Inactive mode, described in user mode. Refer to: USAGE MODE

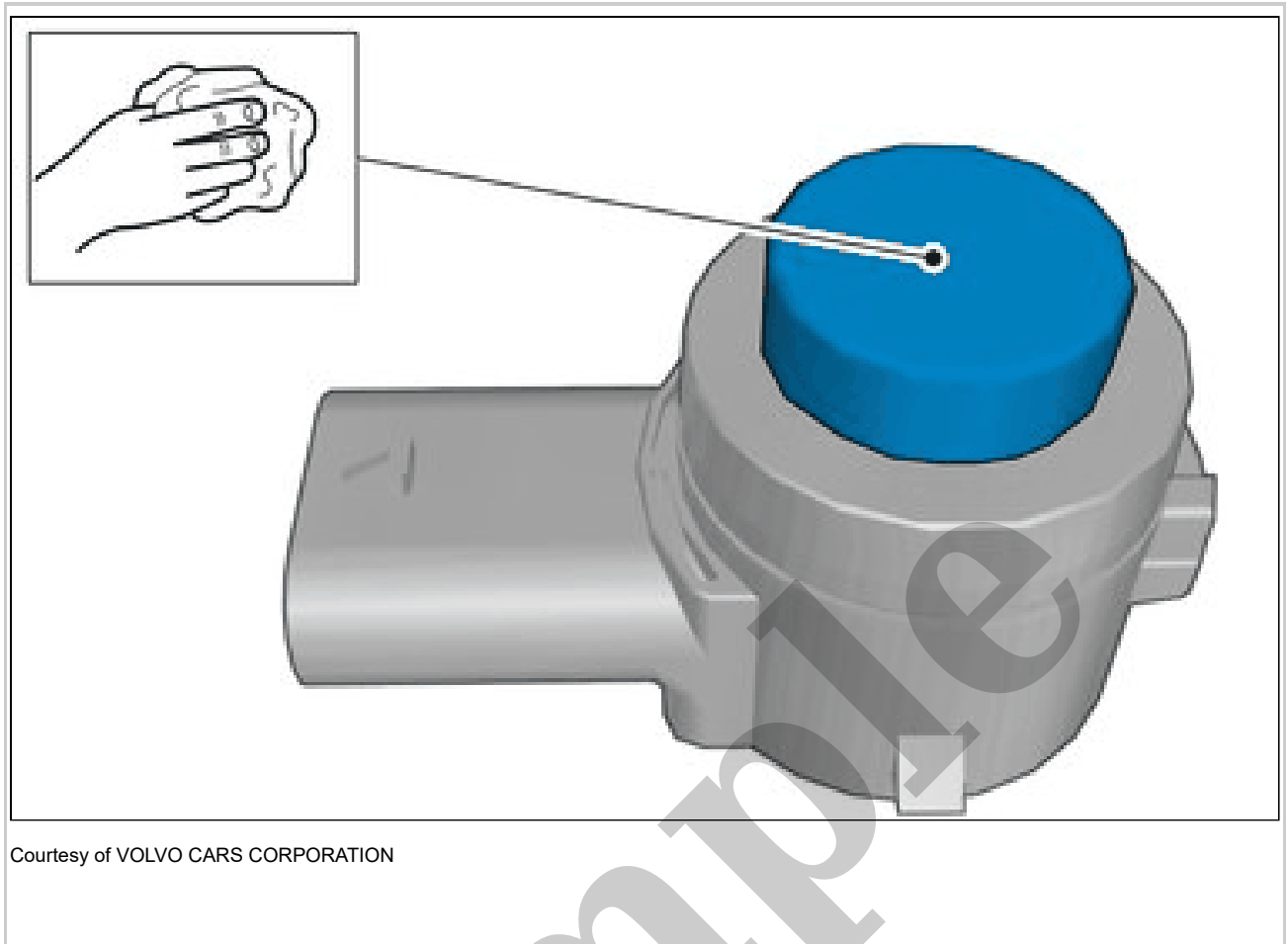
Remove turn indicator, external mirror. Refer to: TURN INDICATOR, EXTERNAL MIRROR

Remove relevant side turn indicator, external mirror. Refer to: TURN INDICATOR, EXTERNAL MIRROR



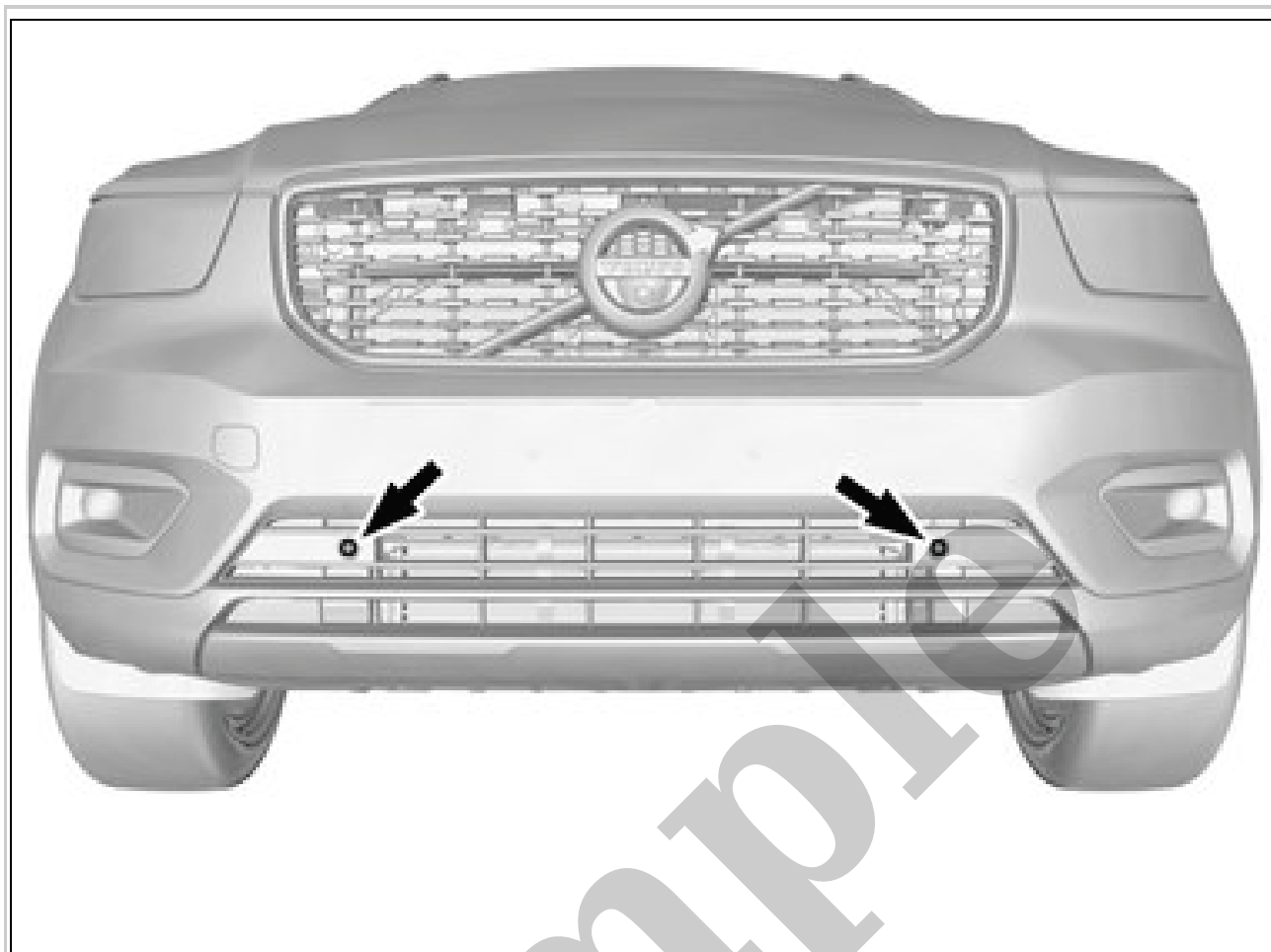
Courtesy of VOLVO CARS CORPORATION

Release the catch.



Courtesy of VOLVO CARS CORPORATION

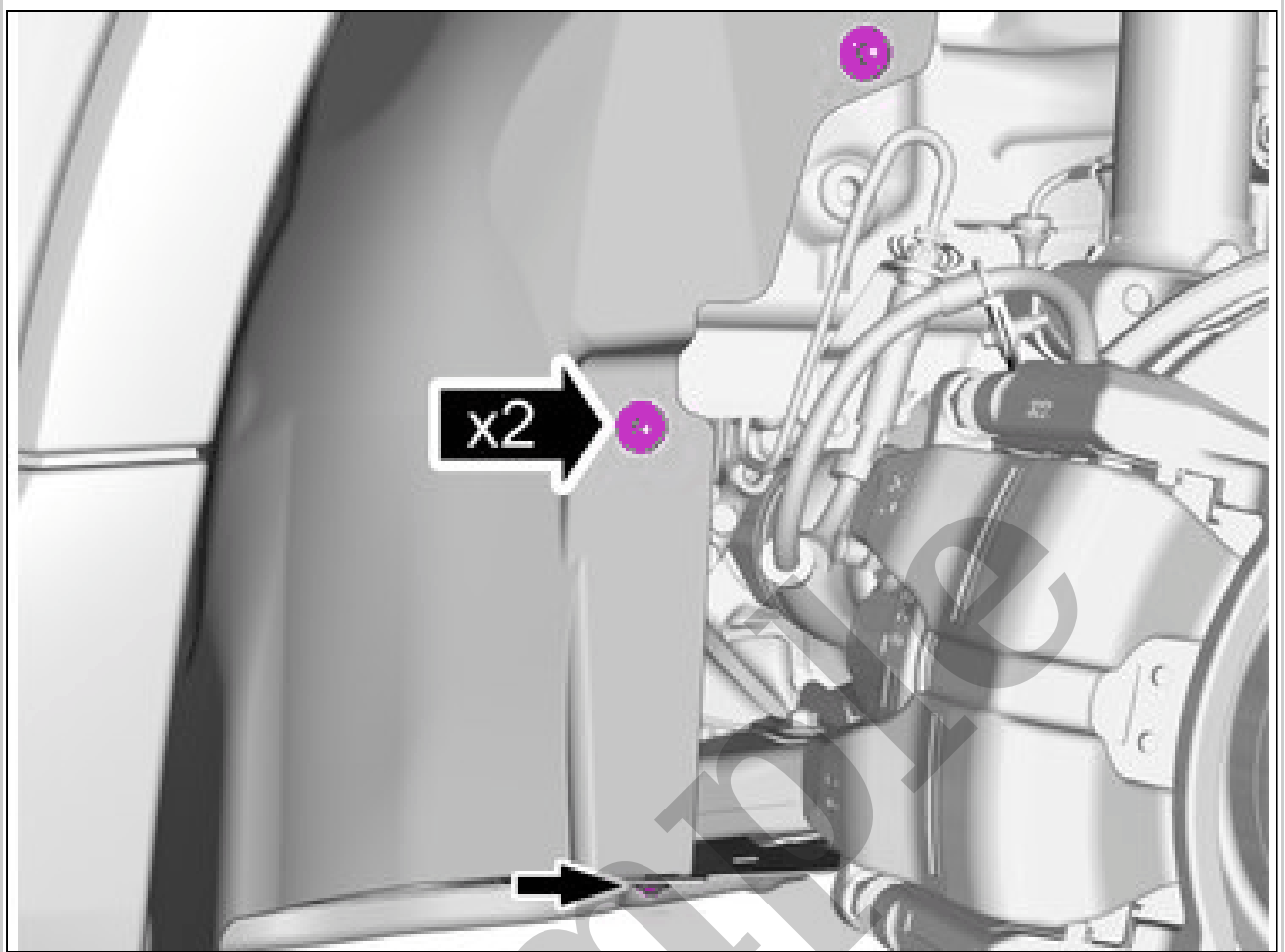
Use: Cleaning agent, 1161721



Courtesy of VOLVO CARS CORPORATION

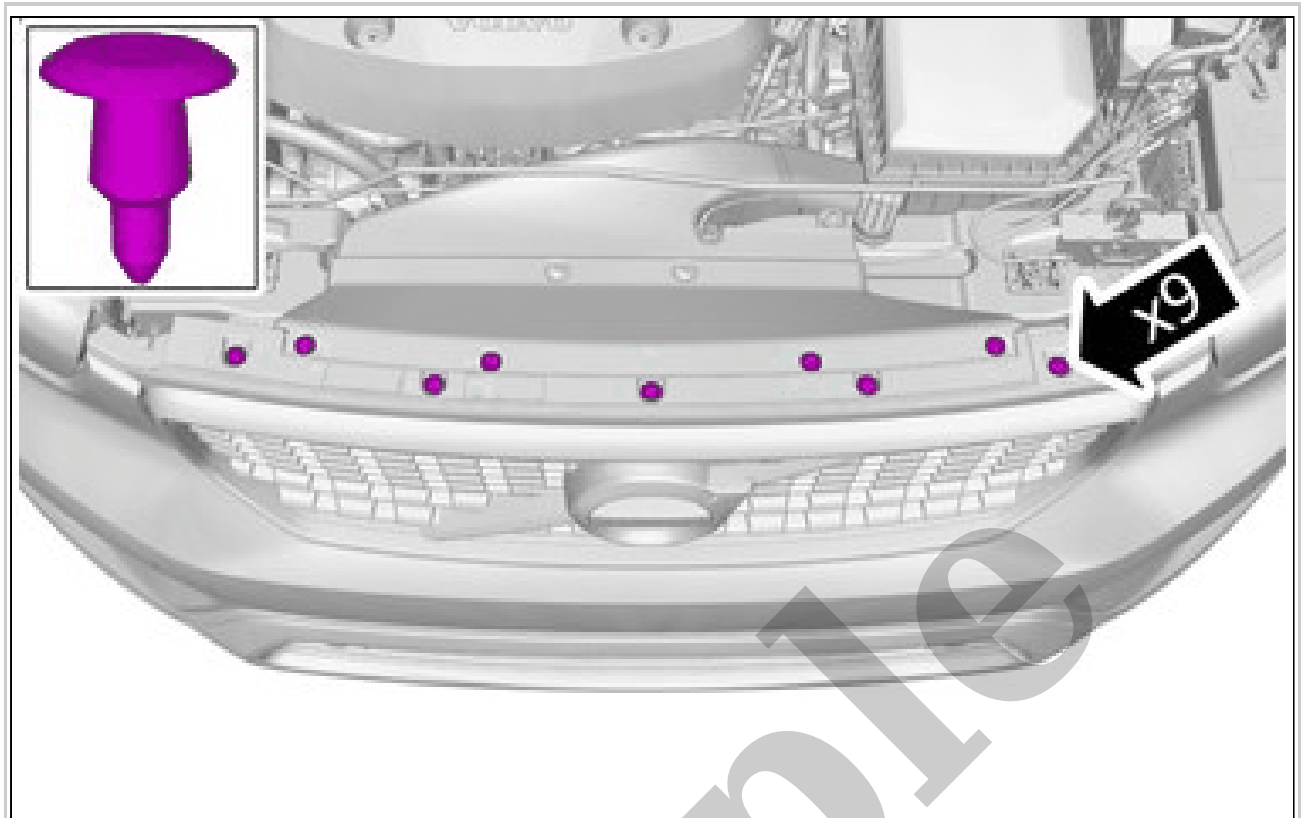
NOTE: *Orientation view*

Set the vehicle to Inactive mode, described in user mode. Refer to: USAGE MODE
Remove casing bumper front. Refer to: COVER BUMPER FRONT



Courtesy of VOLVO CARS CORPORATION

Remove the nuts.
Remove the screw.



Courtesy of VOLVO CARS CORPORATION

Remove the clips.