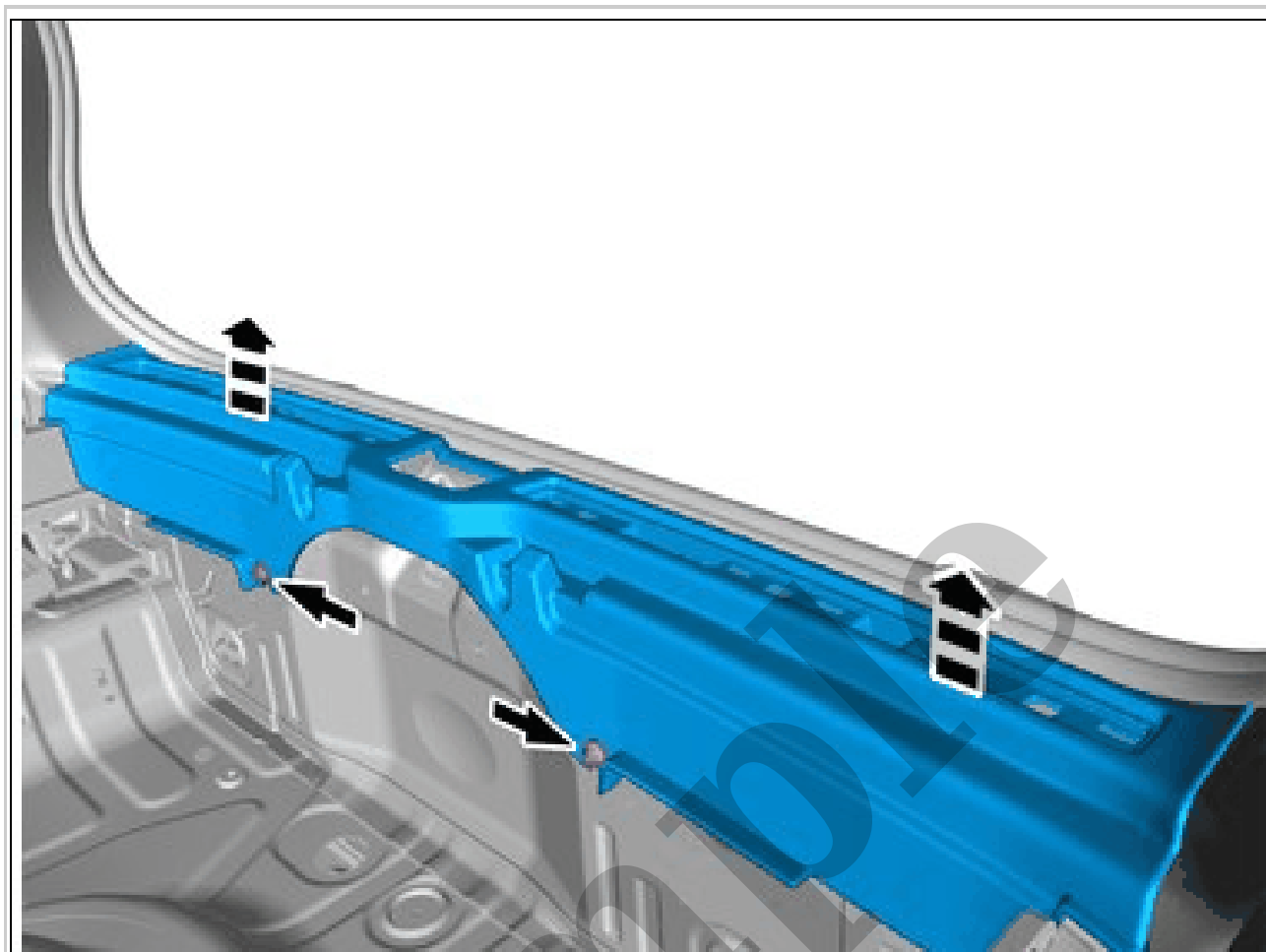


Your Ultimate Source for OEM Repair Manuals

FactoryManuals.net is a great resource for anyone who wants to save money on repairs by doing their own work. The manuals provide detailed instructions and diagrams that make it easy to understand how to fix a vehicle.

1987 VOLVO 760 OEM Service and Repair Workshop Manual

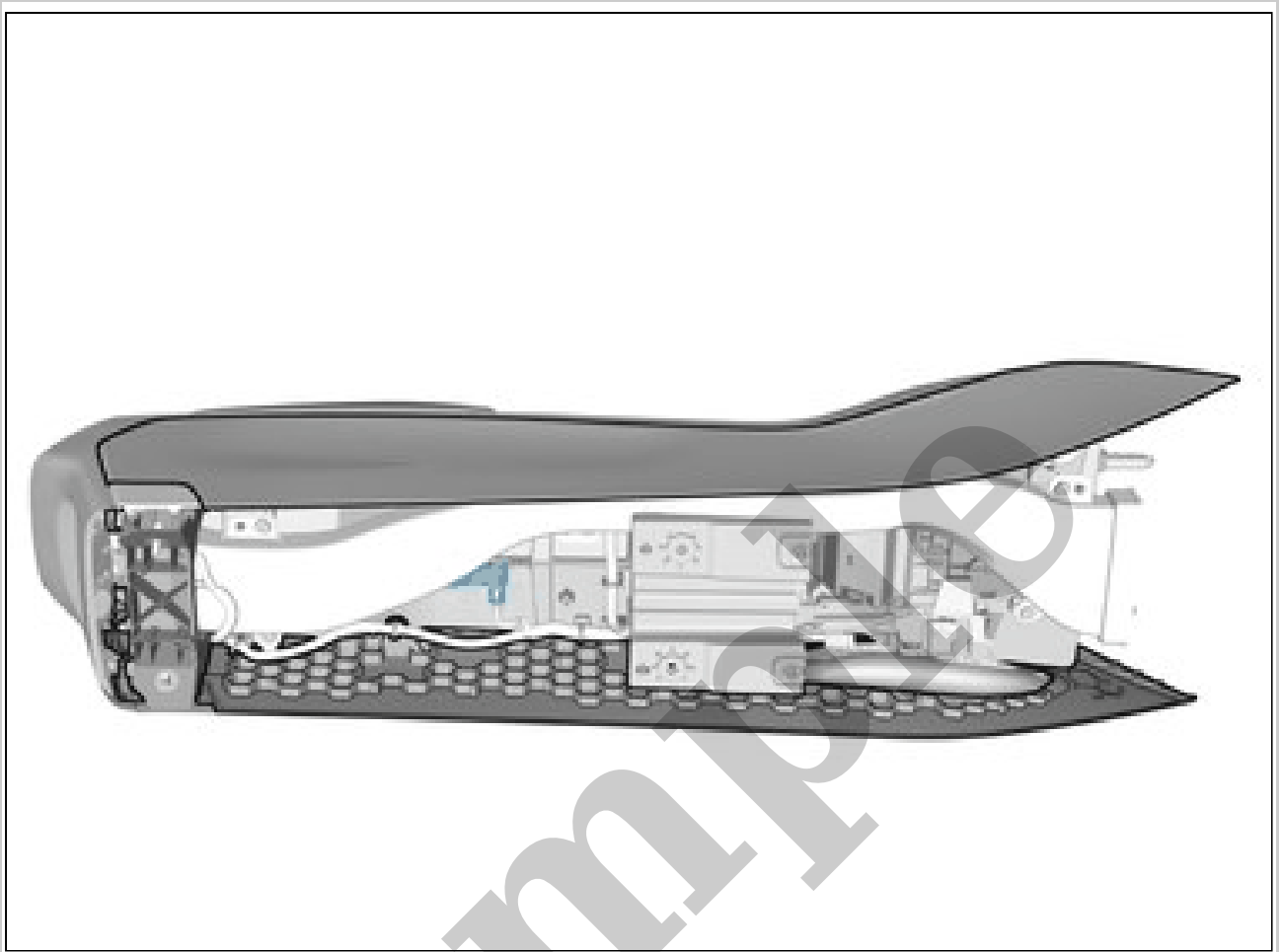
[Go to manual page](#)



Courtesy of VOLVO CARS CORPORATION

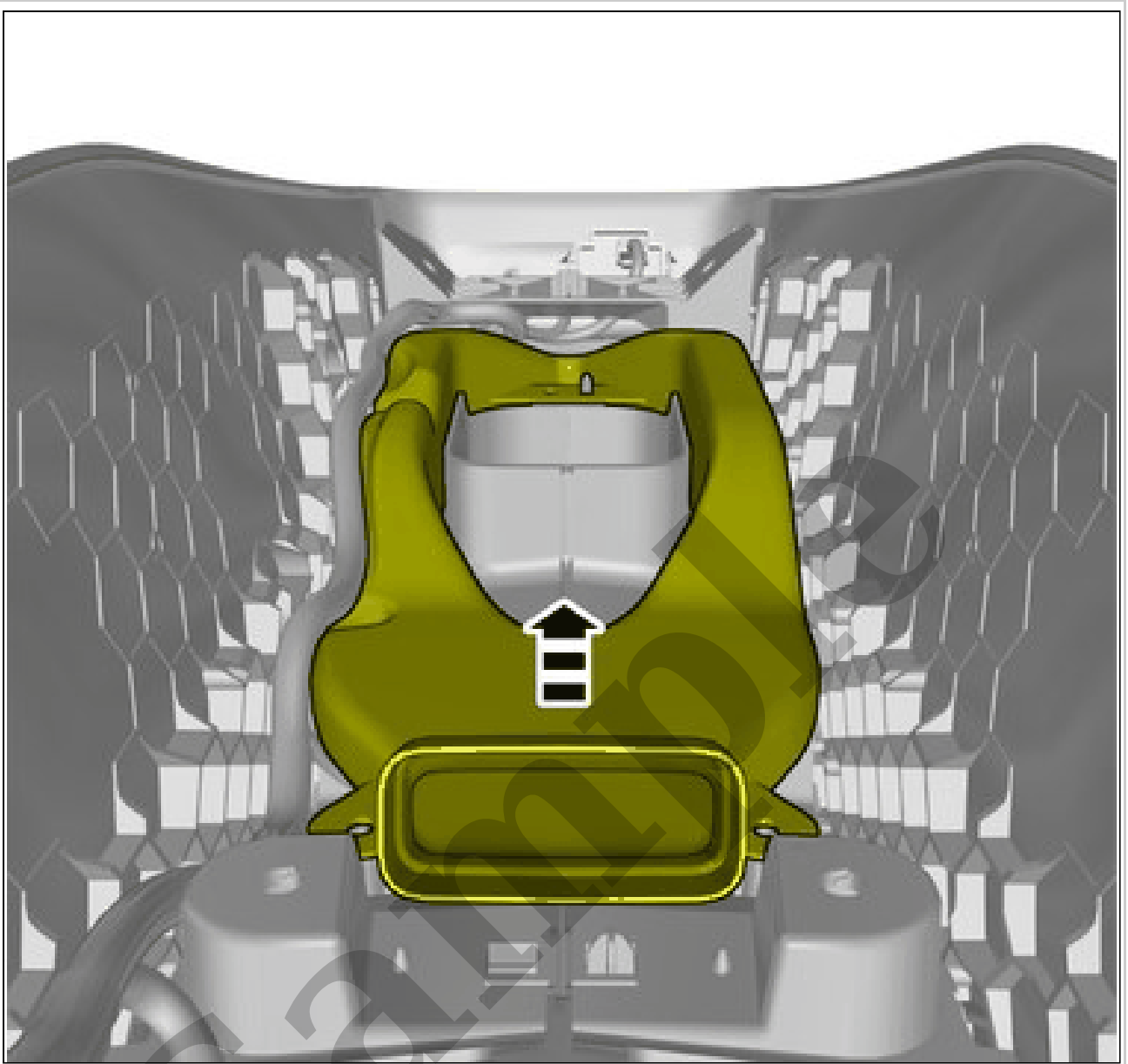
Remove the screws.
Remove the marked part.

Set the vehicle to Inactive mode, described in user mode. Refer to: USAGE MODE
Remove floor console. Refer to: FLOOR CONSOLE



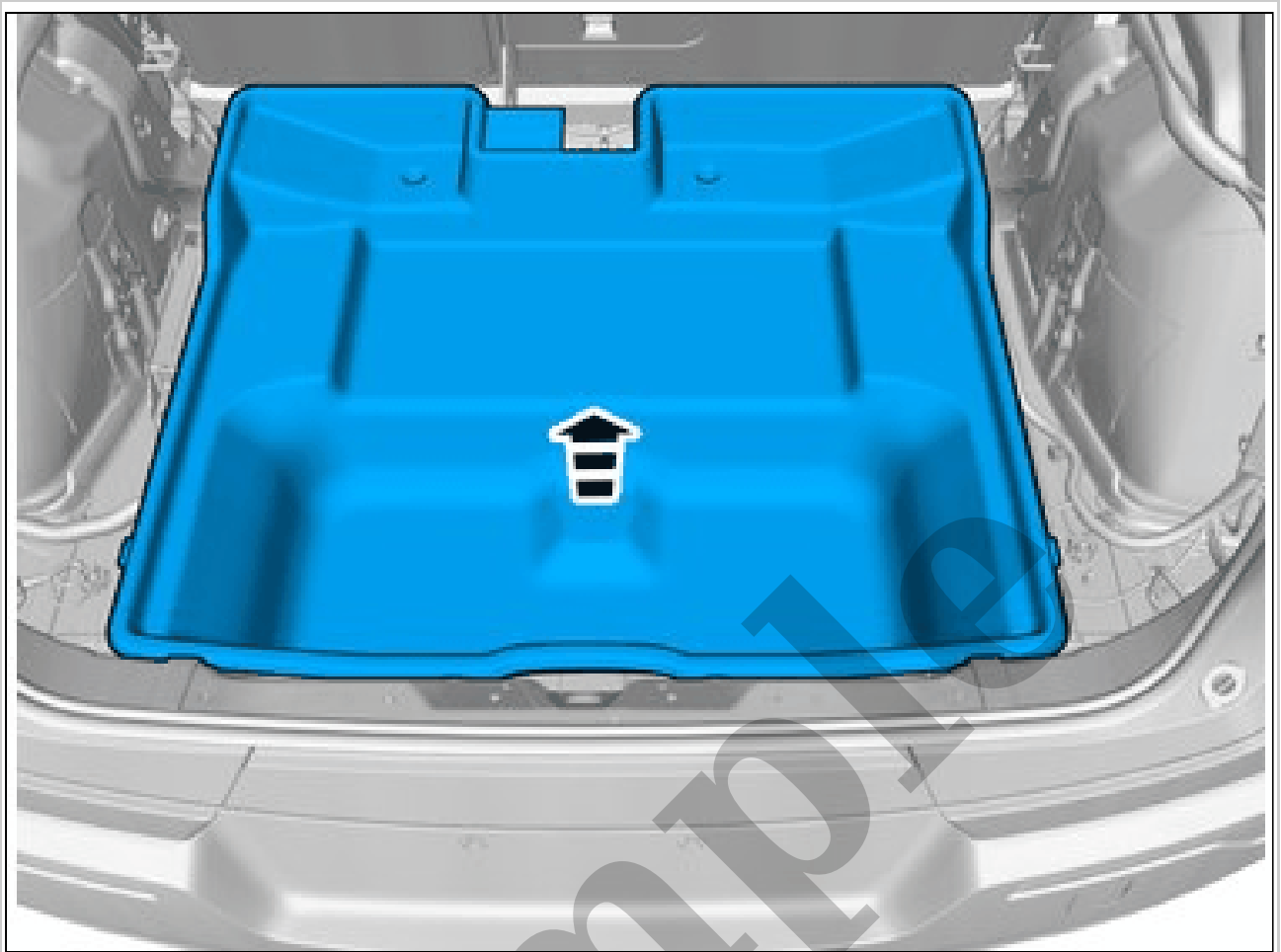
Courtesy of VOLVO CARS CORPORATION

NOTE: *Orientation view*



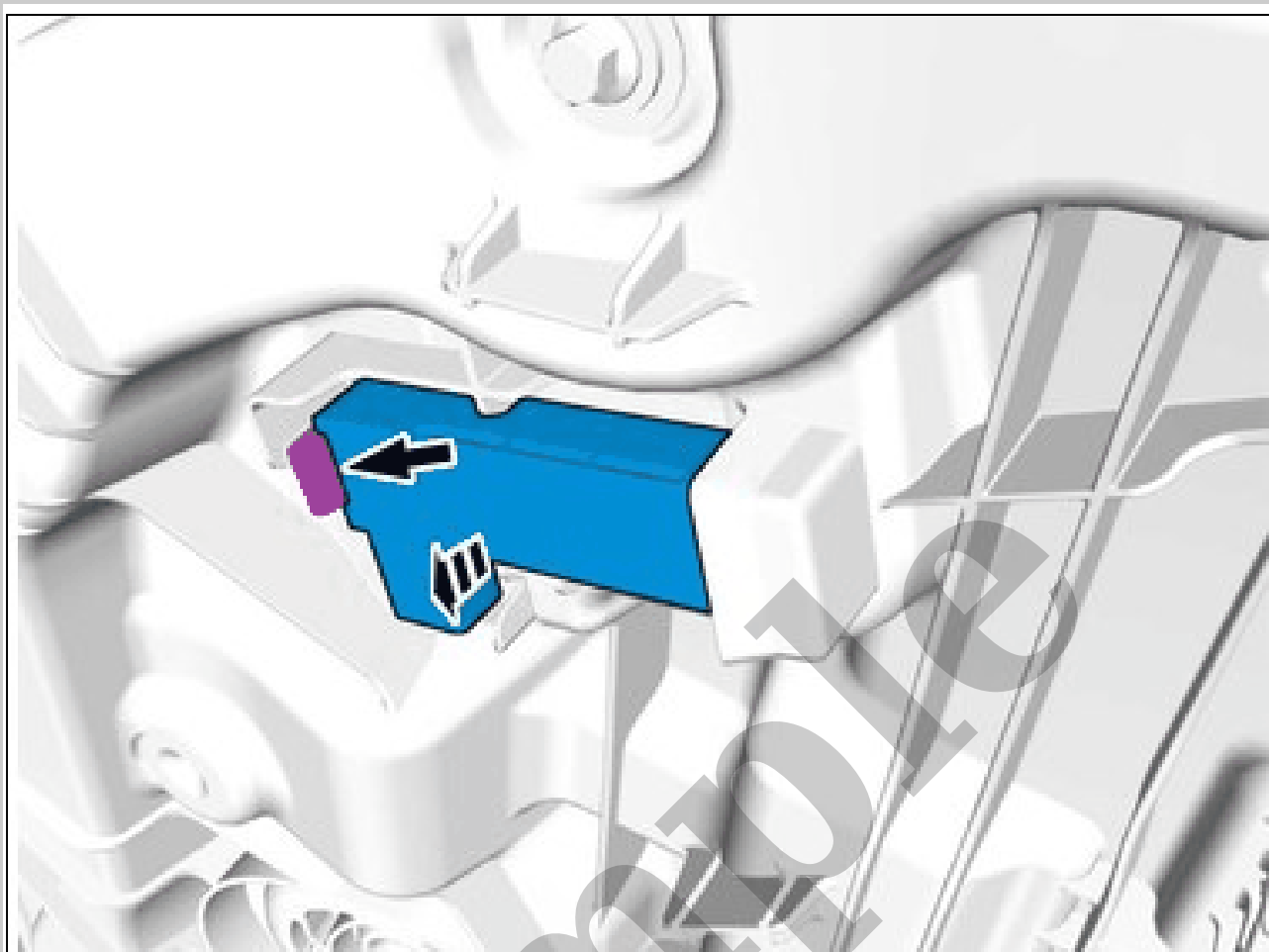
Courtesy of VOLVO CARS CORPORATION

Fold marked part aside.



Courtesy of VOLVO CARS CORPORATION

Remove the marked part.



Courtesy of VOLVO CARS CORPORATION

Release the lock.
Remove the marked part.

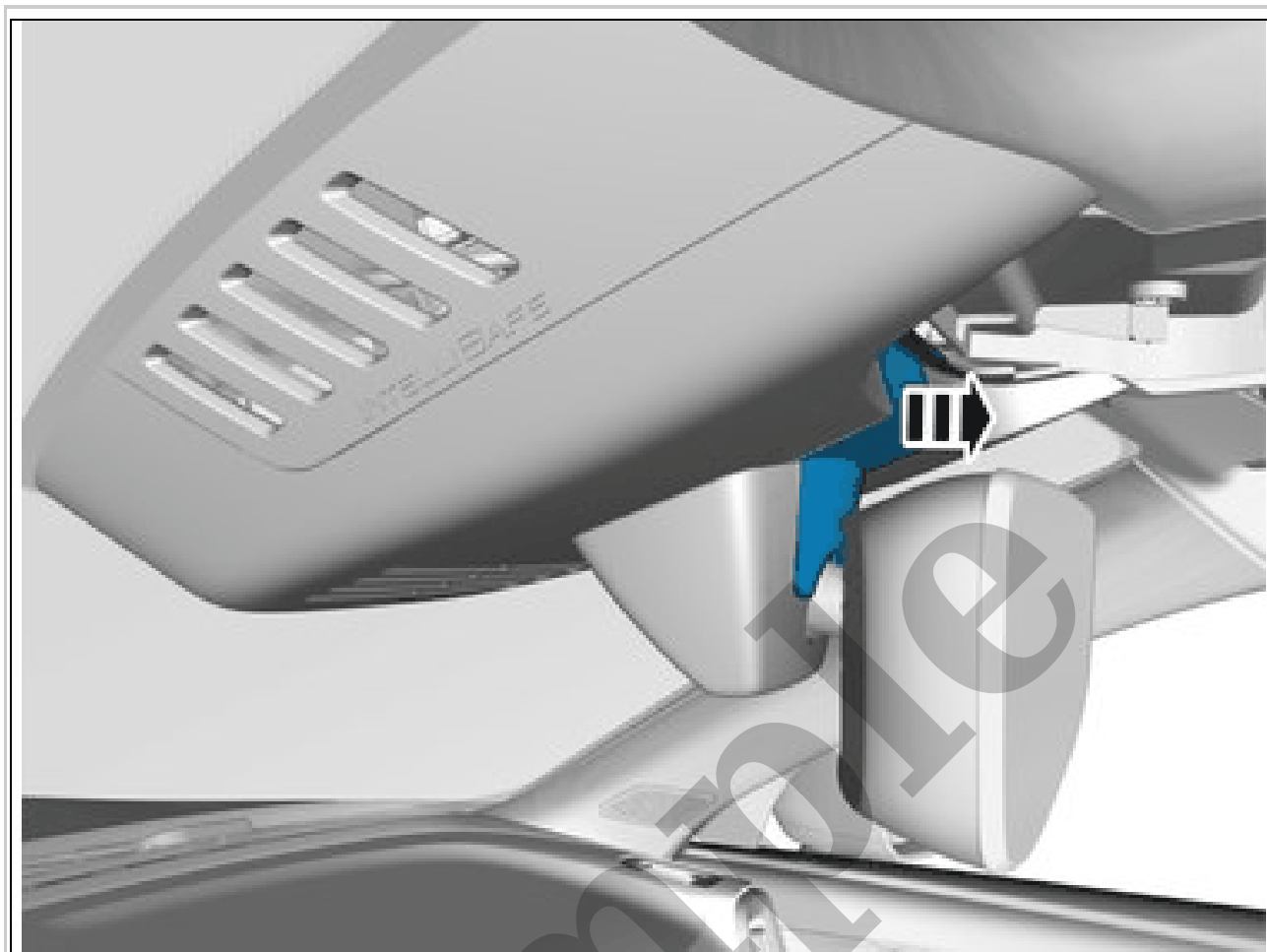
ANTENNA, KEYLESS VEHICLE, REAR DOOR > ANTENNA, KEYLESS VEHICLE, REAR DOOR [2018-2022] > INSTALLATION

To install, reverse the removal procedure.

BATTERY BACKED-UP SOUNDER > BATTERY BACKED-UP SOUNDER (BBS) [2018- 2022] > REMOVAL

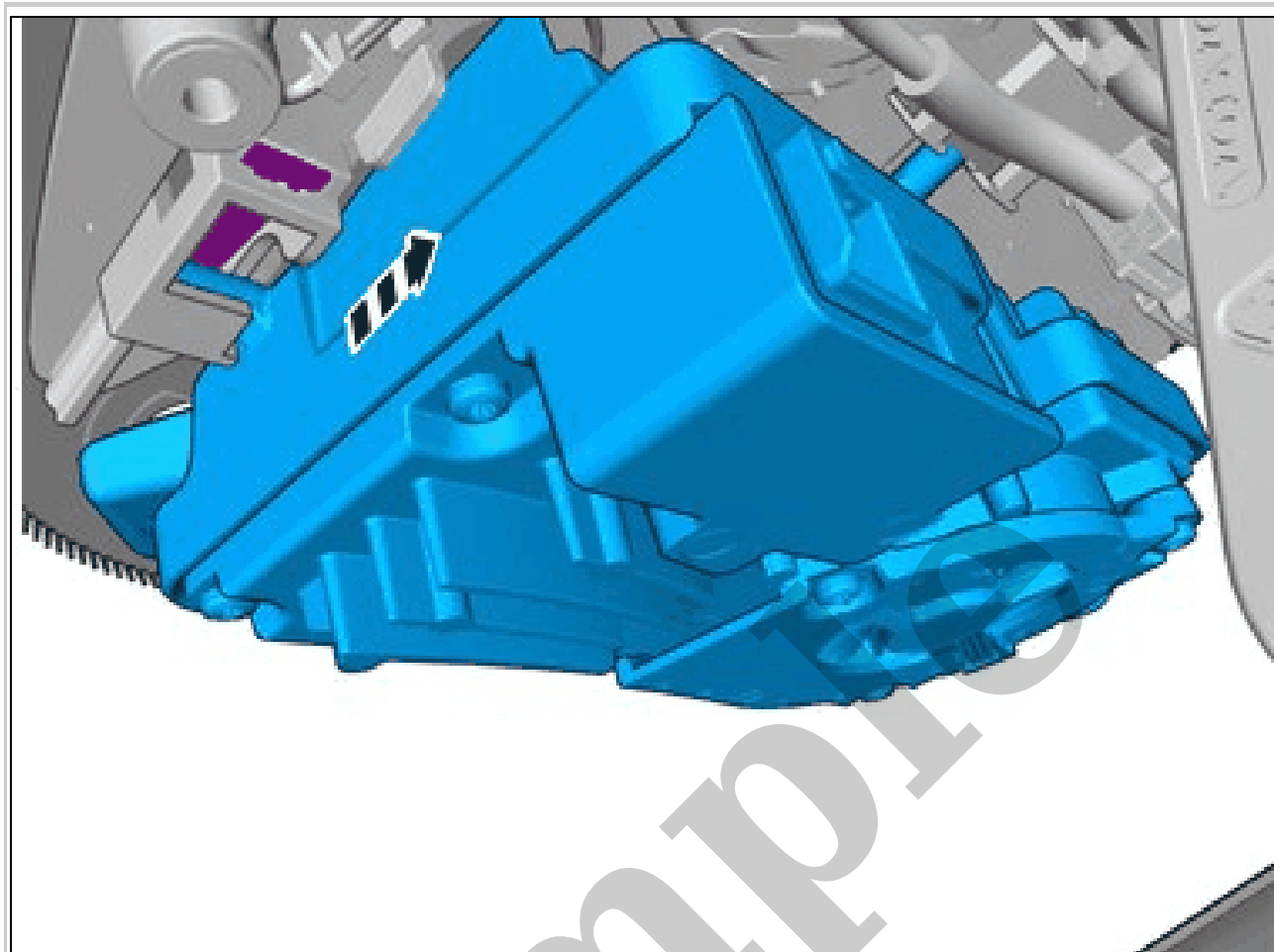
NOTE: *Removal steps in this procedure may contain
installation details.*

Set the vehicle to Inactive mode, described in user mode. Refer to: USAGE MODE
Remove the plenum cover. Refer to: PLENUM COVER



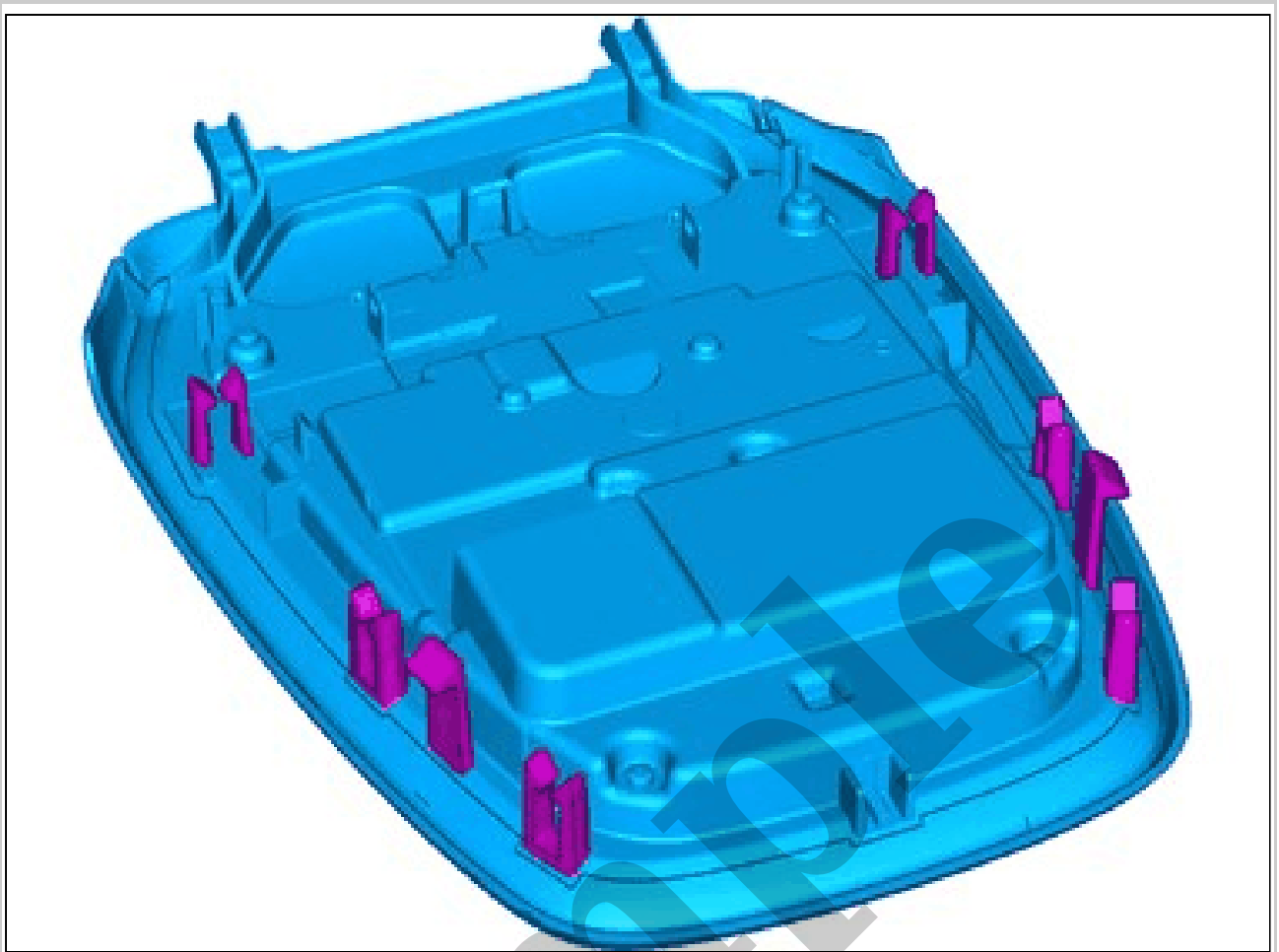
Courtesy of VOLVO CARS CORPORATION

Remove the marked part.



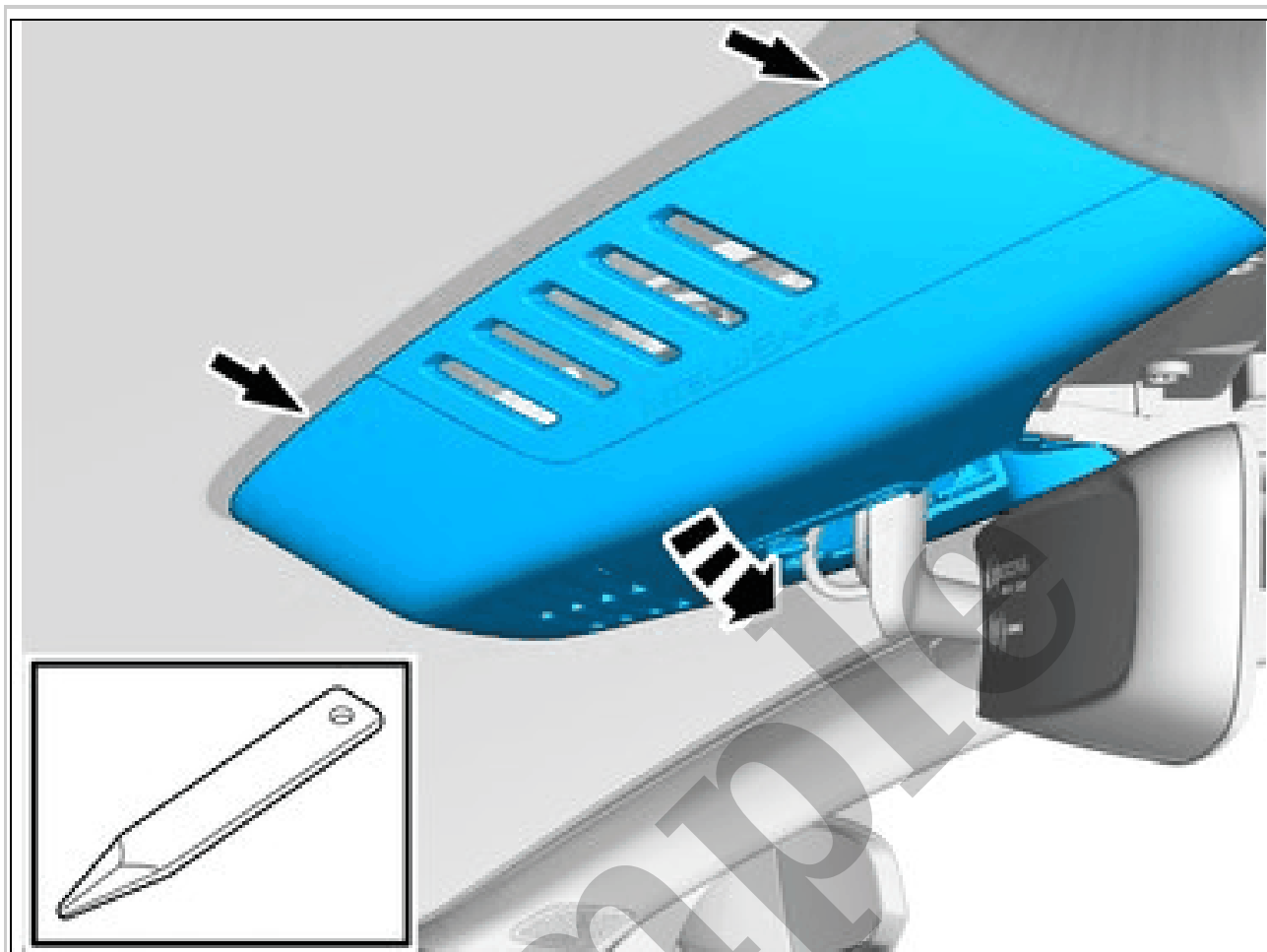
Courtesy of VOLVO CARS CORPORATION

Pull the component in direction of the arrow.
Repeat on the other side.



Courtesy of VOLVO CARS CORPORATION

NOTE: *The graphic shows the back of the component before removal.*



Courtesy of VOLVO CARS CORPORATION

Release the catches.
Repeat on the other side.
Remove the marked part.
Use: Interior trim remover