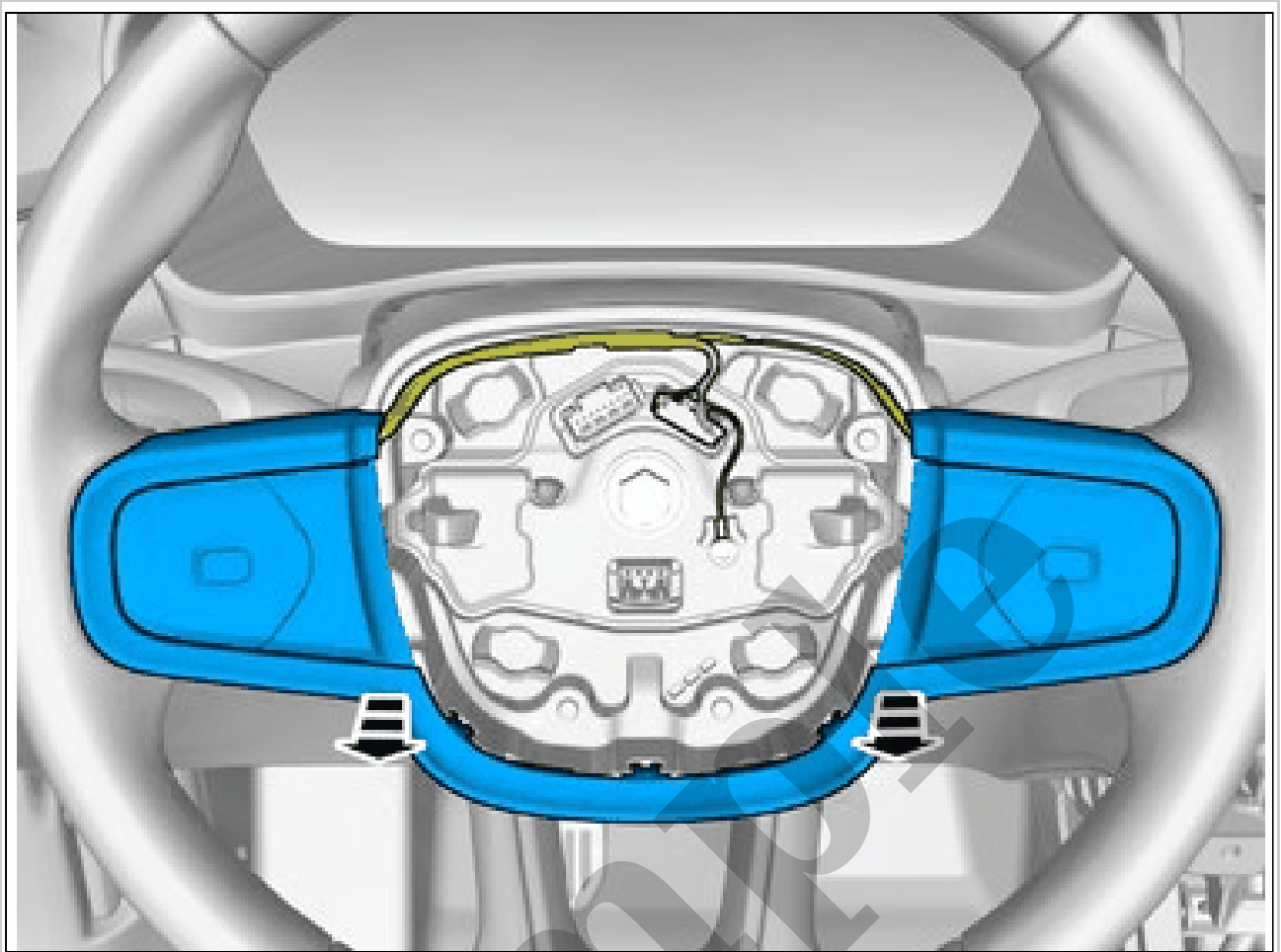


Your Ultimate Source for OEM Repair Manuals

FactoryManuals.net is a great resource for anyone who wants to save money on repairs by doing their own work. The manuals provide detailed instructions and diagrams that make it easy to understand how to fix a vehicle.

1987 VOLVO 760 Estate OEM Service and Repair Workshop Manual

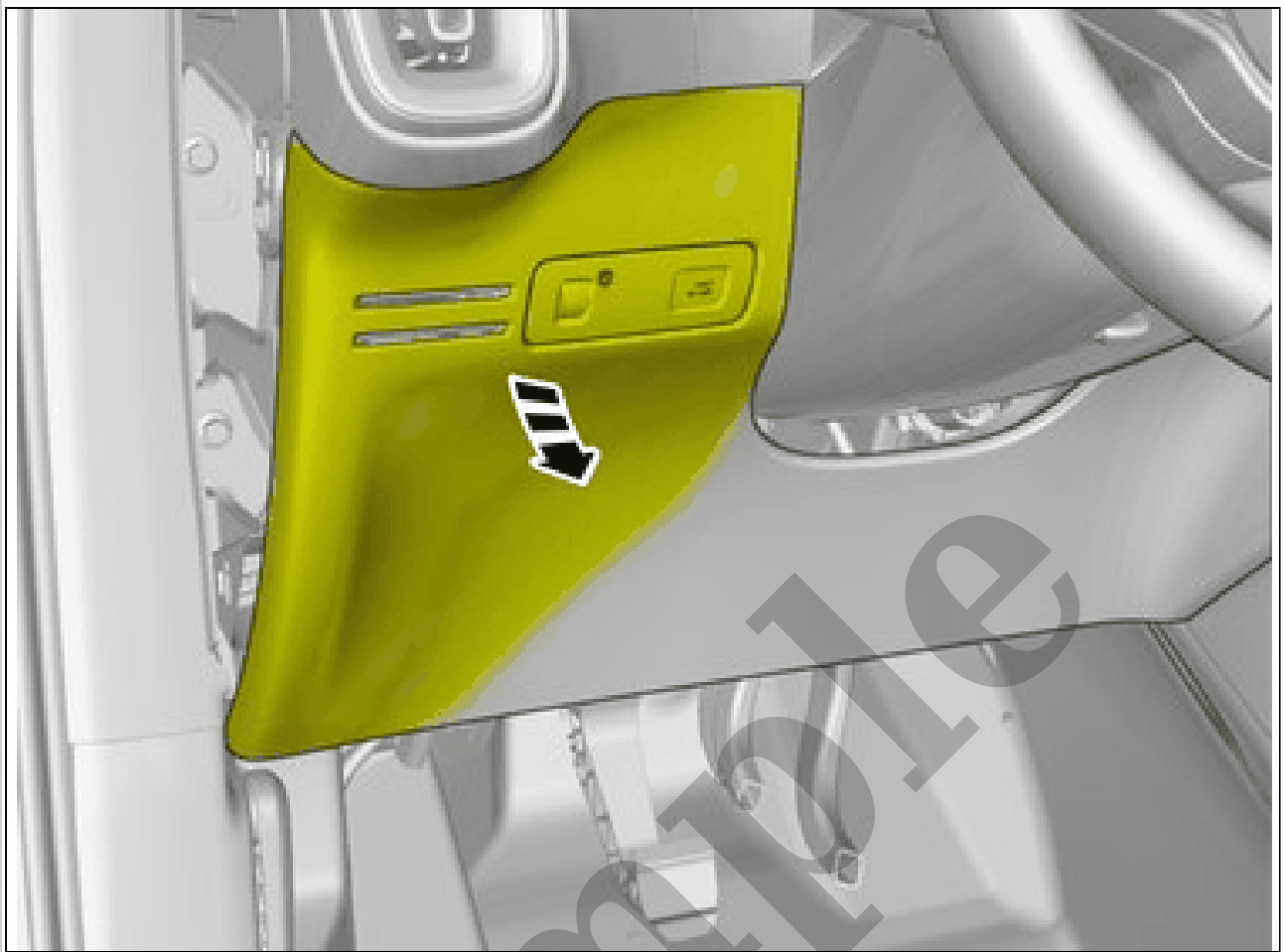
[Go to manual page](#)



Courtesy of VOLVO CARS CORPORATION

CAUTION: Note the routing of the lines and hoses.

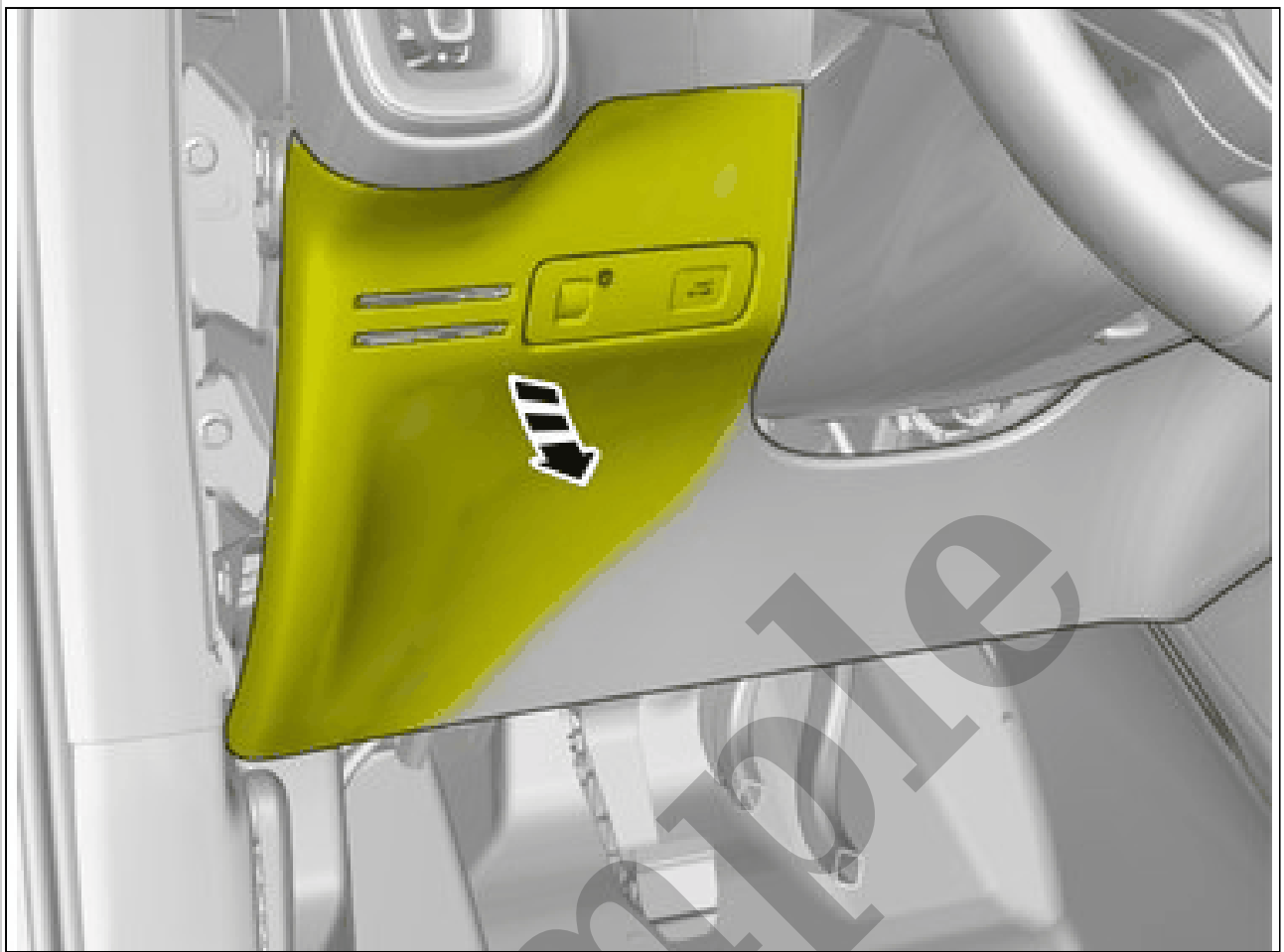
Use hands only.
Remove the marked part.



Courtesy of VOLVO CARS CORPORATION

NOTE: Only use moderate force.

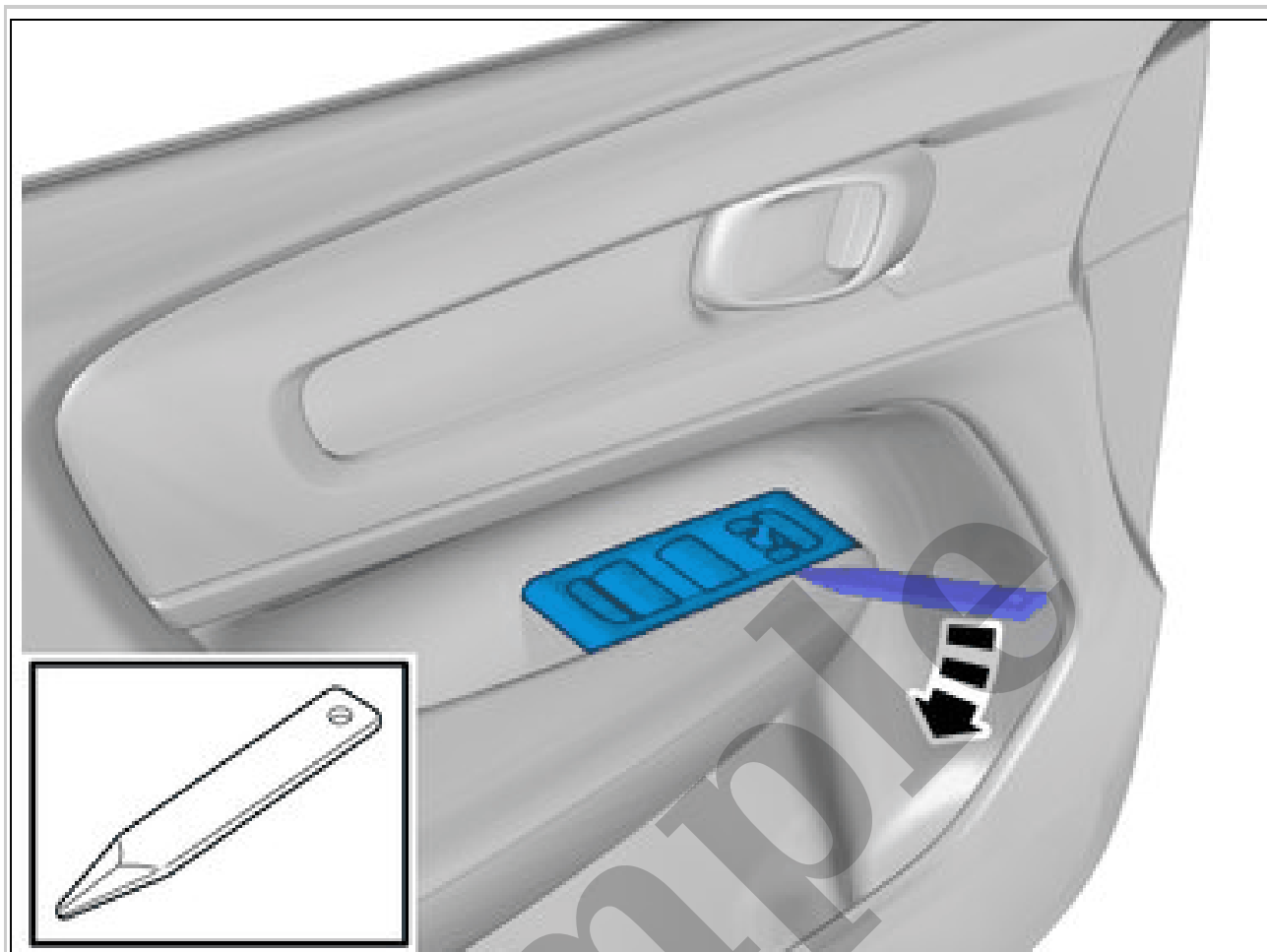
Use hands only.
Detach the panel.



Courtesy of VOLVO CARS CORPORATION

NOTE: *Only use moderate force.*

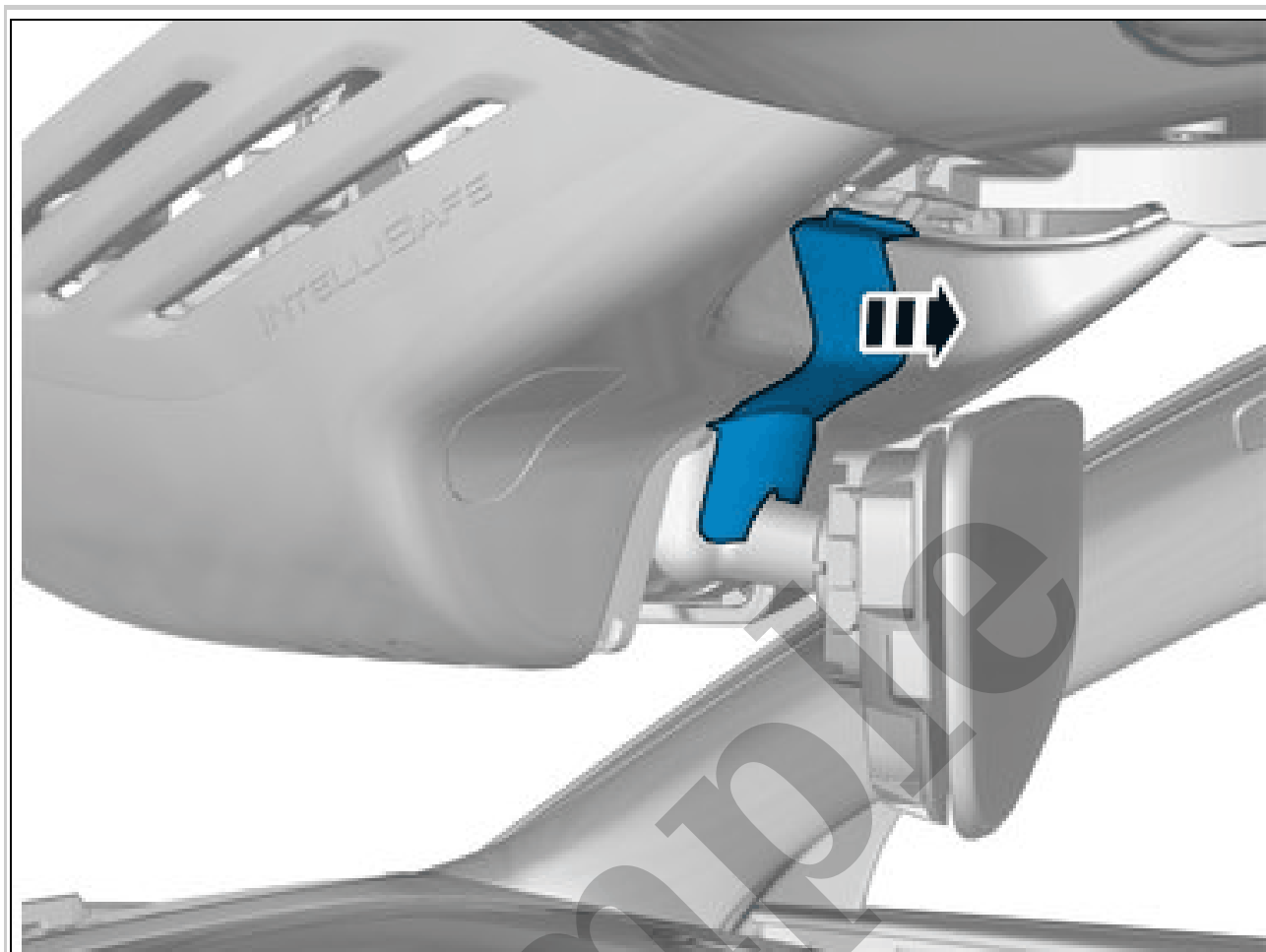
Use hands only.
Detach the panel.



Courtesy of VOLVO CARS CORPORATION

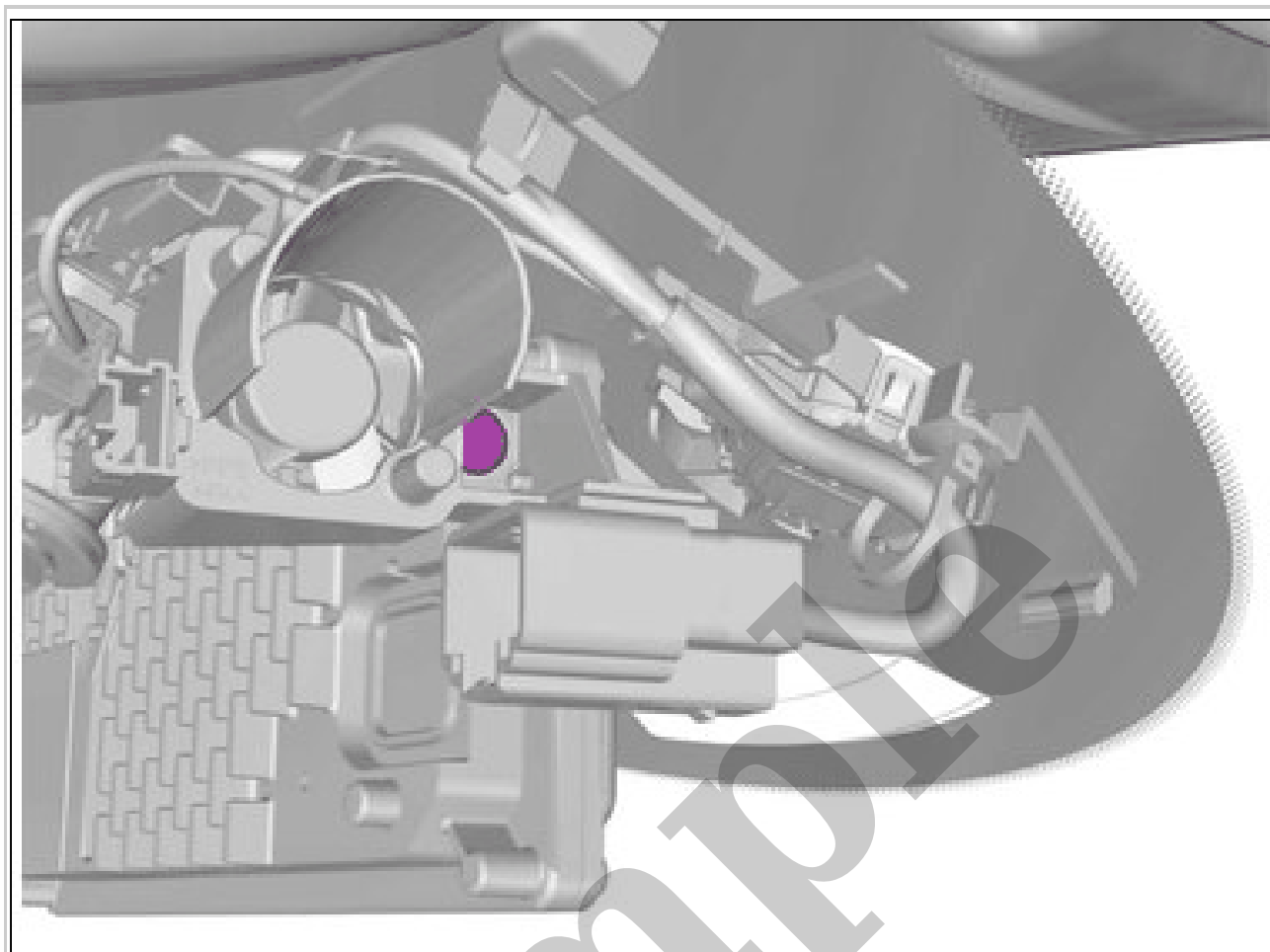
NOTE: Only use moderate force.

Remove the marked part.



Courtesy of VOLVO CARS CORPORATION

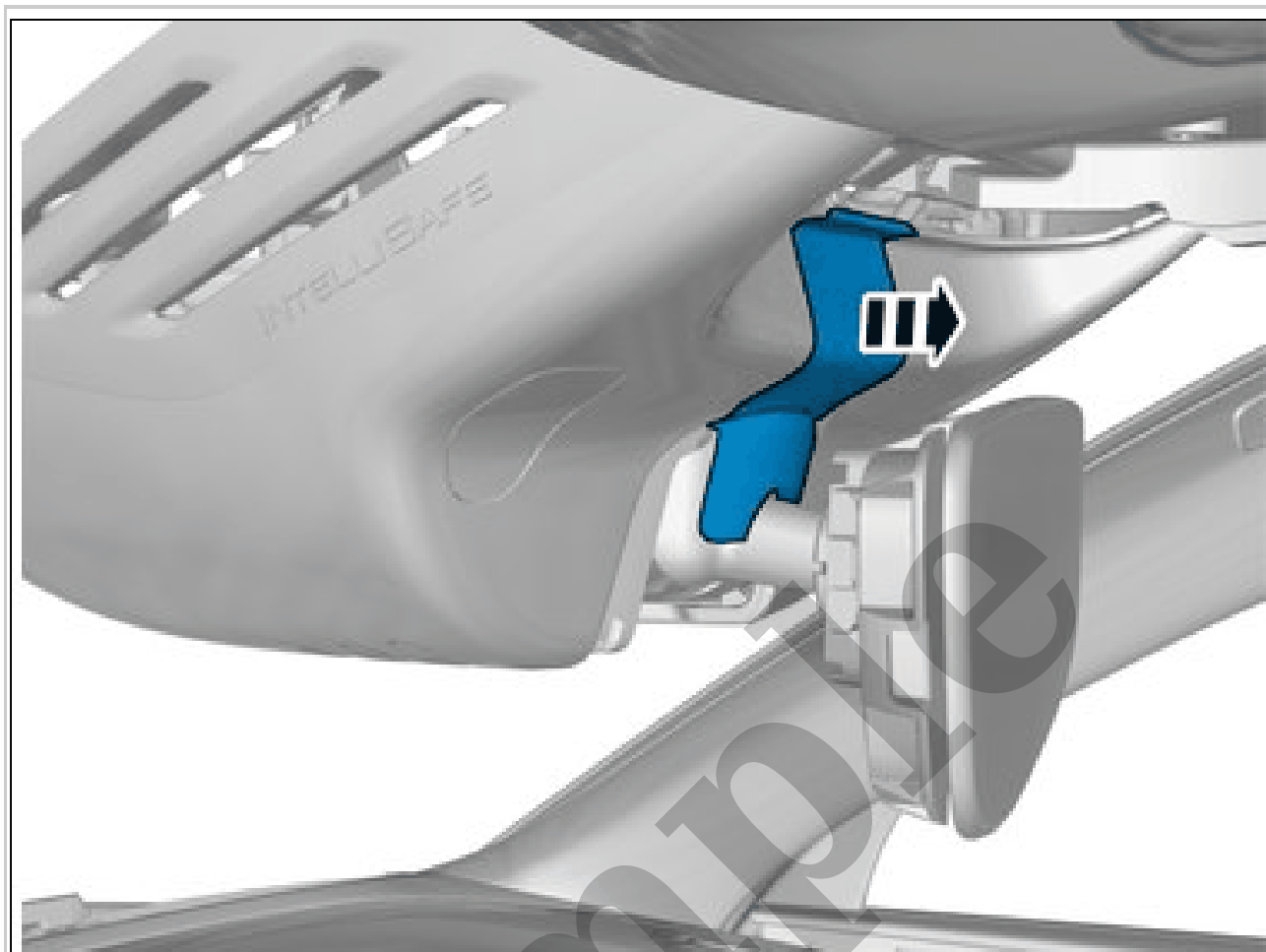
Remove the marked part.



Courtesy of VOLVO CARS CORPORATION

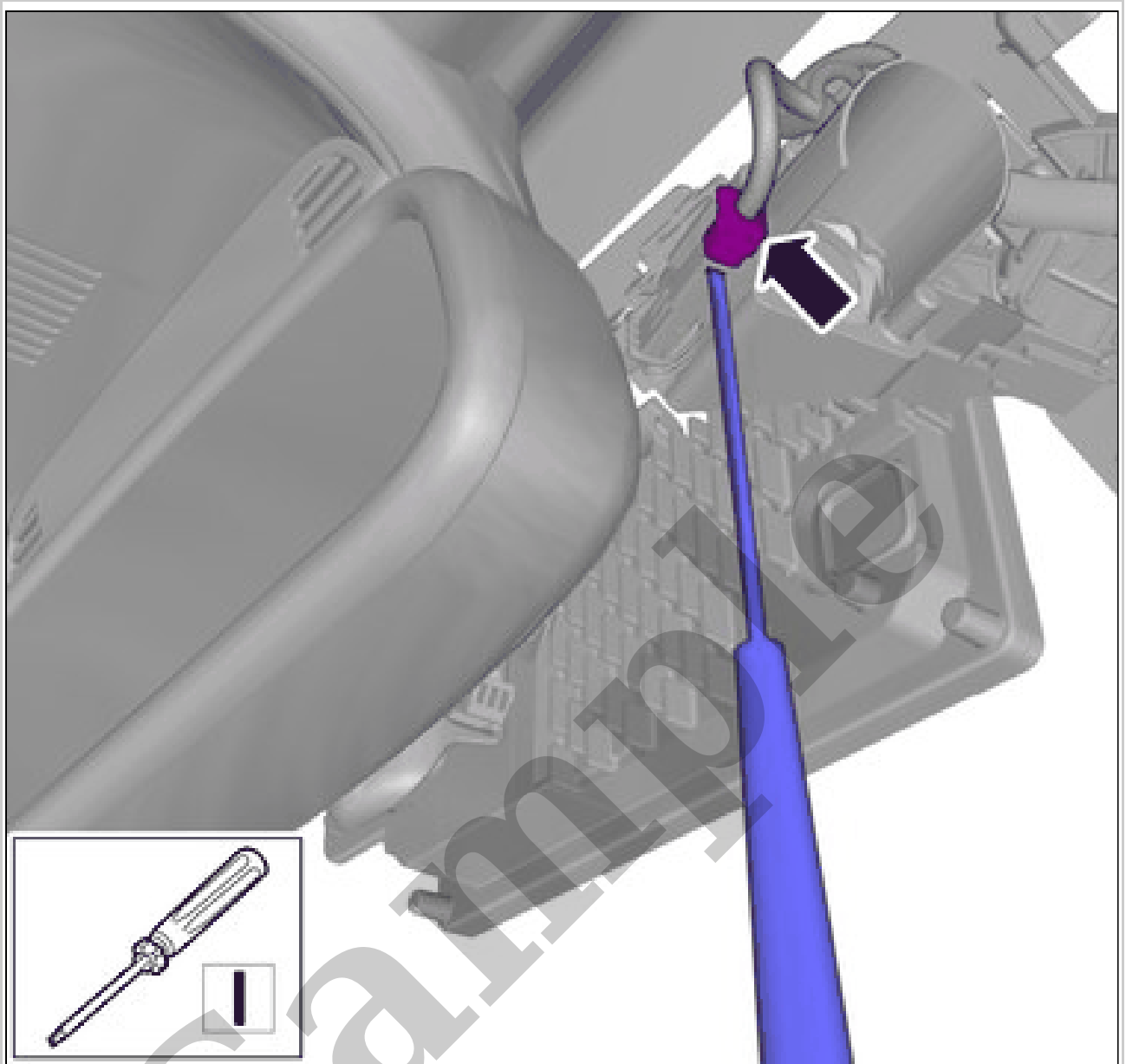
Remove the screw.

Torque: Cooling fan, to Active Safety Domain Master (ASDM), 4Nm



Courtesy of VOLVO CARS CORPORATION

Remove the marked part.



Courtesy of VOLVO CARS CORPORATION

Disconnect the connector.



Courtesy of VOLVO CARS CORPORATION

Remove the marked part.