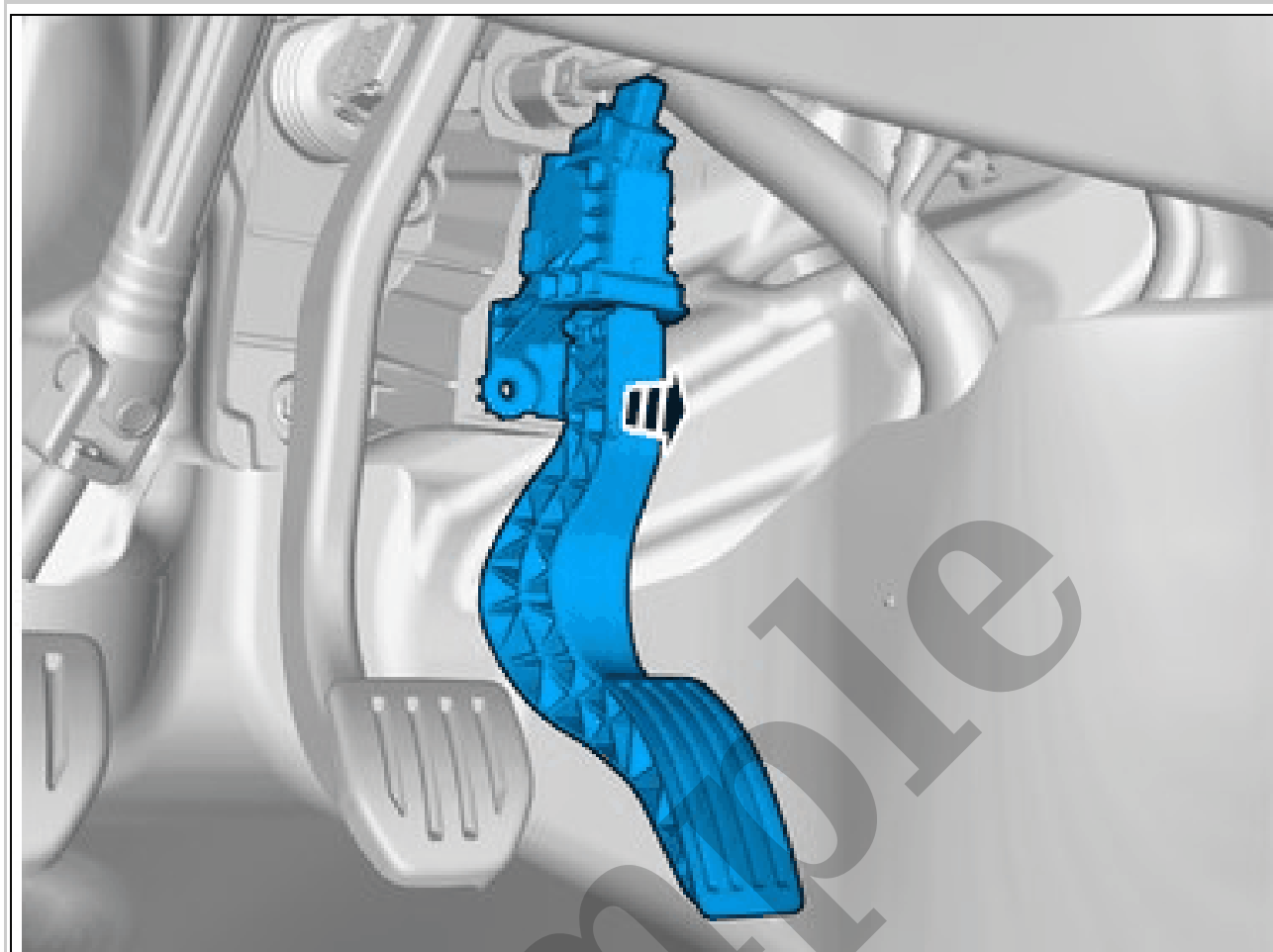


Your Ultimate Source for OEM Repair Manuals

FactoryManuals.net is a great resource for anyone who wants to save money on repairs by doing their own work. The manuals provide detailed instructions and diagrams that make it easy to understand how to fix a vehicle.

1986 VOLVO 780 OEM Service and Repair Workshop Manual

[Go to manual page](#)



Courtesy of VOLVO CARS CORPORATION

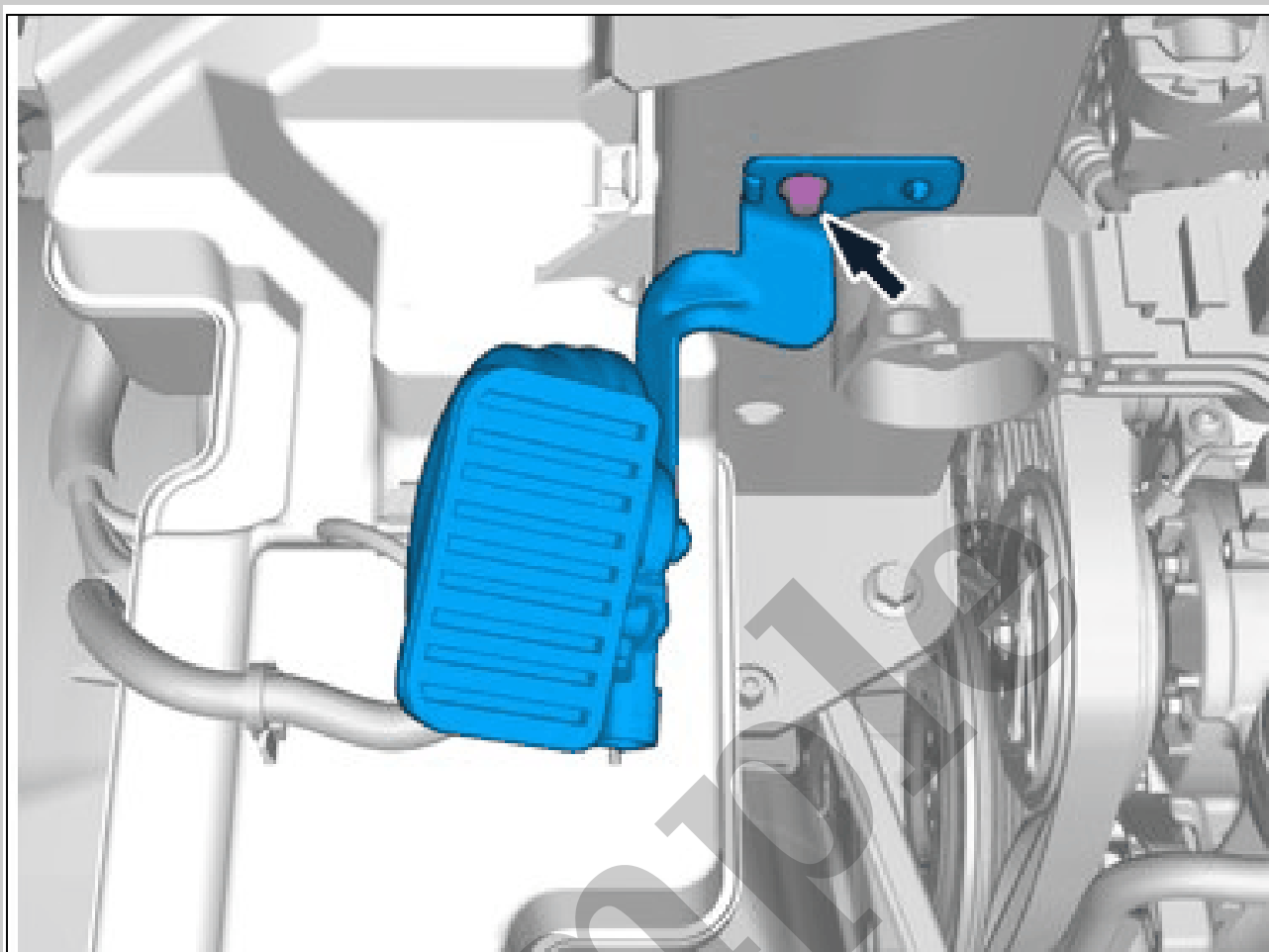
Remove the marked part.



Courtesy of VOLVO CARS CORPORATION

Download the appropriate software (application) for the accessory's function according to the service information in VIDA. See VIDA or the accessories catalogue for software part number.

INSTALLATION



Courtesy of VOLVO CARS CORPORATION

Remove the screw.

Torque: M6, 10Nm

Remove the marked part.

HORN > HORN [2018-2020 | 2021-2022, B4204T18; B4204T47] > INSTALLATION

To install, reverse the removal procedure.

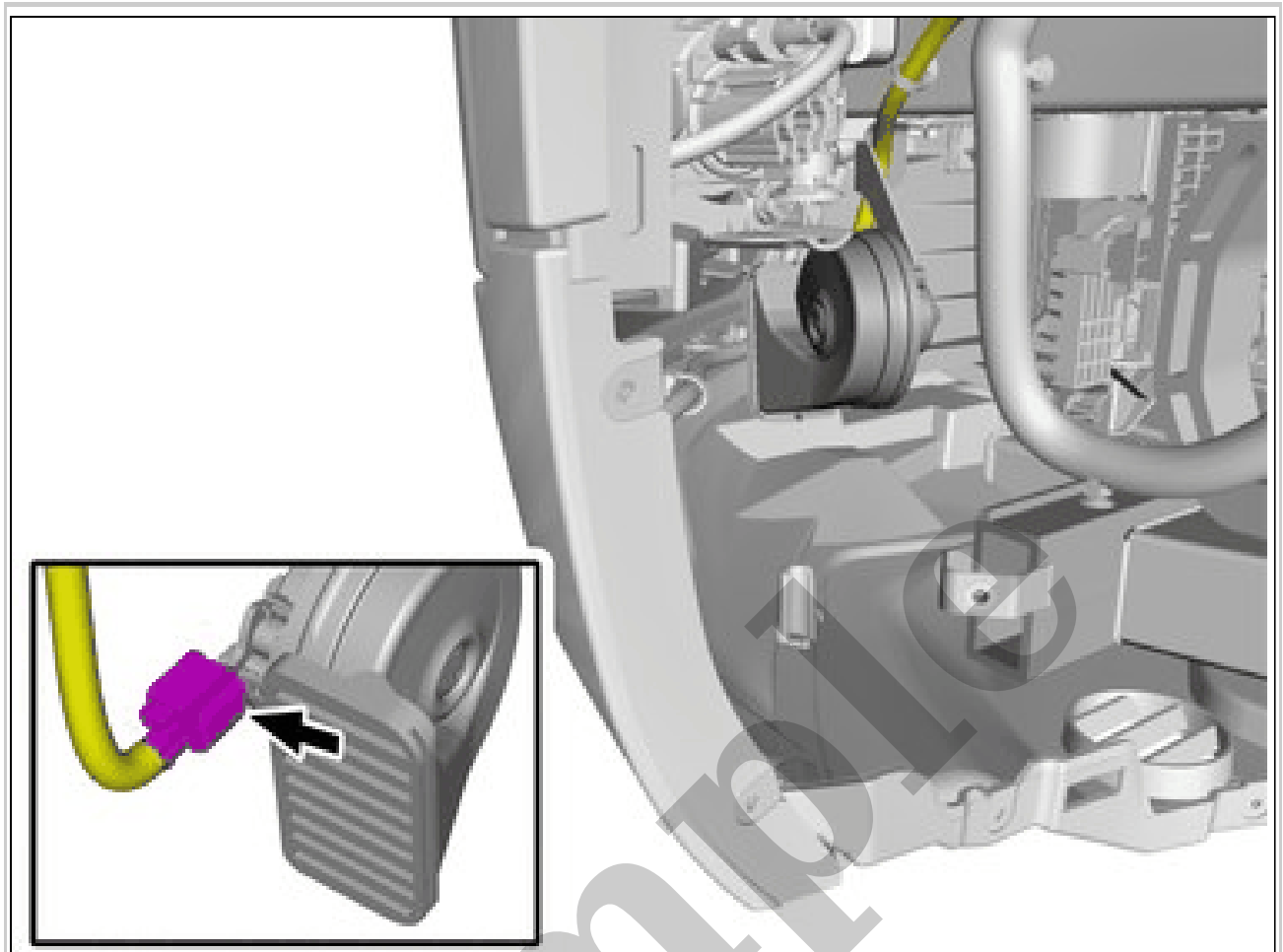
HORN > HORN [2021-2022, E400V6] > REMOVAL

NOTE: *Removal steps in this procedure may contain installation details.*

Perform battery disconnecting and connecting. Refer to: BATTERY DISCONNECTING AND CONNECTING

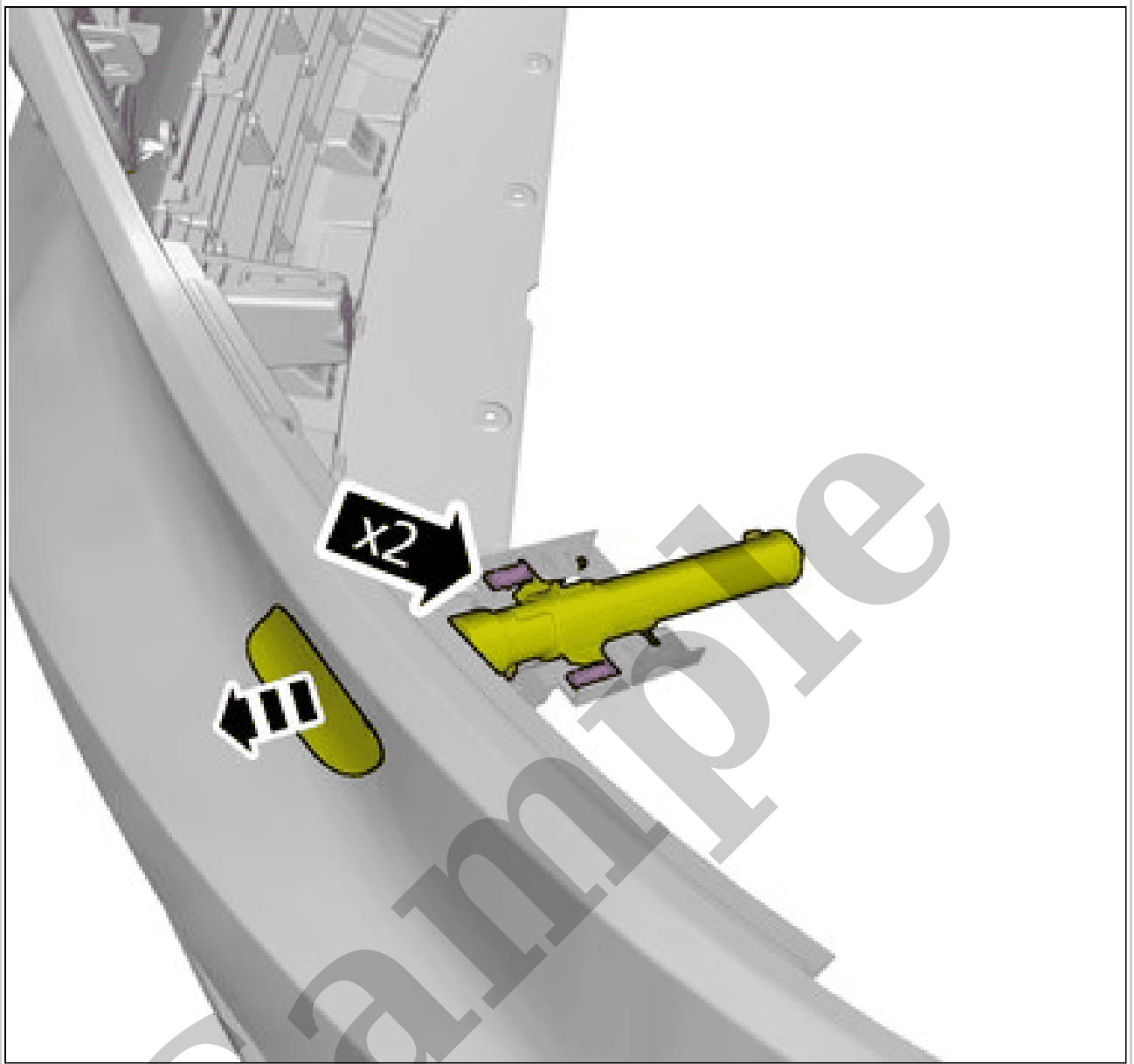
APPLIES TO THE LEFT-HAND SIDE:

Remove relevant side wheel. Refer to: WHEELS



Courtesy of VOLVO CARS CORPORATION

Disconnect the connector.



Courtesy of VOLVO CARS CORPORATION

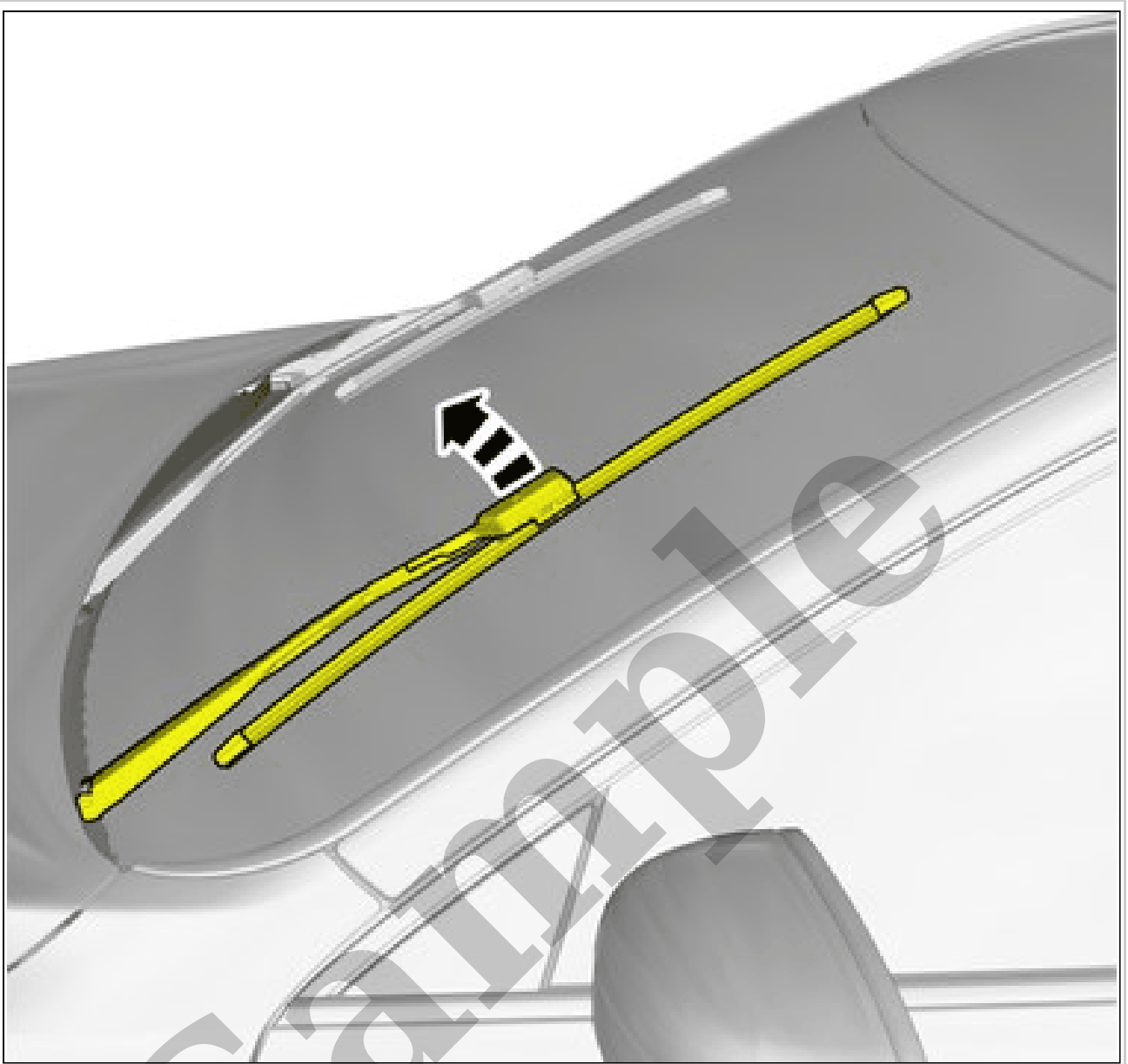
Release the catches.

**REAR WIPER ARM > REAR WIPER ARM [2018-2022] > REMOVAL AND
INSTALLATION**

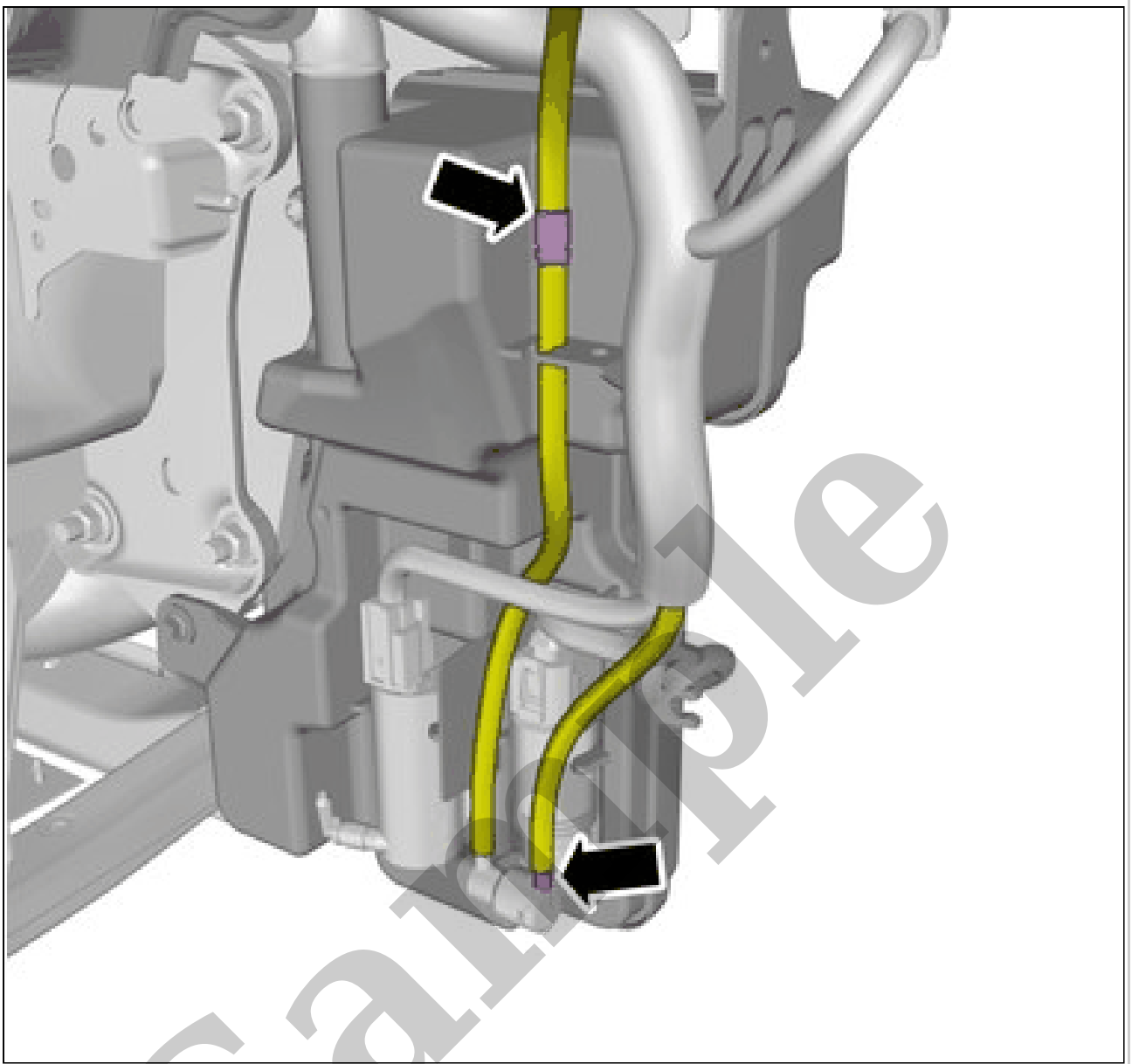
REMOVAL



Courtesy of VOLVO CARS CORPORATION



Courtesy of VOLVO CARS CORPORATION

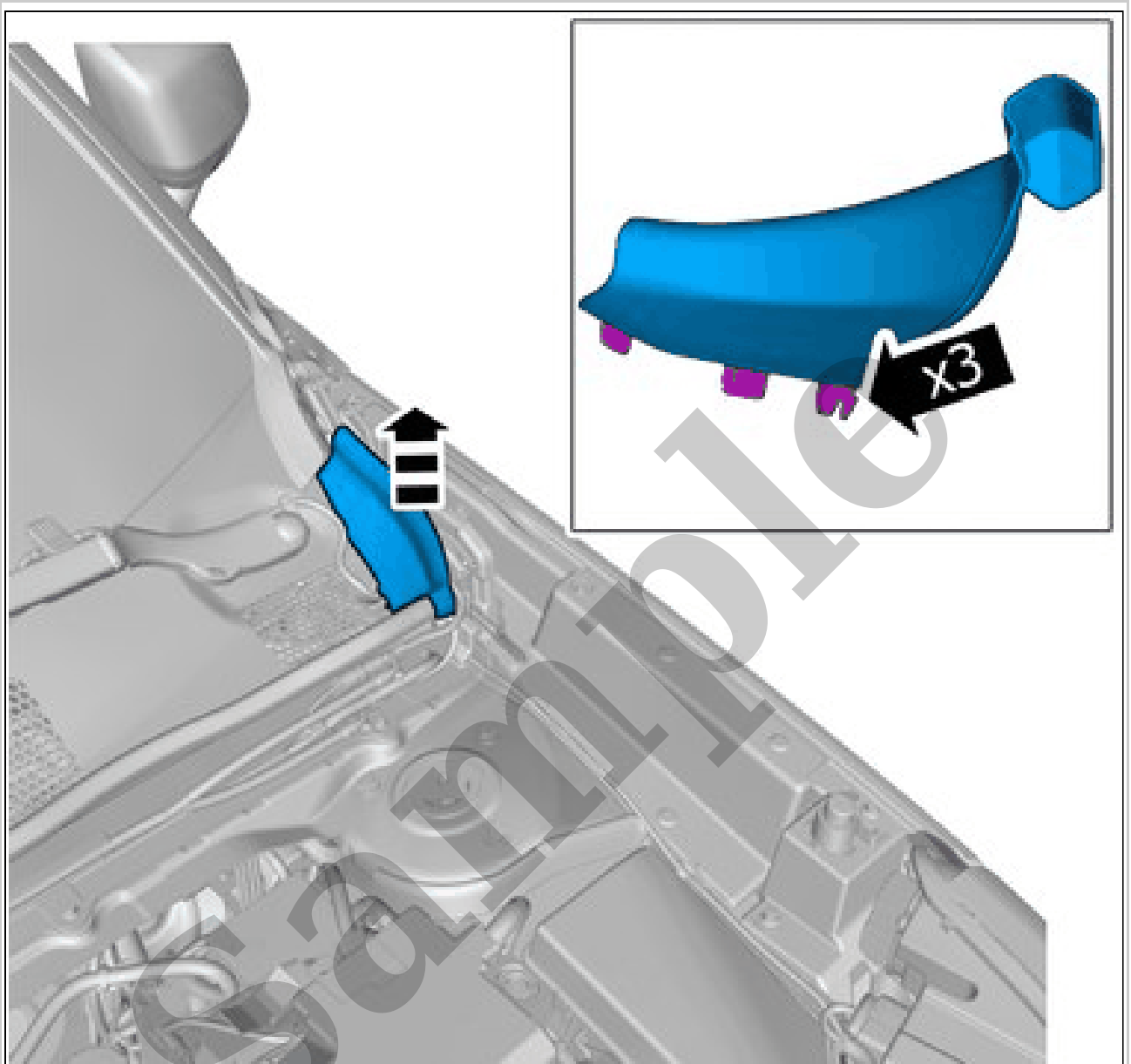


Courtesy of VOLVO CARS CORPORATION

WARNING: *Be prepared to collect escaping fluid.*

Undo the hoses from the connections.

installation details.



Courtesy of VOLVO CARS CORPORATION

Remove the marked part.