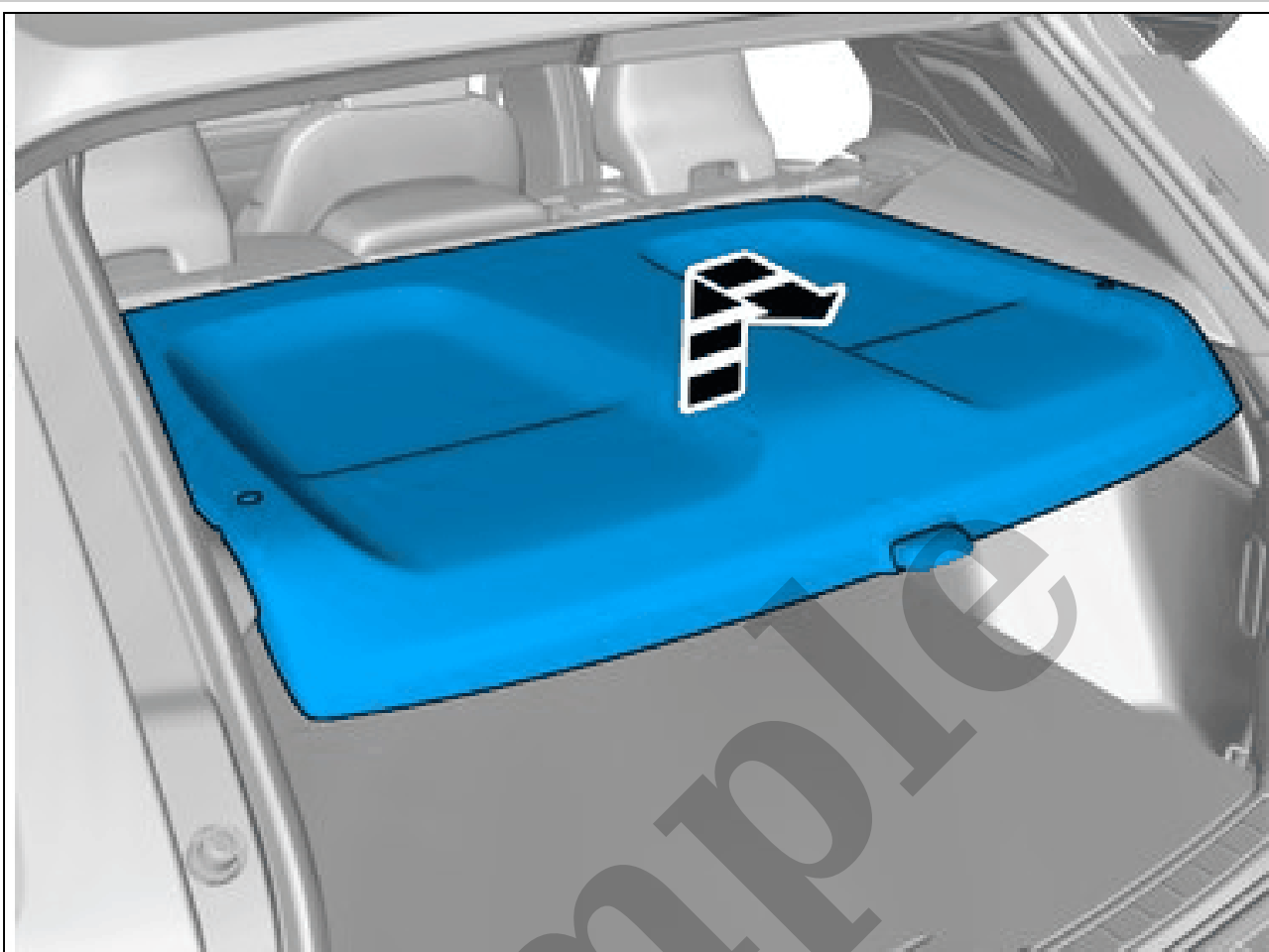


Your Ultimate Source for OEM Repair Manuals

FactoryManuals.net is a great resource for anyone who wants to save money on repairs by doing their own work. The manuals provide detailed instructions and diagrams that make it easy to understand how to fix a vehicle.

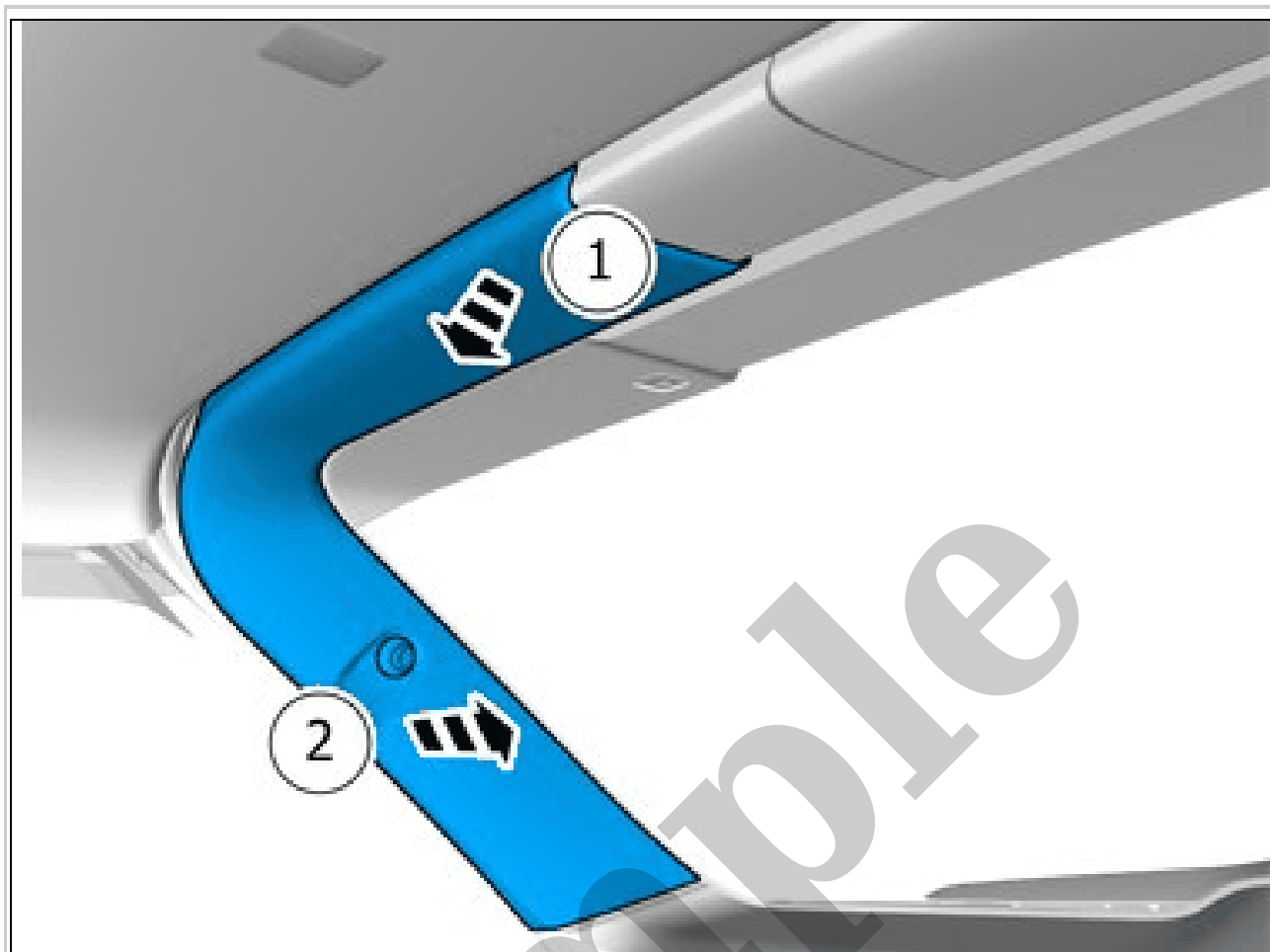
1986 VOLVO 760 OEM Service and Repair Workshop Manual

[Go to manual page](#)



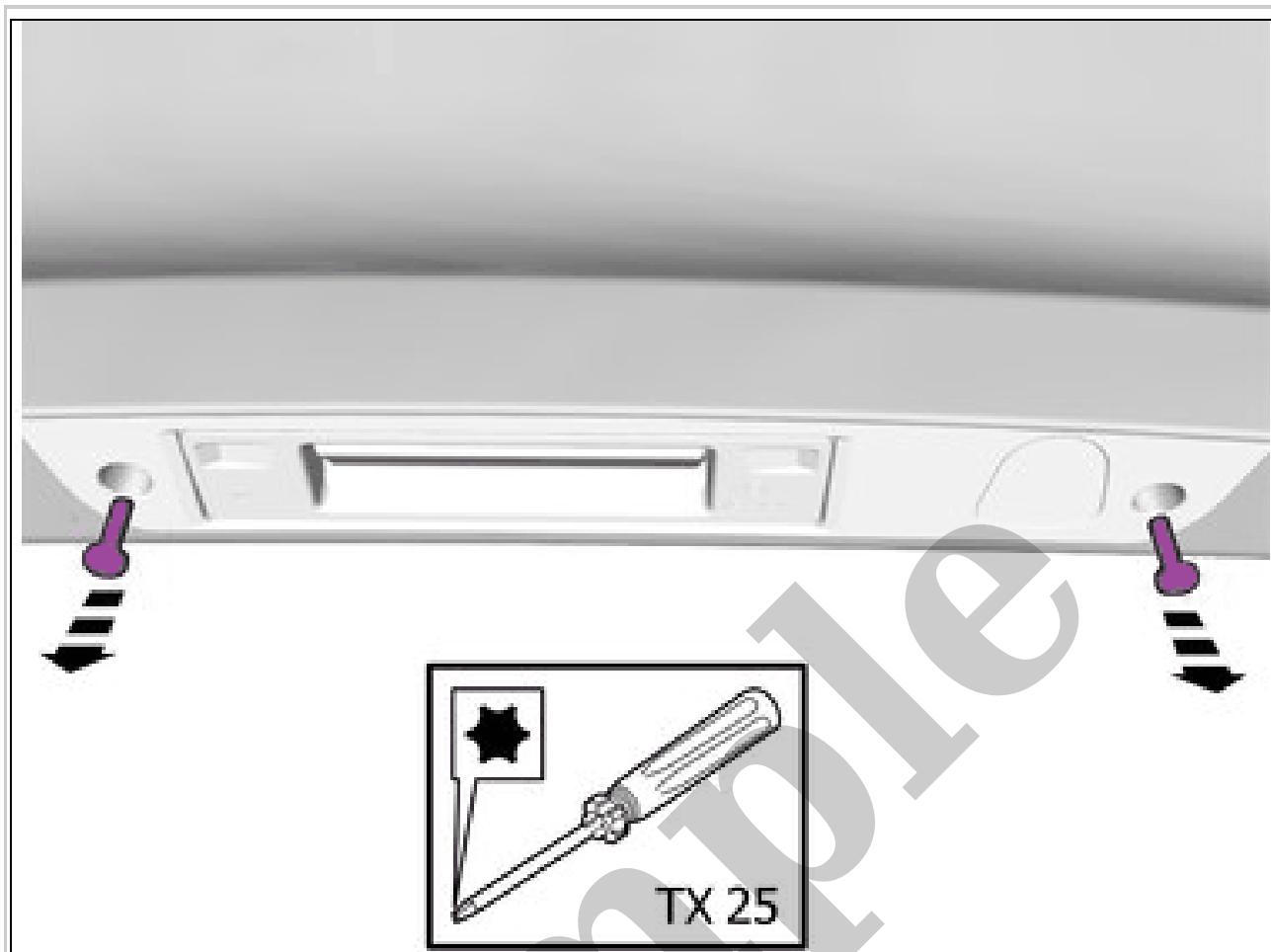
Courtesy of VOLVO CARS CORPORATION

Remove the marked part.



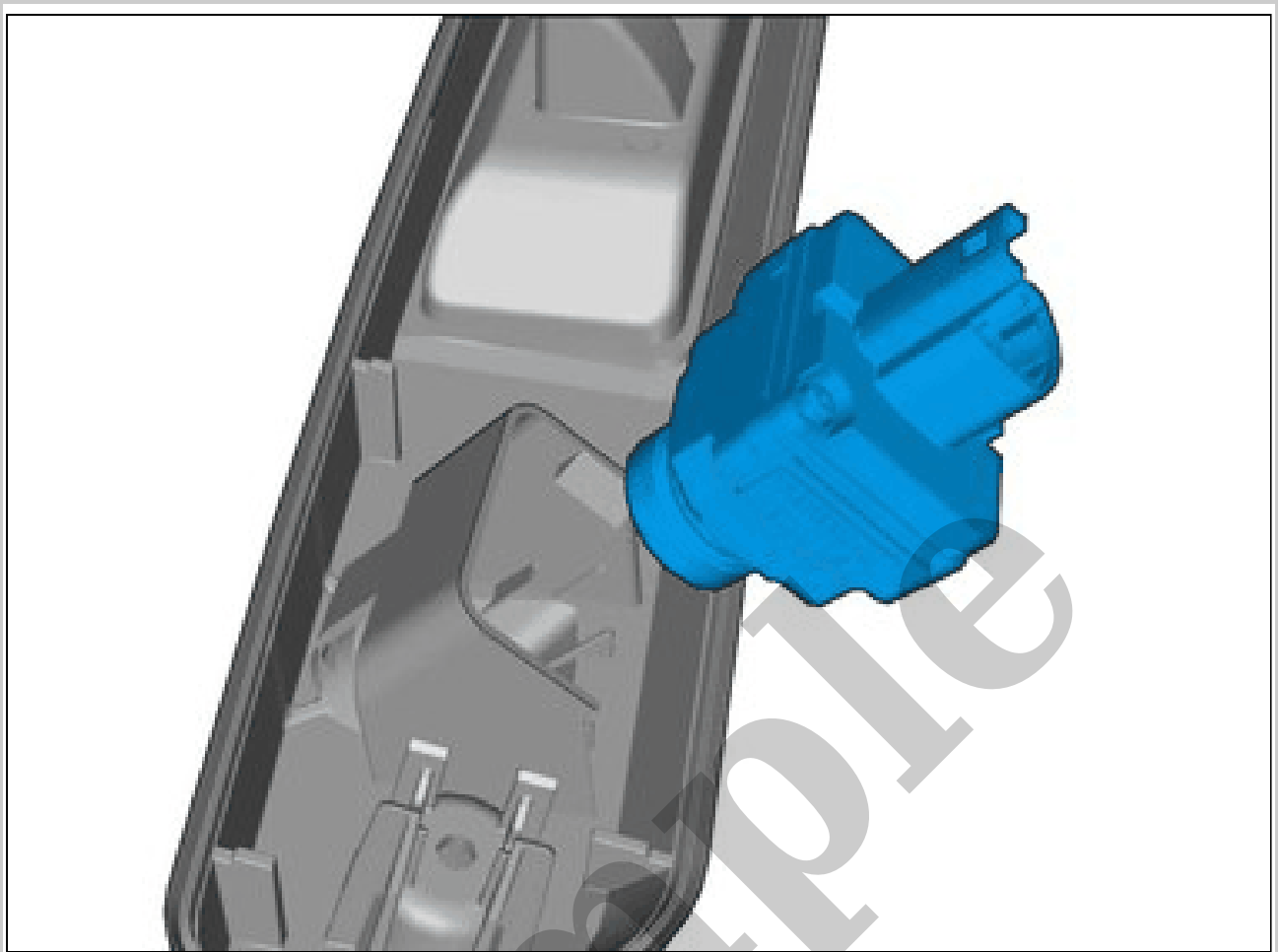
Courtesy of VOLVO CARS CORPORATION

Remove the marked part.
Repeat the steps when removing on opposite side.



Courtesy of VOLVO CARS CORPORATION

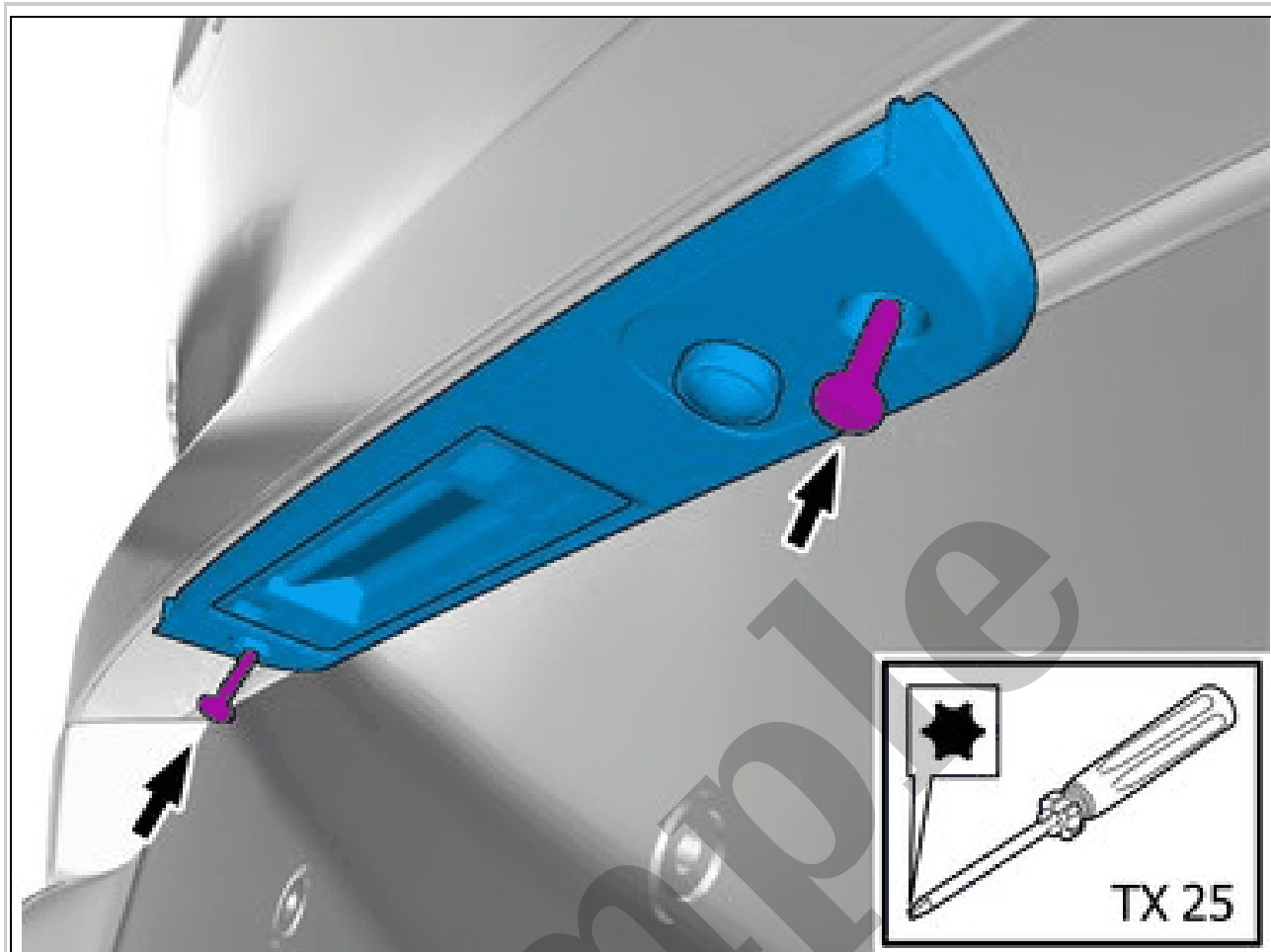
Remove the screws.



Courtesy of VOLVO CARS CORPORATION

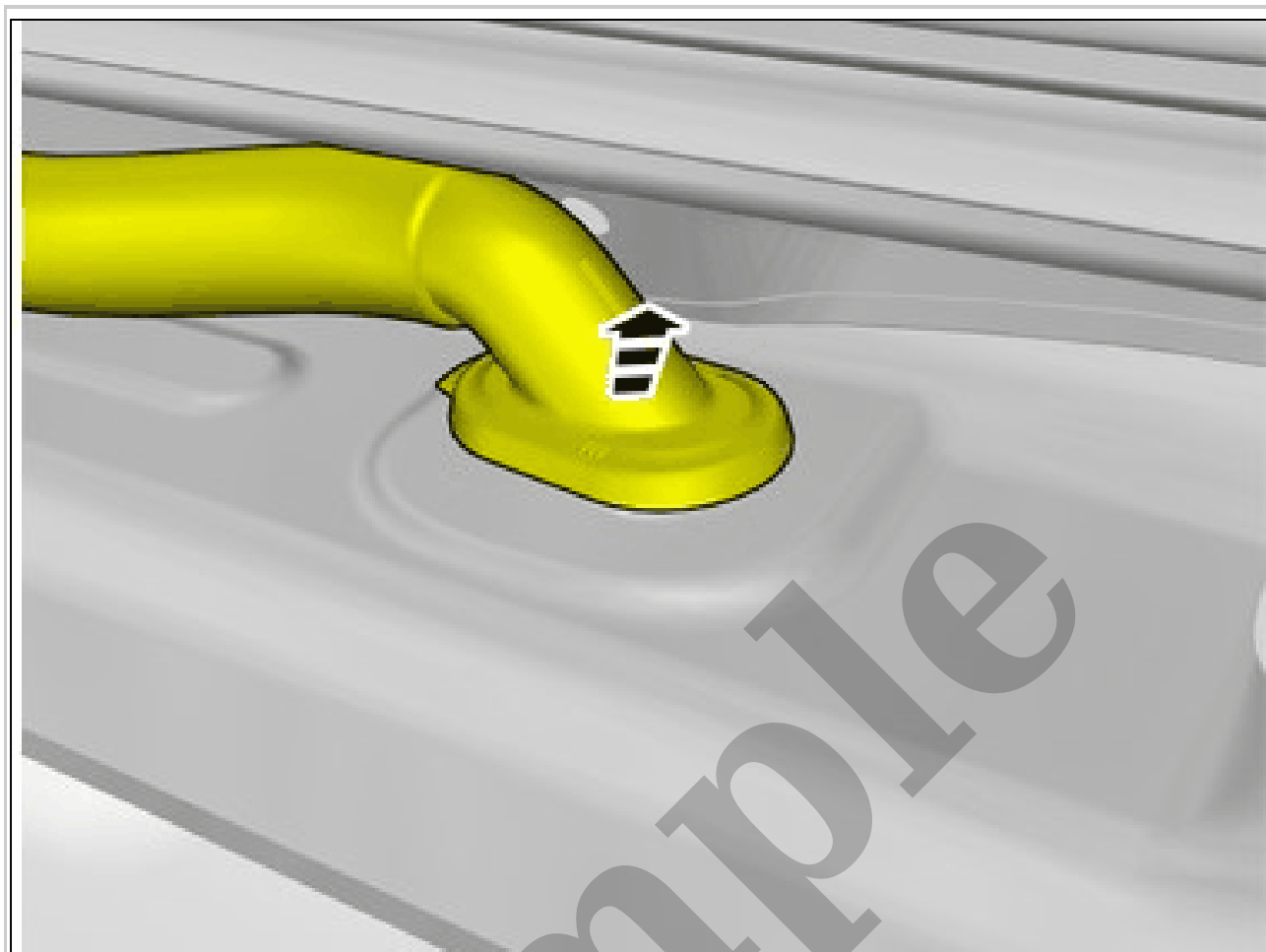
CAUTION: *Make sure the component is fitted as illustrated.*

Press using manual force several times.



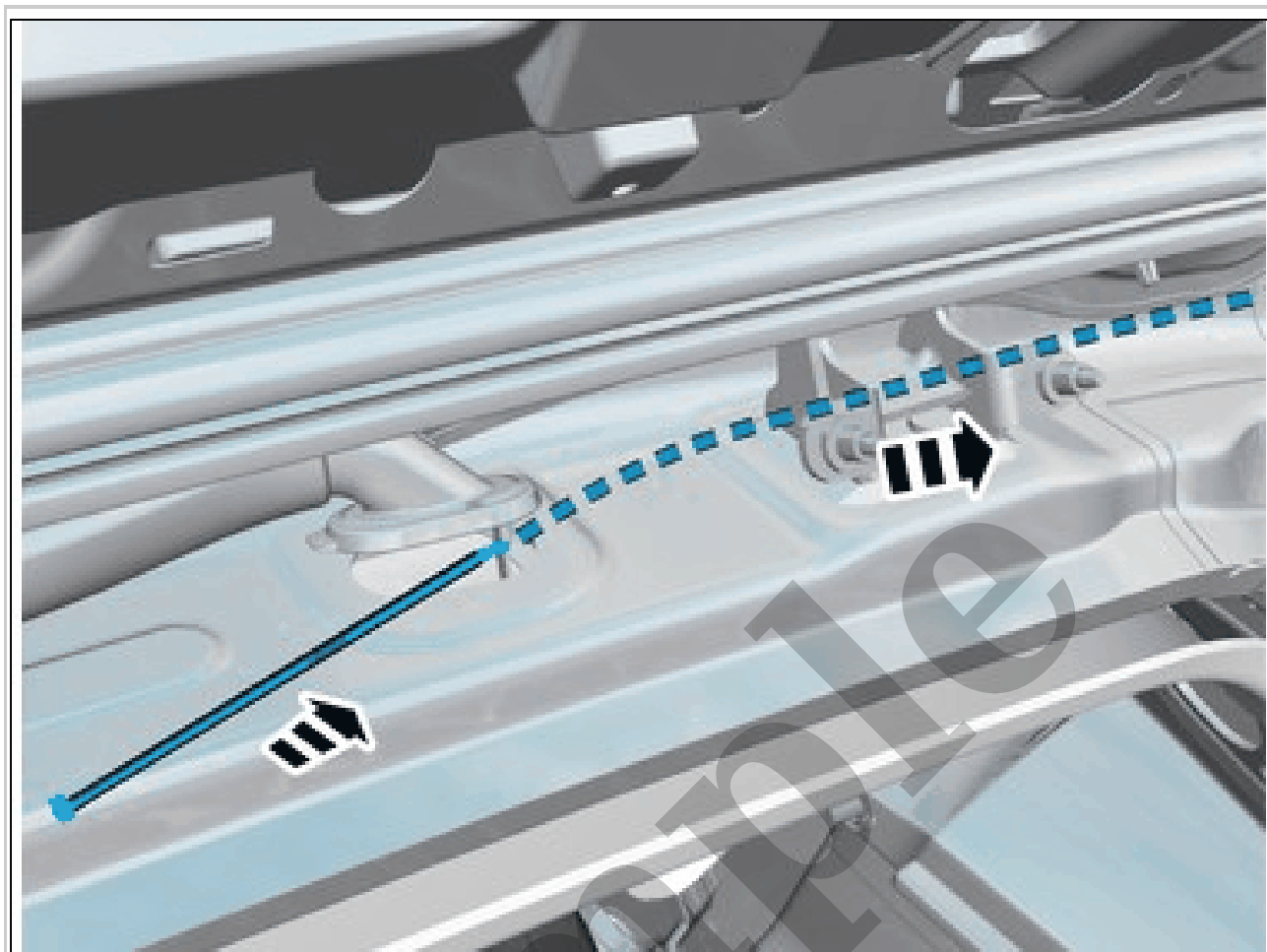
Courtesy of VOLVO CARS CORPORATION

Tighten the bolts.



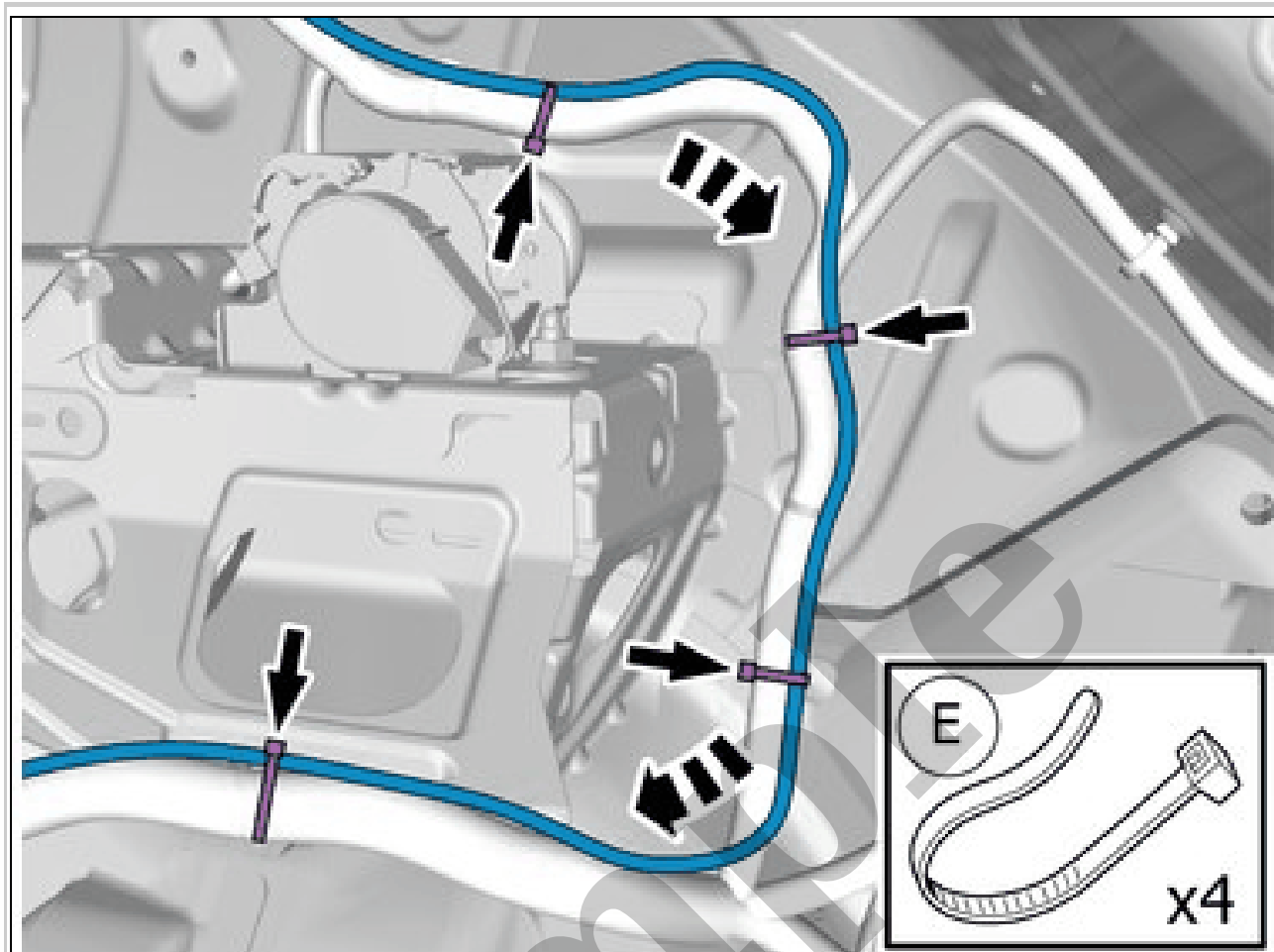
Courtesy of VOLVO CARS CORPORATION

Loosen the marked detail/details.
To be repeated in the other end of the component.



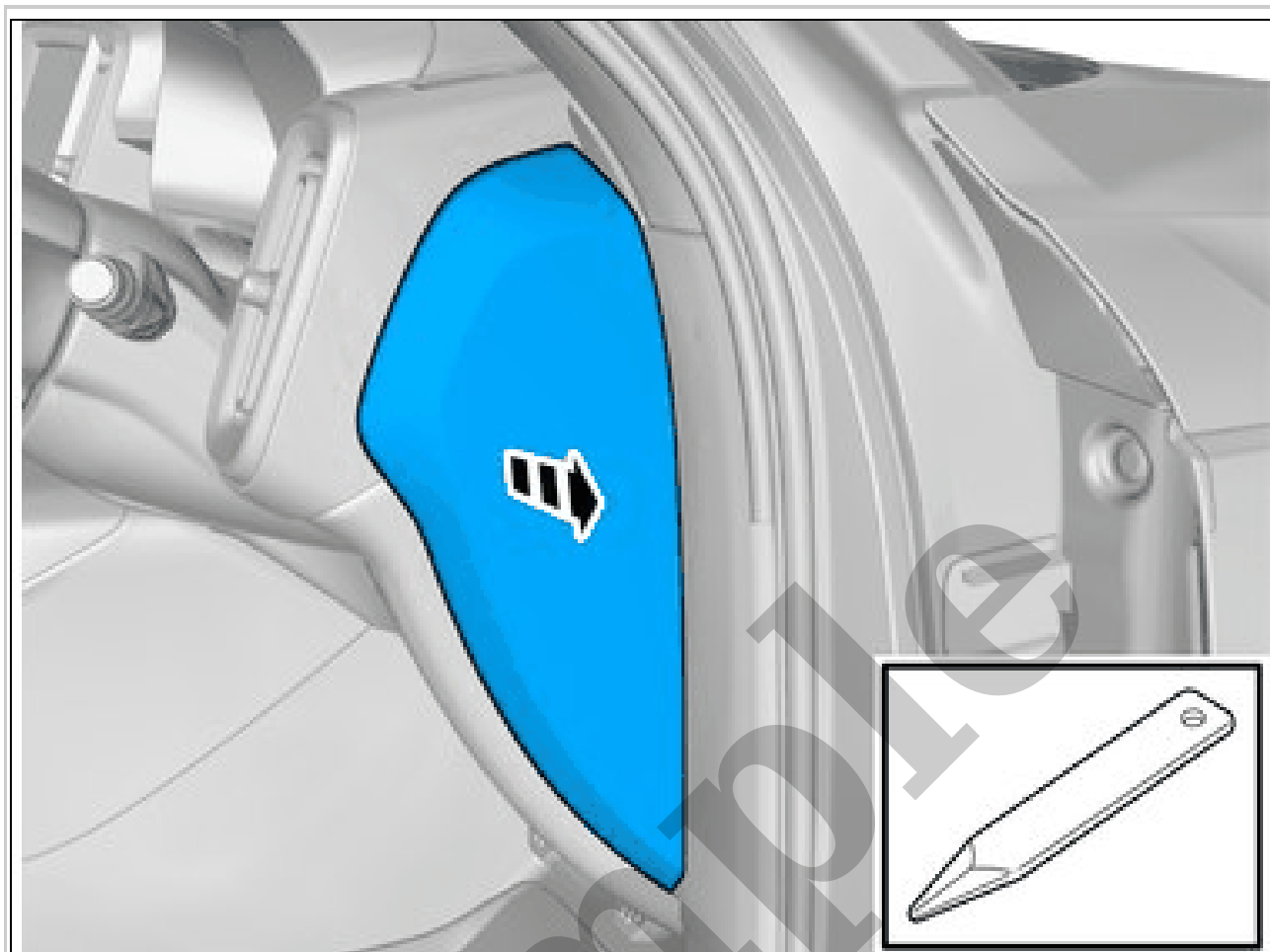
Courtesy of VOLVO CARS CORPORATION

Pull the wiring through.



Courtesy of VOLVO CARS CORPORATION

Route the wire adjacent to existing wirings.
Install the cable.
Use a cable tie



Courtesy of VOLVO CARS CORPORATION

Remove the marked part.