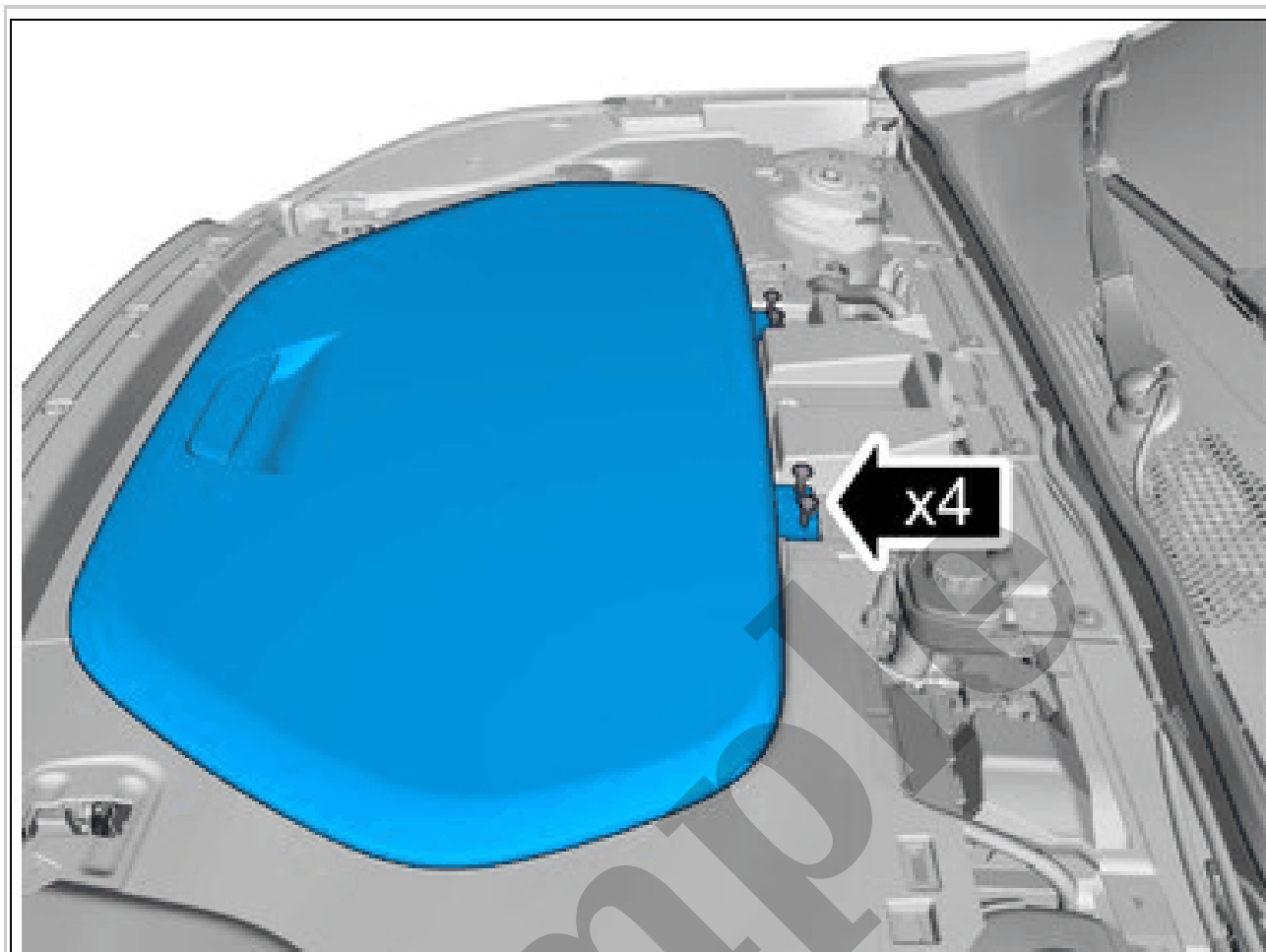


Your Ultimate Source for OEM Repair Manuals

FactoryManuals.net is a great resource for anyone who wants to save money on repairs by doing their own work. The manuals provide detailed instructions and diagrams that make it easy to understand how to fix a vehicle.

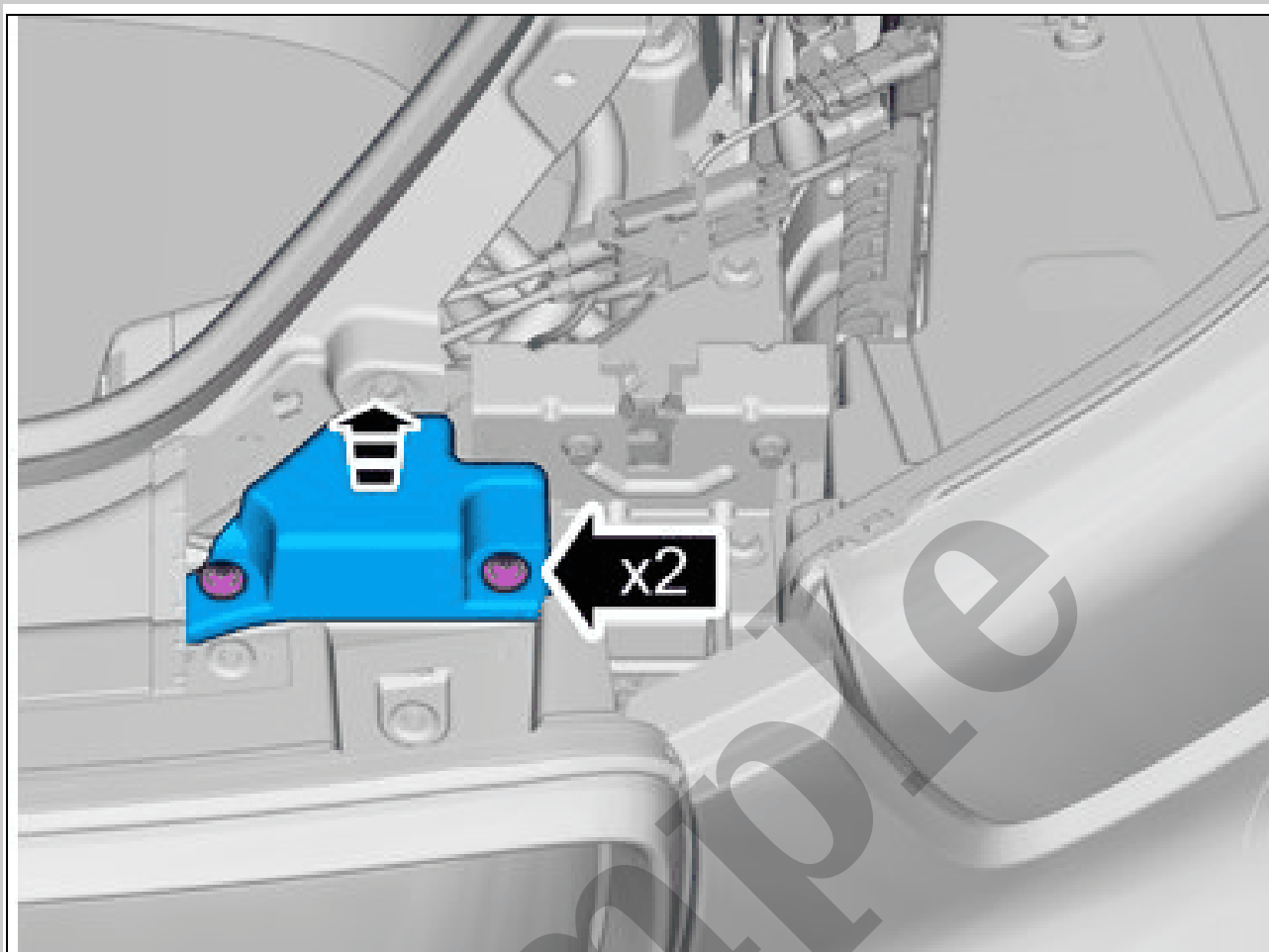
1985 VOLVO 760 OEM Service and Repair Workshop Manual

[Go to manual page](#)



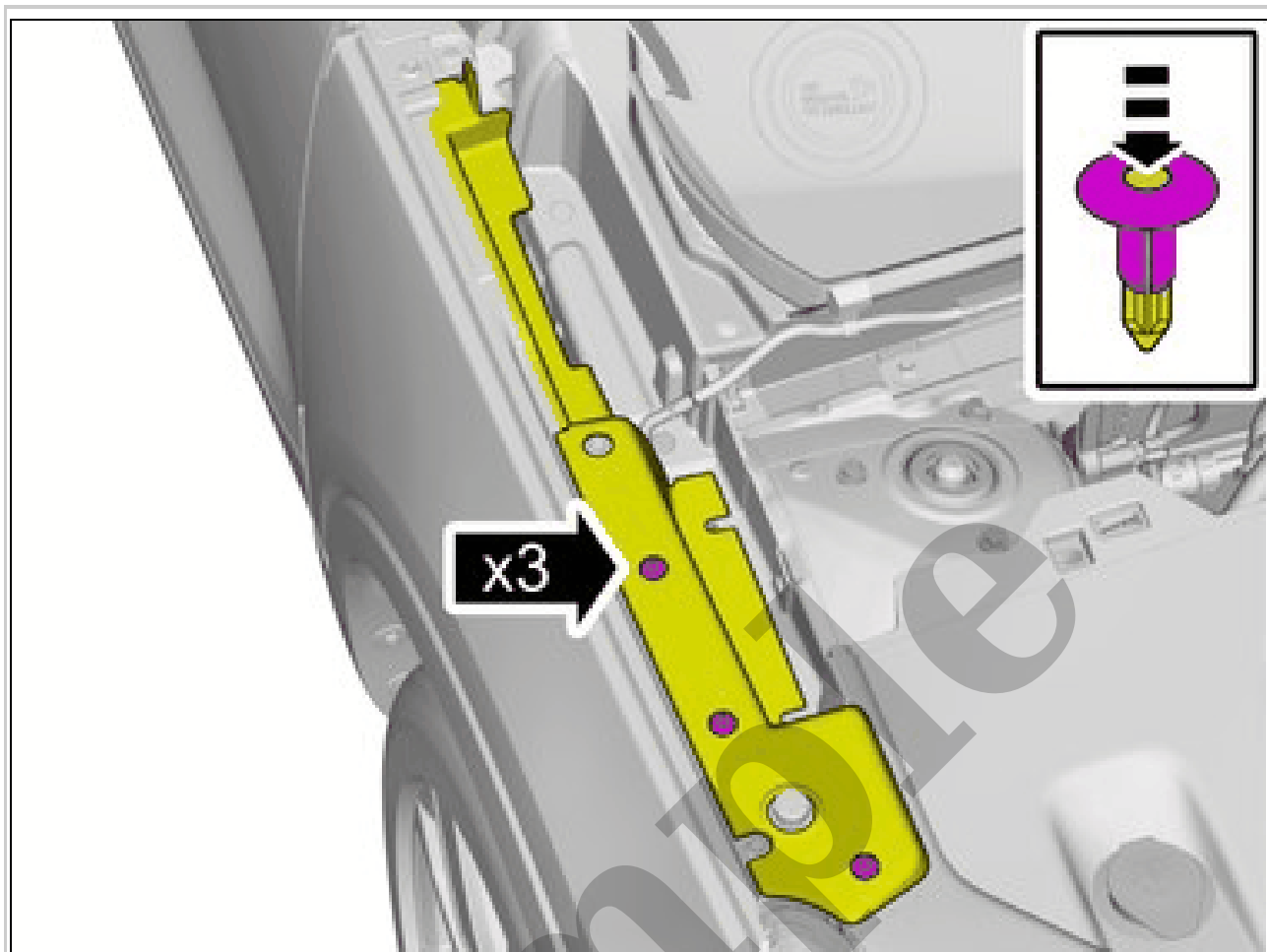
Courtesy of VOLVO CARS CORPORATION

Remove the screws.



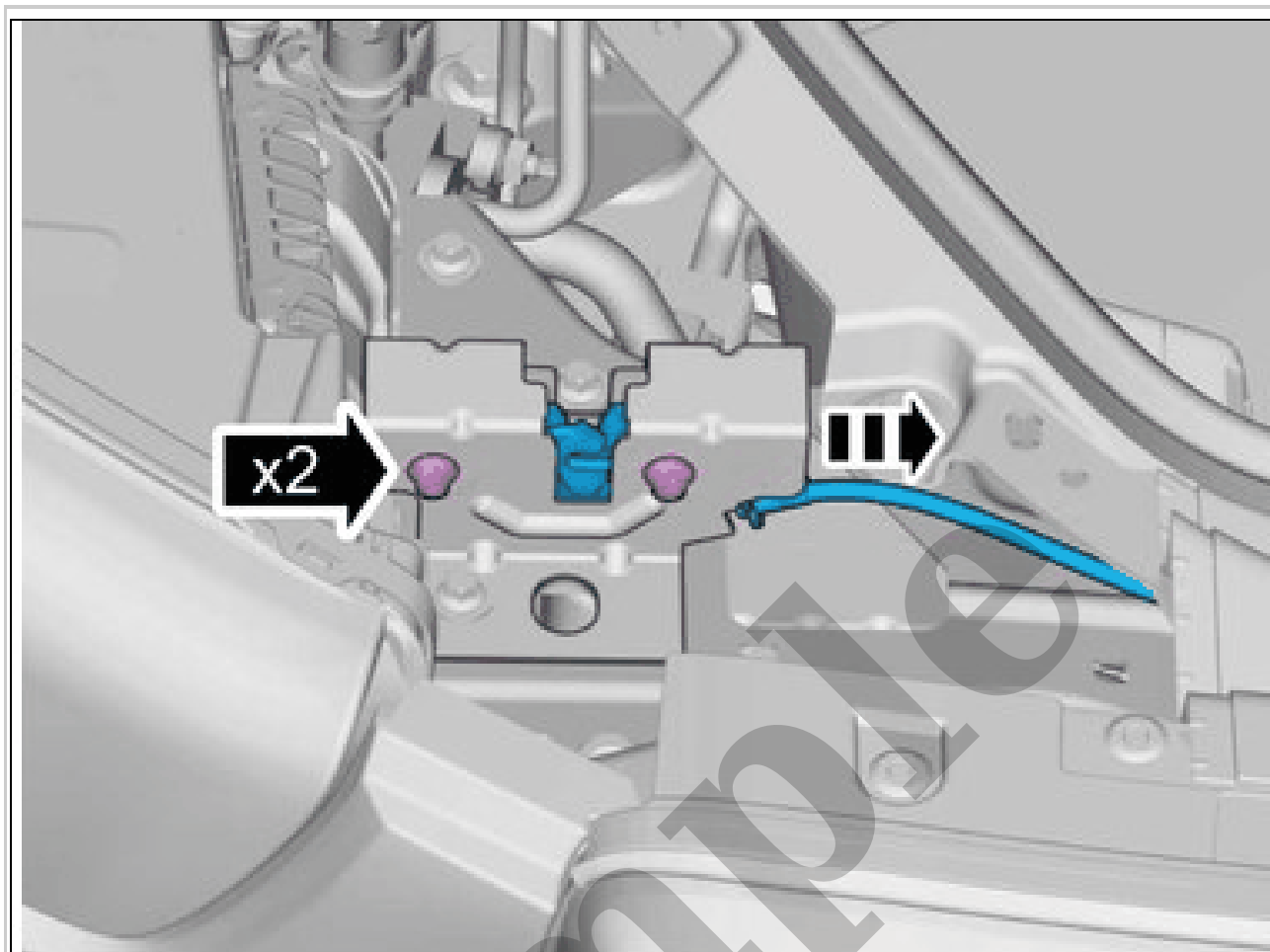
Courtesy of VOLVO CARS CORPORATION

Remove the screws.
Remove the marked part.



Courtesy of VOLVO CARS CORPORATION

Loosen the component indicated. Do not remove it.
Remove the clips.

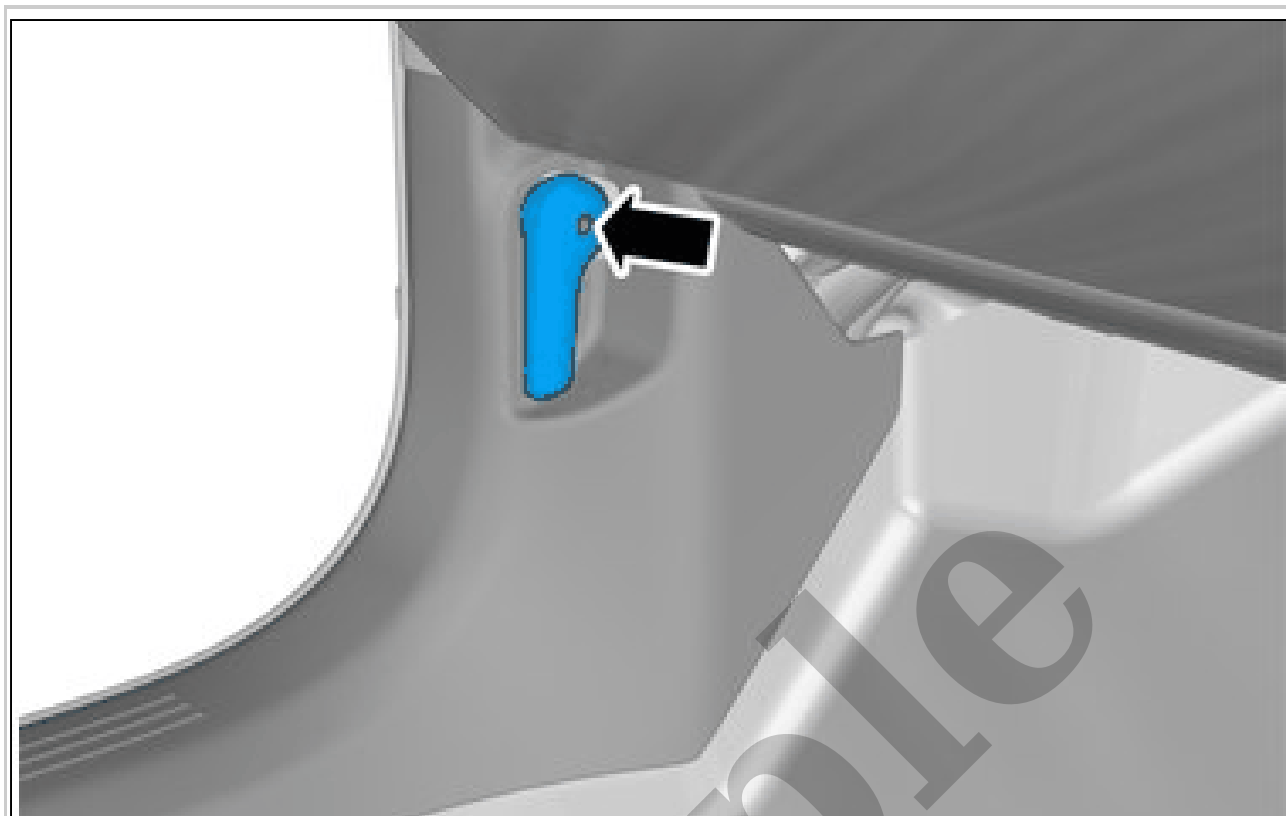


Courtesy of VOLVO CARS CORPORATION

Remove the screws.

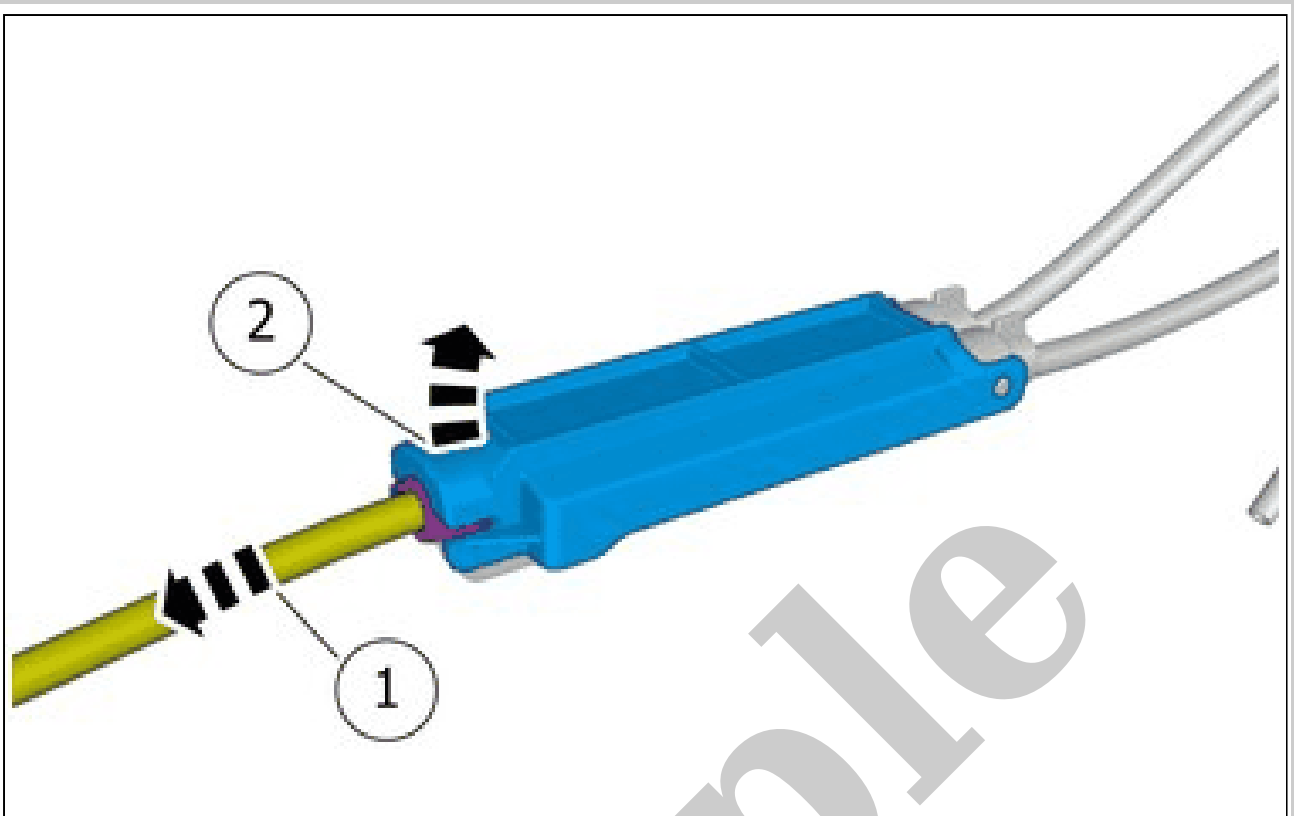
Torque: M6, 10Nm

Pull the component in direction of the arrow.



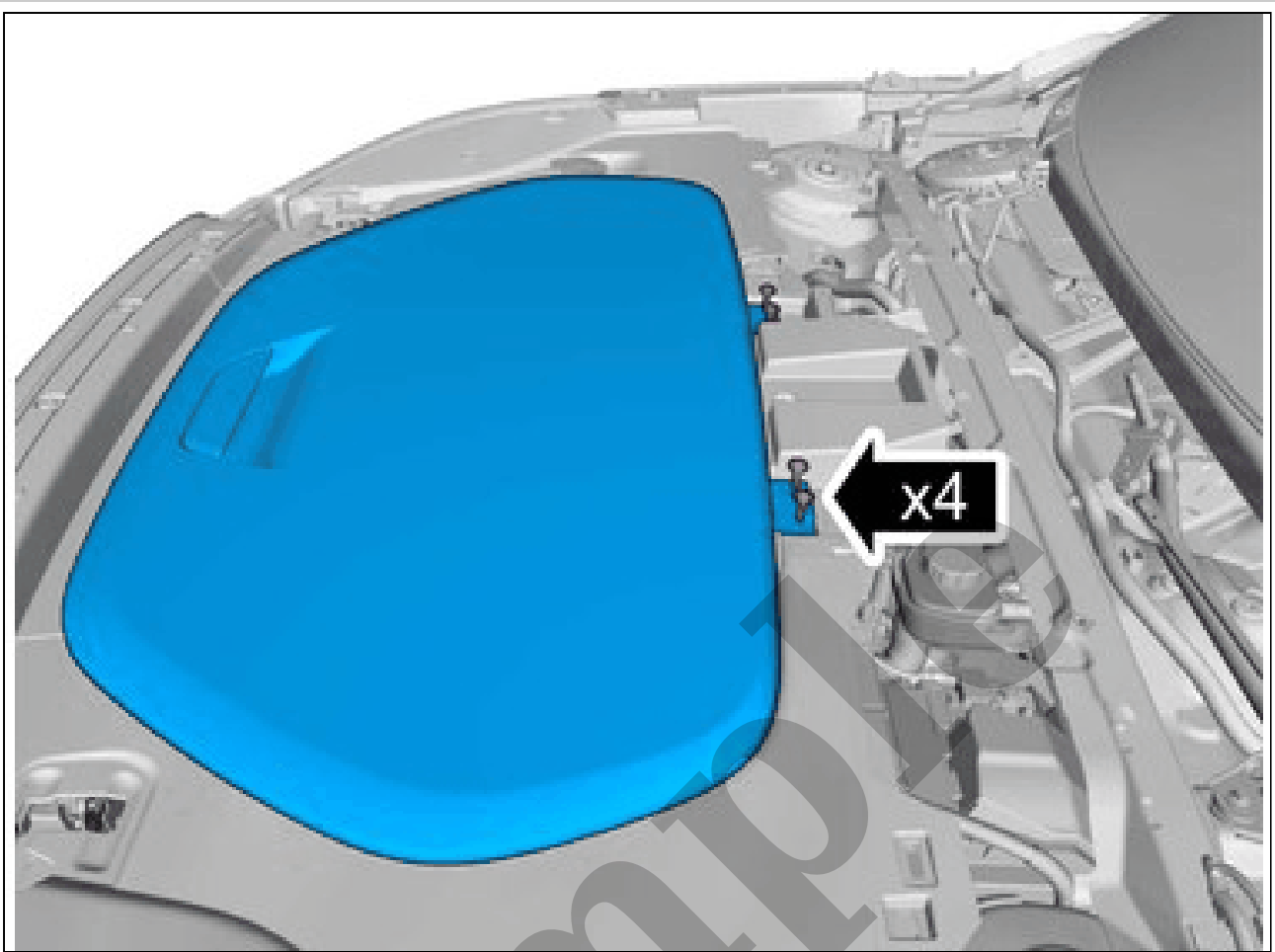
Courtesy of VOLVO CARS CORPORATION

Remove the screw.
Remove the marked part.



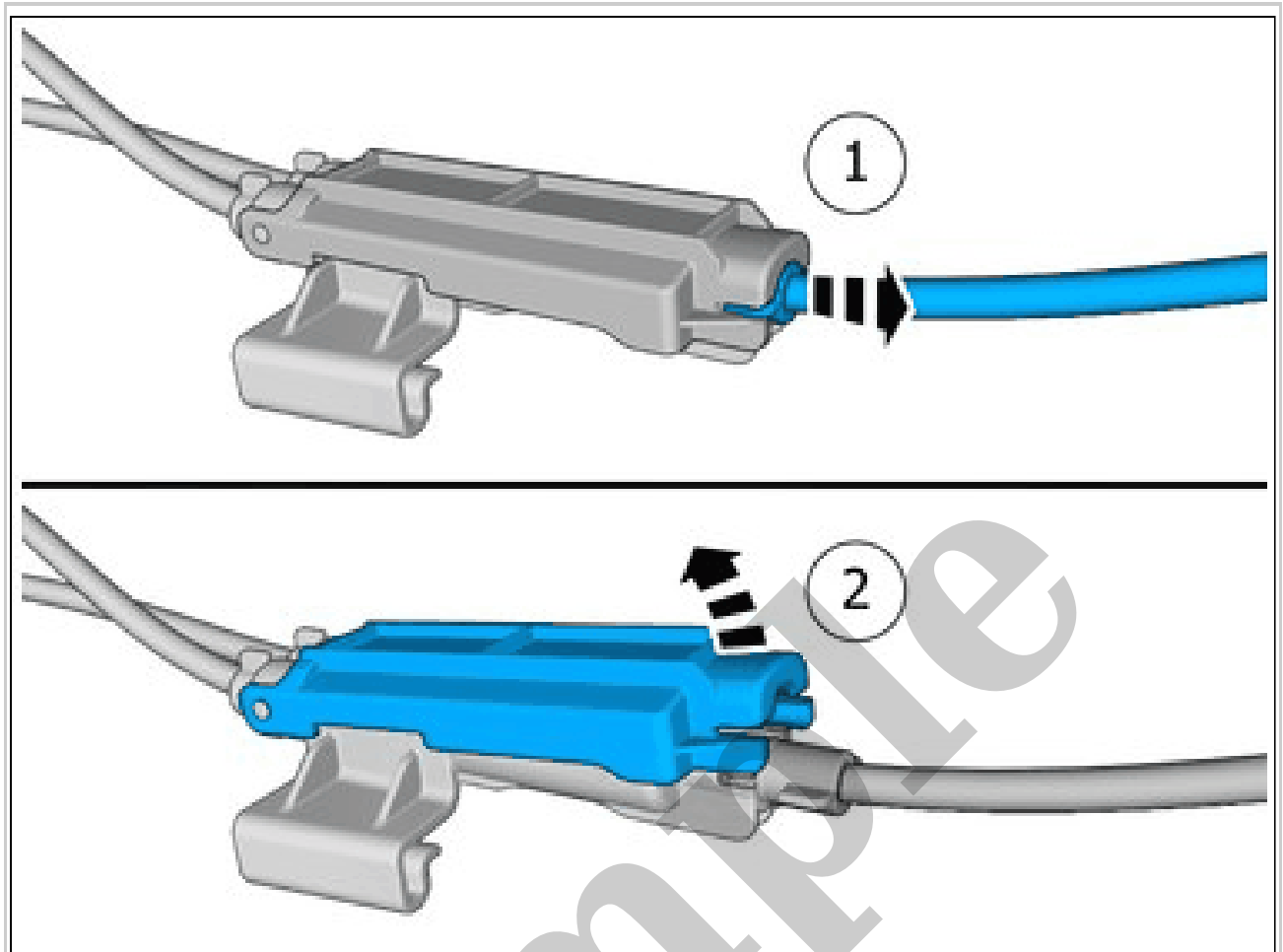
Courtesy of VOLVO CARS CORPORATION

Sample

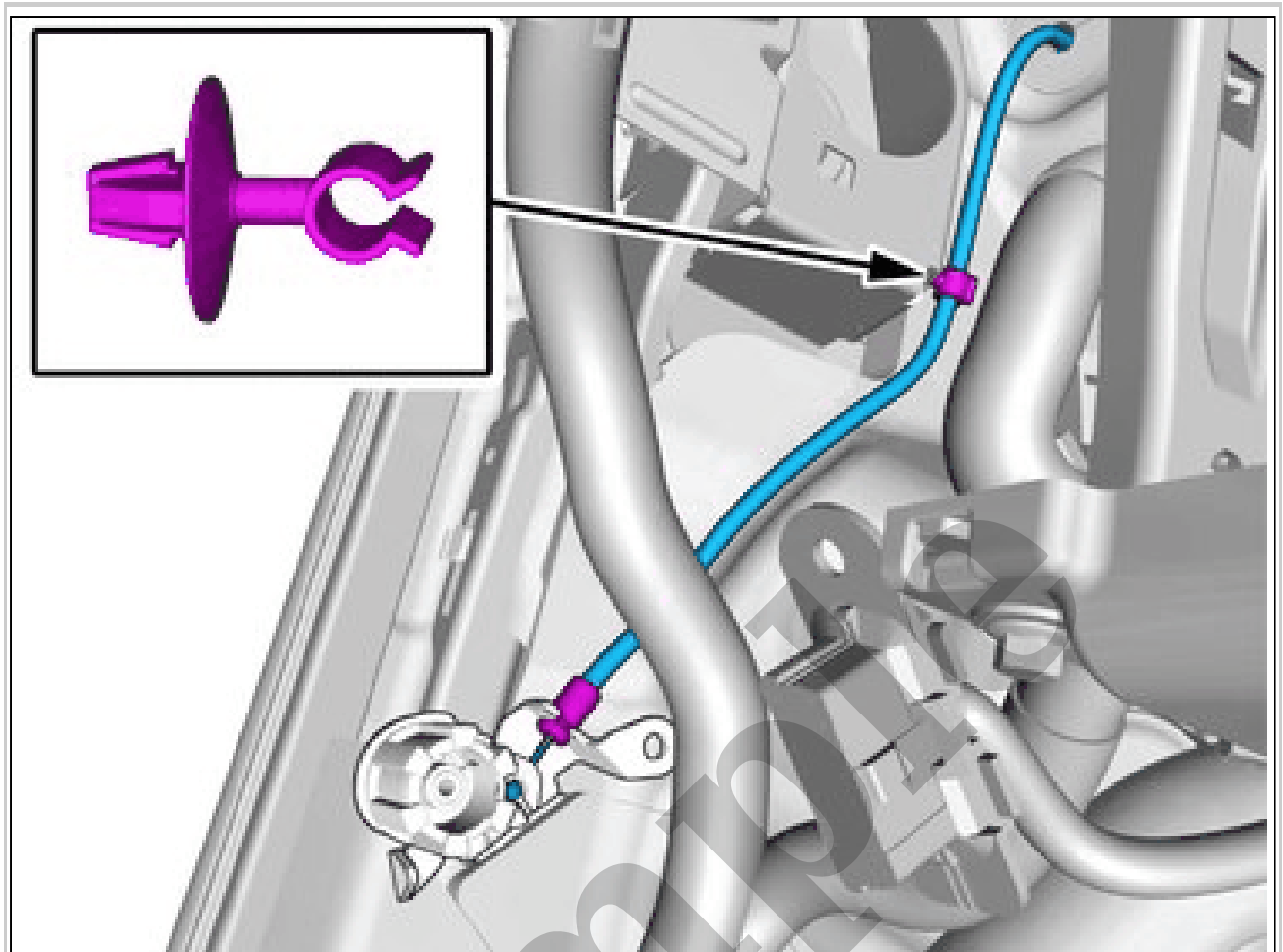


Courtesy of VOLVO CARS CORPORATION

Remove the screws.



Courtesy of VOLVO CARS CORPORATION



Courtesy of VOLVO CARS CORPORATION

NOTE: Orientation view

Note position of components.