

Your Ultimate Source for OEM Repair Manuals

FactoryManuals.net is a great resource for anyone who wants to save money on repairs by doing their own work. The manuals provide detailed instructions and diagrams that make it easy to understand how to fix a vehicle.

1985 VOLVO 760 Estate OEM Service and Repair Workshop Manual

[Go to manual page](#)

The hood hinge releaser is directly connected to the Supplemental Restraint System Module (SRS).

HOOD LATCH > HOOD LATCH (3/62) [2018-2022] > DESCRIPTION

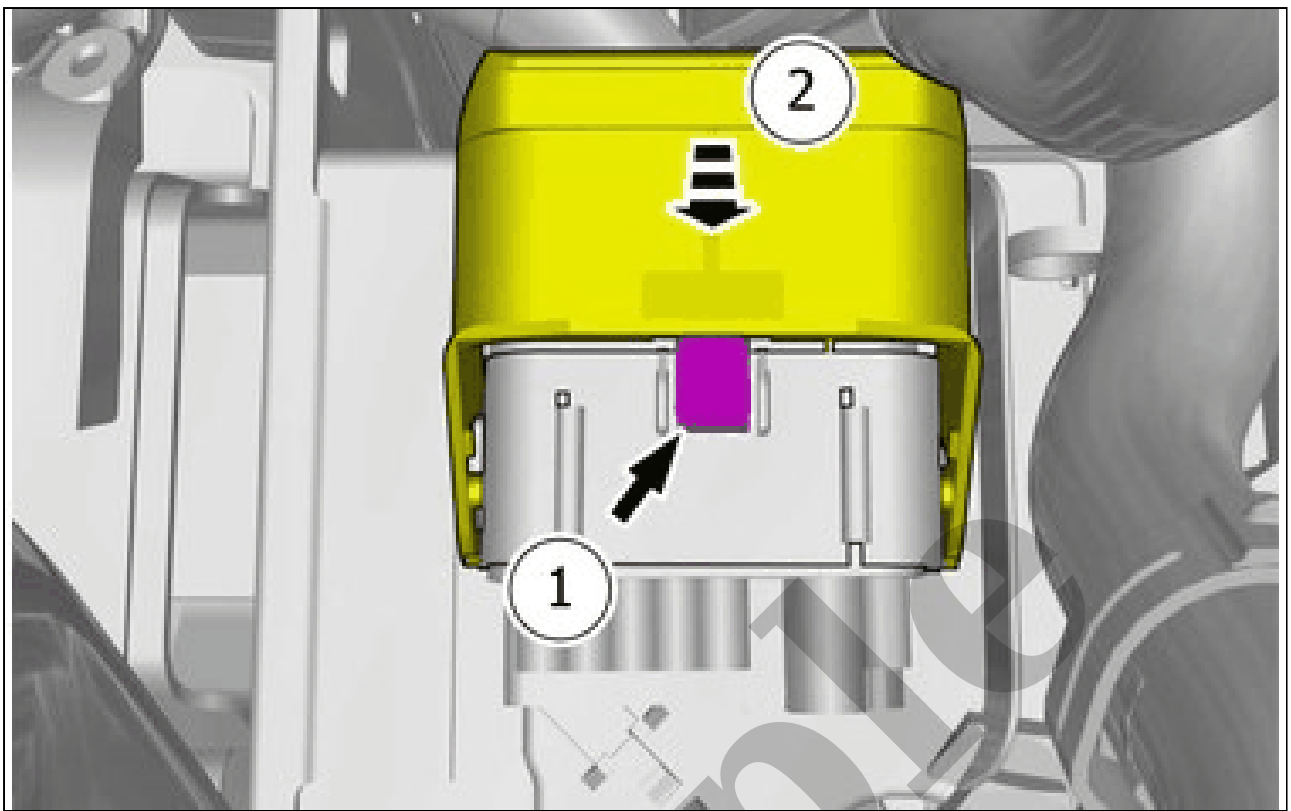
The hood latch ensures that the hood stays in place, and can be opened and closed safely. The hood latch includes a switch that senses when the hood is closed. The Central Electronic Module (CEM) receives the signal from the switch. The hood latch is opened from inside the vehicle by pulling the hood latch release handle by the driver seat twice. There is no release lever under the hood.

HOOD LATCH > HOOD LATCH (3/62) [2018-2022] > DIAGNOSTIC INFORMATION

The hood latch does not have a built-in diagnostic system. The Central Electronic Module (CEM) monitors the hood latch, sets DTCs and readable parameters.

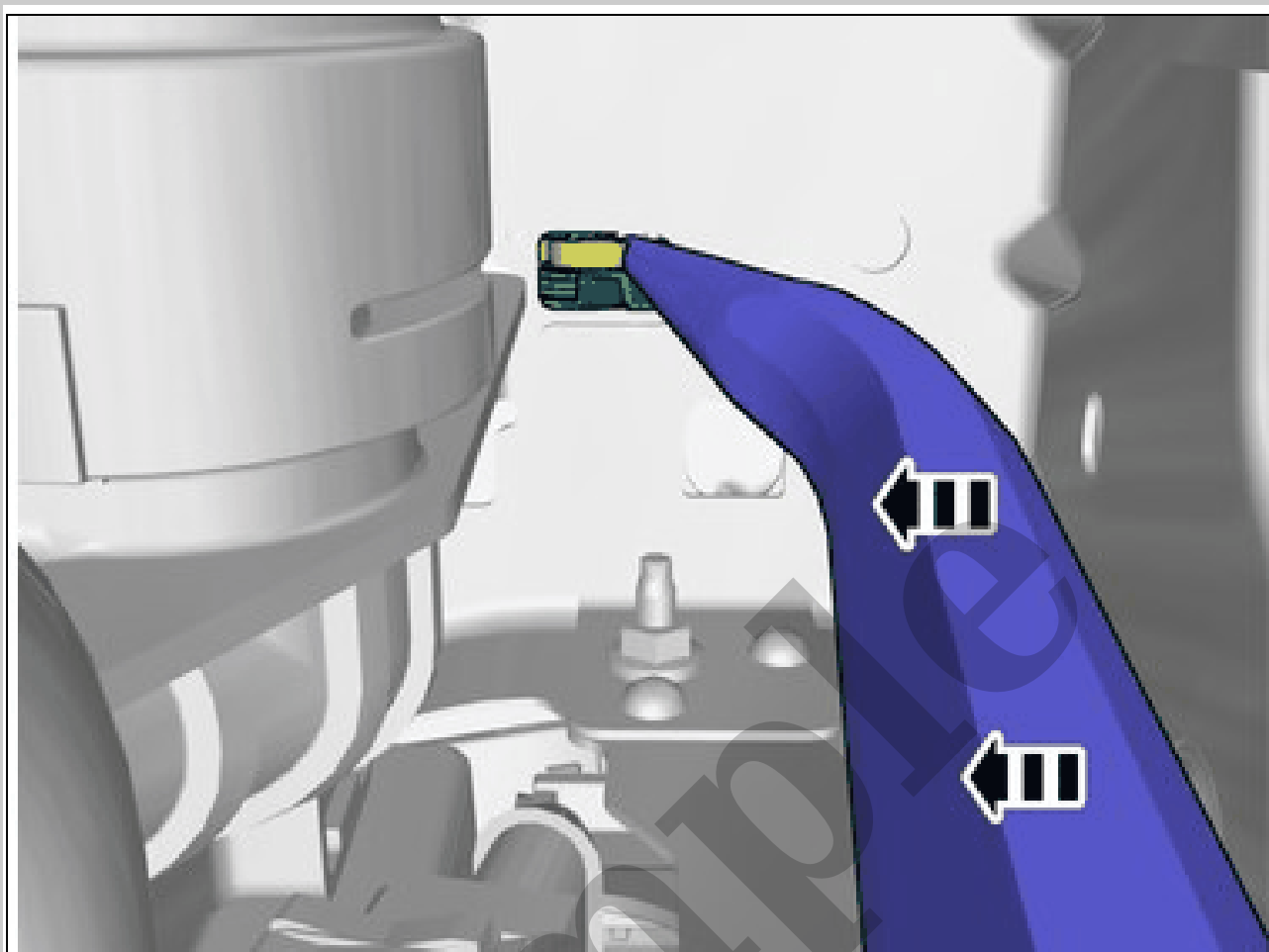
HOOD LATCH > HOOD LATCH (3/62) [2018-2022] > CONNECTION AND COMMUNICATION

The hood latch is directly connected to the Central Electronic Module (CEM).



Courtesy of VOLVO CARS CORPORATION

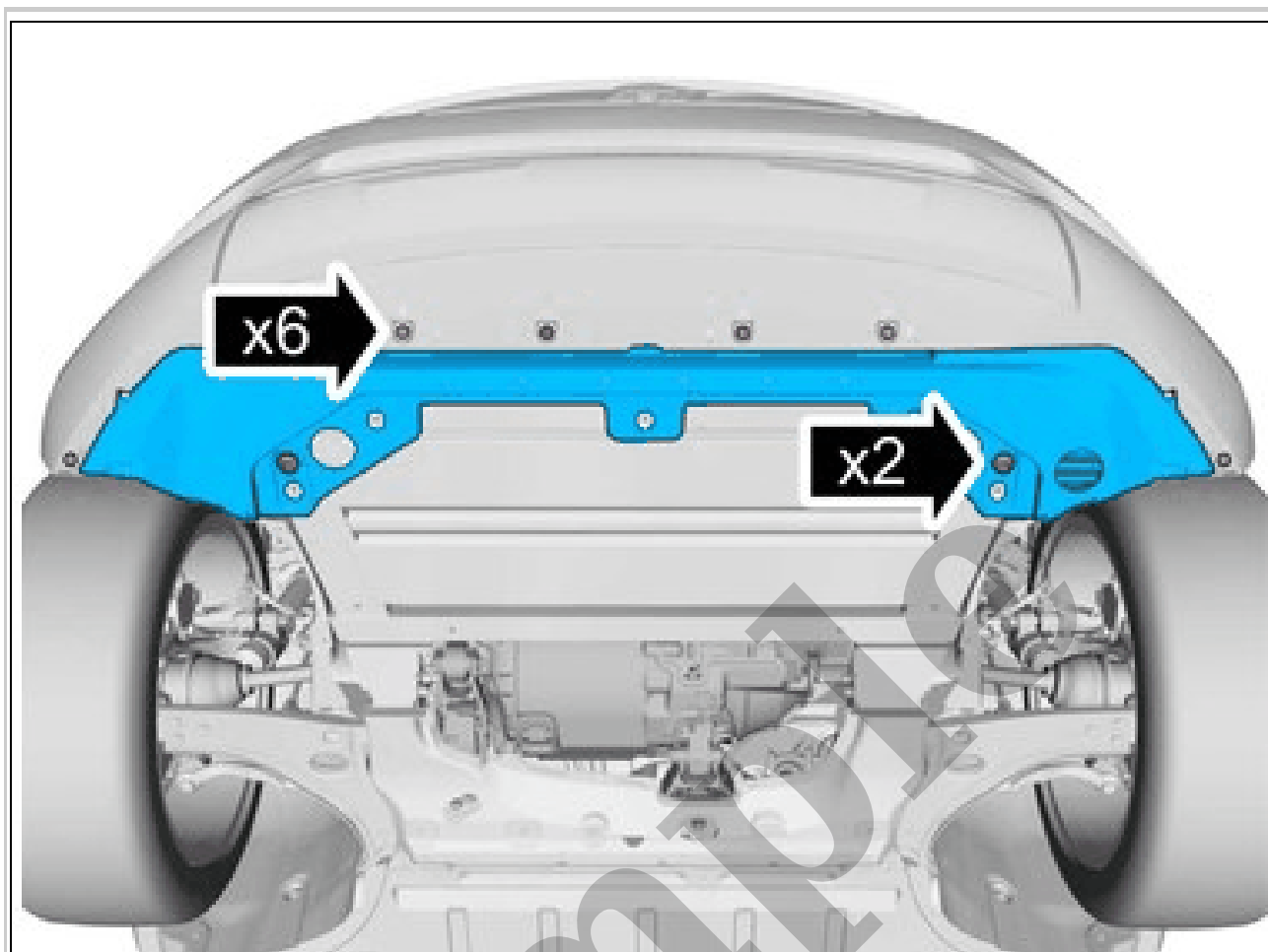
Release the lock.
Fold marked part aside.



Courtesy of VOLVO CARS CORPORATION

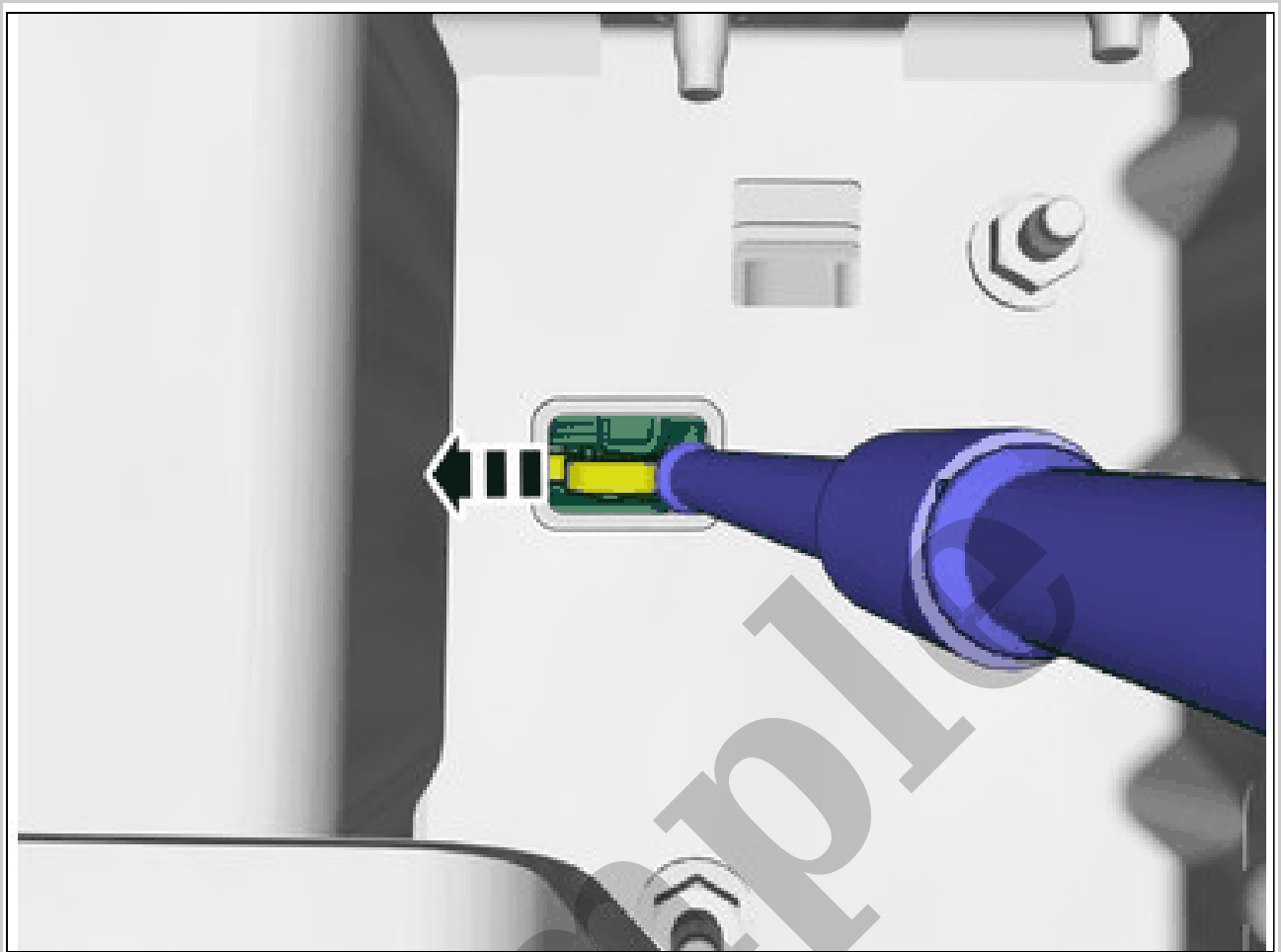
Release the lock.
To install, reverse the removal procedure.

**EMERGENCY OPENING OF HOOD > EMERGENCY OPENING OF HOOD [2021-2022,
E400V6] > REMOVAL**



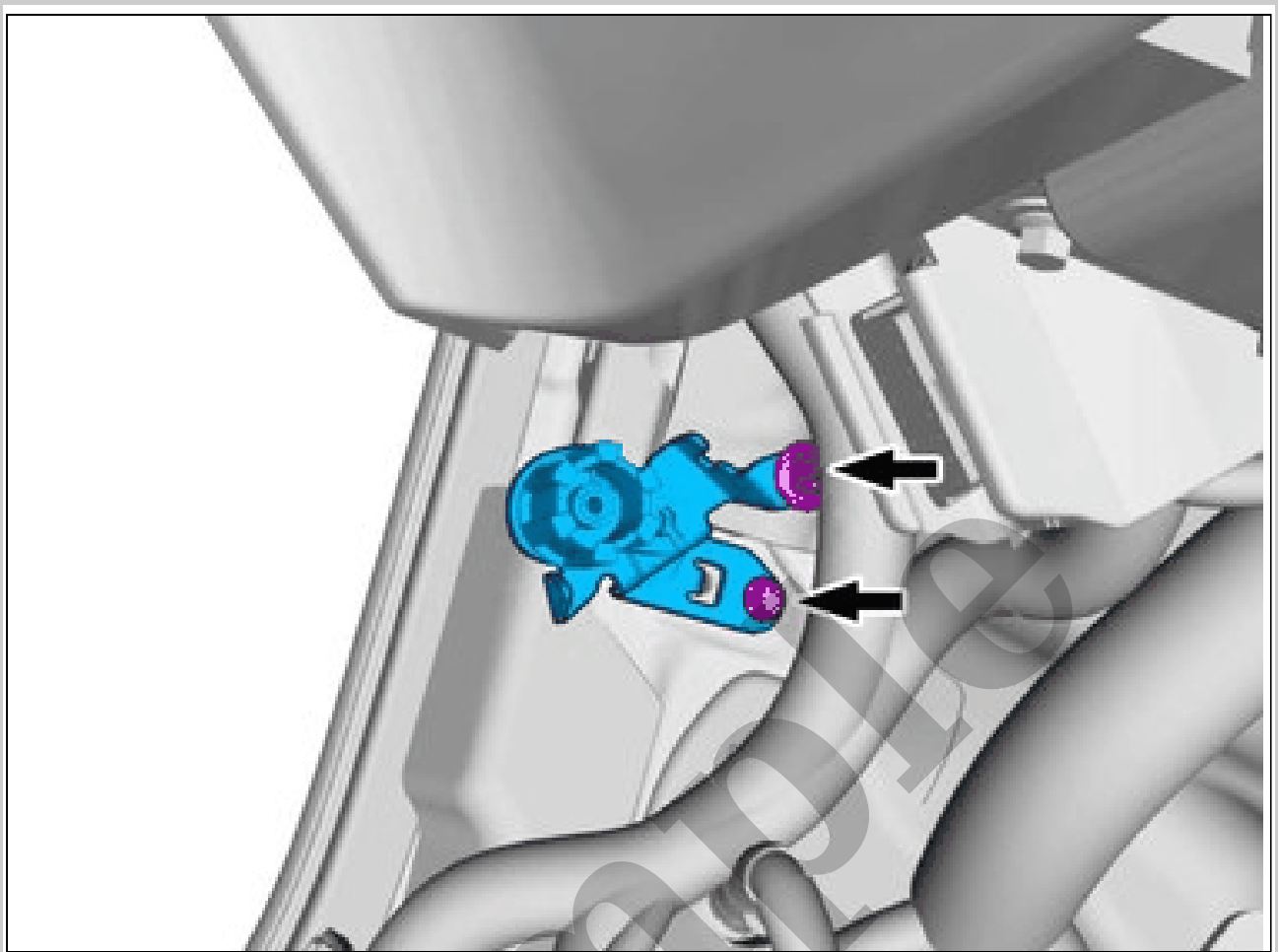
Courtesy of VOLVO CARS CORPORATION

Remove the screws.
Remove the clips.



Courtesy of VOLVO CARS CORPORATION

Release the lock.
APPLIES TO THE RIGHT-HAND SIDE



Courtesy of VOLVO CARS CORPORATION

Remove the cable harness clips.

Remove the screw.

Torque: M5, 5Nm

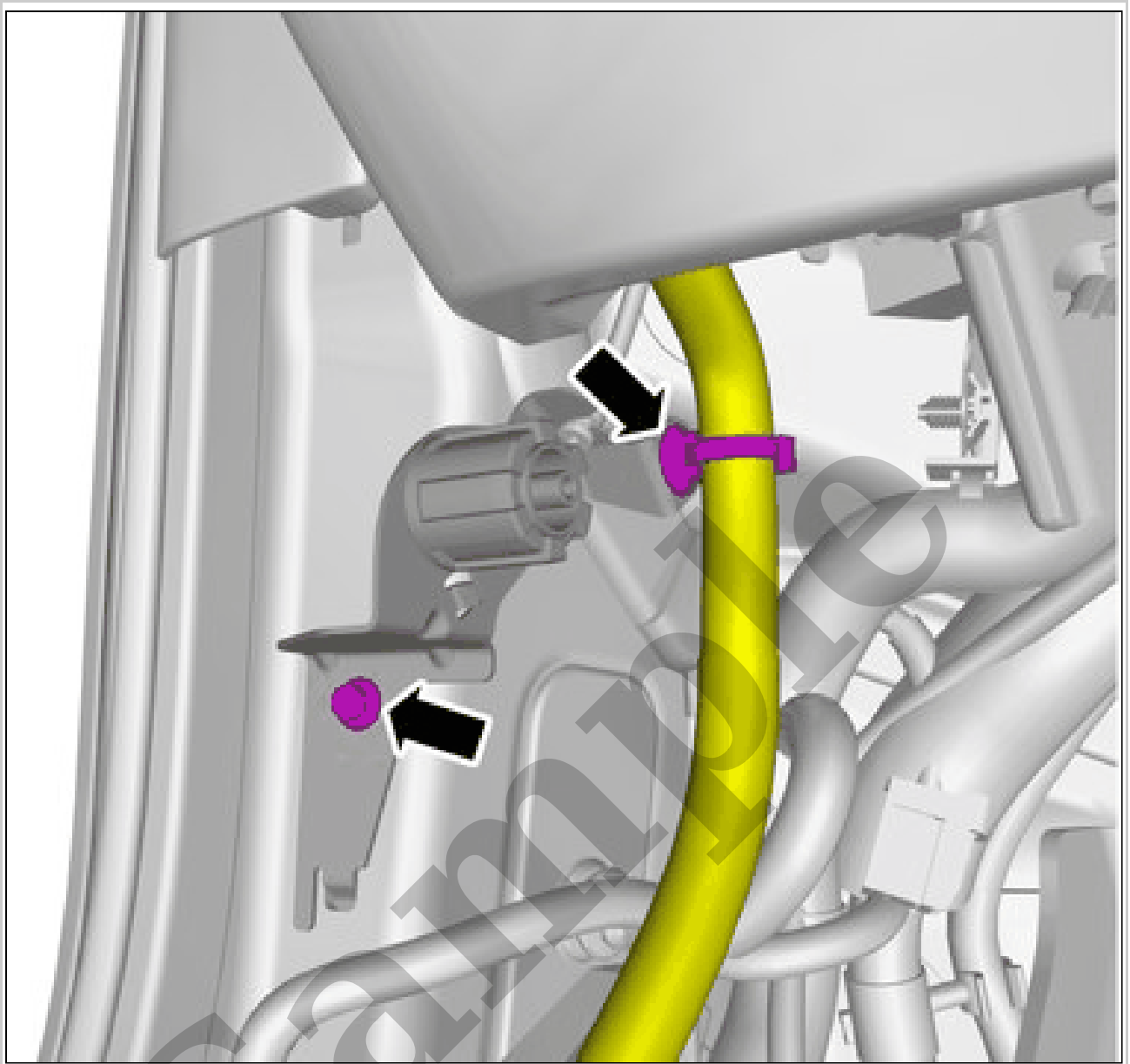
Remove the marked part.

CONTROL LOCK ENGINE HOOD > CONTROL LOCK ENGINE HOOD [2021-2022, E400V6] > INSTALLATION

To install, reverse the removal procedure.

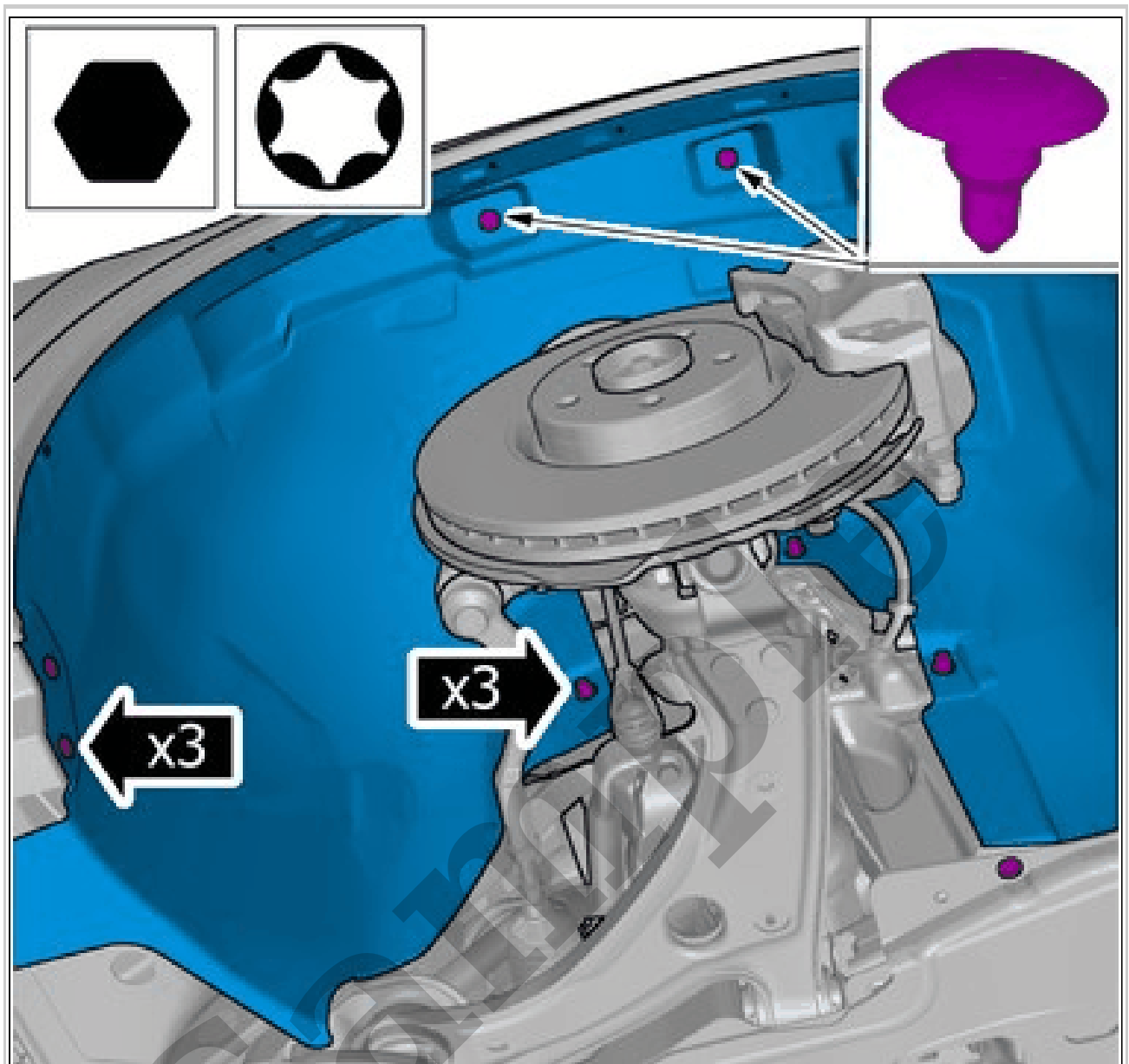
CONTROL LOCK ENGINE HOOD > CONTROL LOCK ENGINE HOOD [2018-2021 | 2021-2022, B4204T18; B4204T47] > REMOVAL

NOTE: *Removal steps in this procedure may contain installation details.*



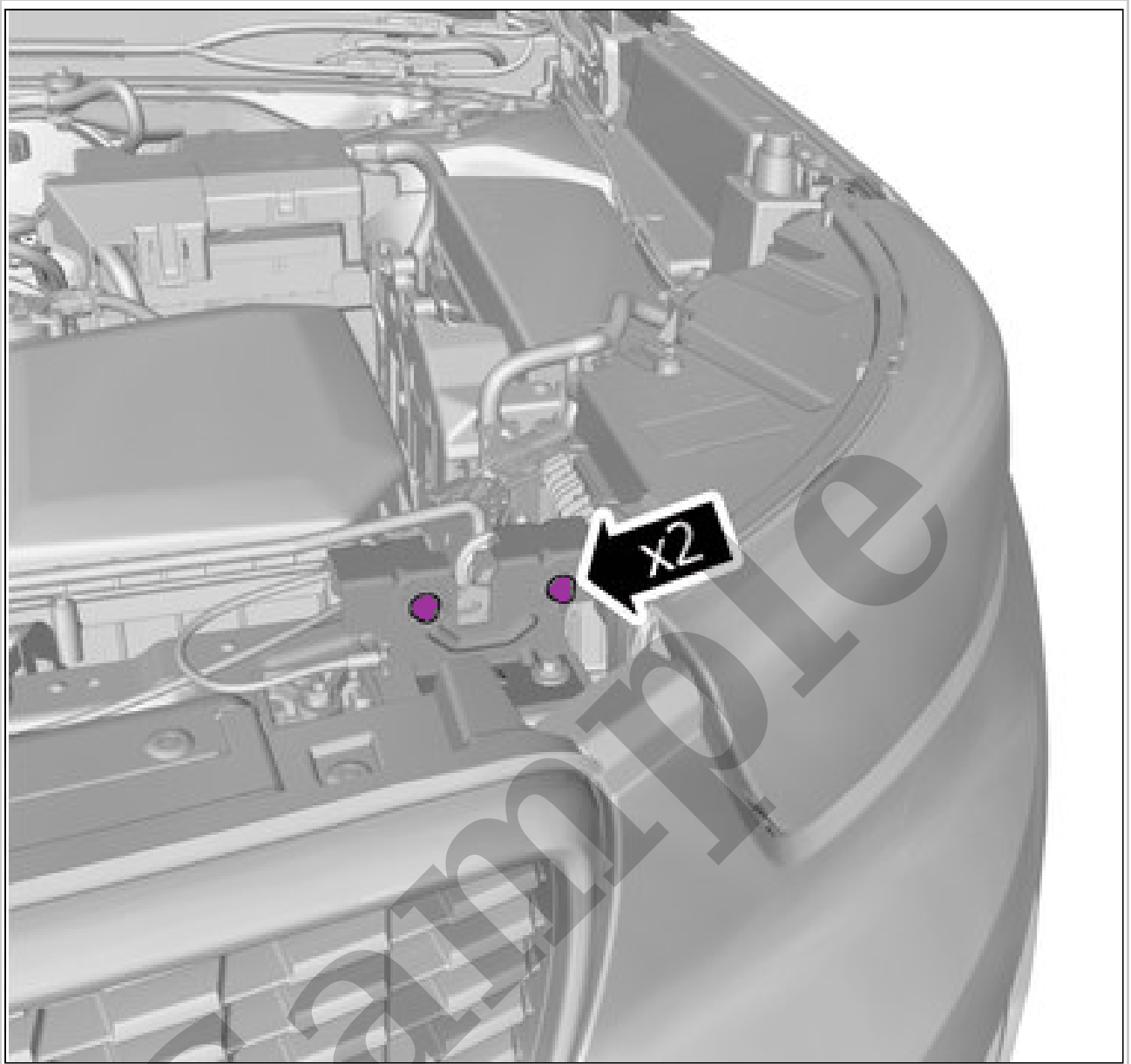
Courtesy of VOLVO CARS CORPORATION

Torque: M5, 5Nm
Remove the cable harness clips.
Remove the screw.



Courtesy of VOLVO CARS CORPORATION

- Remove the screws.
- Remove the nuts.
- Remove the clips.
- Remove the marked part.



Courtesy of VOLVO CARS CORPORATION

Torque: M6, 10Nm
Remove the screws.