

Your Ultimate Source for OEM Repair Manuals

FactoryManuals.net is a great resource for anyone who wants to save money on repairs by doing their own work. The manuals provide detailed instructions and diagrams that make it easy to understand how to fix a vehicle.

1984 VOLVO 760 OEM Service and Repair Workshop Manual

[Go to manual page](#)



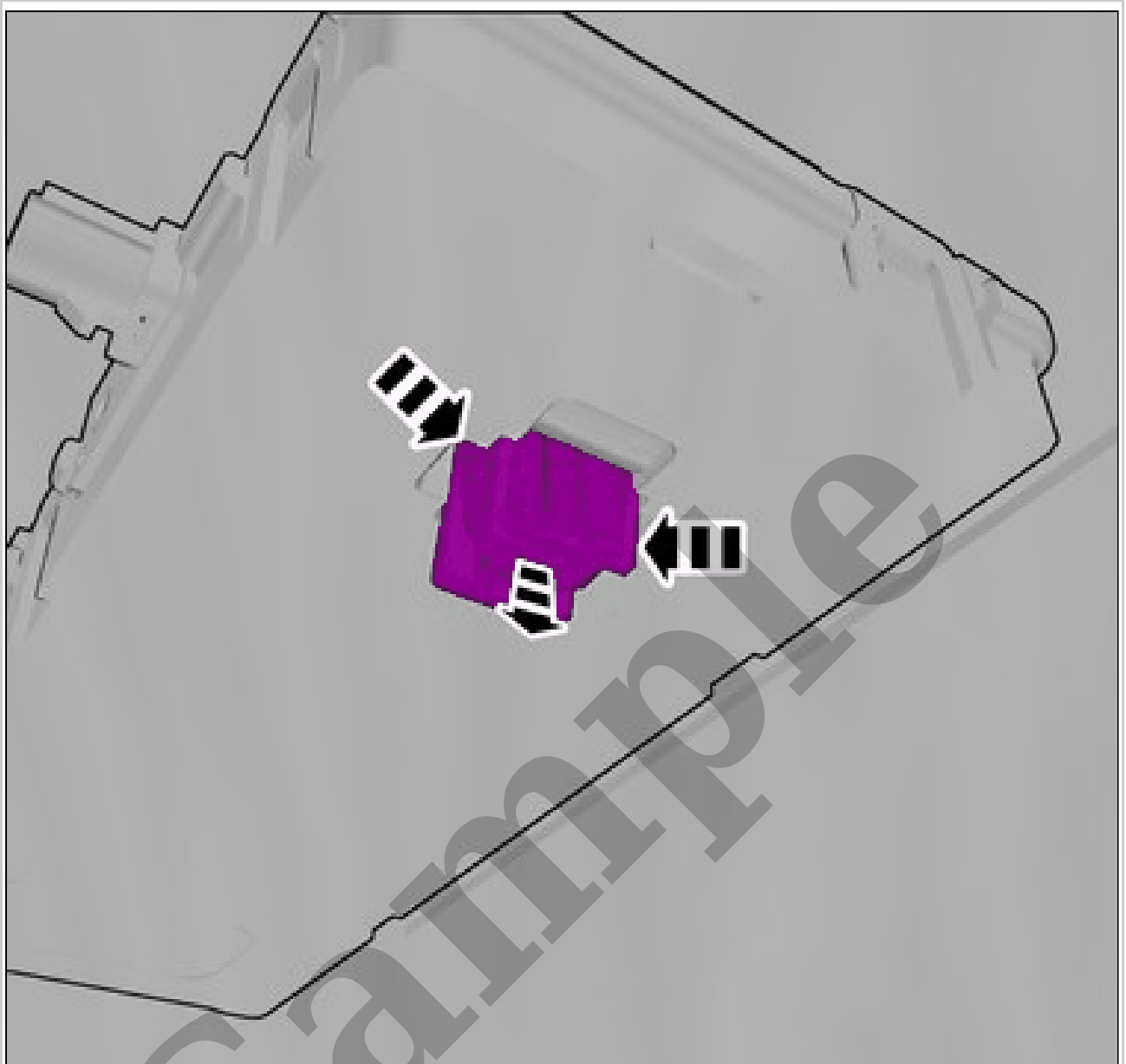
Courtesy of VOLVO CARS CORPORATION

CAUTION: *Take extra care not to crease the headliner.*

NOTE: *The graphic shows the back of the component before removal.*

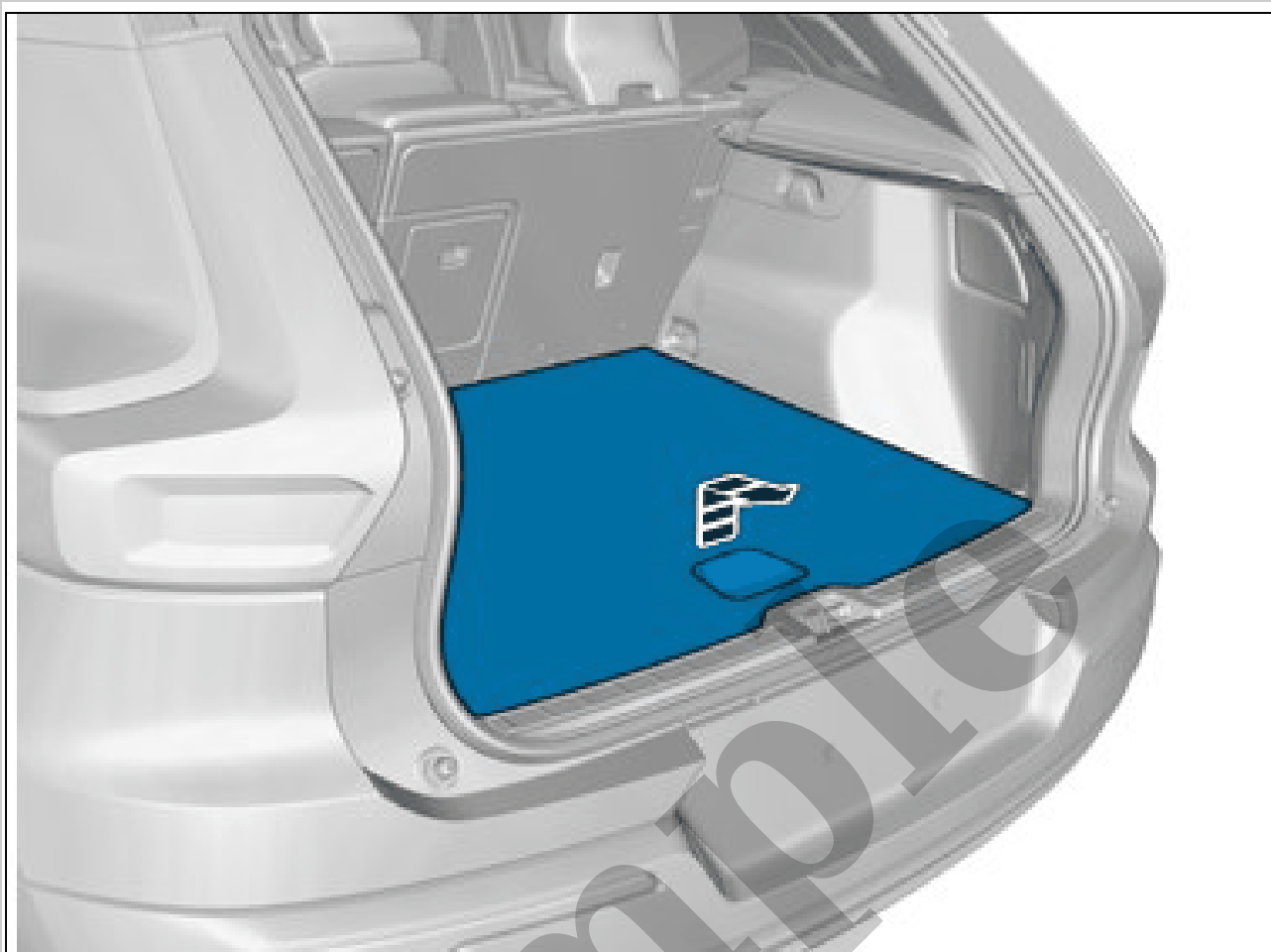
NOTE: *Velcro strip*

Use: Interior trim remover



Courtesy of VOLVO CARS CORPORATION

Release the lock.



Courtesy of VOLVO CARS CORPORATION

Remove the marked part.

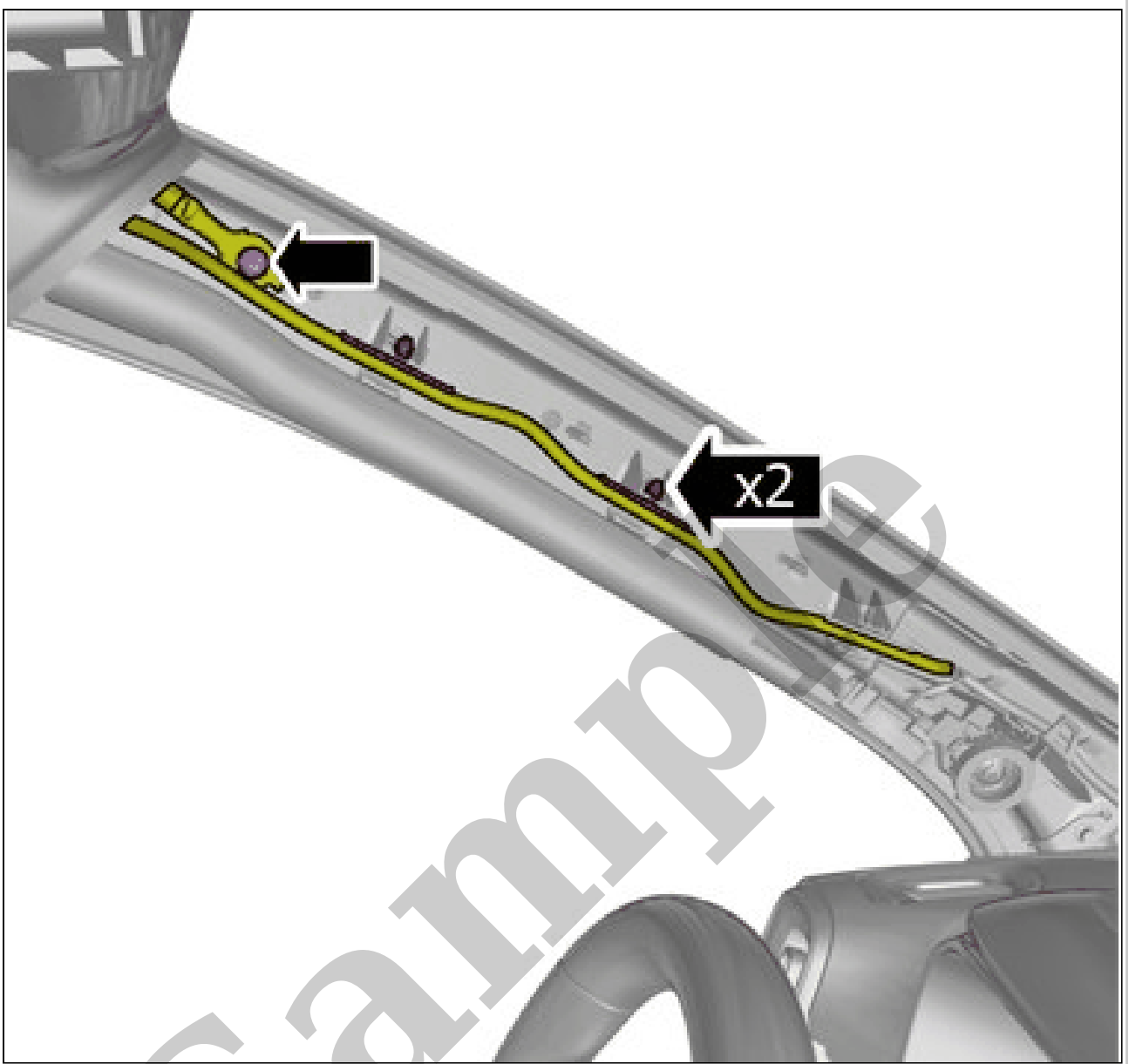


Courtesy of VOLVO CARS CORPORATION

Set the vehicle to Inactive mode, described in user mode. Refer to: USAGE MODE

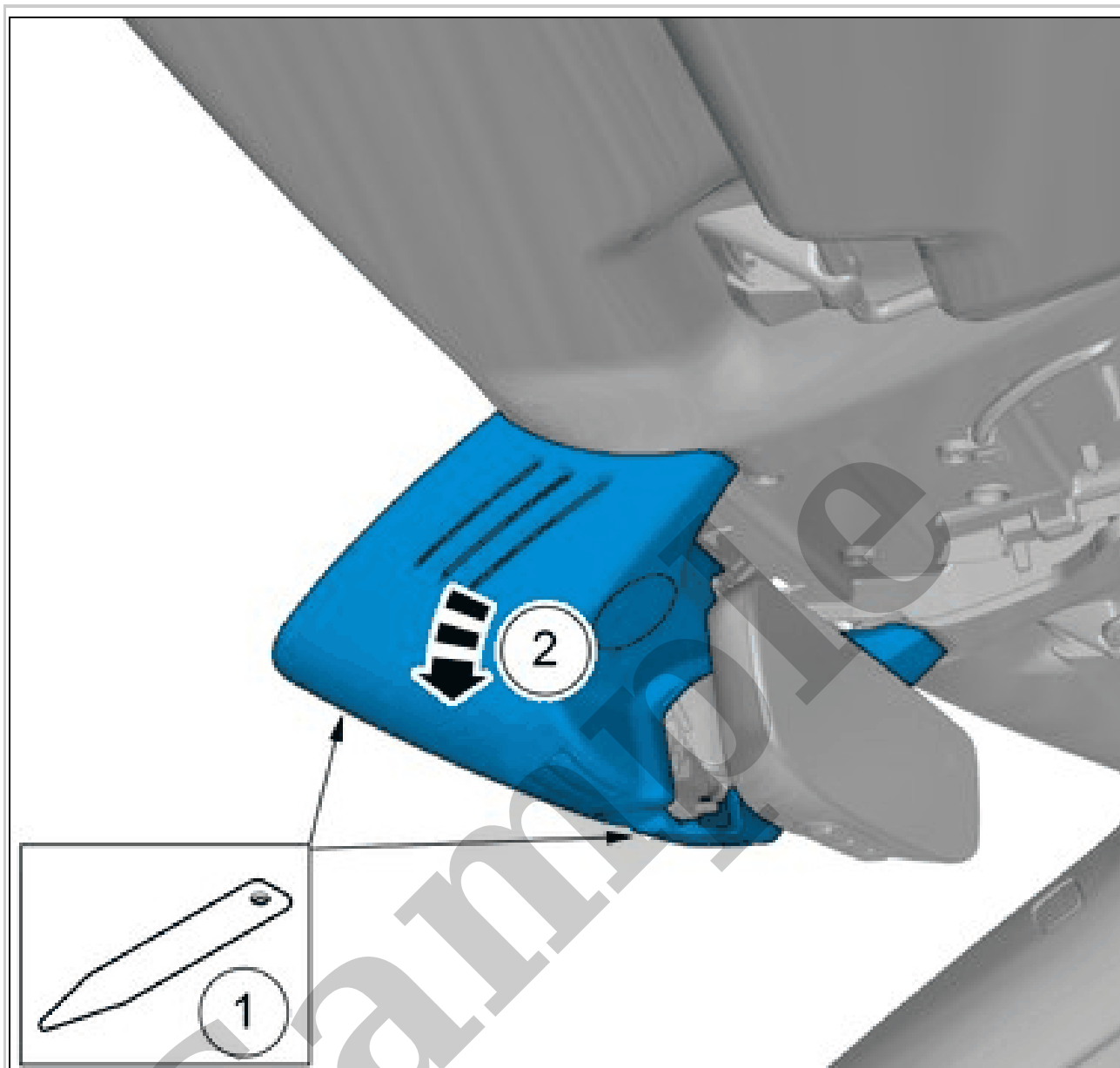
Remove the following items:

- A-pillar trim panel. Refer to: A-PILLAR TRIM PANEL
- B-pillar trim panel. Refer to: B-PILLAR TRIM PANEL
- panel C-pillar. Refer to: C-PILLAR TRIM PANEL



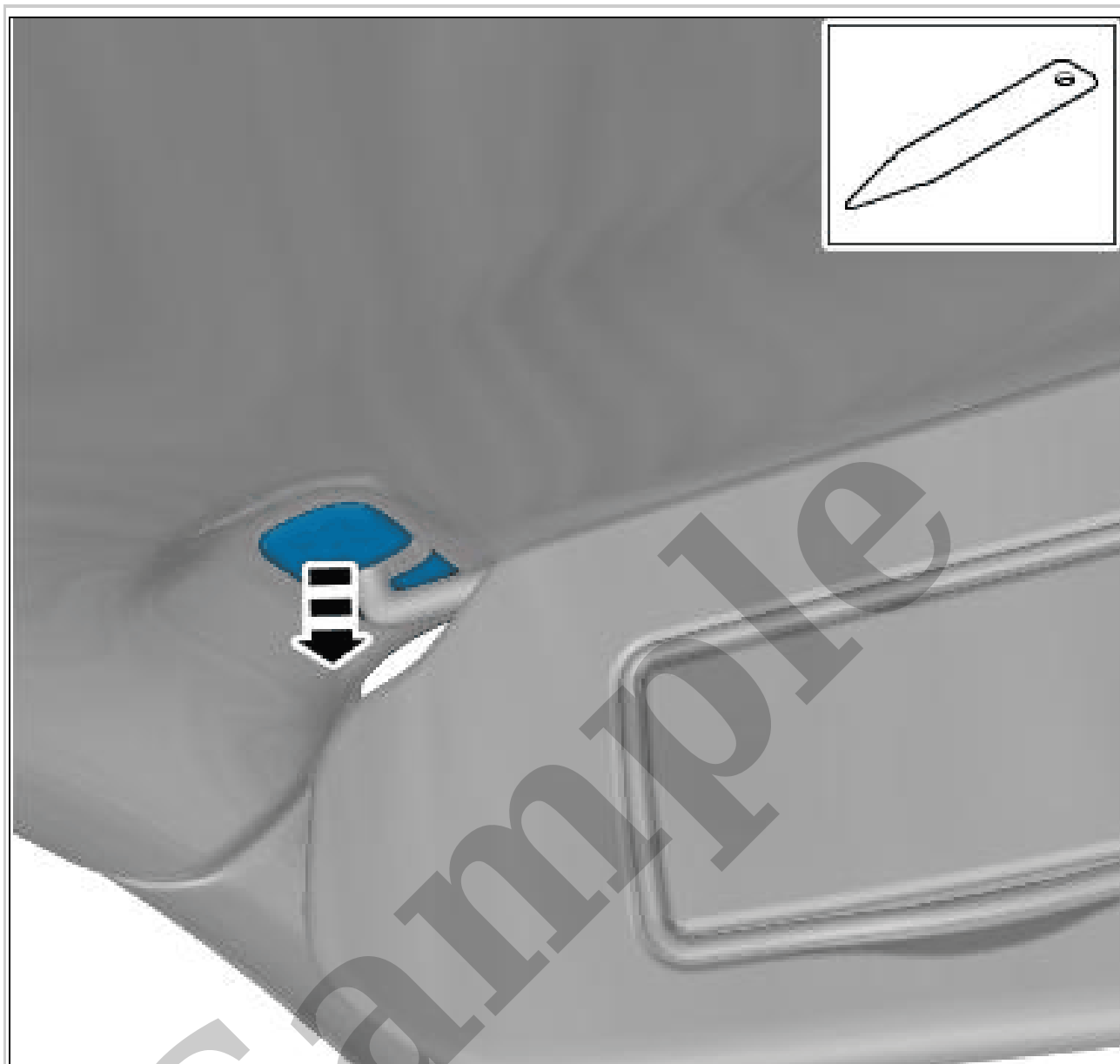
Courtesy of VOLVO CARS CORPORATION

Remove the screw.
Remove the cable harness clips.
Torque: M6, 10Nm



Courtesy of VOLVO CARS CORPORATION

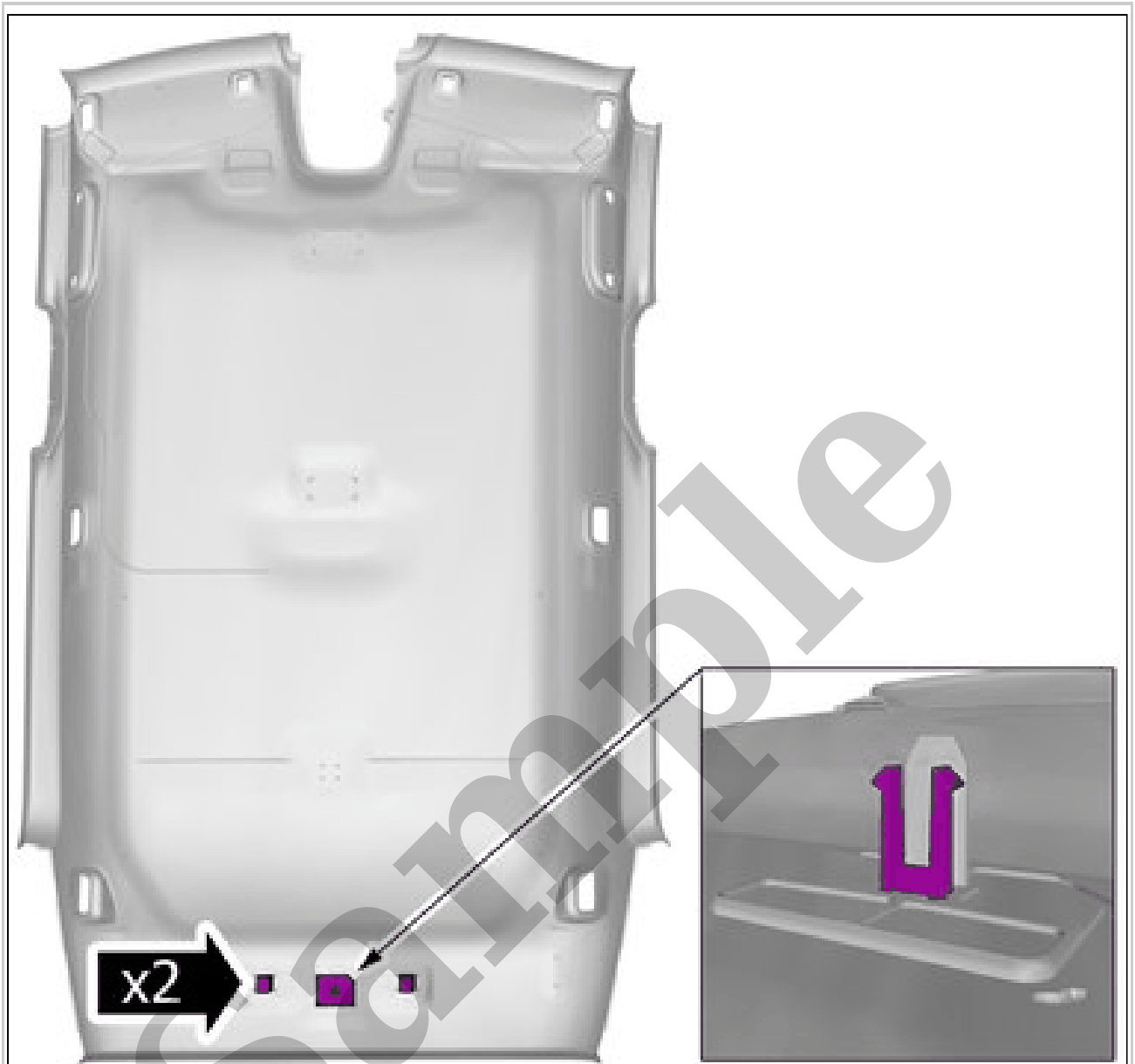
Remove the marked part.



Courtesy of VOLVO CARS CORPORATION

Remove the marked part.
On both sides.

VEHICLES WITHOUT ROOF OPENING PANEL

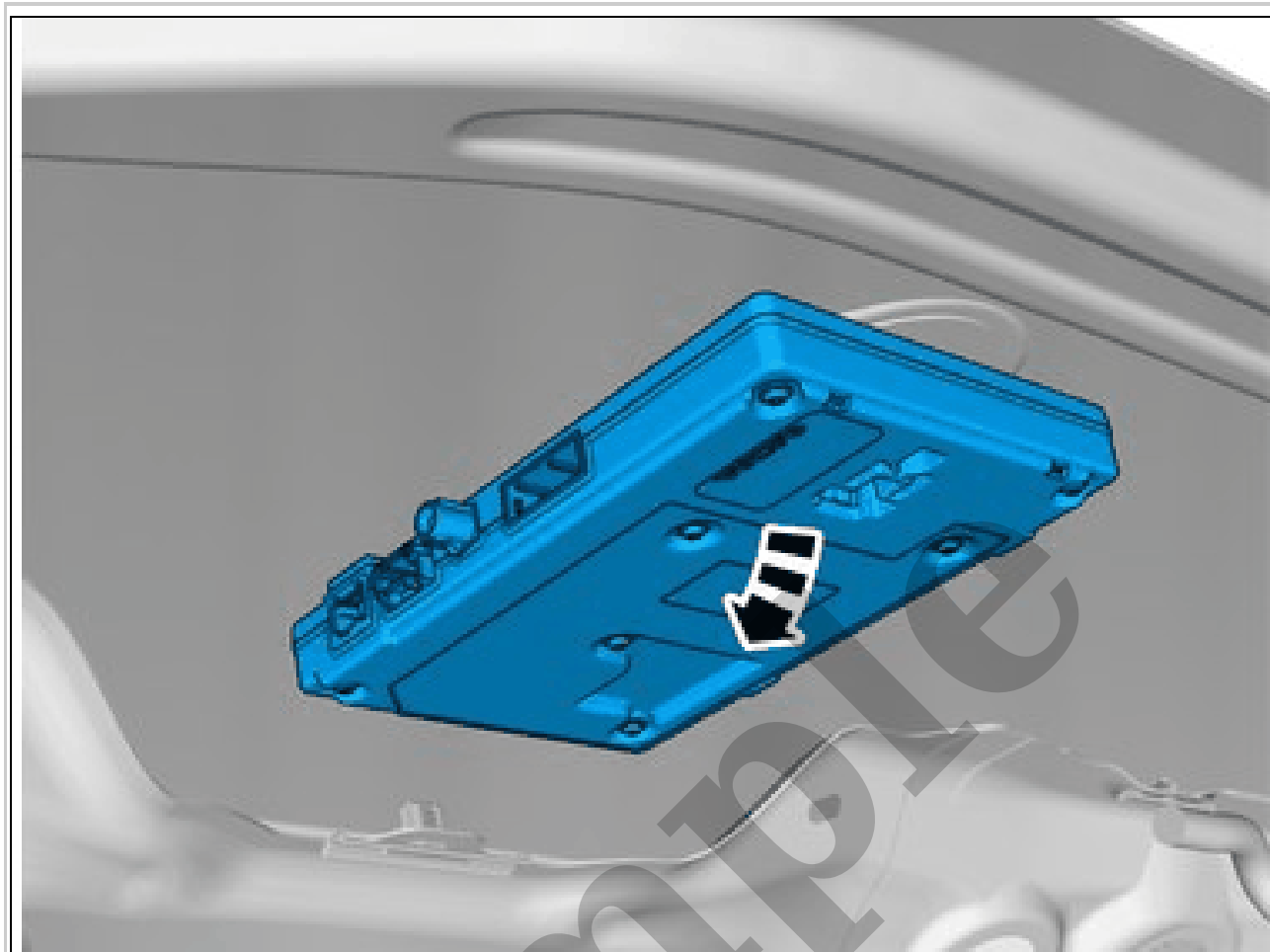


Courtesy of VOLVO CARS CORPORATION

CAUTION: Take extra care not to crease the headliner.

NOTE: The graphic shows the back of the component before removal.

NOTE: Velcro strip



Courtesy of VOLVO CARS CORPORATION

Remove the marked part.

TELEMATICS AND CONNECTIVITY ANTENNA MODULE > TELEMATICS AND CONNECTIVITY ANTENNA MODULE (TCAM) [2021-2022, E400V6] > INSTALLATION

To install, reverse the removal procedure.

NOTE: *This step is only necessary when installing a new component.*

Order and download the appropriate software according to: VIDA/Software/Hardware Changes

VEHICLE CONNECTIVITY MODULE > VEHICLE CONNECTIVITY MODULE (VCM) [2018-2022, B4204T18 | 2019-2022, B4204T47] > REMOVAL

Set the vehicle to Inactive mode, described in user mode. Refer to: USAGE MODE