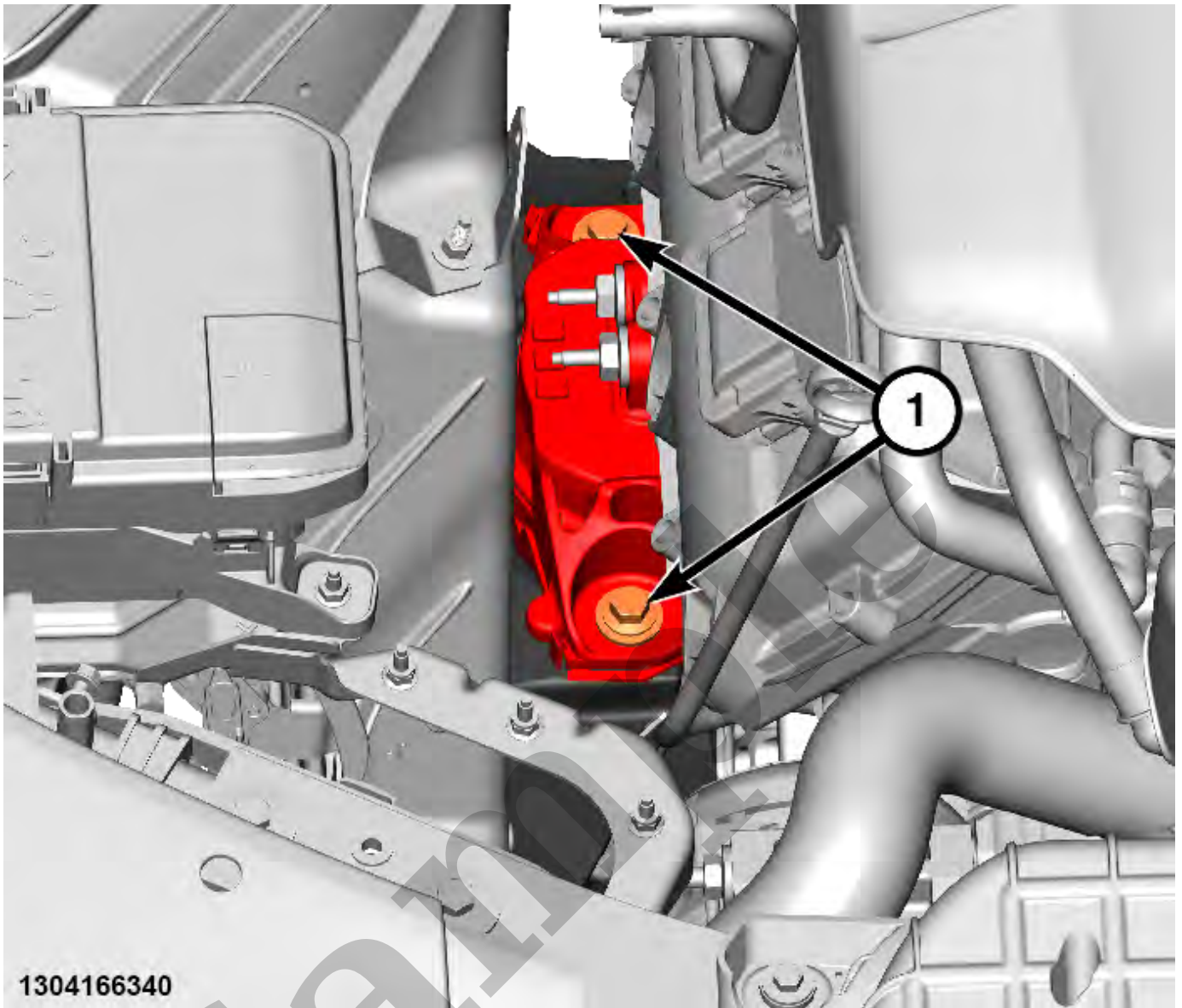


Your Ultimate Source for OEM Repair Manuals

FactoryManuals.net is a great resource for anyone who wants to save money on repairs by doing their own work. The manuals provide detailed instructions and diagrams that make it easy to understand how to fix a vehicle.

1984 JEEP Wagoneer OEM Service and Repair Workshop Manual

[Go to manual page](#)



1 - Engine Mount Bolts

20. Remove the engine mount bolts.



0204193400

1 - Front End Module Bolts

24. Remove the front end module bolts fastening the front end module to the crossmember.

NOTE

The cross member will not drop straight down, it must be angled down at the back and slid rearward in order to remove it.

28. Support the crossmember with a suitable lifting device, then remove and **DISCARD** the bolts and remove the crossmember assembly.
29. Transfer the steering gear if necessary ([Refer to 19 - Steering/Gear/Removal and Installation](#)).
30. Transfer the steering knuckles if necessary ([Refer to Front Suspension/Front/KNUCKLE, Steering/Removal and Installation](#)).
31. Transfer the suspension links if necessary ([Refer to Front Suspension/Front/LINK, Stabilizer Bar/Removal and Installation](#))([Refer To List 4](#)).
32. Transfer the stabilizer links if necessary ([Refer to Front Suspension/Front/LINK/Removal and Installation](#)) ([Refer To List 4](#)).

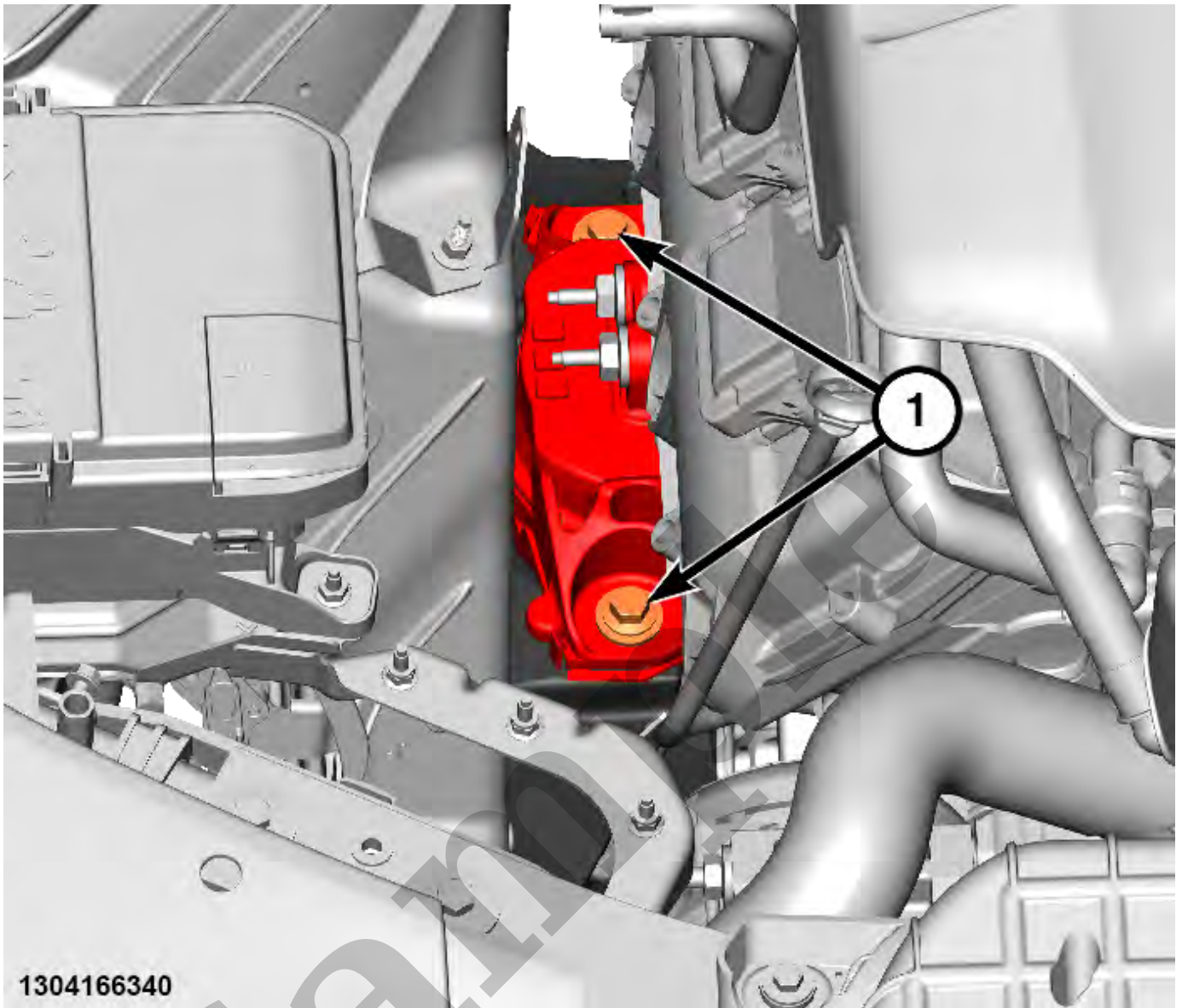
INSTALLATION



0204193400

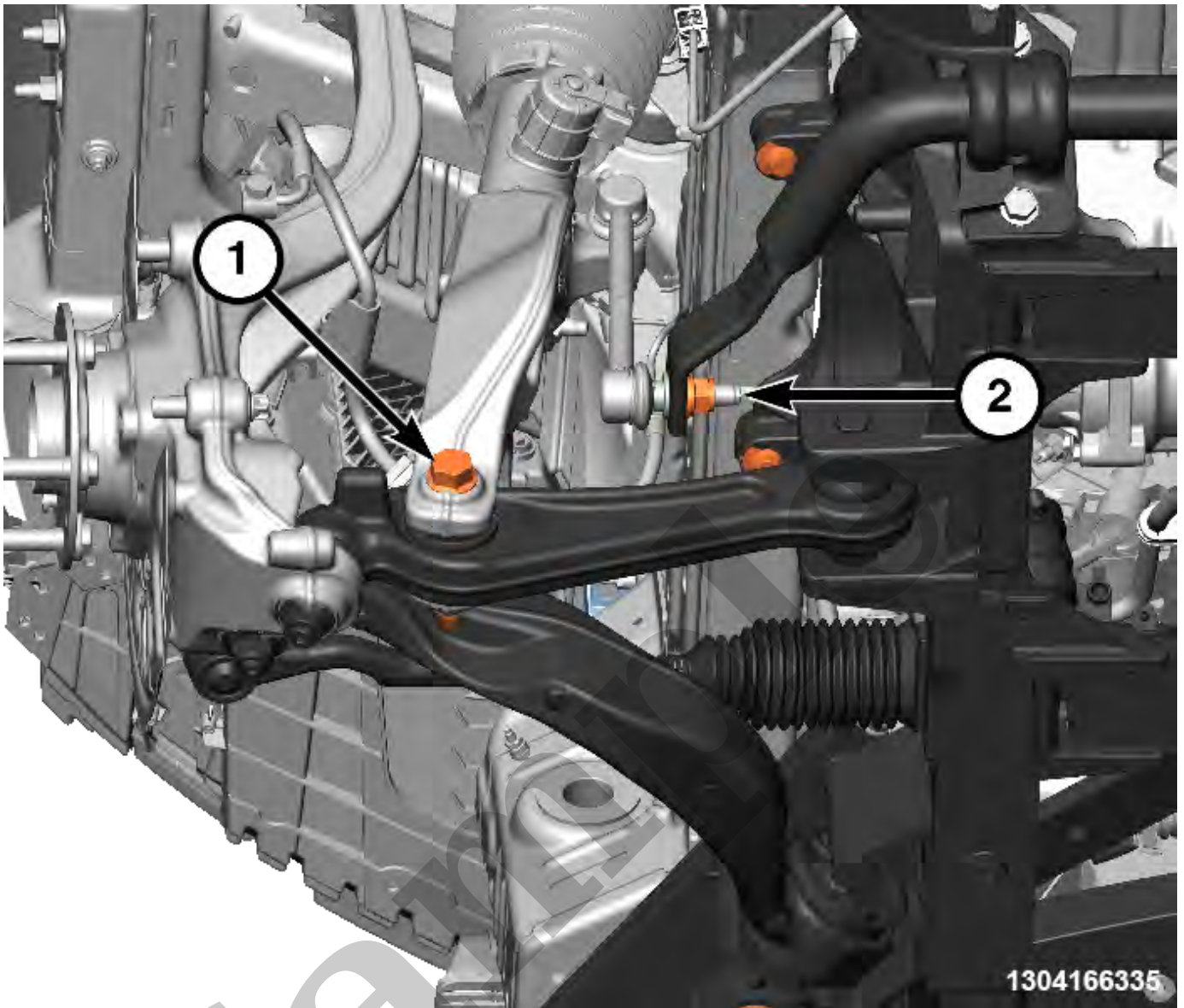
1 - Front End Module Bolts

6. Install the front end module bolts to the crossmember and tighten to the proper torque specifications.



1 - Engine Mount Bolts

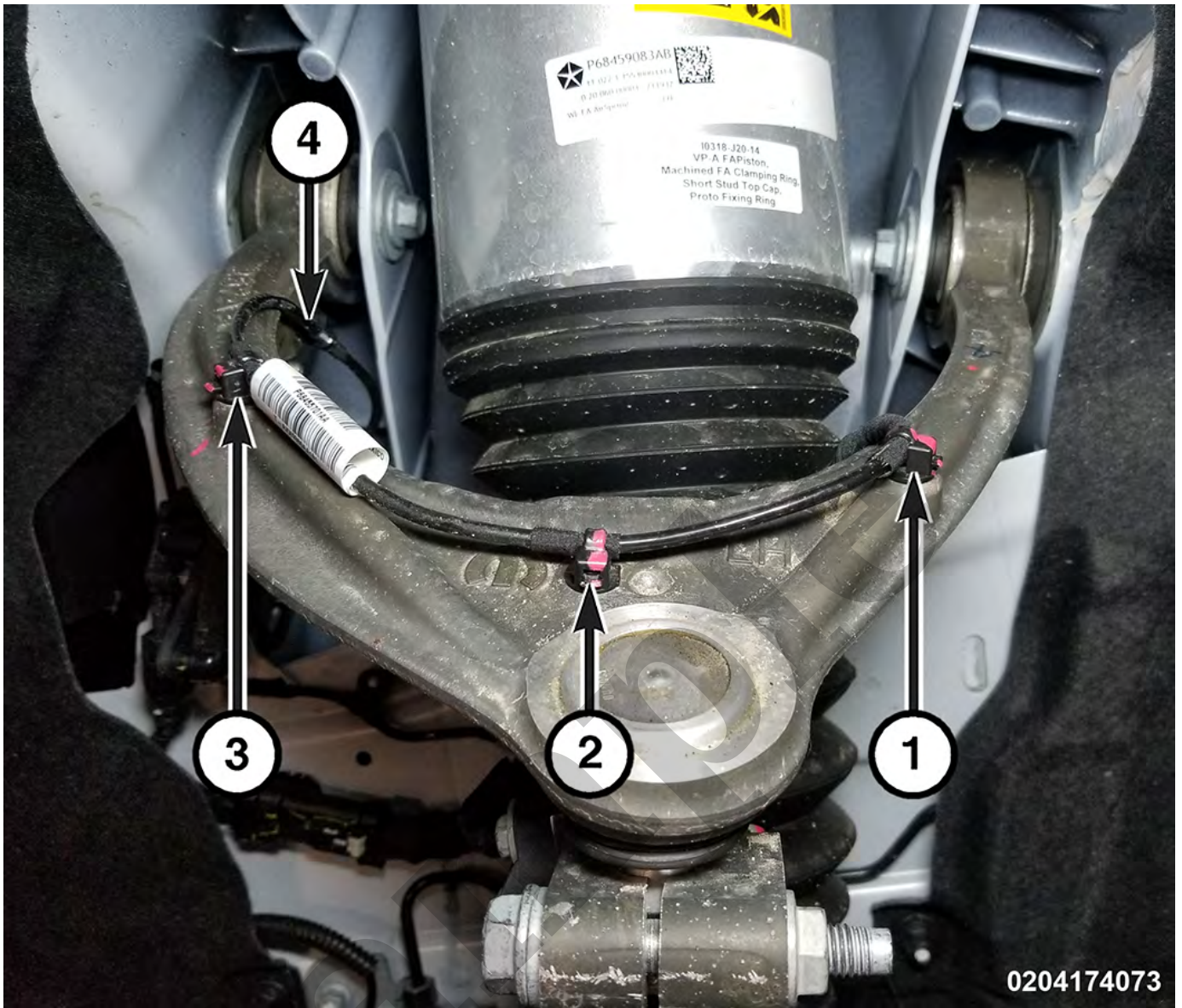
10. Install the engine mount bolts and tighten to the proper torque specifications.



1 - Clevis Lower Bolt

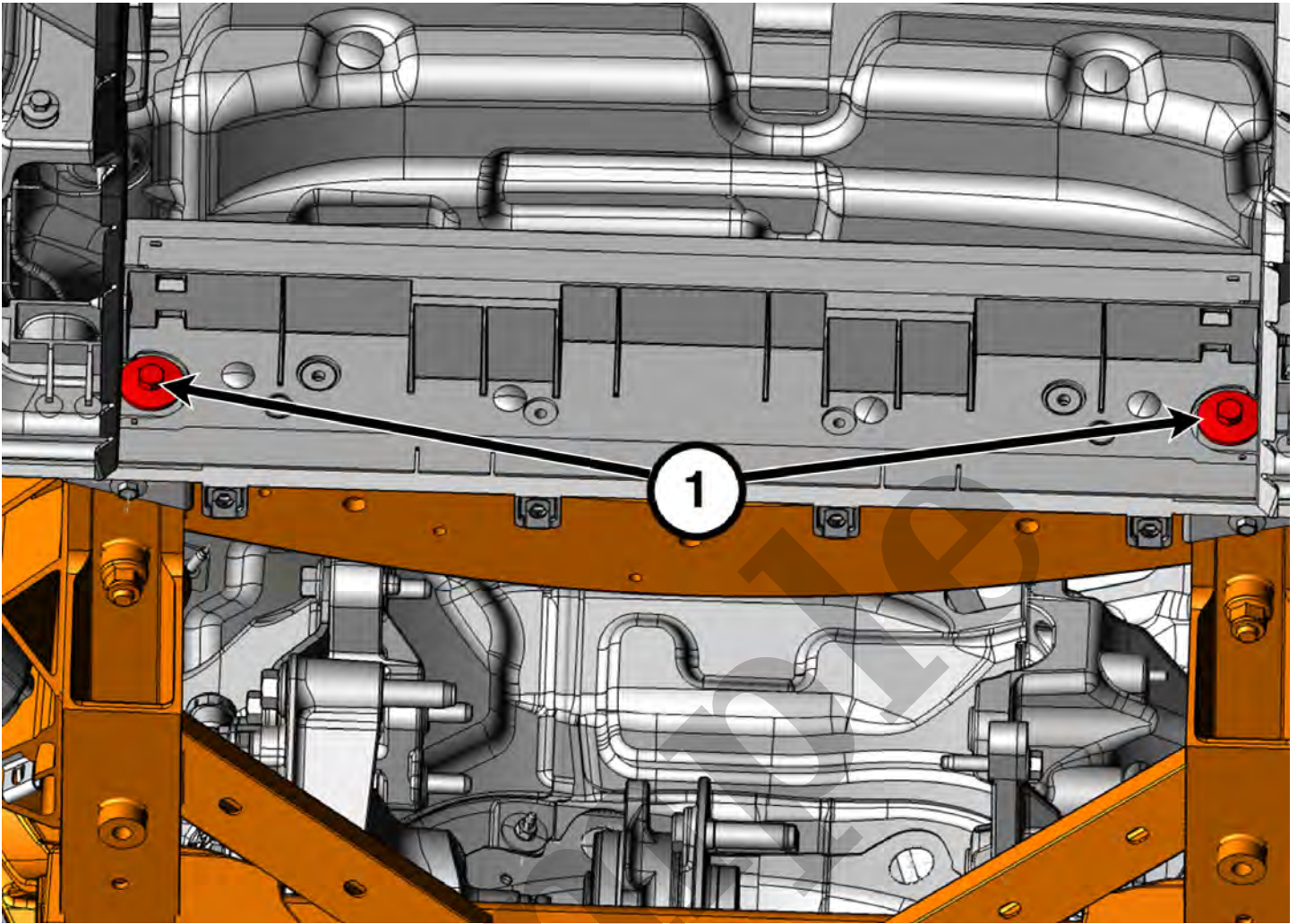
2 - Tension Link

16. Install the steering intermediate shaft ([Refer to Steering/Column/SHAFT, Intermediate/Removal and Installation](#)).
17. Install the stabilizer bar ([Refer to Front Suspension/Front/STABILIZER BAR, Front/Removal and Installation](#)).
18. Install the clevis lower bolts and tighten to the proper torque specifications.
19. On four wheel drive vehicles install the front halfshafts ([Refer to Differential and Driveline/SHAFTS, Axle/Drive/Half/Removal and Installation](#)).



1-4 - Wire Harness Retainers

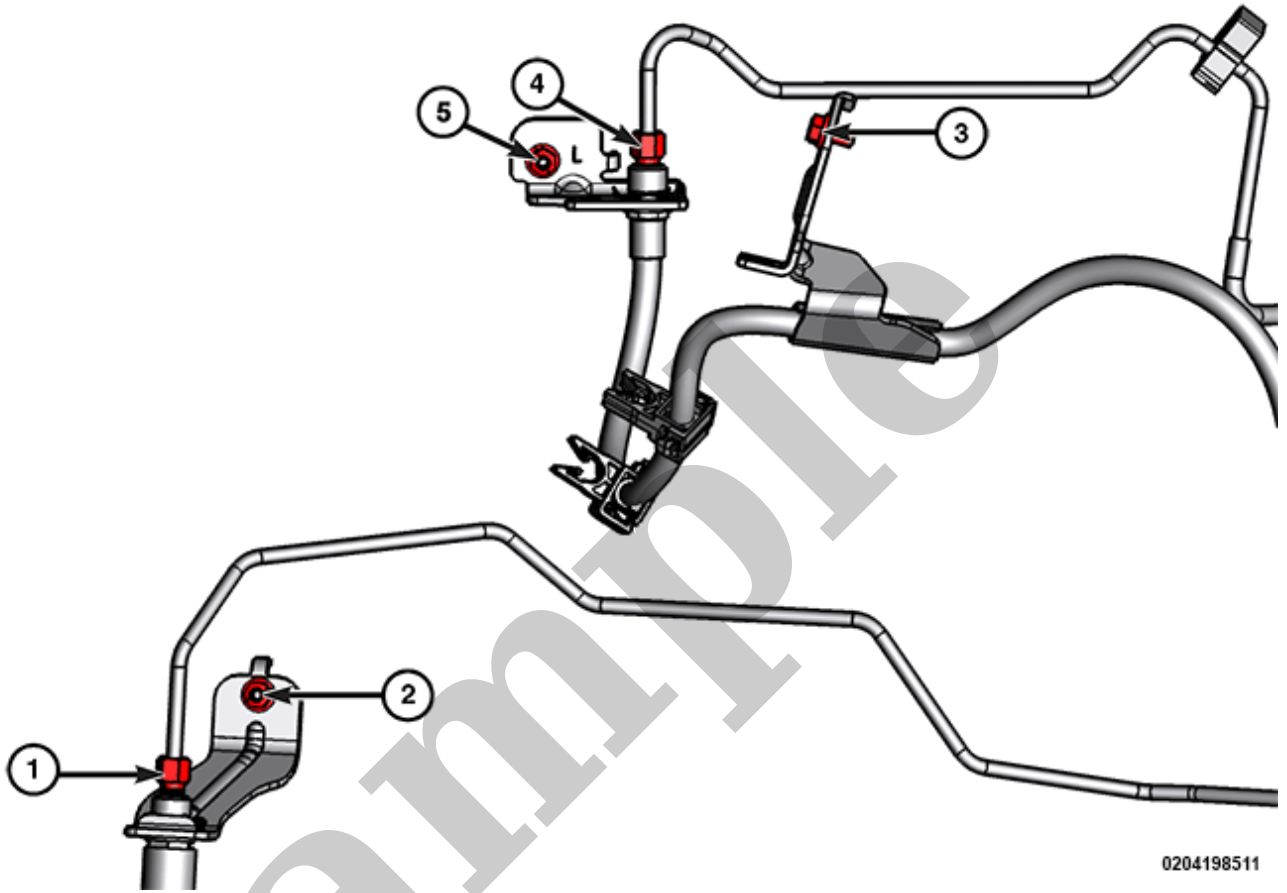
23. Secure the wire harness retainers (if equipped with Air Suspension).



CALLOUT	DESCRIPTION	SPECIFICATION	COMMENT
1	Front End Module to Cradle	15 N·m (11 Ft. Lbs.)	-

2	Steering Knuckle Pinch Bolt	60 N·m (44 Ft. Lbs.)	—
---	-----------------------------	-----------------------------	---

TORQUE SPECIFICATIONS - BRAKE LINES AND BRACKETS



CALLOUT	DESCRIPTION	SPECIFICATION	COMMENT
1	Rear Brake Hose Flare Nut	18 N·m (13 Ft. Lbs.)	—
2	Rear Brake Hose Bracket Nut	7 N·m (62 In. Lbs.)	—
3	Front Brake Hose Bracket Bolt	7 N·m (62 In. Lbs.)	—
4	Front Brake Hose Flare Nut	20 N·m (15 Ft. Lbs.)	—
5	Front Brake Hose Bracket Nut	5 N·m (44 In. Lbs.)	—