

Your Ultimate Source for OEM Repair Manuals

FactoryManuals.net is a great resource for anyone who wants to save money on repairs by doing their own work. The manuals provide detailed instructions and diagrams that make it easy to understand how to fix a vehicle.

1983 VOLVO 760 OEM Service and Repair Workshop Manual

[Go to manual page](#)

**MICROPHONE, HANDSFREE / ACTIVE NOISE CONTROL ANC, FRONT >
MICROPHONE, HANDSFREE / ACTIVE NOISE CONTROL ANC, FRONT [2018-2022] >
REMOVAL**

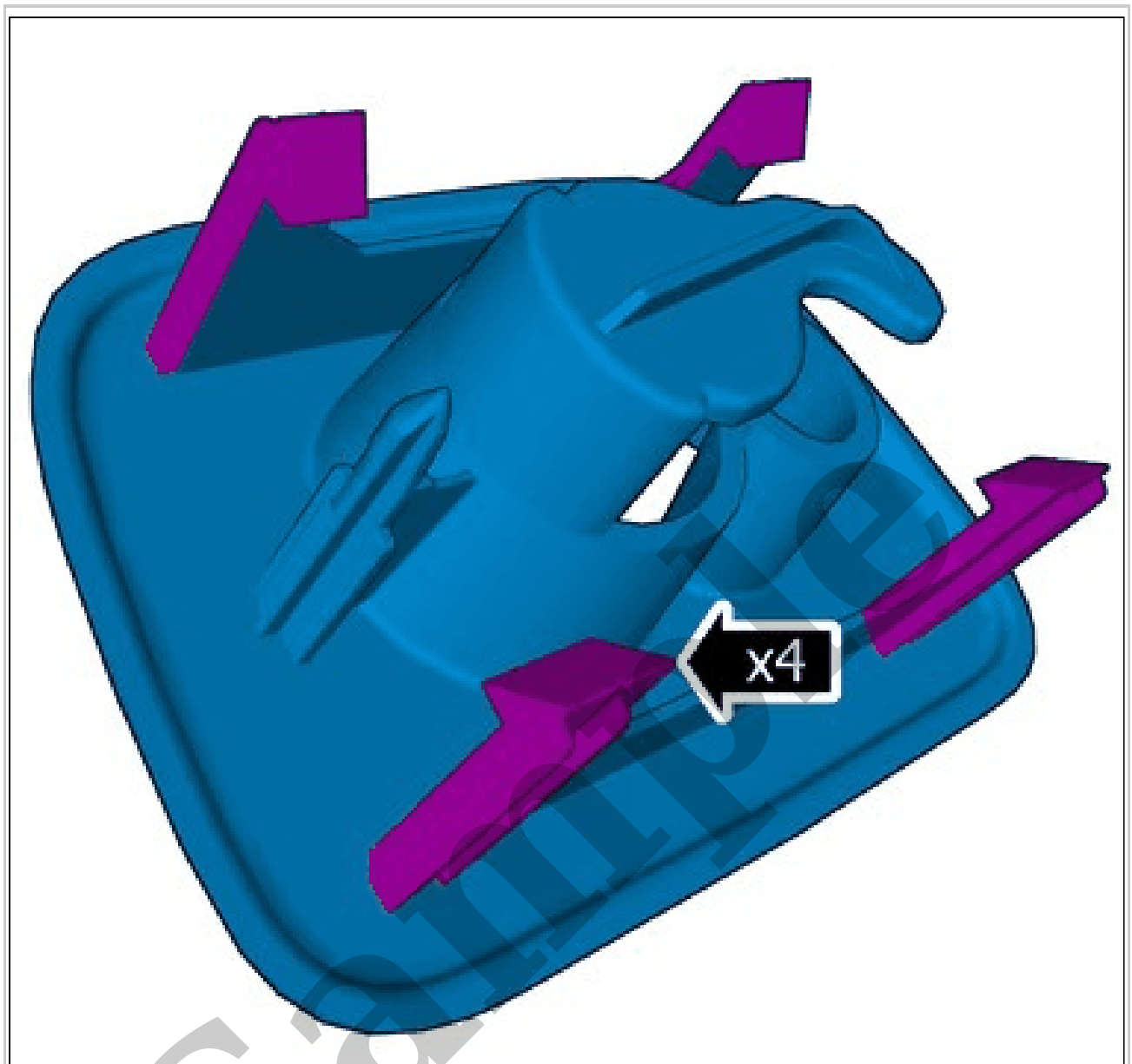
NOTE: *Removal steps in this procedure may contain installation details.*

Set the vehicle to Inactive mode, described in user mode. Refer to: USAGE MODE

Remove the following items:

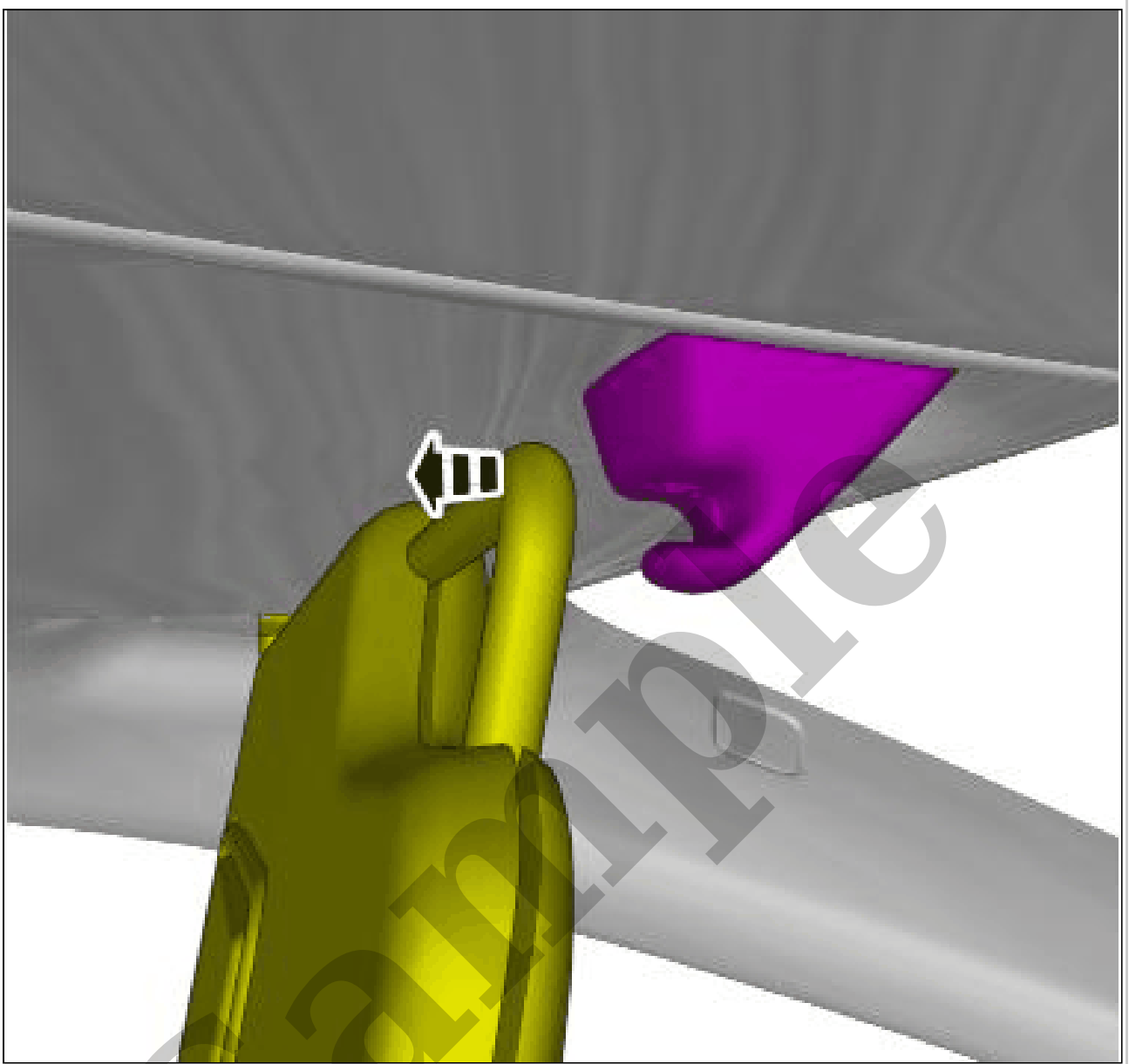
- A-pillar trim panel. Refer to: A-PILLAR TRIM PANEL
- C-pillar trim panel. Refer to: C-PILLAR TRIM PANEL
- inner rear view mirror. Refer to: INNER REAR VIEW MIRROR

Sample



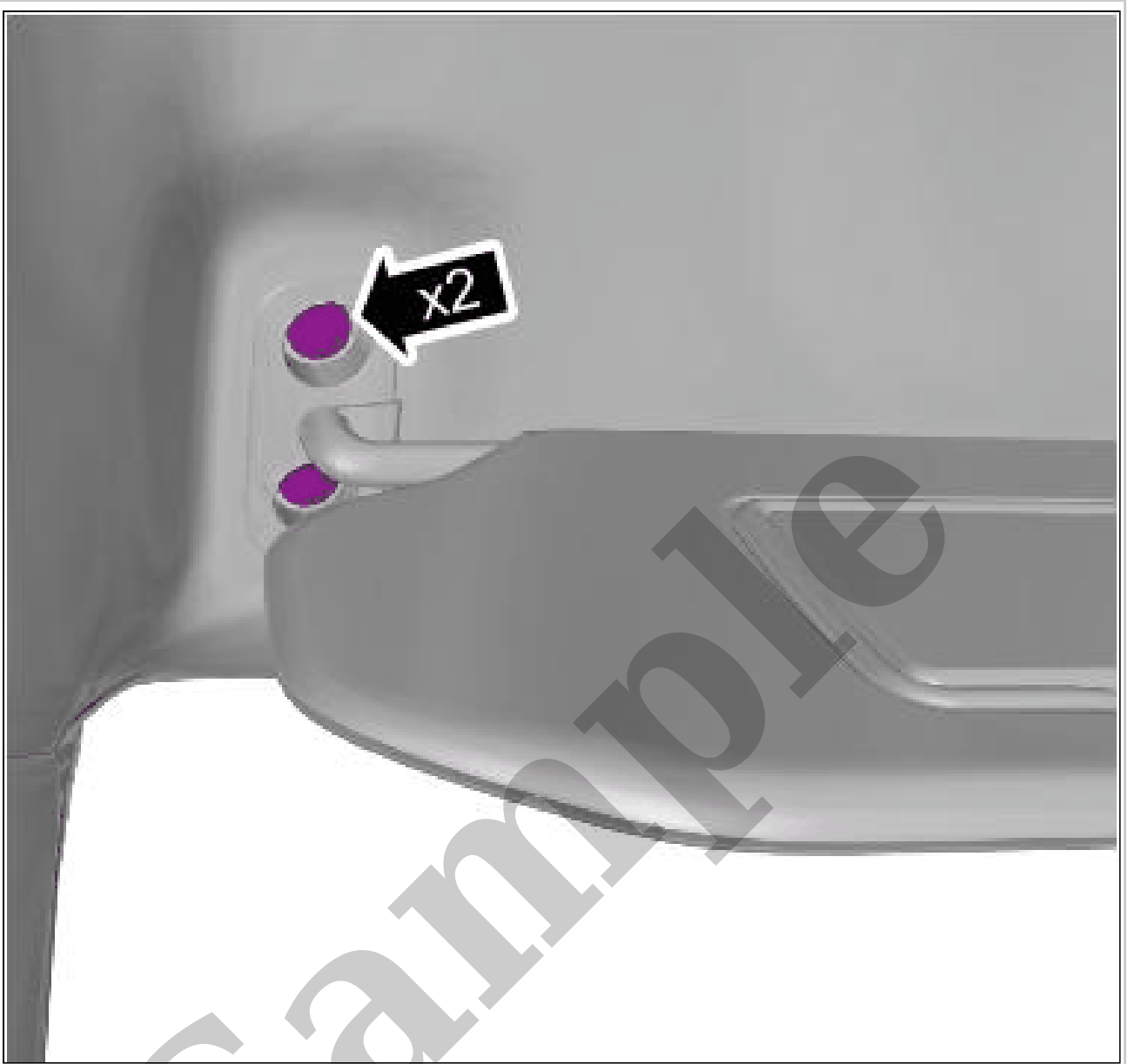
Courtesy of VOLVO CARS CORPORATION

NOTE: *The graphic shows the back of the component before removal.*



Courtesy of VOLVO CARS CORPORATION

On both sides.



Courtesy of VOLVO CARS CORPORATION

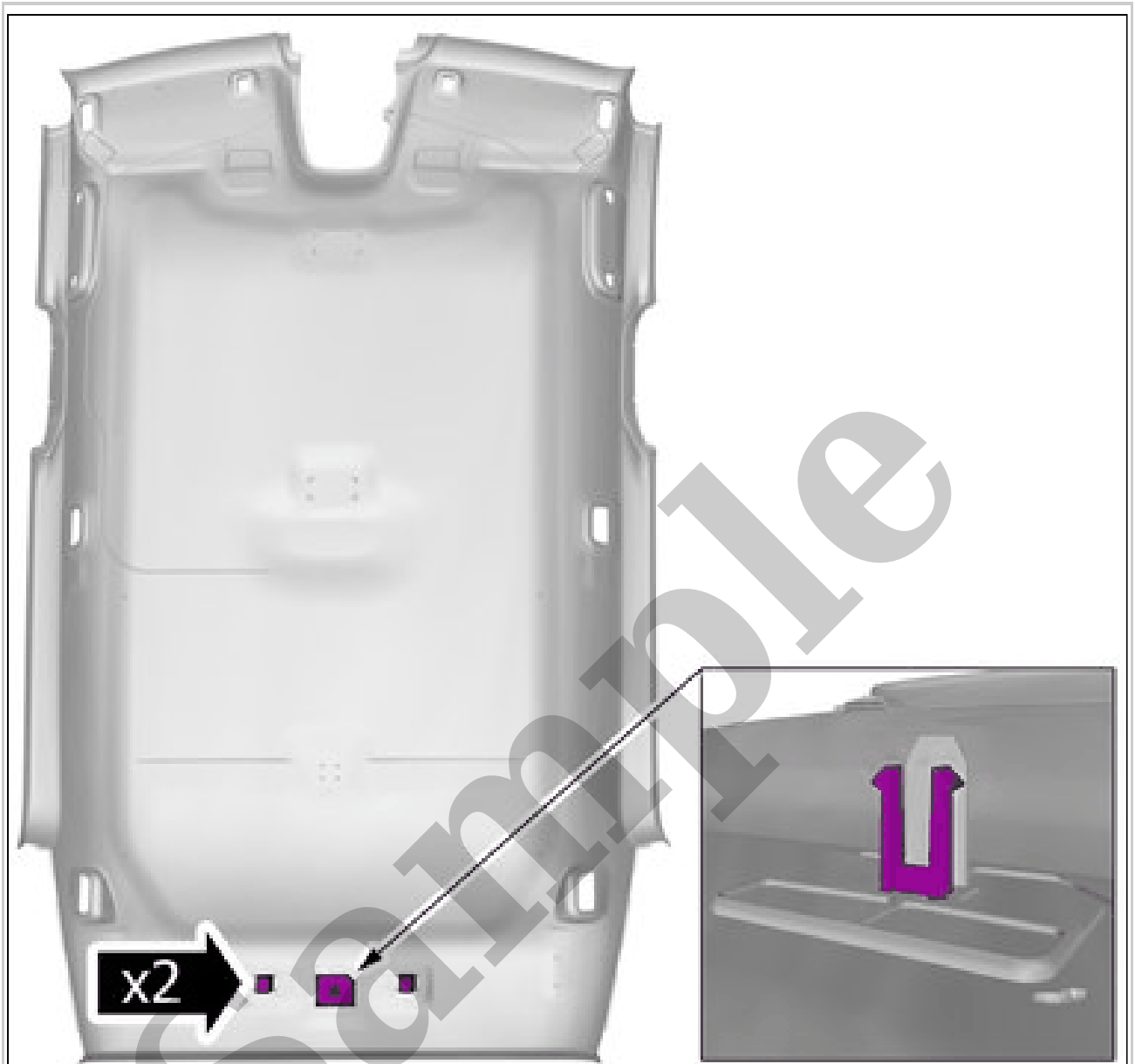
Remove the screws.
On both sides.



Courtesy of VOLVO CARS CORPORATION

The graphic shows the back of the component.

VEHICLES WITHOUT ROOF OPENING PANEL

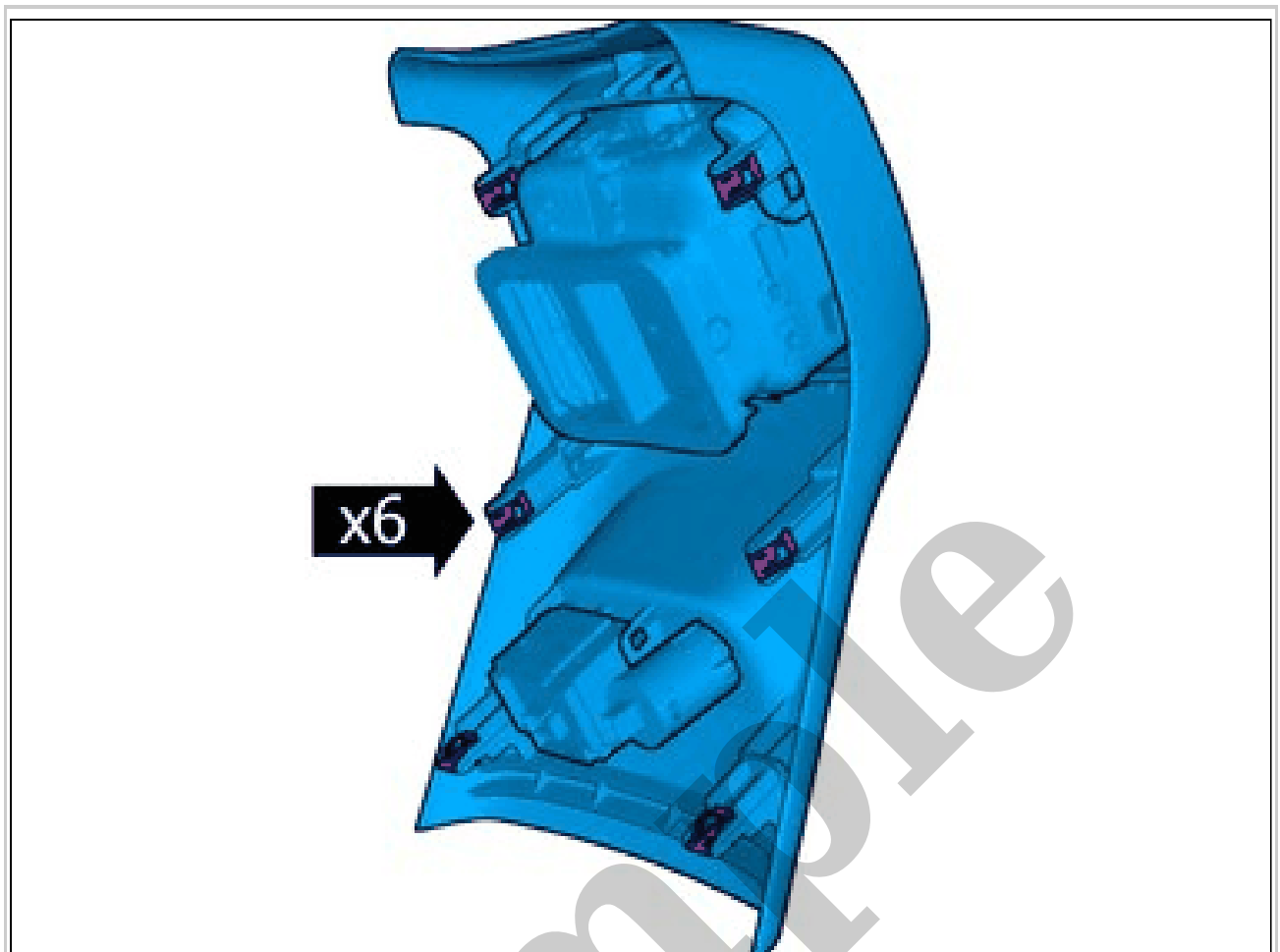


Courtesy of VOLVO CARS CORPORATION

CAUTION: Take extra care not to crease the headliner.

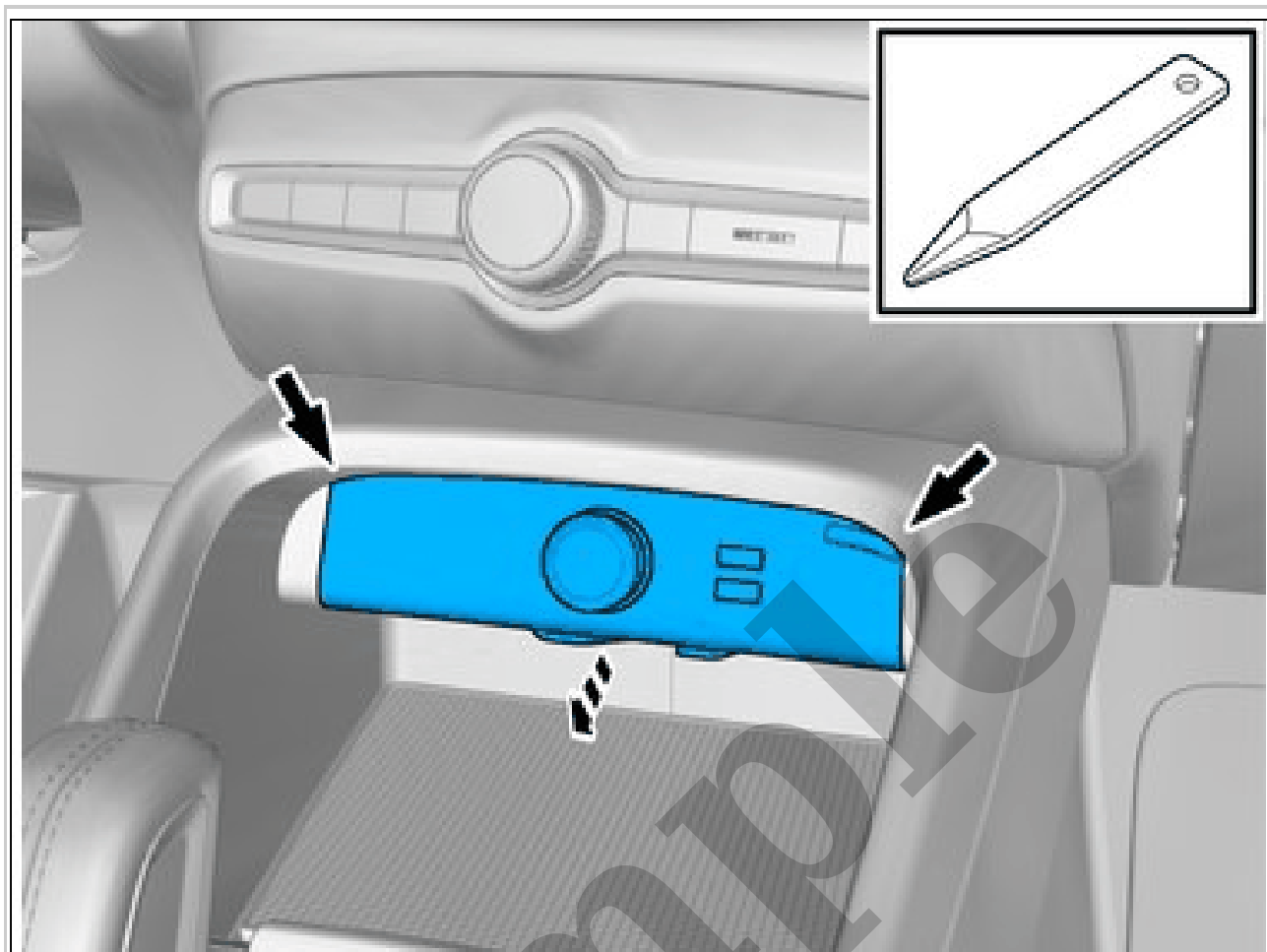
NOTE: The graphic shows the back of the component before removal.

NOTE: Velcro strip



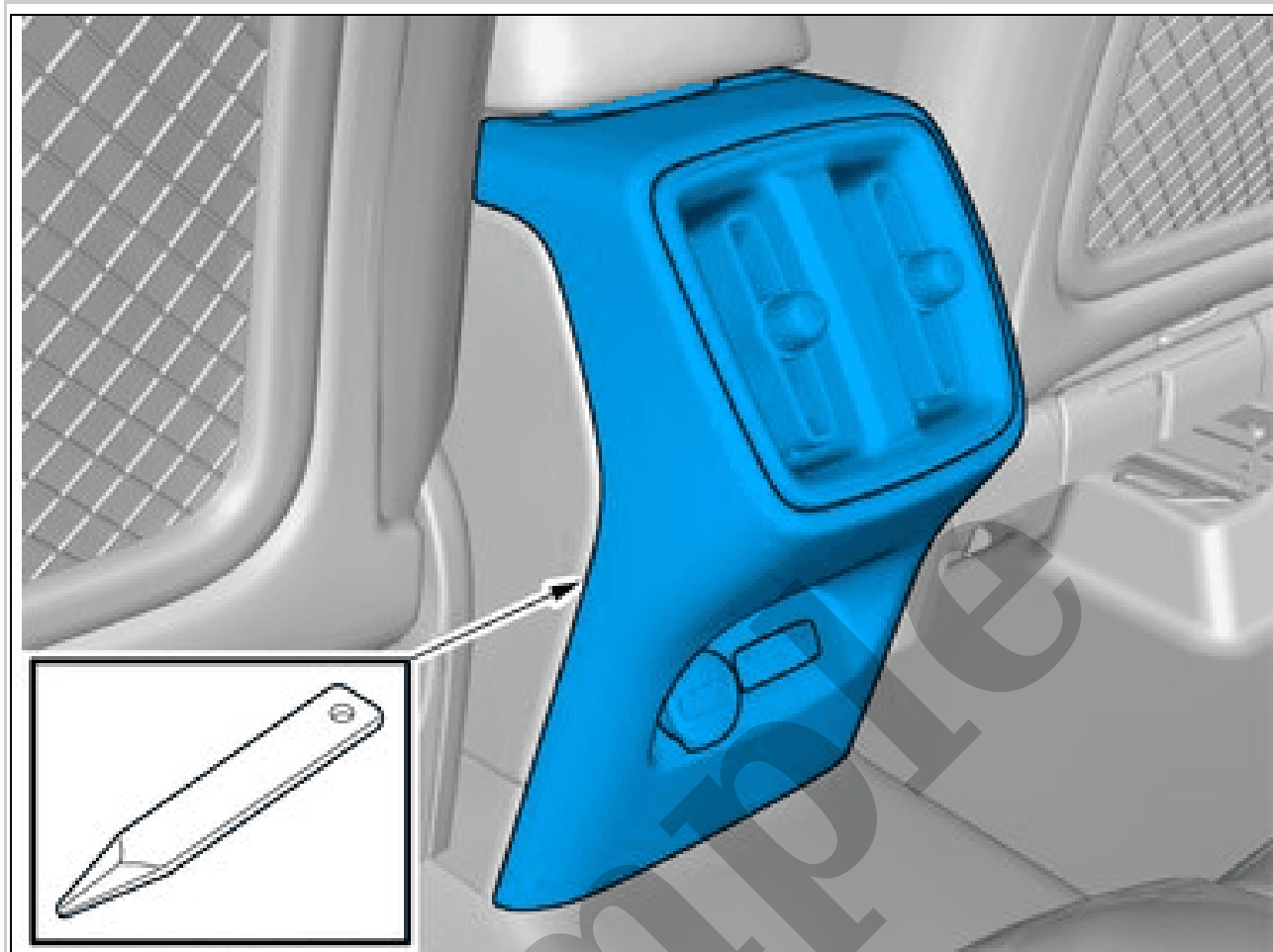
Courtesy of VOLVO CARS CORPORATION

NOTE: *The graphic shows the back of the component before removal.*



Courtesy of VOLVO CARS CORPORATION

Sample



Courtesy of VOLVO CARS CORPORATION