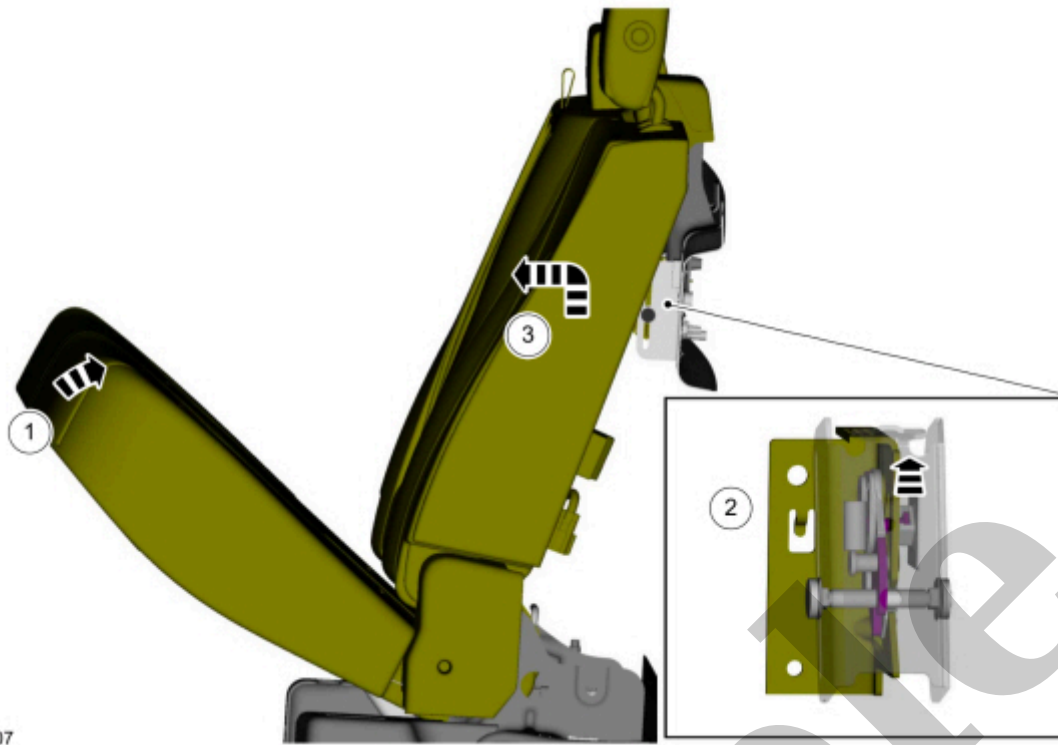


# Your Ultimate Source for OEM Repair Manuals

FactoryManuals.net is a great resource for anyone who wants to save money on repairs by doing their own work. The manuals provide detailed instructions and diagrams that make it easy to understand how to fix a vehicle.

## 1979 FORD Fiesta 3 Doors OEM Service and Repair Workshop Manual

[Go to manual page](#)



E195107

[Click here to learn about symbols, color coding, and icons used in this manual.](#)

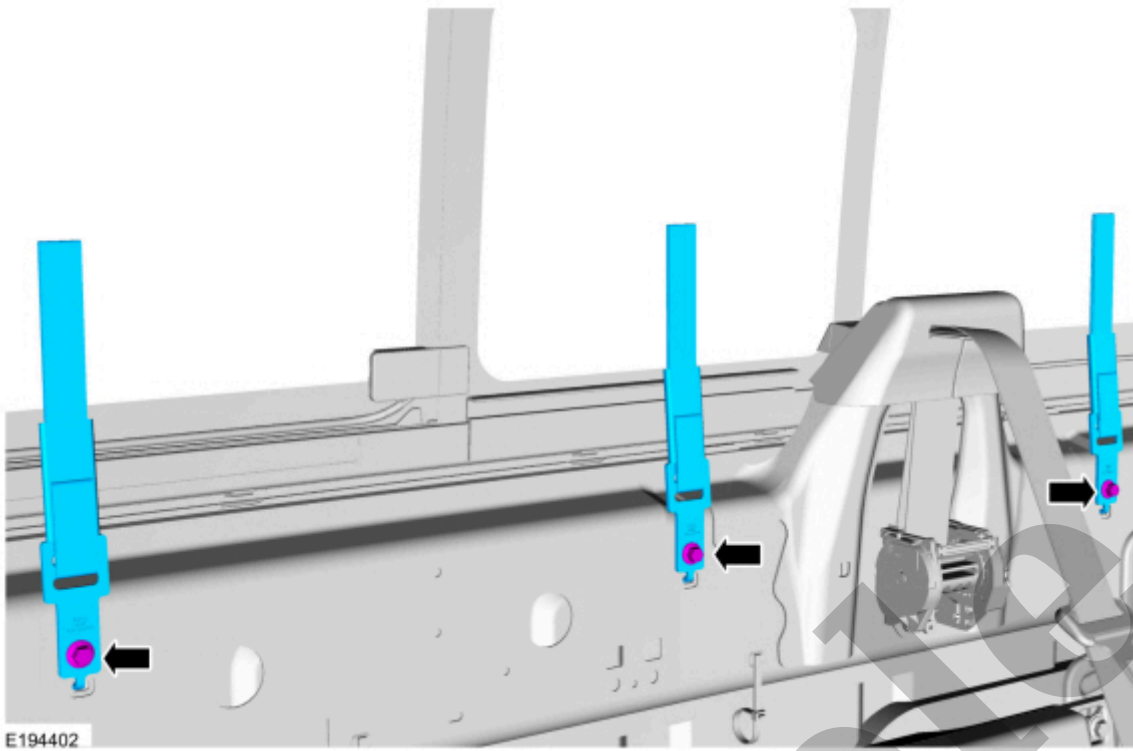
### SuperCab and SuperCrew

3. Release the seat latch and fold the RH (right-hand) rear seat backrest down.



E194399

[Click here to learn about symbols, color coding, and icons used in this manual.](#)

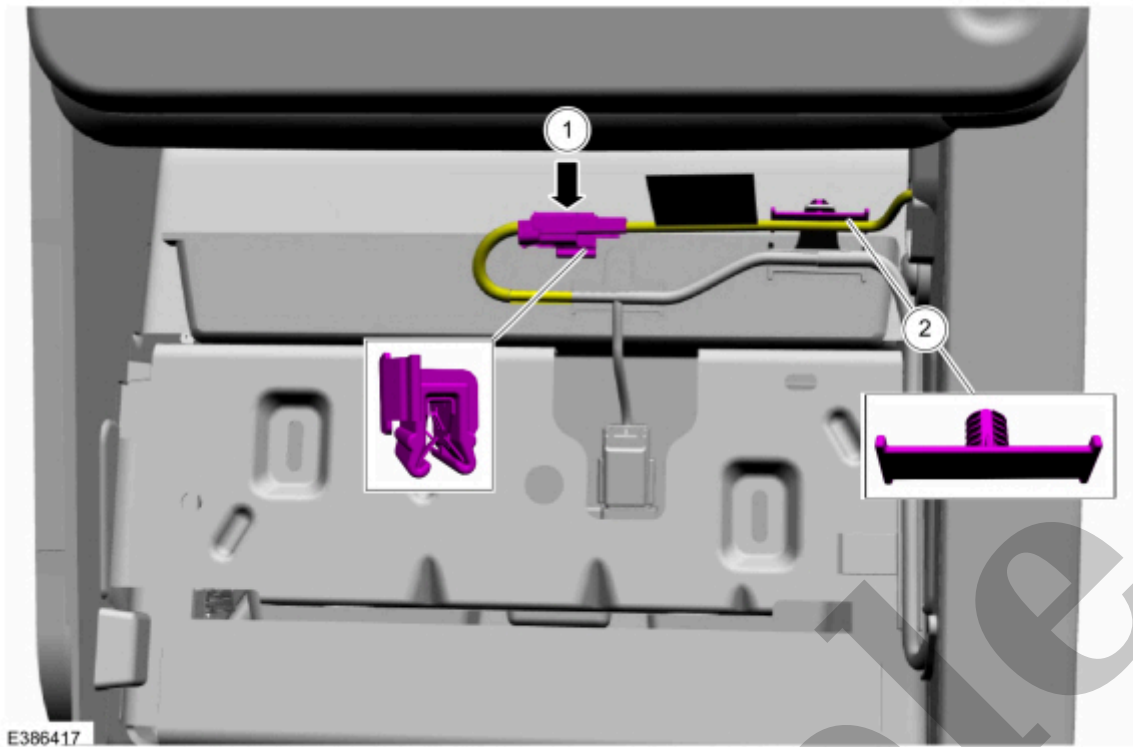


[Click here to learn about symbols, color coding, and icons used in this manual.](#)

### **Installation**

1. To install, reverse the removal procedure.

Copyright © Ford Motor Company



[Click here to learn about symbols, color coding, and icons used in this manual.](#)

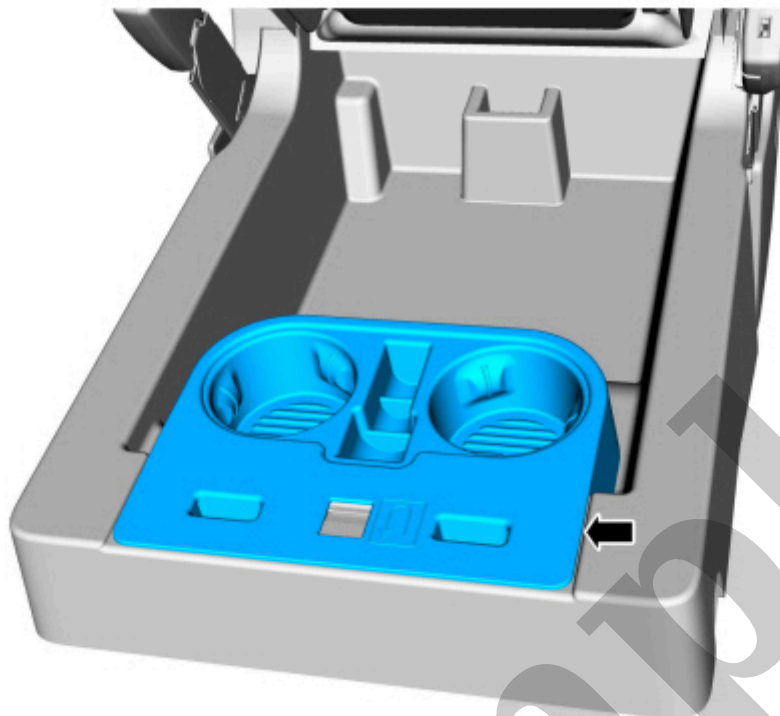
4. If equipped.

1. Disconnect the PATS (passive anti-theft system) center antenna.
2. Detach the front center seat wiring harness retainer.
3. Detach the front center seat wiring harness retainer.

[Click here to learn about symbols, color coding, and icons used in this manual.](#)

6. If equipped.

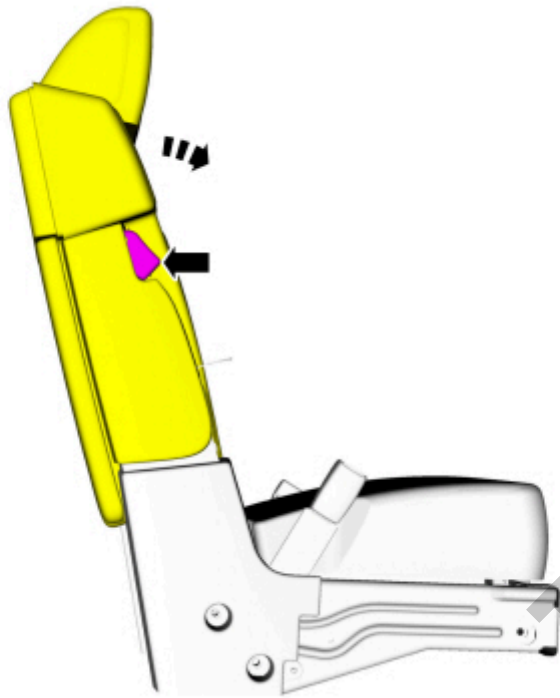
Remove the front center seat cup holder.



E195565

[Click here to learn about symbols, color coding, and icons used in this manual.](#)

7. Remove the screws and the front center seat storage tray.

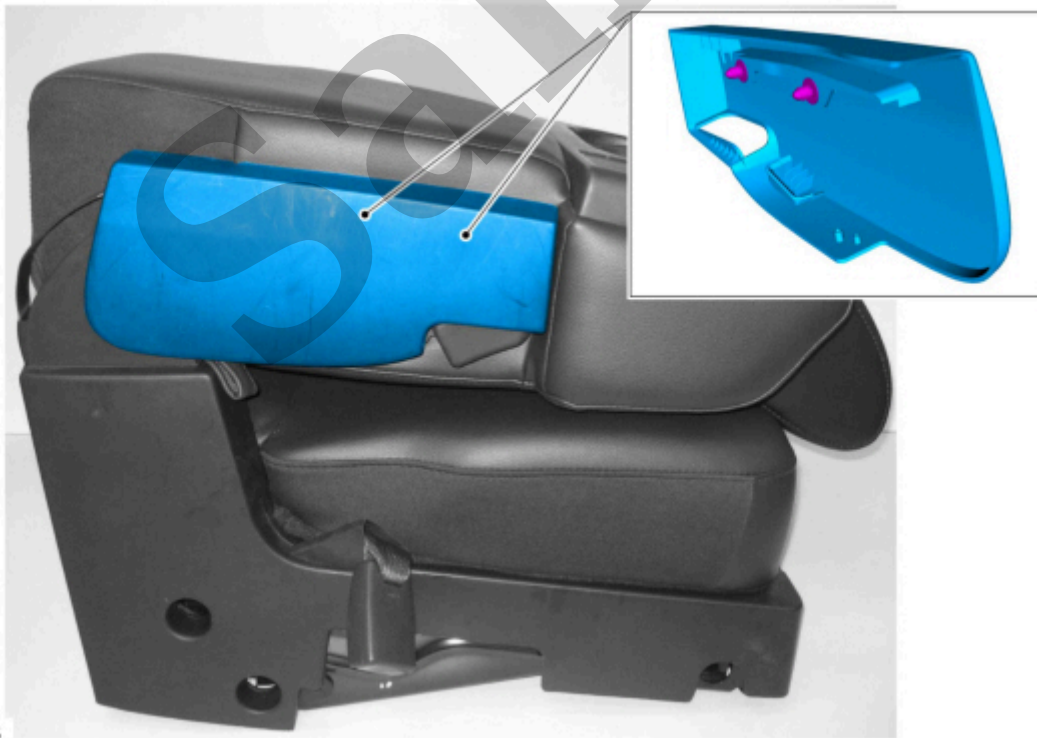


E195586

[Click here to learn about symbols, color coding, and icons used in this manual.](#)

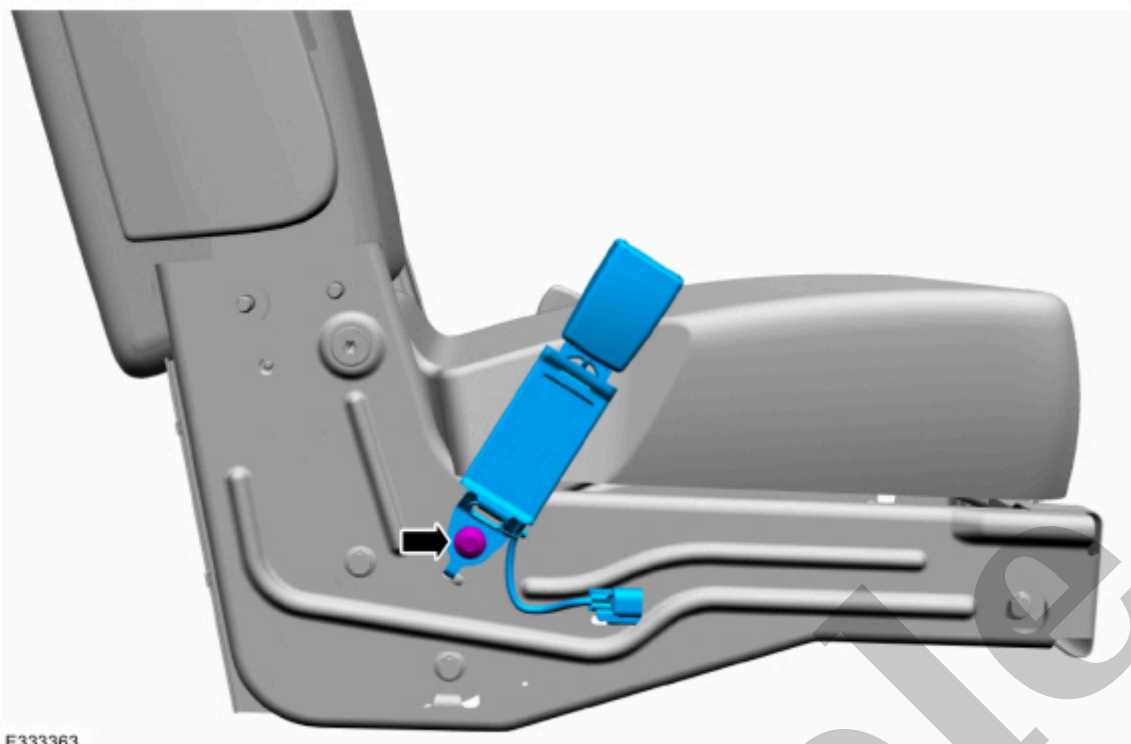
### Front center seatbelt buckle

10. Remove the front center seat backrest latch cover.



E193445

[Click here to learn about symbols, color coding, and icons used in this manual.](#)

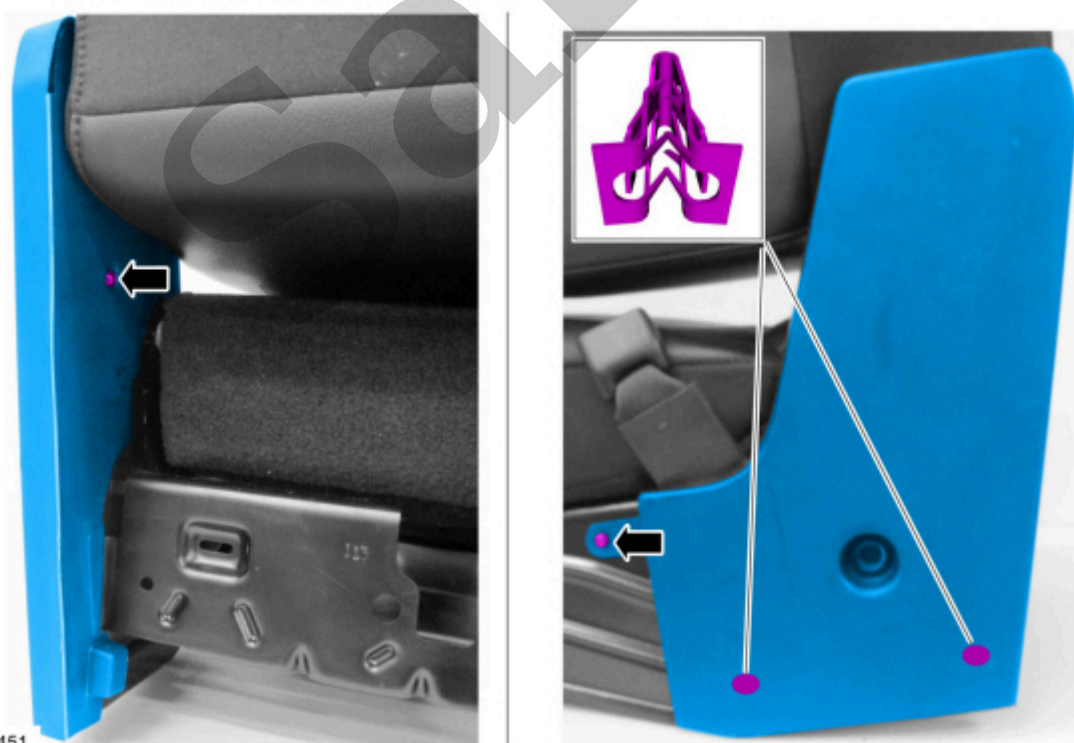


E333363

[Click here to learn about symbols, color coding, and icons used in this manual.](#)

### Detachable front center seatbelt anchor

13. Remove the screws, release the retaining clips and remove the front center seat LH (left-hand) side shield.



E193451

## Front Center Seatbelt Buckle - SuperCab/SuperCrew

<b>501-20A Seatbelt Systems</b>	<b>2022 F-150</b>
<b>Removal and Installation</b>	<b>Procedure revision date: 04/28/2022</b>

### Front Center Seatbelt Buckle - SuperCab/SuperCrew

#### Removal

##### NOTE

Removal steps in this procedure may contain installation details.

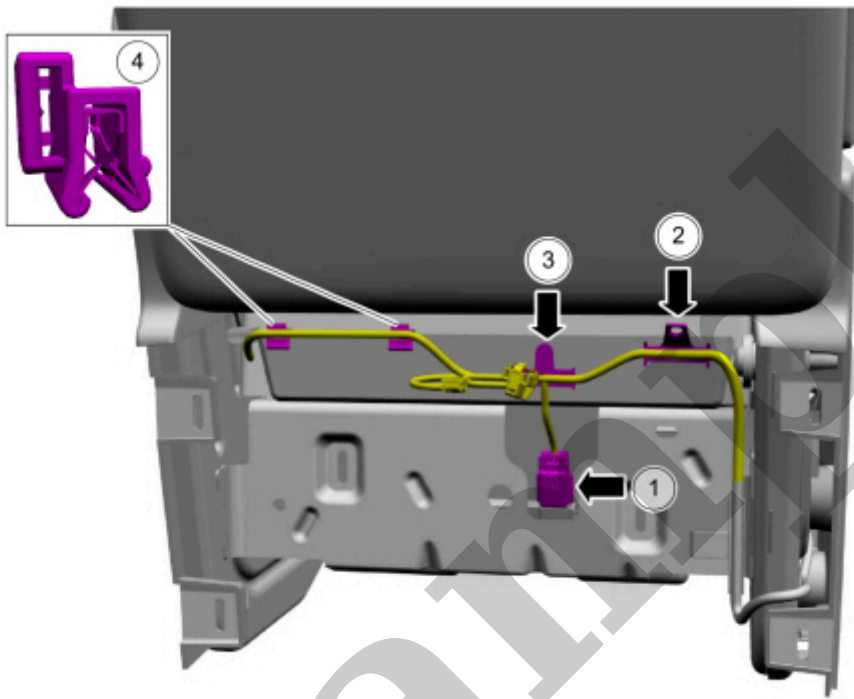
1. Remove the front center seat.  
Refer to: [Front Center Seat](#)(501-10A Front Seats, Removal and Installation).
2. If equipped with front center seat work surface.  
Remove the front center seat work surface.  
Refer to: [Front Center Seat Work Surface](#)(501-10A Front Seats, Removal and Installation).
3. Remove the front center seat rear cup holder assembly.
  1. Release the retainers and pull the front seat rear cup holder assembly out.
  2. Disconnect the auxiliary power point and the USB (universal serial bus) electrical connectors.



[Click here to learn about symbols, color coding, and icons used in this manual.](#)

5. If equipped.

1. Disconnect the PATS (passive anti-theft system) center antenna.
2. Detach the front center seat wiring harness retainers.
3. Detach the front center seat wiring harness retainers.
4. Detach the front center seat wiring harness retainers.



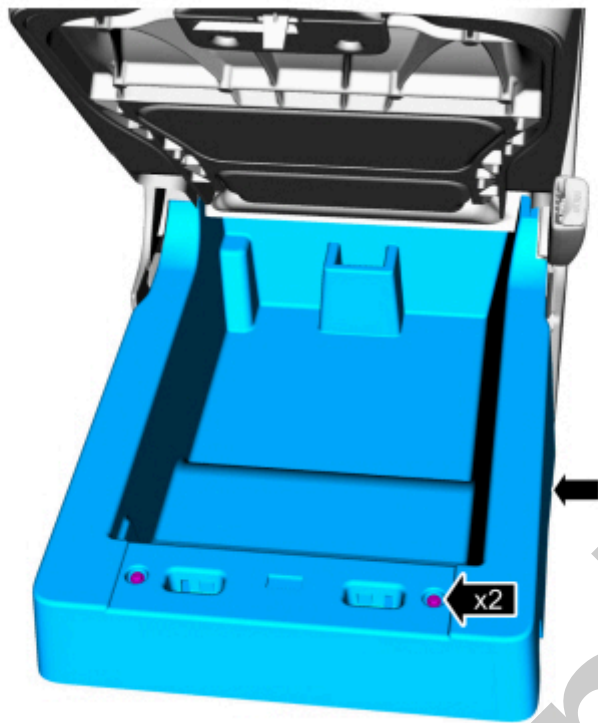
E331698

[Click here to learn about symbols, color coding, and icons used in this manual.](#)

6. Lift the front center seat cushion.

1. Release the front center seat cushion latch.
2. Lift the front center seat cushion.

8. Remove the screws and the front center seat storage tray.



E195508

[Click here to learn about symbols, color coding, and icons used in this manual.](#)

9.
  1. Detach and disconnect the front center seatbelt buckle electrical connector.
  2. Detach the front center seatbelt buckle wiring harness retainer.
  3. Detach the front center seatbelt buckle wiring harness retainer.