

# Your Ultimate Source for OEM Repair Manuals

FactoryManuals.net is a great resource for anyone who wants to save money on repairs by doing their own work. The manuals provide detailed instructions and diagrams that make it easy to understand how to fix a vehicle.

## 1976 FORD Bronco OEM Service and Repair Workshop Manual

[Go to manual page](#)

[Click here to learn about symbols, color coding, and icons used in this manual.](#)

6. **NOTE**

Note the routing of the driver seat cushion SCMG (driver multi-contour seat module) for installation.

Remove the front seat cushion adjuster while routing the driver seat cushion SCMG (driver multi-contour seat module) through the front seat track.



[Click here to learn about symbols, color coding, and icons used in this manual.](#)

**Installation**

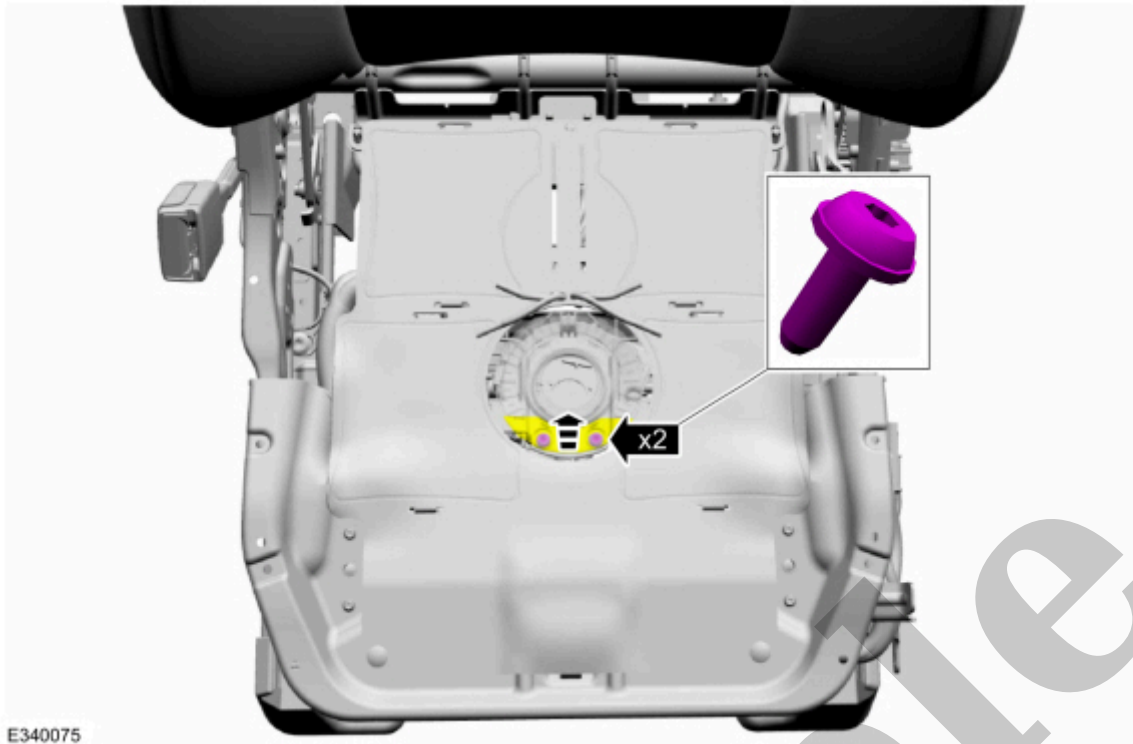
1. To install reverse the removal procedure.

**Driver seat**

2. **NOTE**

This step is only necessary when installing a new component.

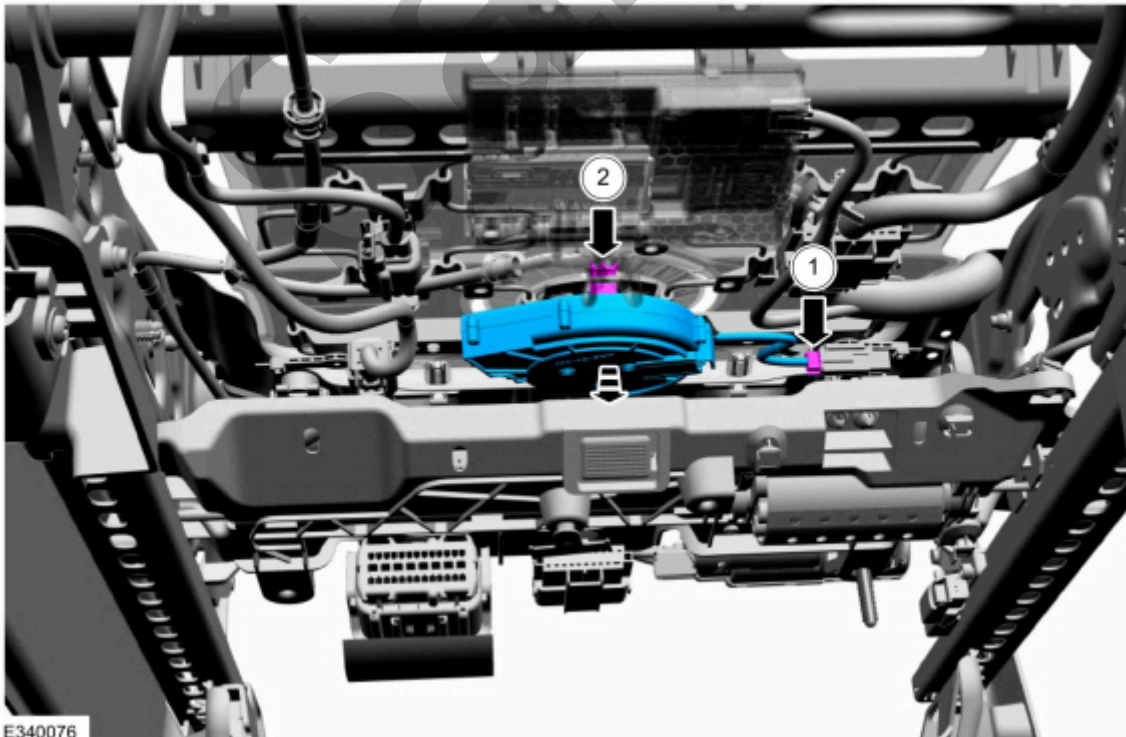
Using a diagnostic scan tool, complete the PMI (programmable module installation) process for the SCMG (driver multi-contour seat module) following the on-screen instructions.



[Click here to learn about symbols, color coding, and icons used in this manual.](#)

3. Remove the front seat cushion blower motor.

1. Disconnect the electrical connector.
2. Release the retainer.



## Front Seat Cushion Cover - Vehicles With: Multi-Contour Seats

<b>501-10A Front Seats</b>	<b>2022 F-150</b>
<b>Removal and Installation</b>	<b>Procedure revision date: 12/8/2021</b>

### Front Seat Cushion Cover - Vehicles With: Multi-Contour Seats

#### Removal

##### NOTE

Removal steps in this procedure may contain installation details.

#### Passenger seat

1. Remove the OCS (occupant classification system) .

Refer to: [Occupant Classification System \(OCS\) Sensor - Vehicles With: Multi-Contour Seats](#)(501-20B Supplemental Restraint System, Removal and Installation).

#### Driver seat

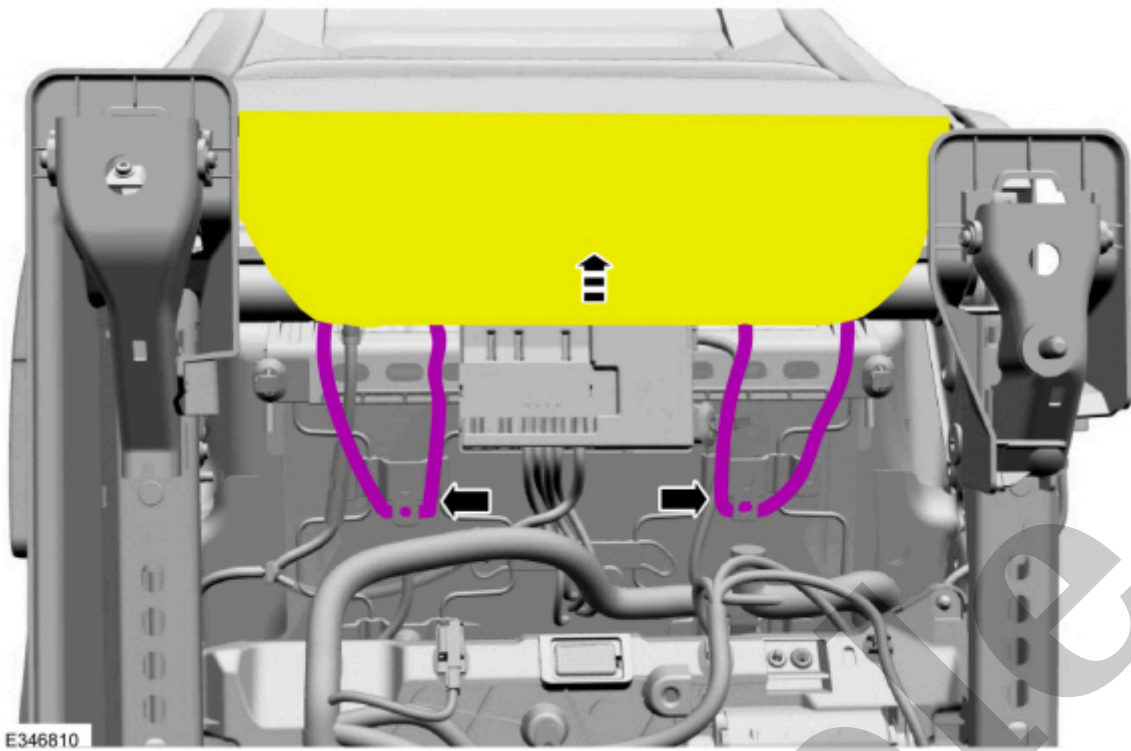
2. Remove the front seat.

Refer to: [Front Seat](#)(501-10A Front Seats, Removal and Installation).

3. **NOTE**

Note the routing of the front seat cushion heater mat wiring harness for installation.

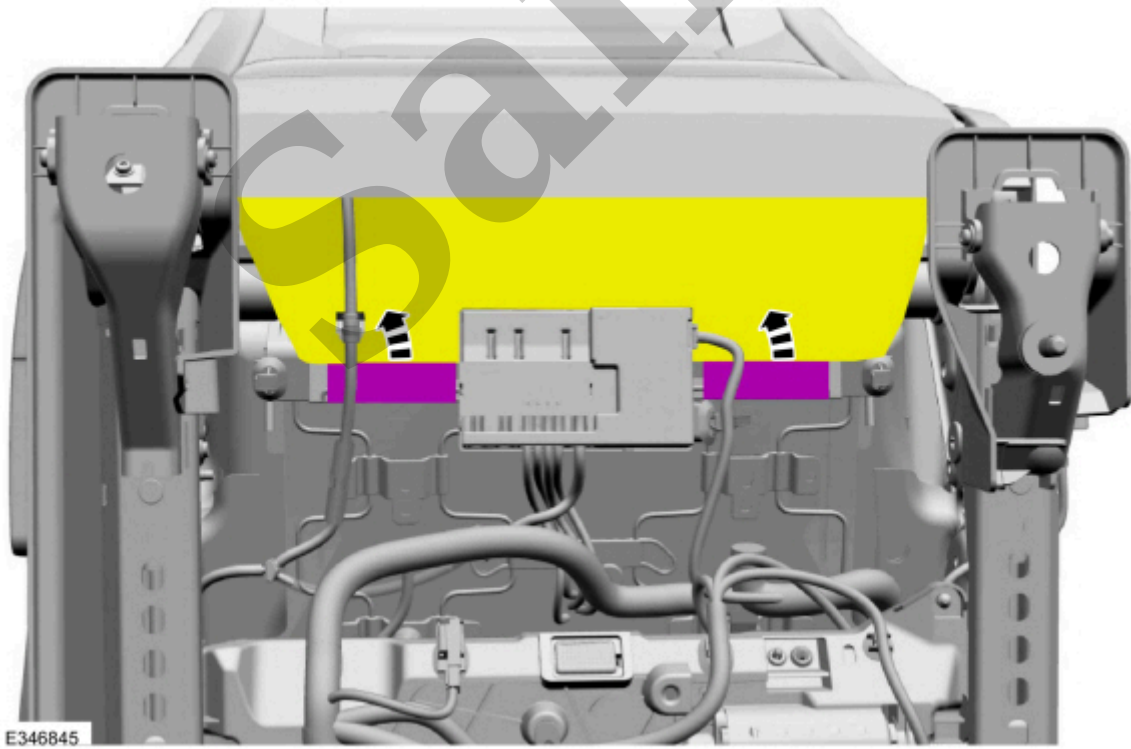
Disconnect the front seat cushion heater mat electrical connector.



[Click here to learn about symbols, color coding, and icons used in this manual.](#)

6. Driver seat without max recline.

Detach the front seat cushion cover J-clips and position and position the front seat cushion cover aside.



[Click here to learn about symbols, color coding, and icons used in this manual.](#)

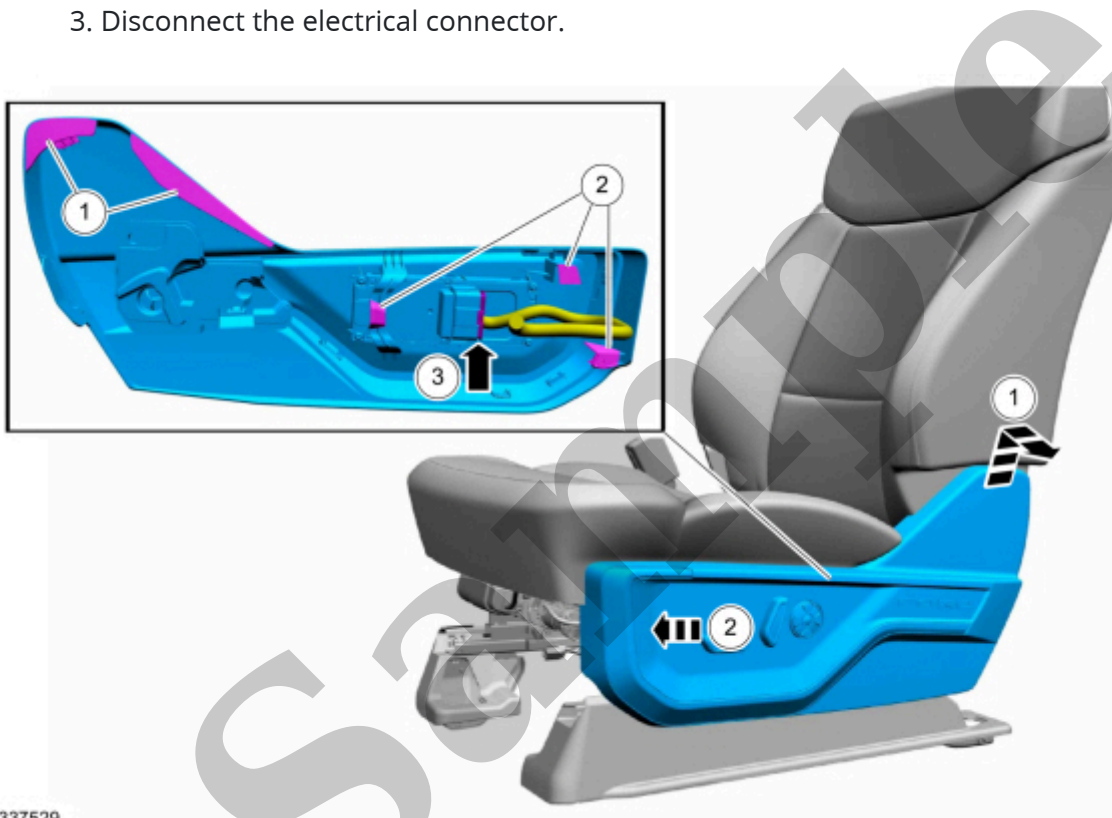
[Click here to learn about symbols, color coding, and icons used in this manual.](#)

9. **NOTE**

Front seat side shield with power recline shown, all others similar.

Remove the front seat side shield.

1. Lift the rear of the front seat side shield and pull outward.
2. Push the front seat side shield forward.
3. Disconnect the electrical connector.



[Click here to learn about symbols, color coding, and icons used in this manual.](#)

10. Remove the front seat cushion cover and foam as an assembly.

1. Detach the front J-clip.
2. On both sides.  
Detach the corner J-clips.
3. On both sides.  
Detach the side J-clip.



E341204

[Click here to learn about symbols, color coding, and icons used in this manual.](#)

12. **NOTE**

This step is necessary only when installing a new component.

**NOTE**

Base front seat shown, other front seats similar.

Remove the front seat cushion cover.

1. Invert the front seat cushion cover.

2. **NOTICE**

Use care when separating the front seat cushion cover from the hook-and-loop strips, or the hook-and-loop strips can be torn from the front seat cushion foam.

Release the outer hook-and-loop strips.

3. **NOTICE**

## Front Seat Cushion Cover - Vehicles Without: Multi-Contour Seats

<b>501-10A Front Seats</b>	<b>2022 F-150</b>
<b>Removal and Installation</b>	<b>Procedure revision date: 07/21/2021</b>

### Front Seat Cushion Cover - Vehicles Without: Multi-Contour Seats

#### Removal

##### Passenger seat

1. Remove the OCS (occupant classification system) .

Refer to: [Occupant Classification System \(OCS\) Sensor - Vehicles Without: Multi-Contour Seats](#)(501-20B Supplemental Restraint System, Removal and Installation).

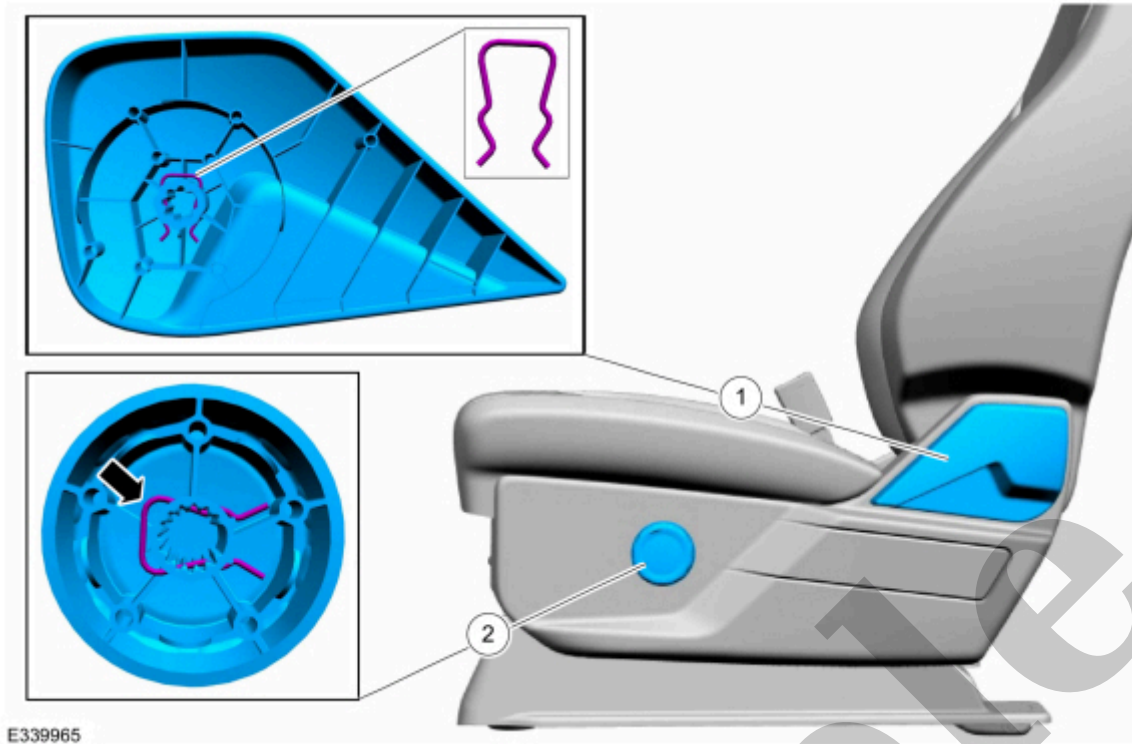
##### All driver seats

2. Remove the front seat.

Refer to: [Front Seat](#)(501-10A Front Seats, Removal and Installation).

3. Remove the front seat side shield screws.





[Click here to learn about symbols, color coding, and icons used in this manual.](#)

#### 5. NOTE

Front seat side shield with manual lumbar shown, front seat side shield without manual lumbar similar.

Remove the front seat side shield.

1. Firmly grasp the front seat side shield, lift up and out, separating the front seat side shield from the recliner bracket.
2. From underneath, squeeze the retainers together and pull out on the front seat side shield.
3. If equipped with manual adjusting lumbar.  
Pull the front seat side shield over the front seat manual lumbar adjuster.
4. Slide the front seat side shield forward.

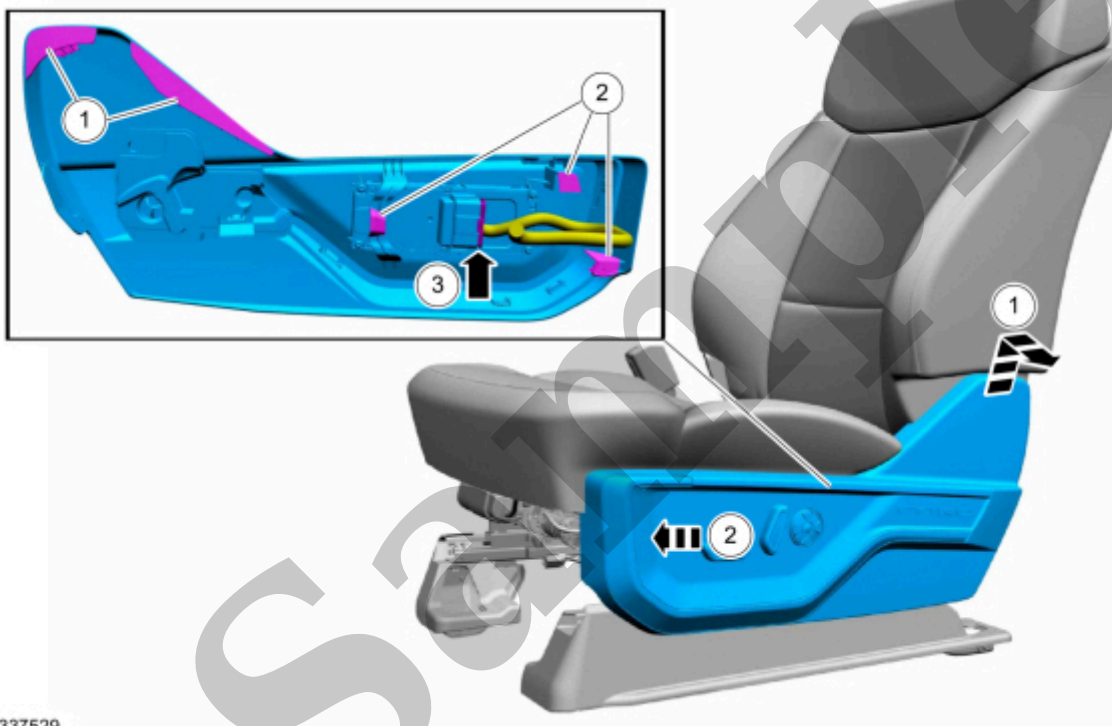
[Click here to learn about symbols, color coding, and icons used in this manual.](#)

## 7. NOTE

Front seat side shield with power recline seat shown, all others similar.

Remove the front seat side shield.

1. Lift the rear of the front seat side shield and pull outward.
2. Push the front seat side shield forward.
3. Disconnect the electrical connector.



E337529

[Click here to learn about symbols, color coding, and icons used in this manual.](#)

## All driver seats

8. Detach the front seat electrical connector retainers and position the front seat wiring harnesses aside.