

Your Ultimate Source for OEM Repair Manuals

FactoryManuals.net is a great resource for anyone who wants to save money on repairs by doing their own work. The manuals provide detailed instructions and diagrams that make it easy to understand how to fix a vehicle.

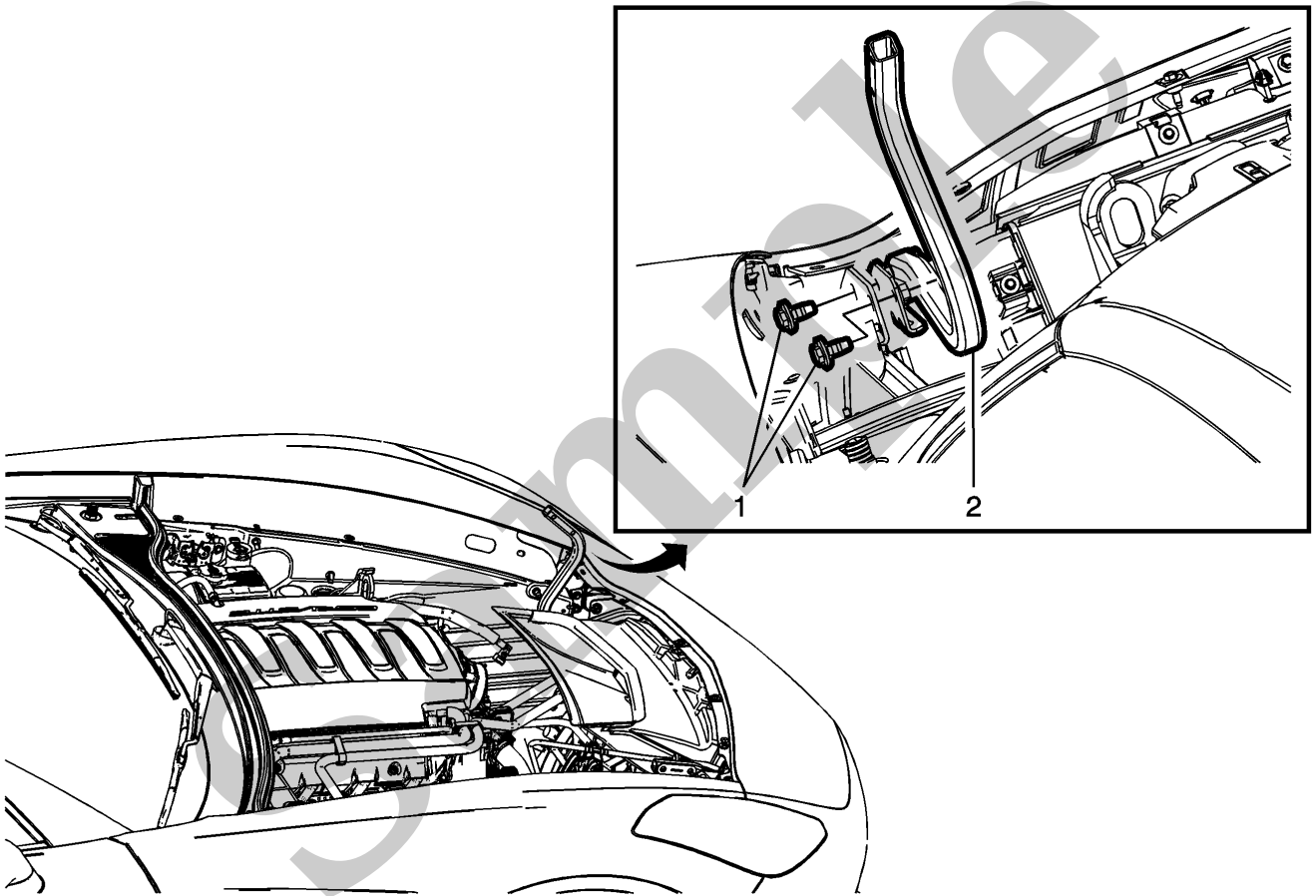
1975 CHEVROLET Corvette C3 OEM Service and Repair Workshop Manual

[Go to manual page](#)

YOUR CURRENT VEHICLE

Hood Hinge Replacement

Hood Hinge Replacement



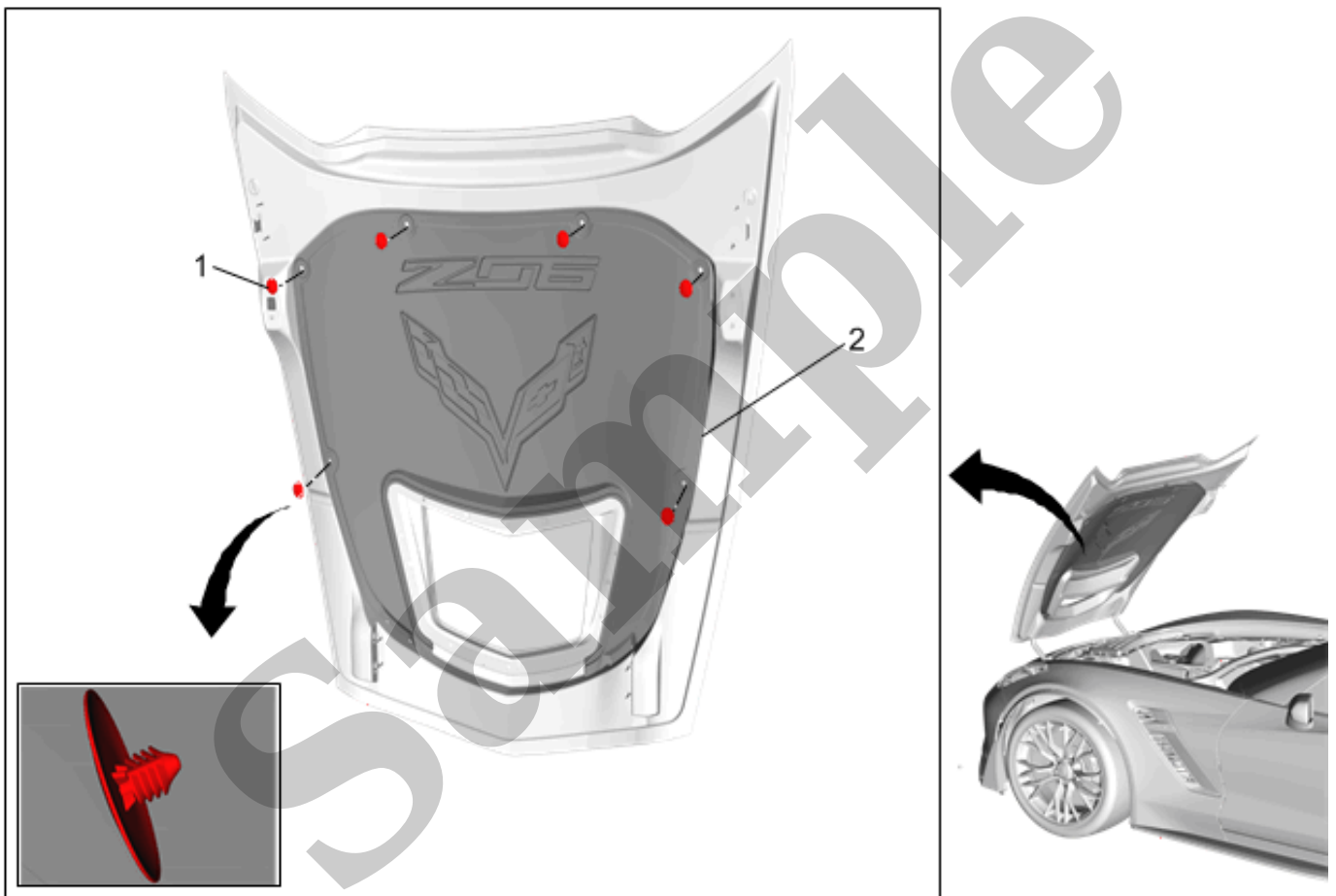
Hood Hinge Replacement

Callout	Component Name
Preliminary Procedure Remove the hood assembly. Refer to Hood Replacement .	
1	Hood Hinge Bolt (Qty: 2)

YOUR CURRENT VEHICLE

Hood Insulator Replacement

Hood Insulator Replacement (With, Z06)



Hood Insulator Replacement

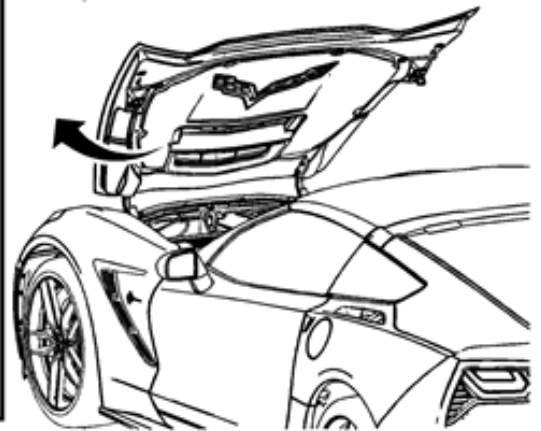
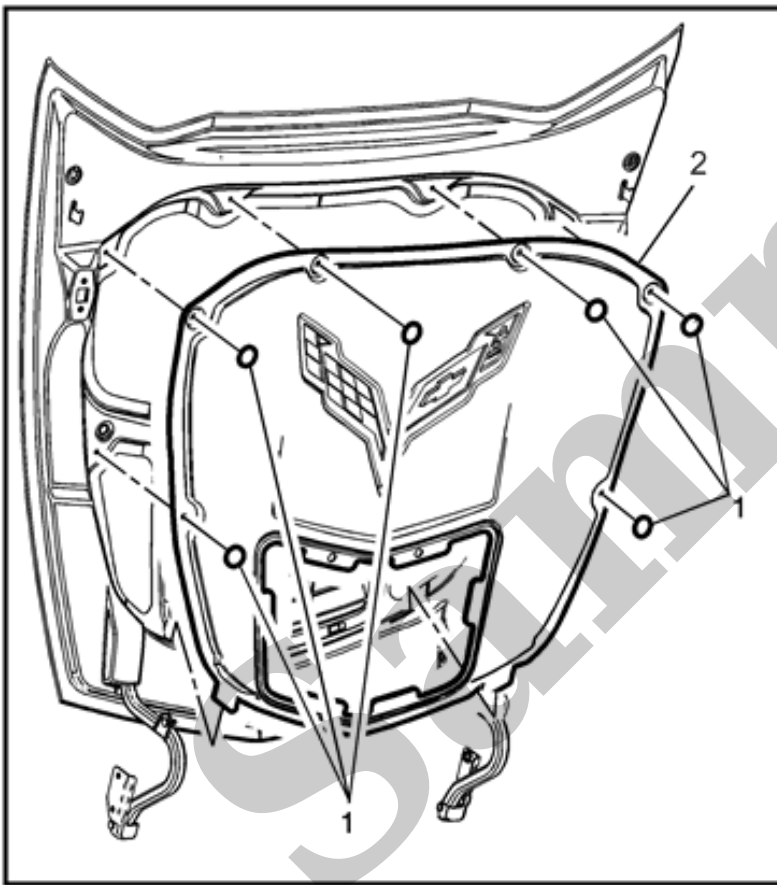
Callout	Component Name
Preliminary Procedure Remove the hood air extractor. Refer to Hood Air Extractor Replacement	
1	Hood Insulator Plastic Retainers (Qty: 6)



YOUR CURRENT VEHICLE

Hood Insulator Replacement

Hood Insulator Replacement (Without, Z06)



Hood Insulator Replacement

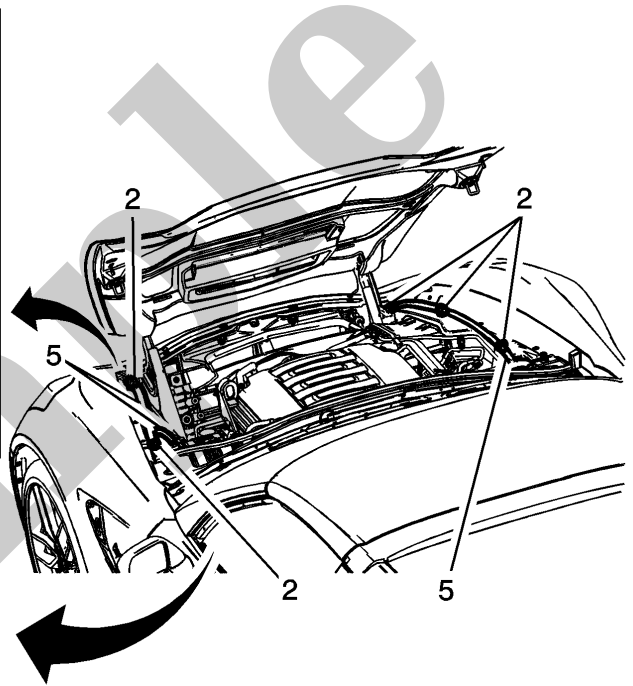
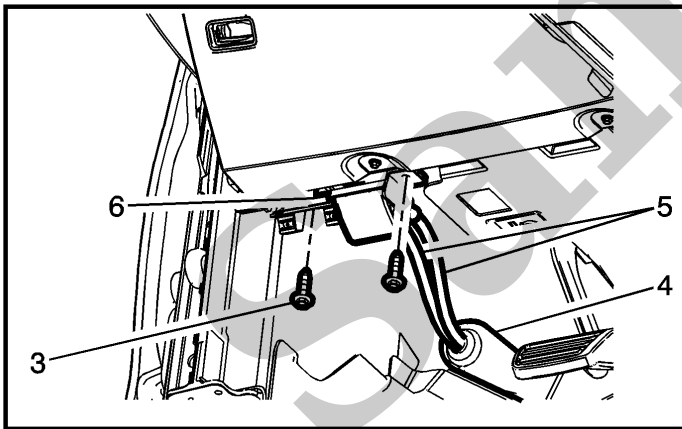
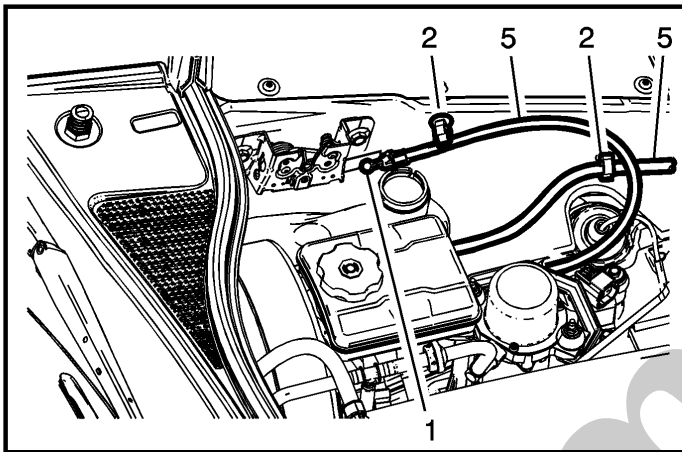
Callout	Component Name
Preliminary Procedure	
Remove the hood air extractor. Refer to Hood Air Extractor Replacement	
1	Hood Insulator Plastic Retainers (Qty: 6)



YOUR CURRENT VEHICLE

Hood Primary Latch Release Cable Replacement

Hood Primary Latch Release Cable Replacement



Hood Primary Latch Release Cable Replacement

Callout	Component Name
Preliminary Procedure	
Remove the front compartment side sight shield front . Refer to Front Compartment Side Sight Shield Replacement - Front	
1	Hood Primary Latch Cable Procedure