

Your Ultimate Source for OEM Repair Manuals

FactoryManuals.net is a great resource for anyone who wants to save money on repairs by doing their own work. The manuals provide detailed instructions and diagrams that make it easy to understand how to fix a vehicle.

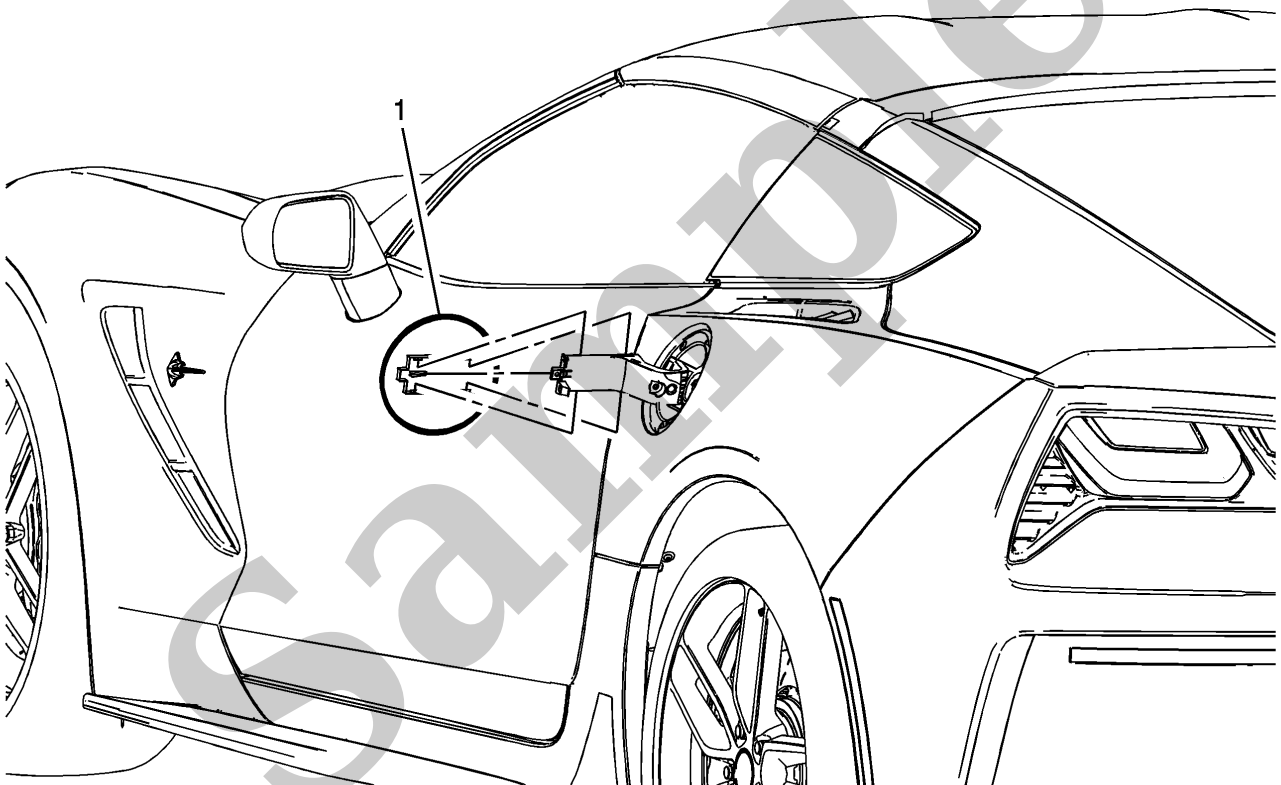
1974 CHEVROLET Corvette C3 OEM Service and Repair Workshop Manual

[Go to manual page](#)

YOUR CURRENT VEHICLE

Fuel Tank Filler Door Replacement

Fuel Tank Filler Door Replacement



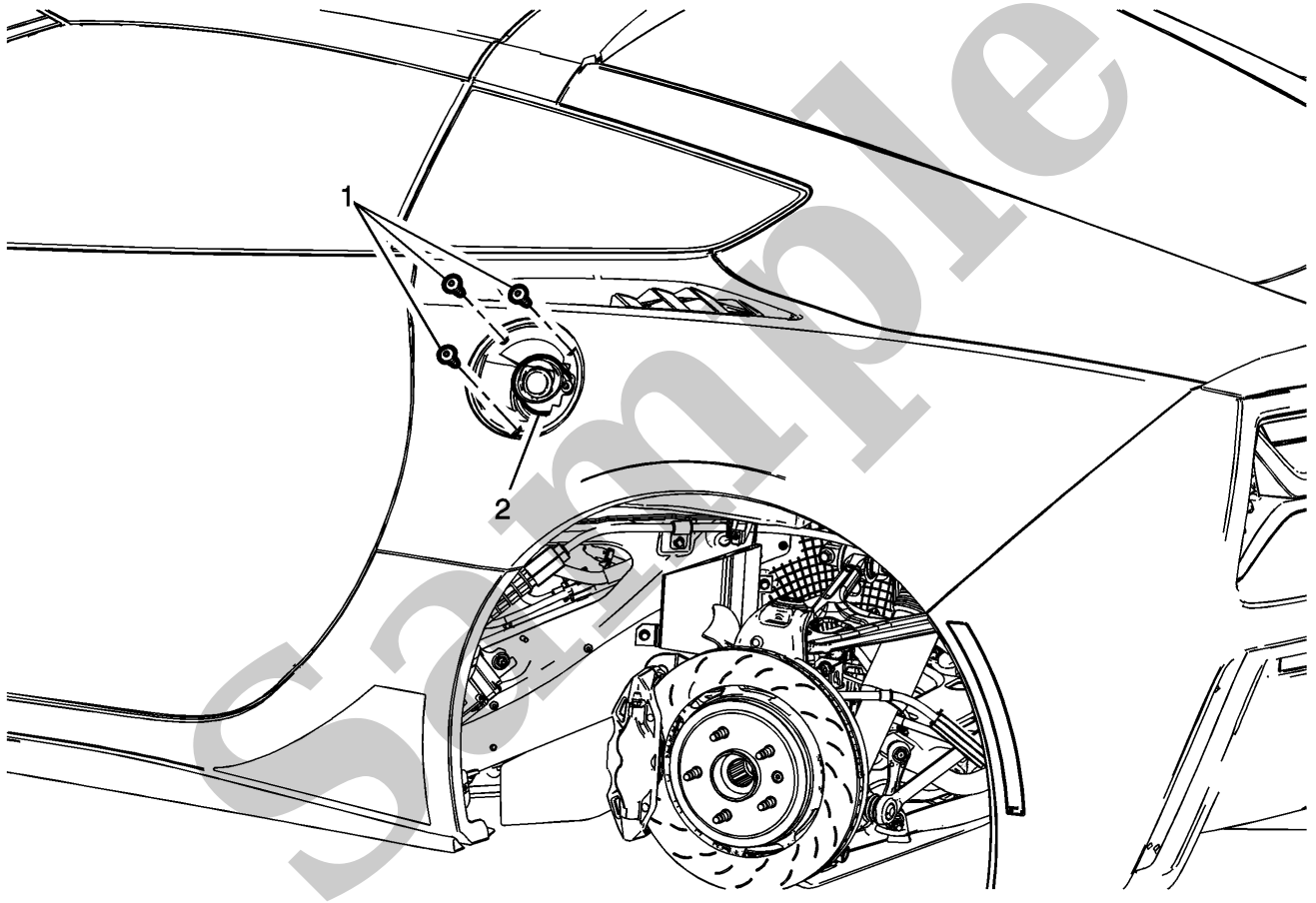
Fuel Tank Filler Door Replacement

| Callout | Component Name |
|---------|--|
| 1 | <p>Fuel Tank Filler Door</p> <p>Procedure</p> <p>Position the fuel tank filler door to the full open position. Using light outward sliding pressure on the filler door, release the retainer on the fuel tank filler door from the hinge.</p> |

YOUR CURRENT VEHICLE

Fuel Tank Filler Pipe Housing Replacement

Fuel Tank Filler Pipe Housing Replacement



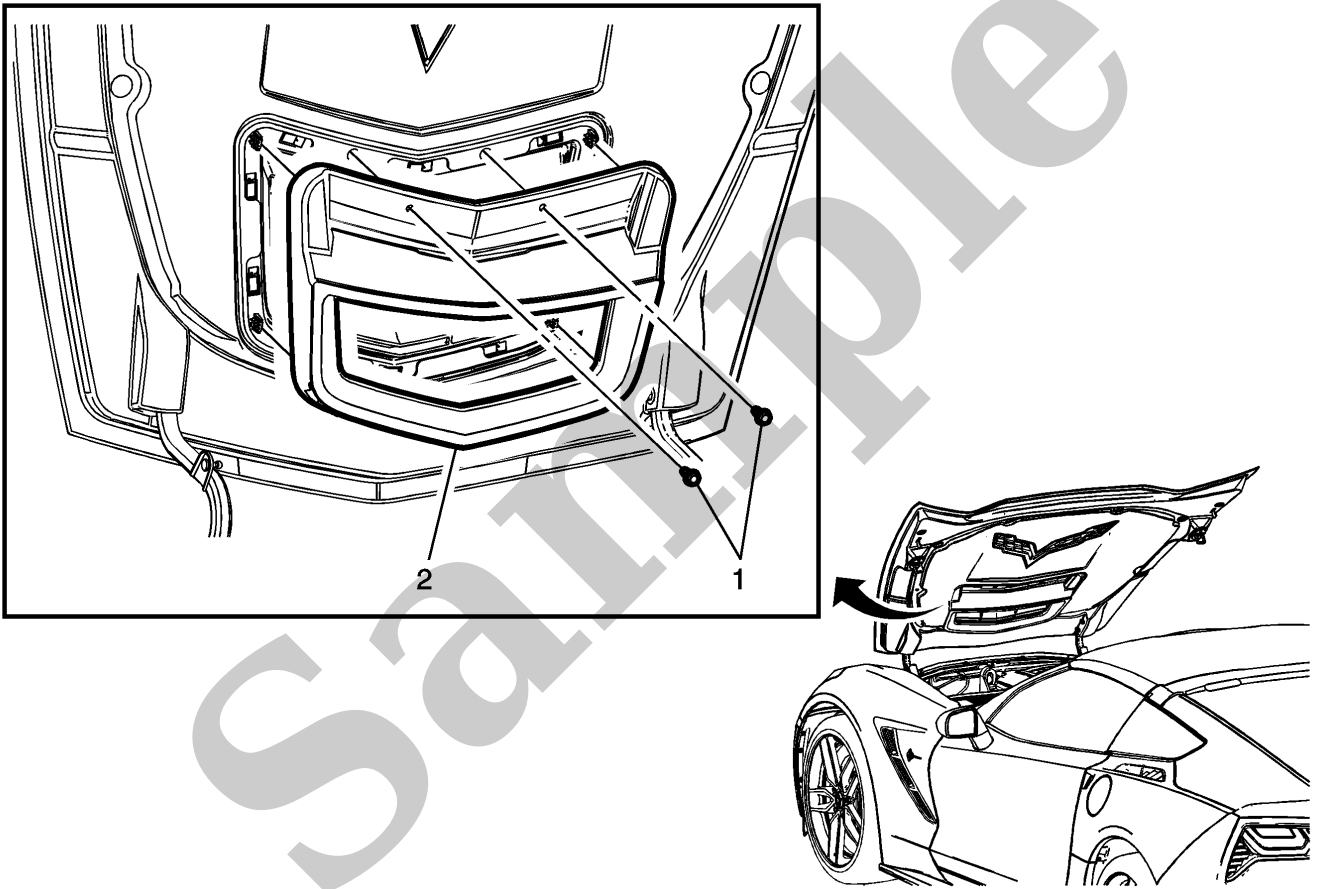
Fuel Tank Filler Pipe Housing Replacement

| Callout | Component Name |
|---|----------------|
| <p>Preliminary Procedures</p> <ol style="list-style-type: none"> 1. Remove the fuel tank filler door. Refer to Fuel Tank Filler Door Replacement. 2. Remove the left rear wheelhouse liner. Refer to Rear Wheelhouse Liner Replacement. 3. Reposition the fuel tank filler hose. Refer to Fuel Tank Filler Hose Replacement | |

YOUR CURRENT VEHICLE

Hood Air Extractor Replacement

Hood Air Extractor Replacement



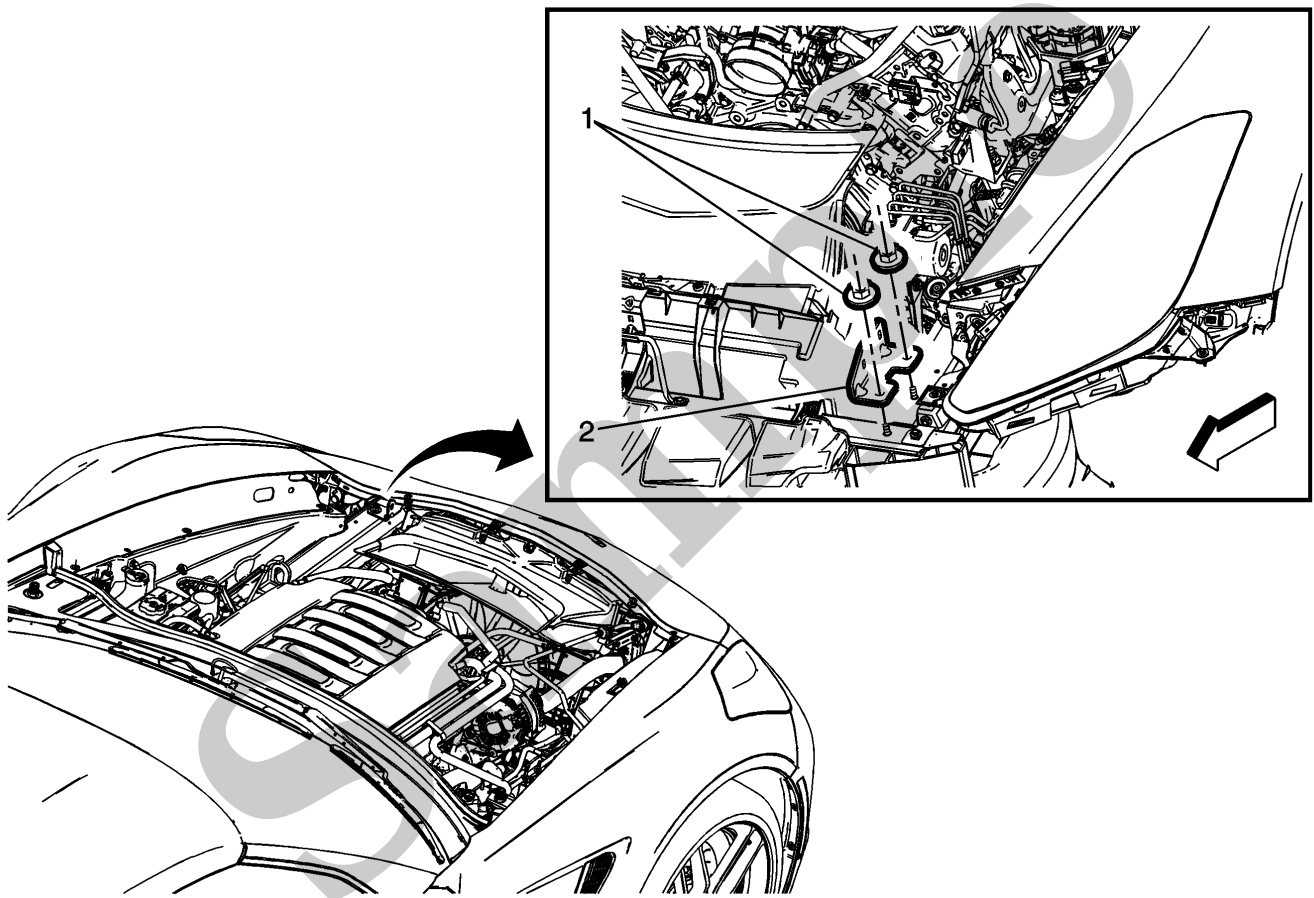
Hood Air Extractor Replacement

| Callout | Component Name |
|---------|---------------------------------|
| 1 | Hood Air Extractor Bolt (Qty 2) |
| | CAUTION |
| | Caution |

YOUR CURRENT VEHICLE

Hood Hinge Bracket Replacement

Hood Hinge Bracket Replacement



Hood Hinge Bracket Replacement

| Callout | Component Name |
|--|---------------------------------|
| Preliminary Procedure Remove the hood hinge. Refer to Hood Hinge Replacement . | |
| 1 | Hood Hinge Bracket Nut (Qty: 2) |