

Your Ultimate Source for OEM Repair Manuals

FactoryManuals.net is a great resource for anyone who wants to save money on repairs by doing their own work. The manuals provide detailed instructions and diagrams that make it easy to understand how to fix a vehicle.

1973 CHEVROLET Corvette C3 OEM Service and Repair Workshop Manual

[Go to manual page](#)

Callout	Component Name
4	<p data-bbox="231 210 440 241">Front Side Door</p> <p data-bbox="296 257 440 288">Procedure</p> <ol data-bbox="268 315 1418 409" style="list-style-type: none"><li data-bbox="268 315 794 347">1. Transfer all components as necessary.<li data-bbox="268 371 1418 409">2. If the door striker needs adjusting. Refer to Front Side Door Lock Striker Adjustment. <p data-bbox="260 459 341 490">NOTE</p> <p data-bbox="252 548 323 580">Note</p> <p data-bbox="252 595 1153 627">Inspect the door for proper operation before installing the door trim.</p>

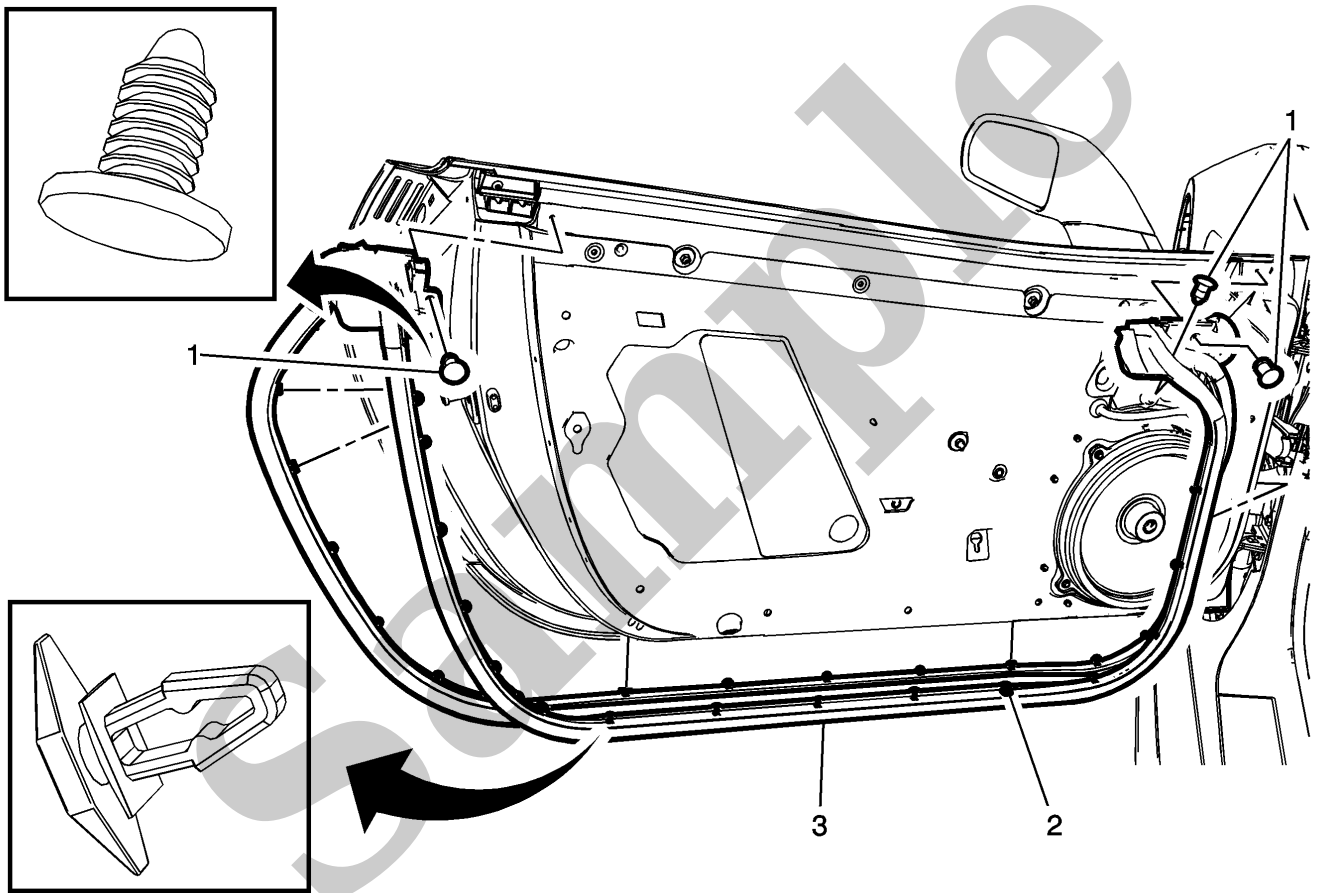
Sample

Callout	Component Name
	<div data-bbox="233 174 1527 264" style="background-color: #f1c40f; padding: 5px;">CAUTION</div> <p data-bbox="261 300 373 327">Caution</p> <p data-bbox="261 367 624 394">Refer to Fastener Caution.</p> <p data-bbox="296 456 440 483">Procedure</p> <ol data-bbox="264 510 1509 649" style="list-style-type: none"> 1. Before removing the door, apply a double layer of masking tape around the perimeter of the painted surfaces. 2. Support the door before removing the hinge bolts. <div data-bbox="233 676 469 851" style="border: 1px solid #ccc; padding: 5px; margin-top: 10px;"> <p data-bbox="242 703 344 730">Tighten</p> <p data-bbox="242 792 450 819">35 N·m (26 lb ft)</p> </div>
2	<p data-bbox="233 958 877 985">Front Side Door Upper Hinge to Door Bolt (Qty: 2)</p> <div data-bbox="233 1016 469 1191" style="border: 1px solid #ccc; padding: 5px; margin-top: 10px;"> <p data-bbox="242 1043 344 1070">Tighten</p> <p data-bbox="242 1133 450 1160">35 N·m (26 lb ft)</p> </div>
3	<p data-bbox="233 1299 612 1326">Front Side Door Upper Hinge</p>
4	<p data-bbox="233 1388 877 1415">Front Side Door Lower Hinge to Body Bolt (Qty: 2)</p> <div data-bbox="233 1447 469 1621" style="border: 1px solid #ccc; padding: 5px; margin-top: 10px;"> <p data-bbox="242 1473 344 1500">Tighten</p> <p data-bbox="242 1563 450 1590">35 N·m (26 lb ft)</p> </div>
5	<p data-bbox="233 1729 877 1756">Front Side Door Lower Hinge to Door Bolt (Qty: 2)</p>

YOUR CURRENT VEHICLE

Front Side Door Weatherstrip Replacement

Front Side Door Weatherstrip Replacement



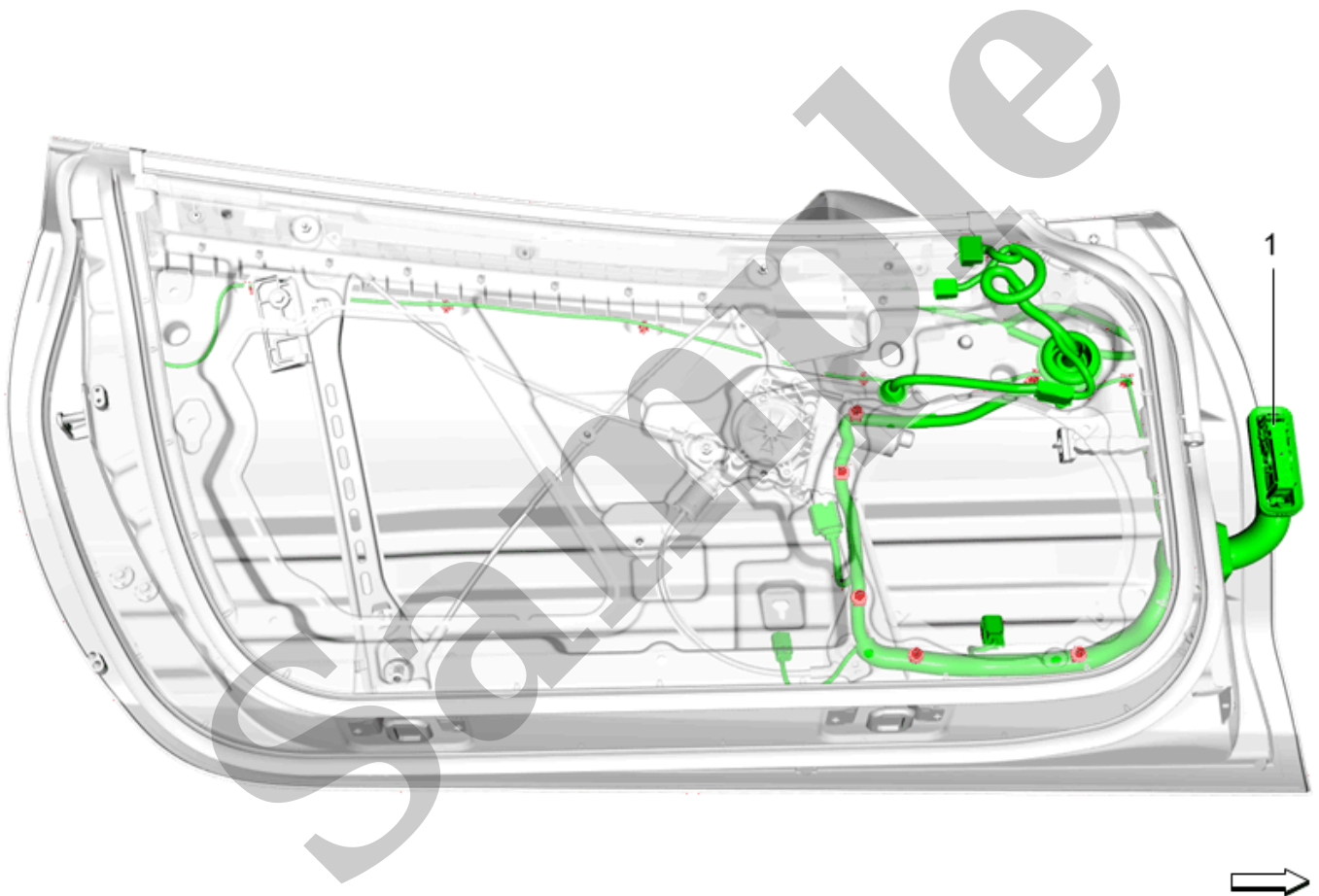
Front Side Door Weatherstrip Replacement

Callout	Component Name
	Preliminary Procedure <ol style="list-style-type: none">1. Open the front side door to the full open position.2. Remove the front side door check link bolt from the body side of vehicle. Refer to Front Side Door Check Link Replacement.

YOUR CURRENT VEHICLE

Front Side Door Wiring Harness Replacement

Front Side Door Wiring Harness Replacement



Front Side Door Wiring Harness Replacement

Callout	Component Name
	Preliminary Procedures <ol style="list-style-type: none">1. Place the door in the full open position.2. Radio Front Side Door Speaker Replacement3. Remove the front side door water deflector.