

Your Ultimate Source for OEM Repair Manuals

FactoryManuals.net is a great resource for anyone who wants to save money on repairs by doing their own work. The manuals provide detailed instructions and diagrams that make it easy to understand how to fix a vehicle.

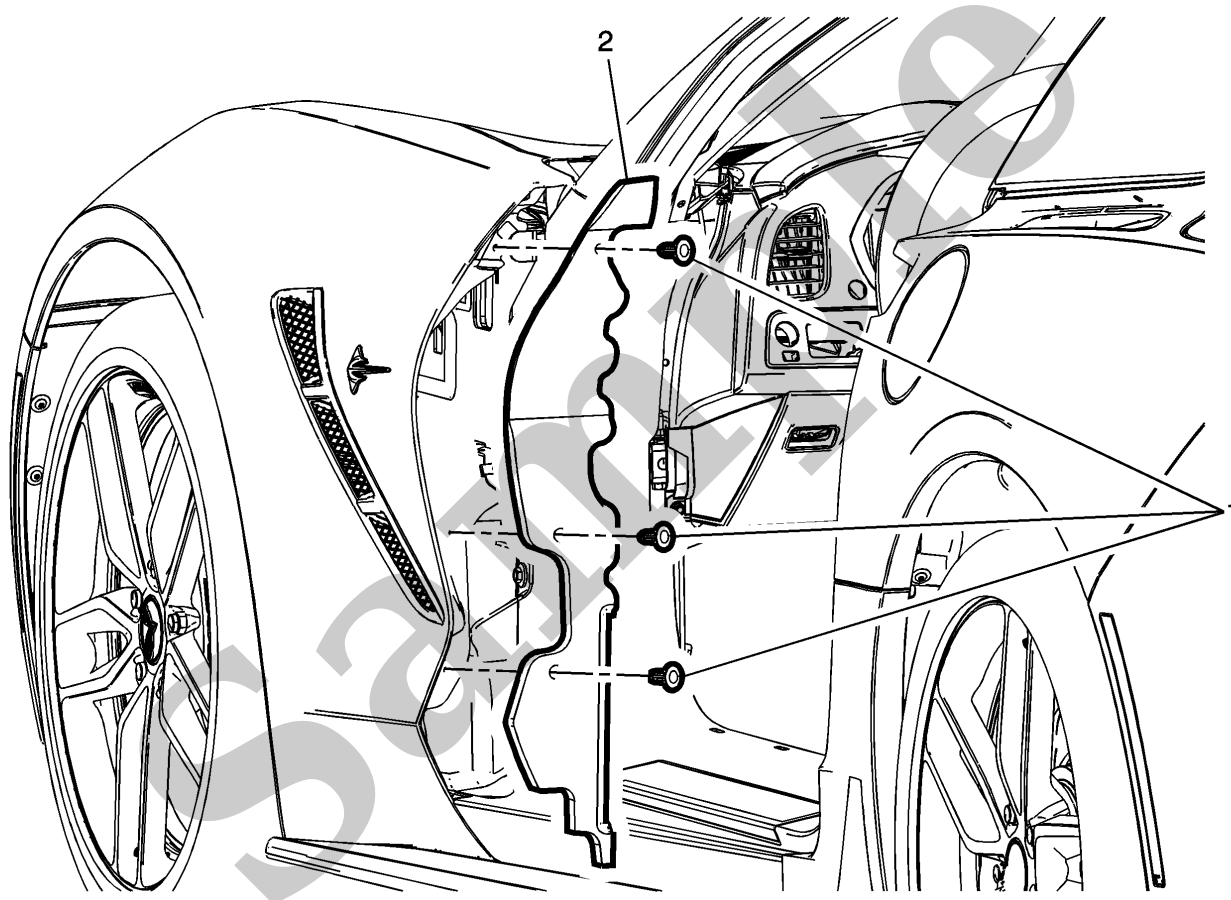
1973 Chevrolet Camaro Service Manual

[Go to manual page](#)

YOUR CURRENT VEHICLE

Front Fender Insulator Replacement

Front Fender Insulator Replacement



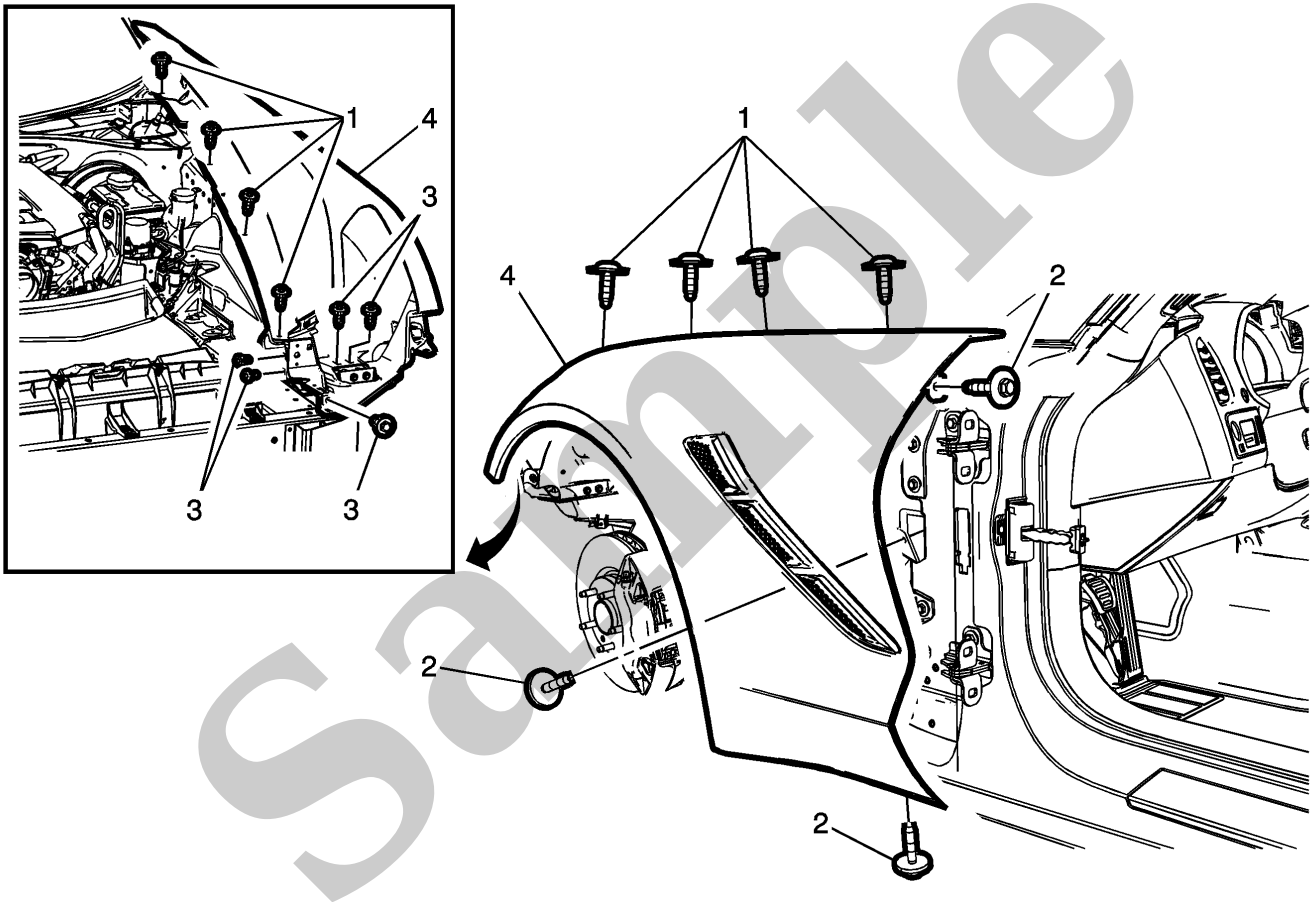
Front Fender Insulator Replacement

Callout	Component Name
Preliminary Procedure Open the right or left hand door.	
1	Front Fender Sound Insulator Plastic Retainers (Qty: 3)

YOUR CURRENT VEHICLE

Front Fender Replacement

Front Fender Replacement



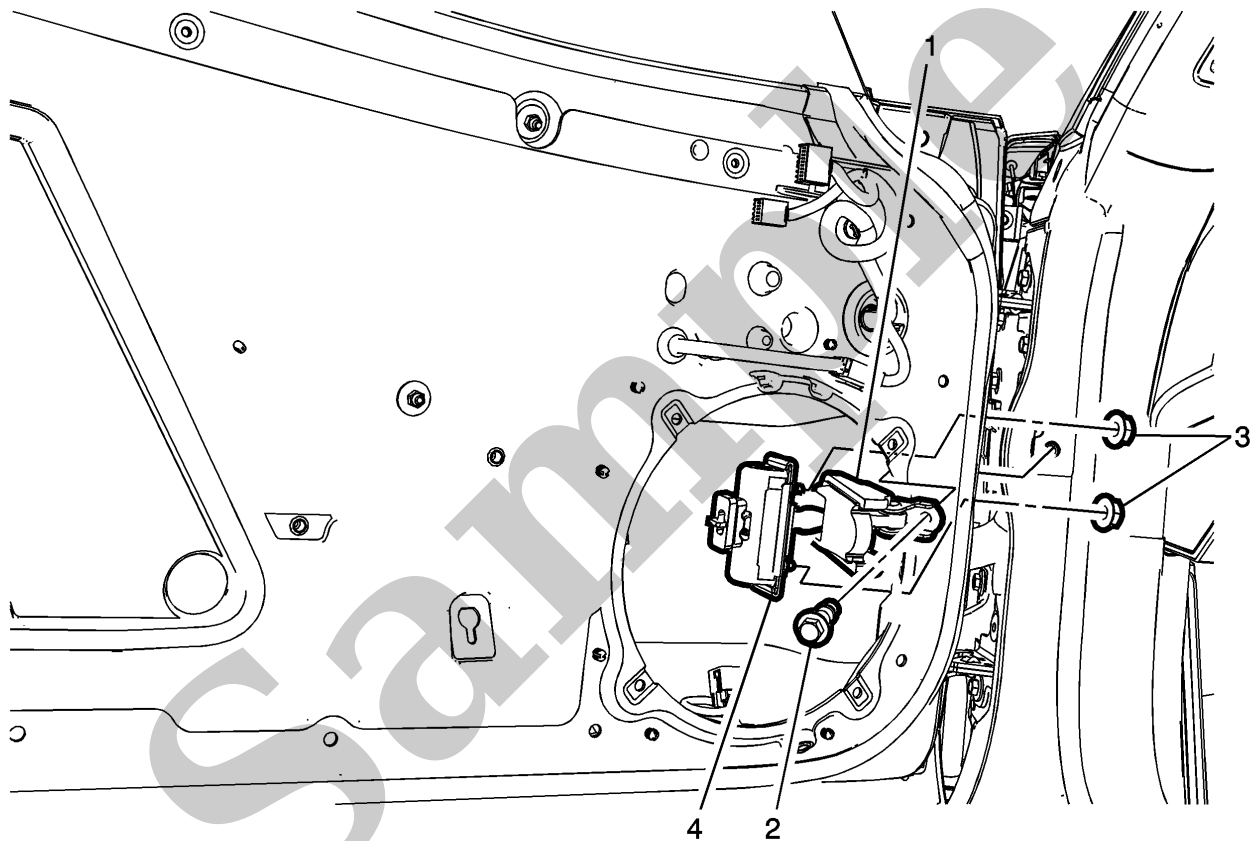
Front Fender Replacement

Callout	Component Name
<p>Preliminary Procedures</p> <ol style="list-style-type: none"> 1. Remove the wheelhouse liner. Refer to Front Wheelhouse Liner Replacement 2. Remove the rocker panel molding. Refer to Rocker Panel Molding Replacement 3. Remove the front headlamp assembly. Refer to Front Headlamp Replacement. 4. Remove the air inlet screen. Refer to Air Inlet Screen Replacement. 	

YOUR CURRENT VEHICLE

Front Side Door Check Link Replacement

Front Side Door Check Link Replacement



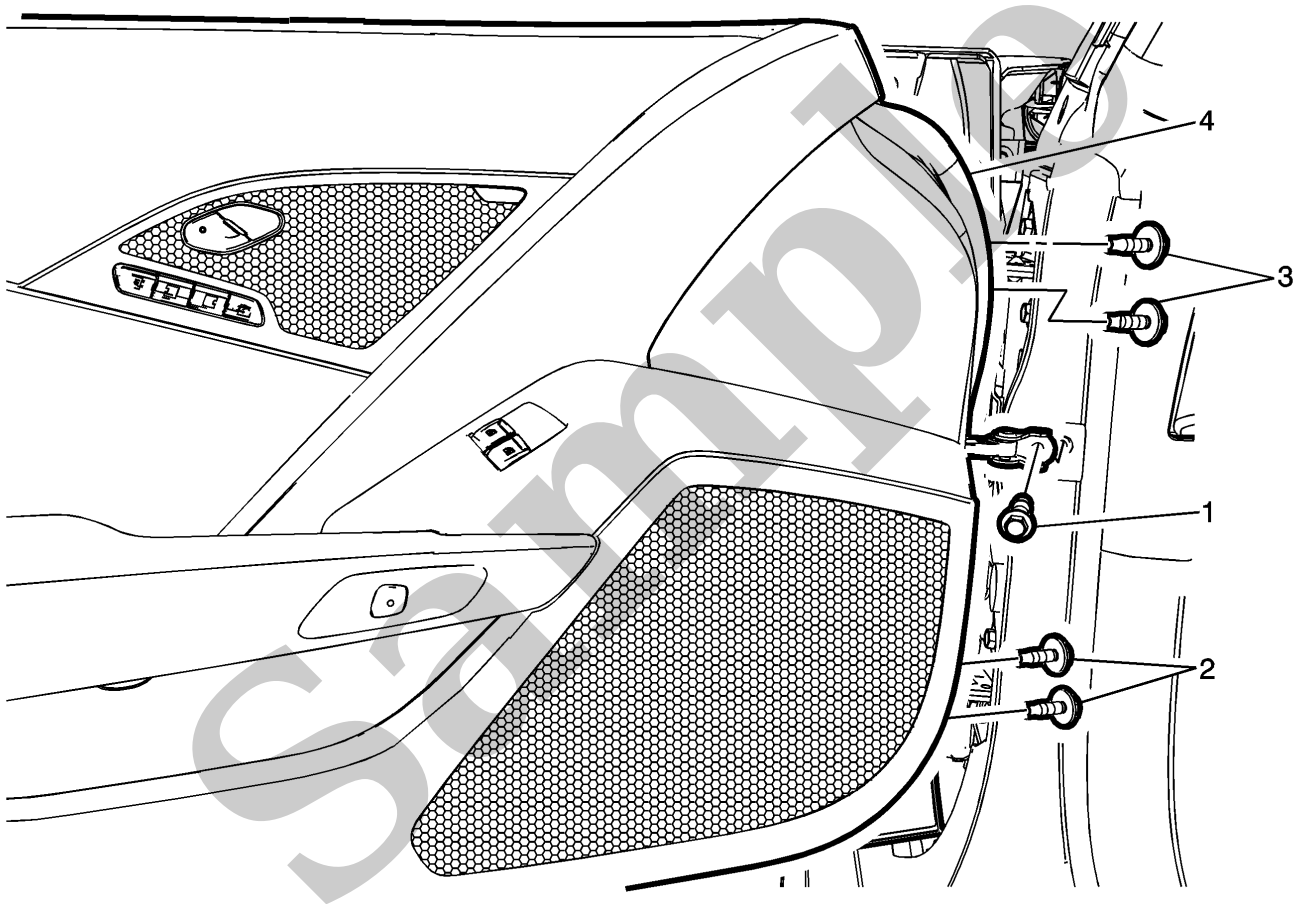
Front Side Door Check Link Replacement

Callout	Component Name
<p>Preliminary Procedure</p> <ol style="list-style-type: none">1. Place the door in the full open position.2. Place the window in the full up position.3. Remove the front side door trim. Refer to Front Side Door Trim Replacement.	

YOUR CURRENT VEHICLE

Front Side Door Replacement

Front Side Door Replacement



Front Side Door Replacement

Callout	Component Name
WARNING	
Warning Refer to SIR Warning .	